



US00D678787S

(12) **United States Design Patent**
Matsumiya et al.

(10) **Patent No.:** **US D678,787 S**
(45) **Date of Patent:** **** Mar. 26, 2013**

(54) **SURFACE-ROUGHNESS MEASURING PROBE**

(75) Inventors: **Sadayuki Matsumiya**, Kawasaki (JP);
Kotaro Hirano, Kawasaki (JP); **Shigeru Ohtani**,
Kawasaki (JP); **Kenji Iwamoto**,
Kawasaki (JP)

(73) Assignee: **Mitutoyo Corporation**, Kawasaki-Shi
(JP)

(**) Term: **14 Years**

(21) Appl. No.: **29/407,200**

(22) Filed: **Nov. 23, 2011**

(30) **Foreign Application Priority Data**

Sep. 27, 2011 (JP) 2011-022070

(51) **LOC (9) Cl.** **10-04**

(52) **U.S. Cl.** **D10/70**

(58) **Field of Classification Search** D10/70;
356/237.2, 446, 600; 33/503, 556, 561, 558,
33/559

See application file for complete search history.

(56) **References Cited**

U.S. PATENT DOCUMENTS

D614,053 S * 4/2010 Matsumiya et al. D10/70

* cited by examiner

Primary Examiner — Antoine D Davis

(74) *Attorney, Agent, or Firm* — Oliff & Berridge, PLC

(57) **CLAIM**

We claim the ornamental design for a surface-roughness measuring probe, as shown and described.

DESCRIPTION

FIG. 1 is a front perspective view of a surface-roughness measuring probe, showing our new design;
FIG. 2 is a rear perspective view thereof;
FIG. 3 is a front view thereof, the rear view being a mirror image thereof;
FIG. 4 is a left-side view thereof;
FIG. 5 is a right-side view thereof;
FIG. 6 is a top view thereof; and,
FIG. 7 is a bottom view thereof.

1 Claim, 7 Drawing Sheets

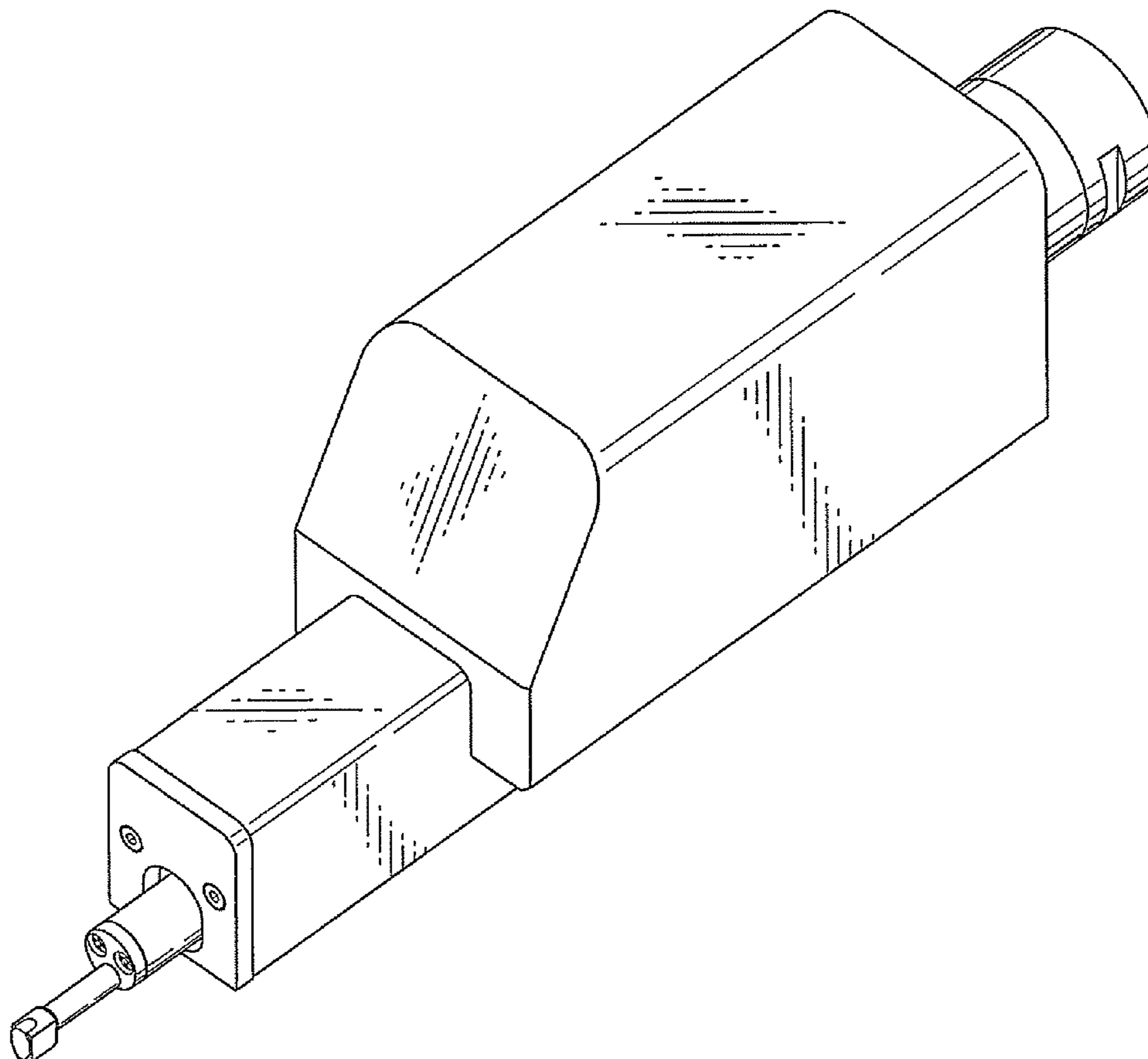


FIG. 1

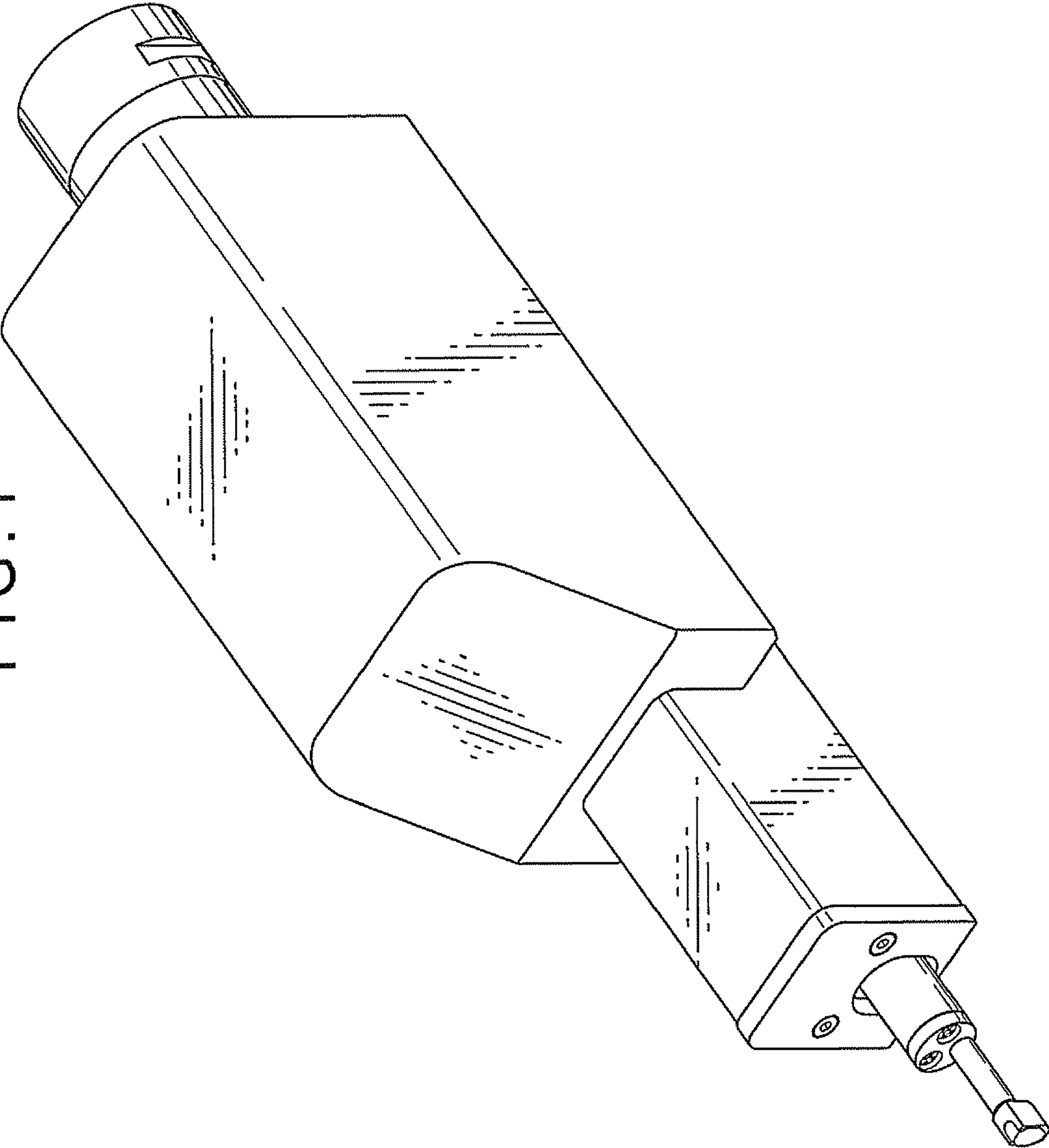


FIG. 2

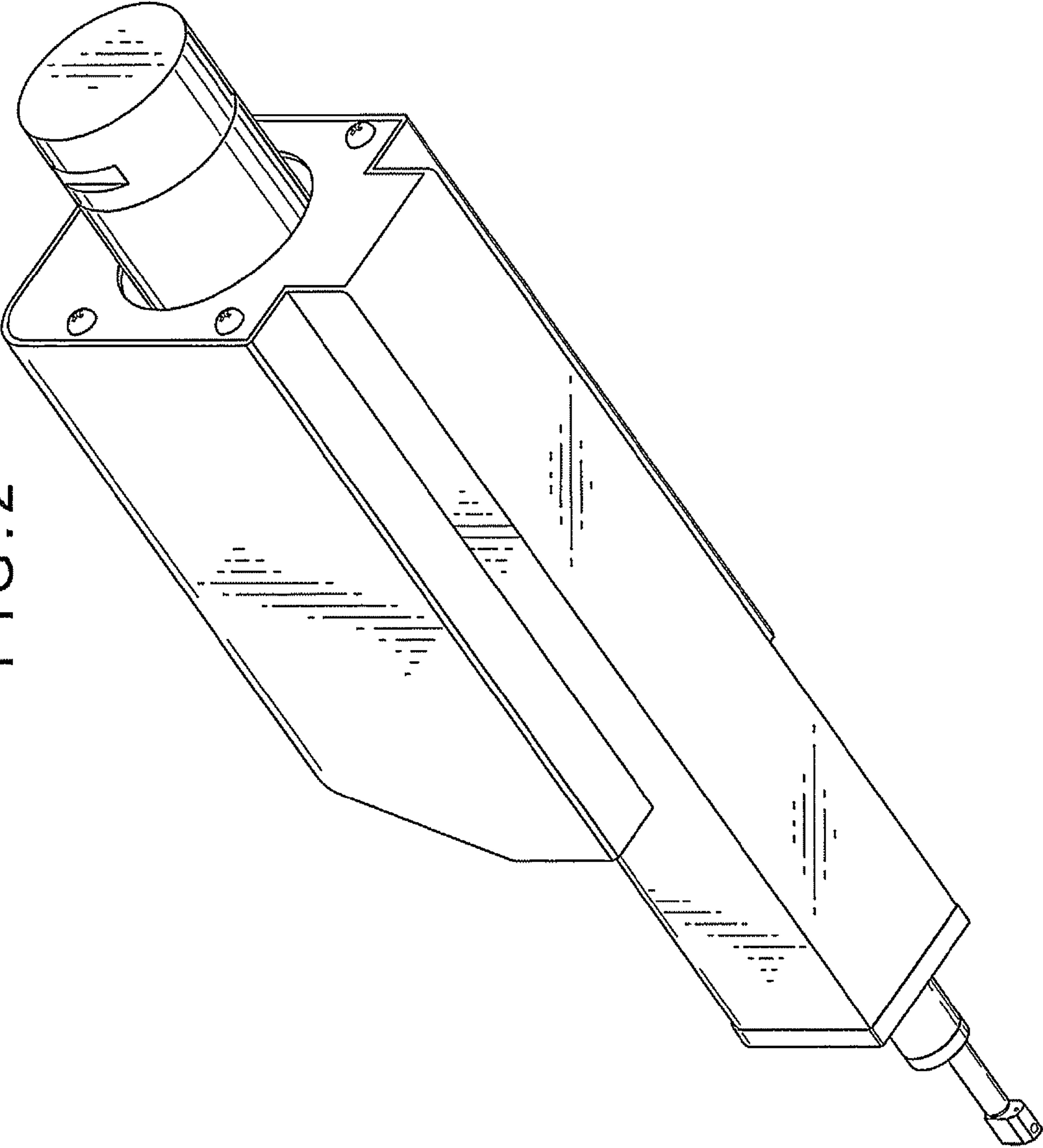


FIG. 3

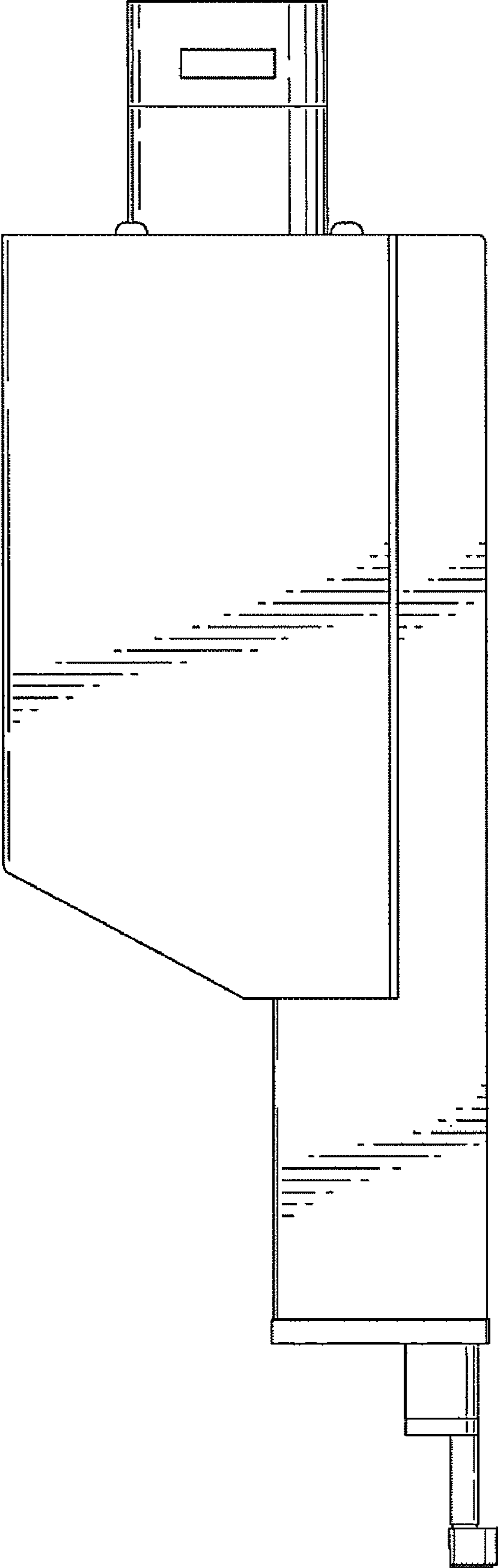


FIG. 4

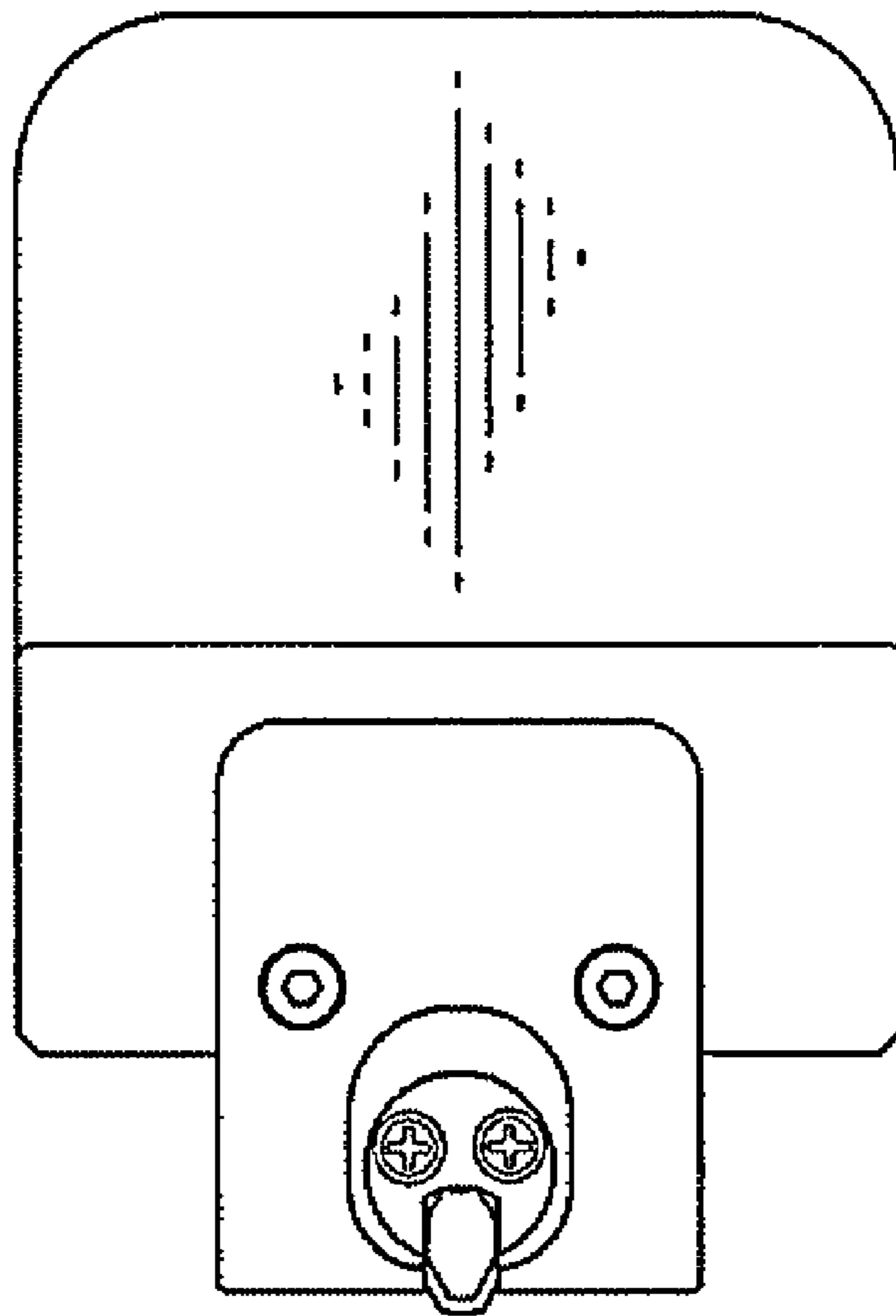


FIG. 5

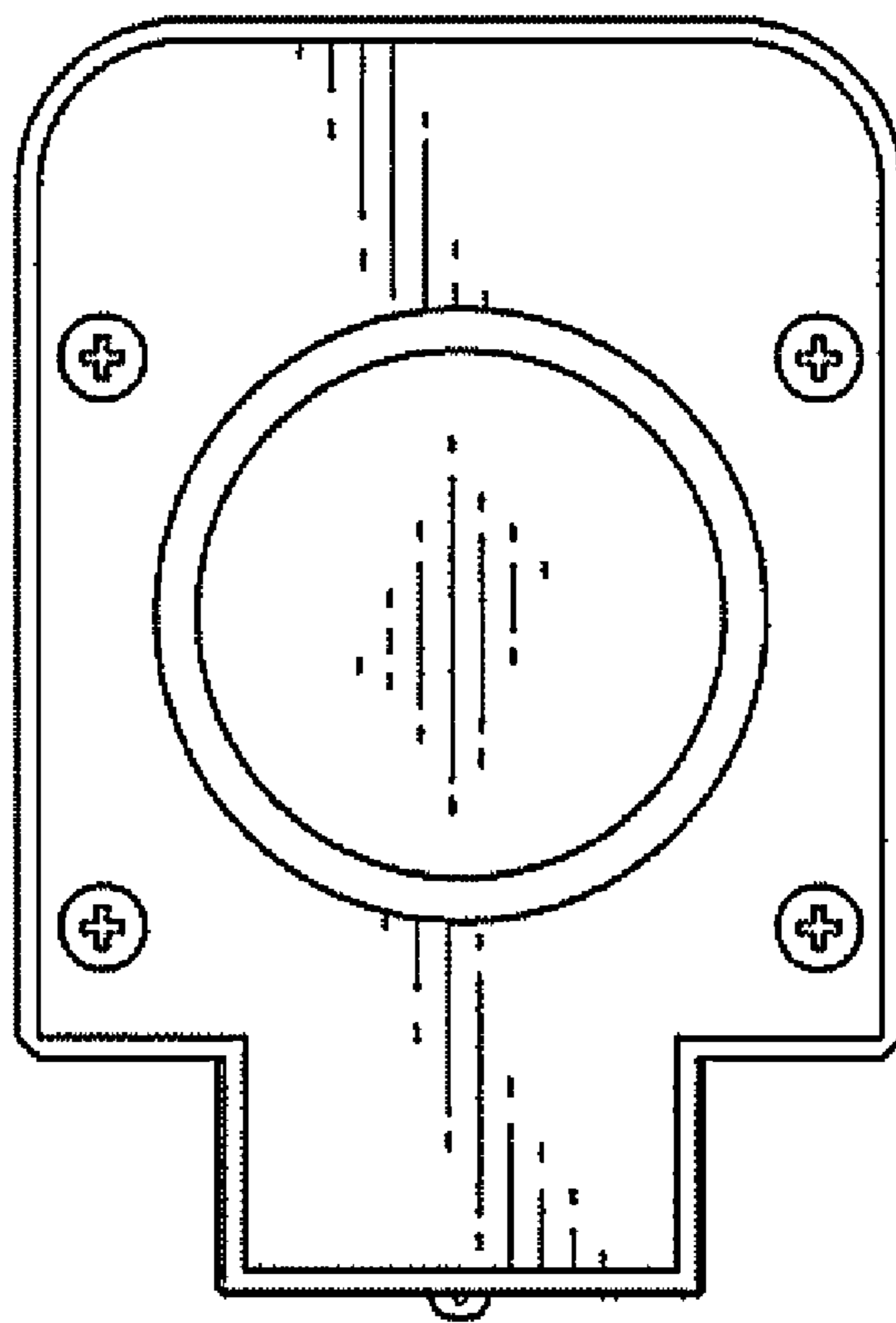


FIG. 6

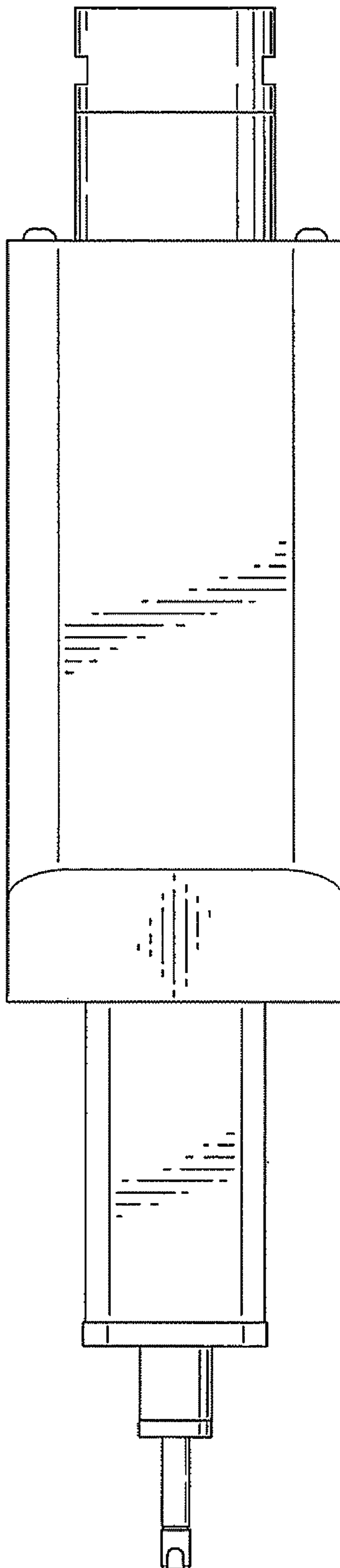


FIG. 7

