



US00D678780S

(12) **United States Design Patent**
Macleod Jones

(10) **Patent No.:** **US D678,780 S**
(45) **Date of Patent:** **** Mar. 26, 2013**

(54) **COMBINED SHAMPOO AND FACIAL
CLEANSER DISPENSER**

(76) Inventor: **Shelley Macleod Jones, Toronto (CA)**

(**) Term: **14 Years**

(21) Appl. No.: **29/405,524**

(22) Filed: **Nov. 3, 2011**

(51) **LOC (9) Cl.** **09-01**

(52) **U.S. Cl.** **D9/624; D9/668; D9/563; D9/564;
D9/573; D9/574**

(58) **Field of Classification Search** **D7/514-515,
D7/613, 619.2, 901; D9/600, 624, 652, 672,
D9/668, 516, 519, 544-545, 549-551, 563-564,
D9/572-574; 206/457, 527, 540; 220/890**
See application file for complete search history.

(56) **References Cited**

U.S. PATENT DOCUMENTS

D99,648 S *	5/1936	Mulhens	D9/545
D213,762 S *	4/1969	Weckman	D9/672
3,968,218 A	7/1976	Bouillon et al.		
D259,095 S *	5/1981	Benedict	D9/525
D278,209 S	4/1985	Dinand		
D315,501 S *	3/1991	Durand	D9/564
5,059,414 A	10/1991	Dallal et al.		
D329,326 S *	9/1992	Sheehy et al.	D9/563
D407,320 S *	3/1999	Costen et al.	D9/564

D430,796 S *	9/2000	Miller	D9/672
6,566,313 B1	5/2003	Hohenstein et al.		
D508,754 S	8/2005	Haywood		
D546,692 S *	7/2007	Verburg	D9/551
D568,759 S *	5/2008	Jones	D9/672
D581,288 S *	11/2008	Villalobos	D9/668
D583,251 S *	12/2008	Morrison	D9/672
D590,269 S *	4/2009	Pavone	D9/572
7,531,497 B2	5/2009	Midha et al.		
D597,848 S *	8/2009	Petzold	D9/545
D618,557 S *	6/2010	Jin et al.	D9/545
2002/0122772 A1	9/2002	Lukenbach et al.		

* cited by examiner

Primary Examiner — Sandra Morris

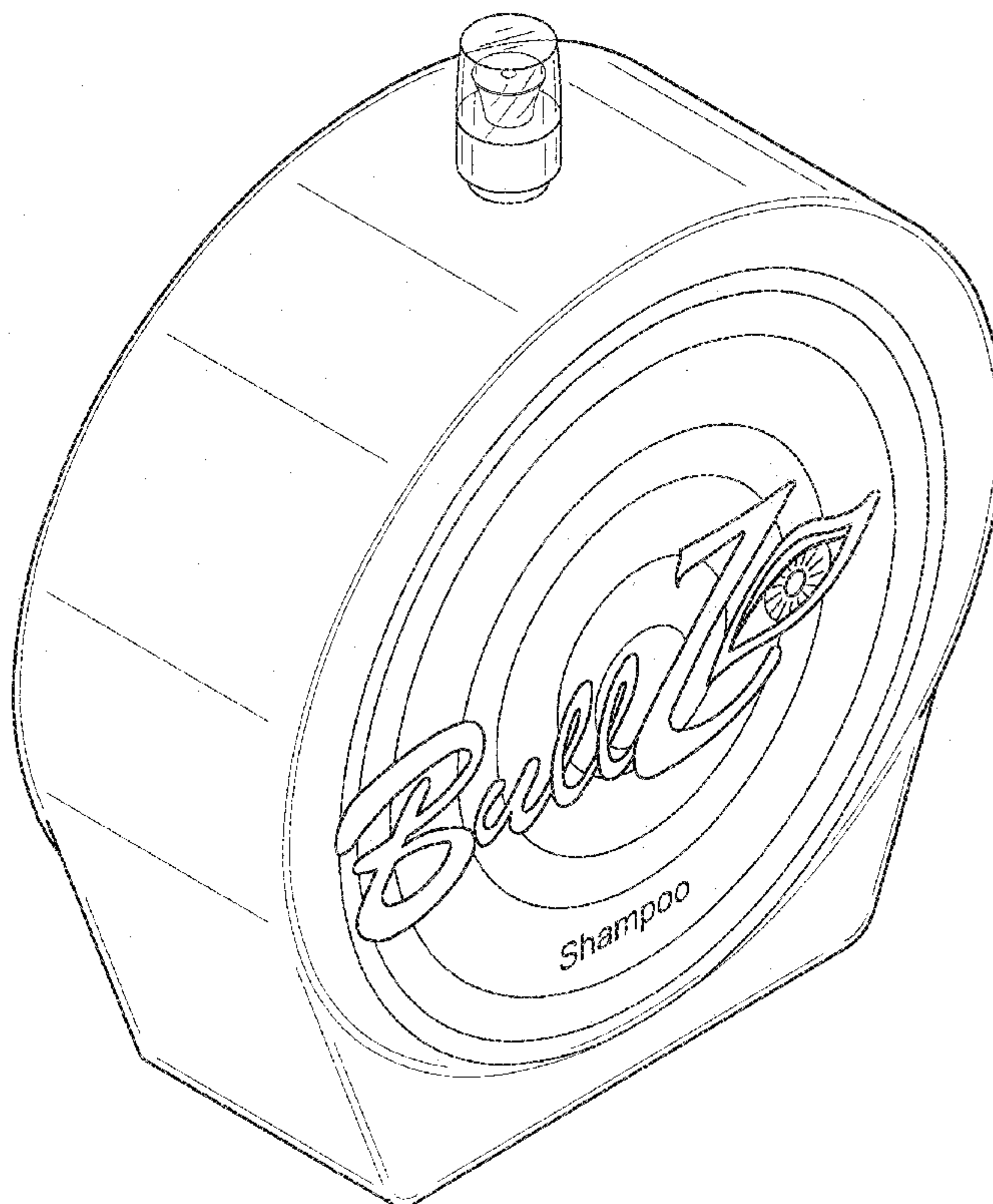
(57) **CLAIM**

The ornamental design for a combined shampoo and facial cleanser dispenser, as shown and described.

DESCRIPTION

FIG. 1 is a perspective view of a combined shampoo and facial cleanser dispenser showing my new design;
FIG. 2 is a front view thereof;
FIG. 3 is a back view thereof;
FIG. 4 is a side view (opposite side view is mirror image) thereof;
FIG. 5 is a top view thereof;
FIG. 6 is a bottom view thereof; and,
FIG. 7 is a cross-sectional view of FIG. 3.

1 Claim, 6 Drawing Sheets



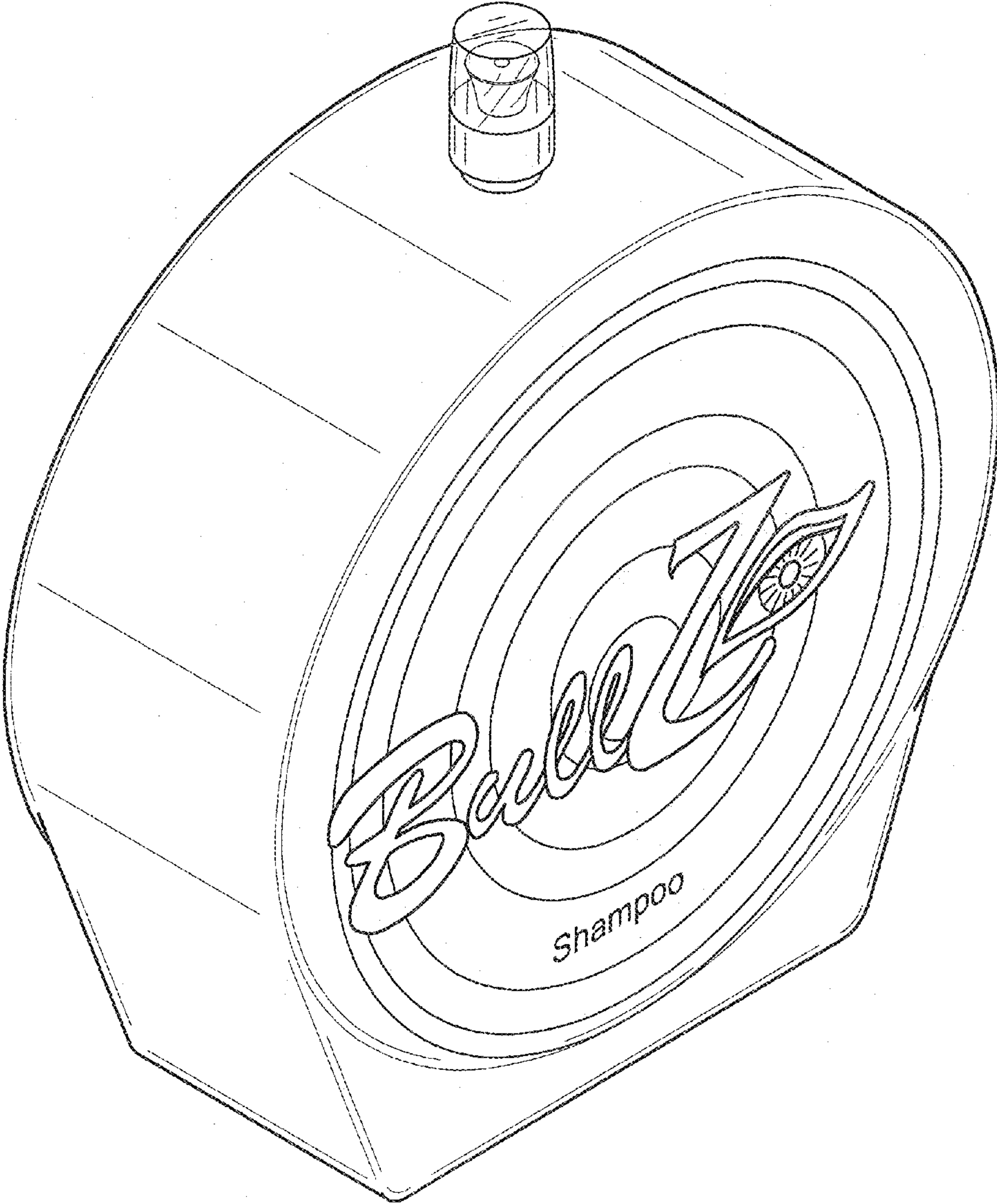


FIG. 1



FIG. 2

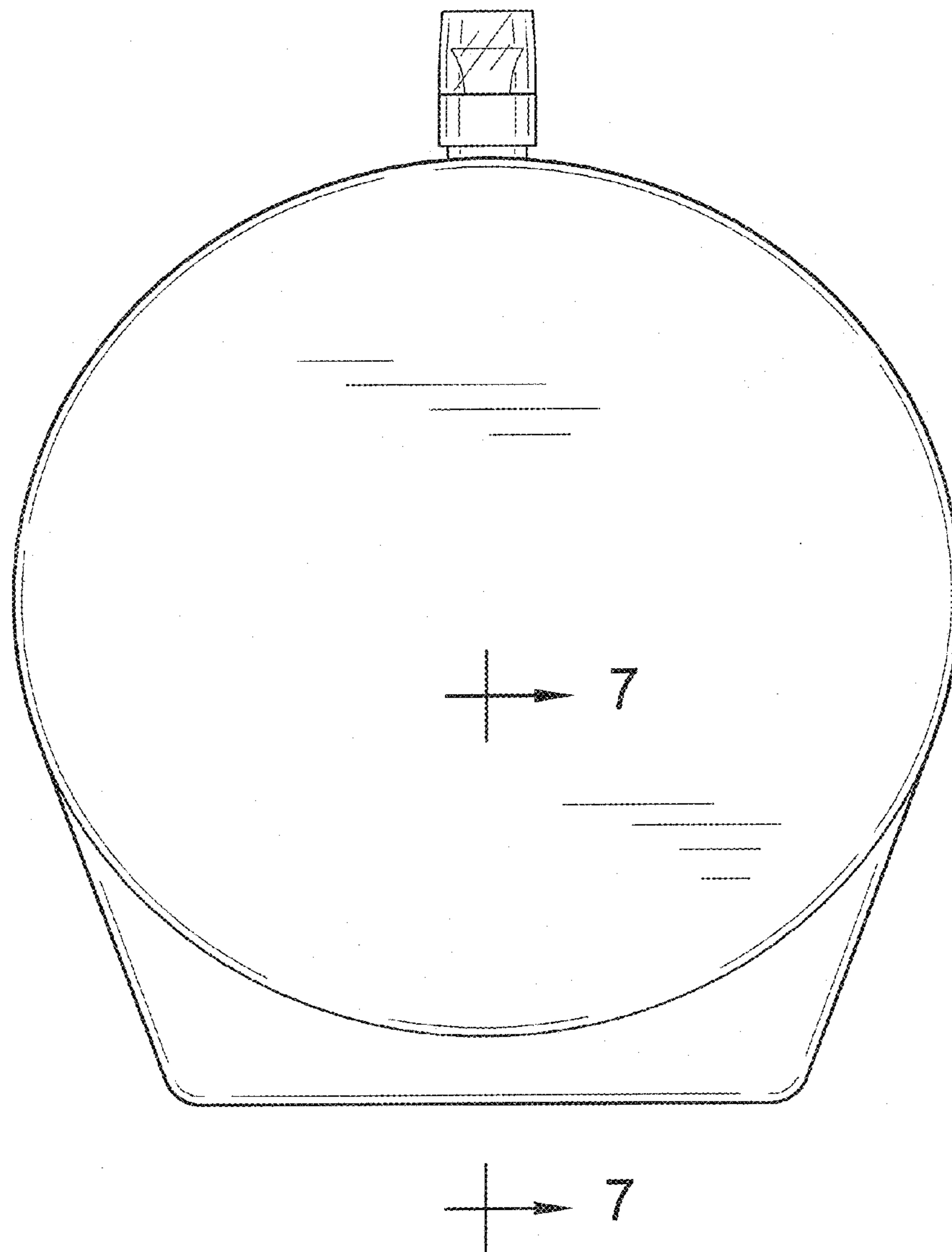


FIG. 3

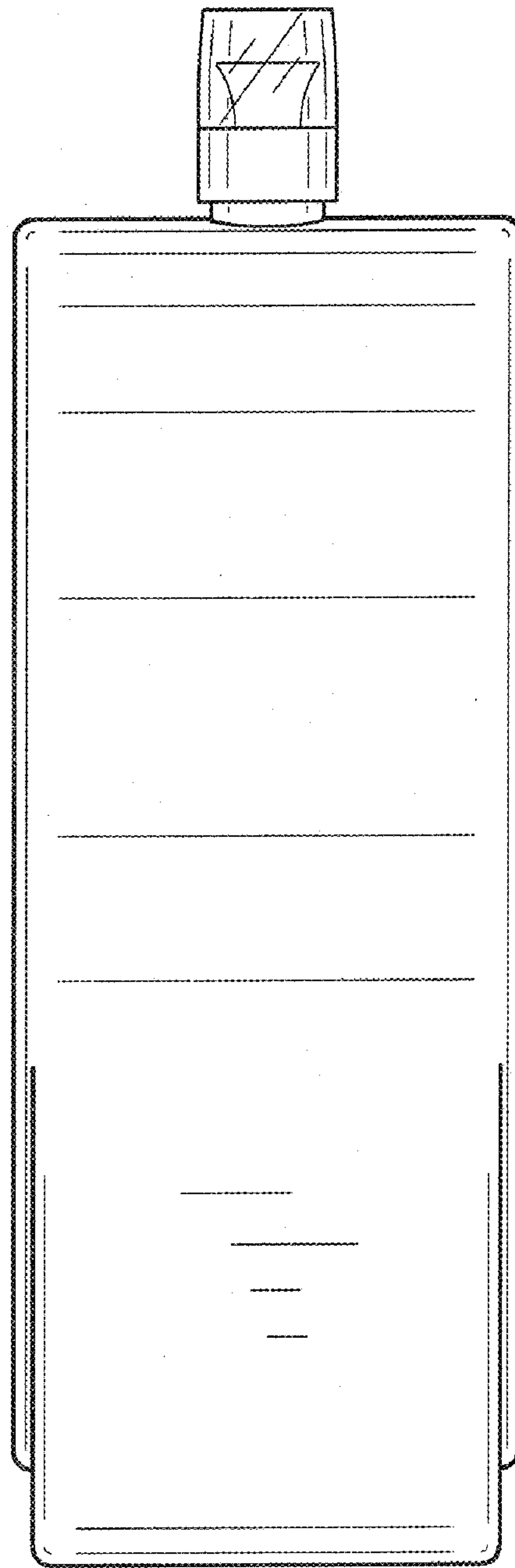


FIG. 4

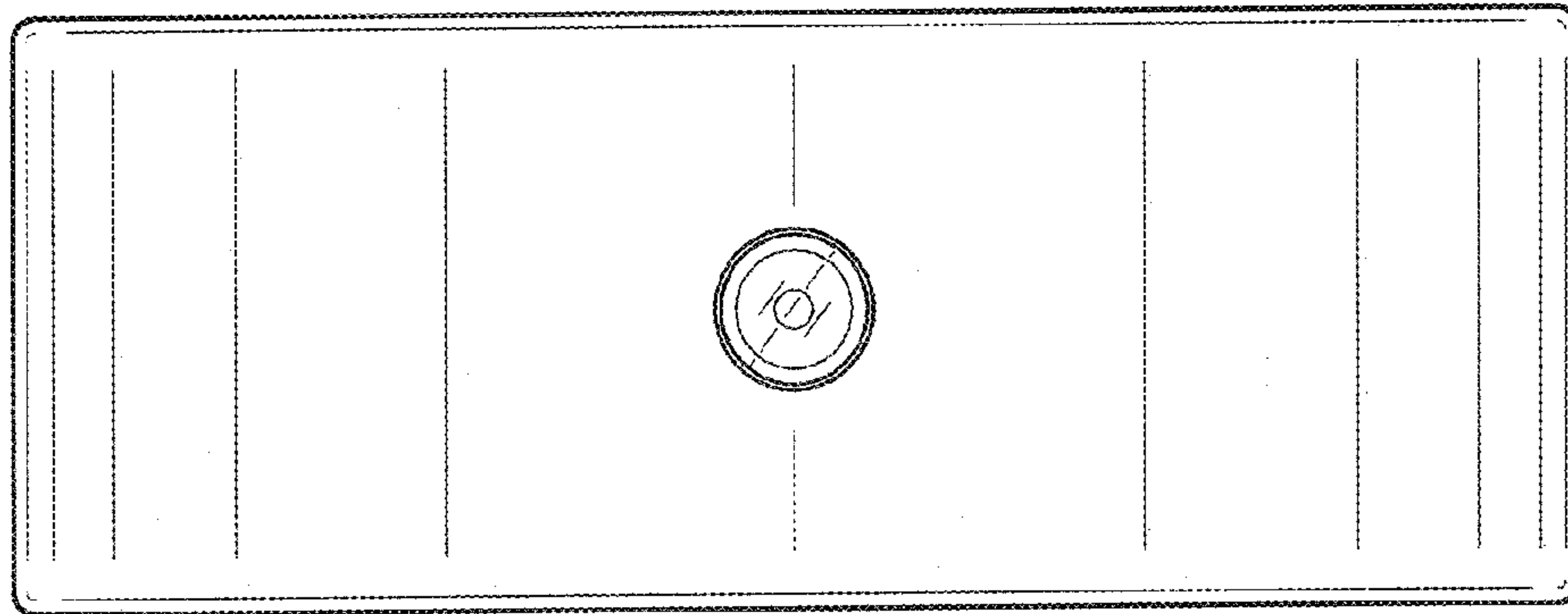


FIG. 5

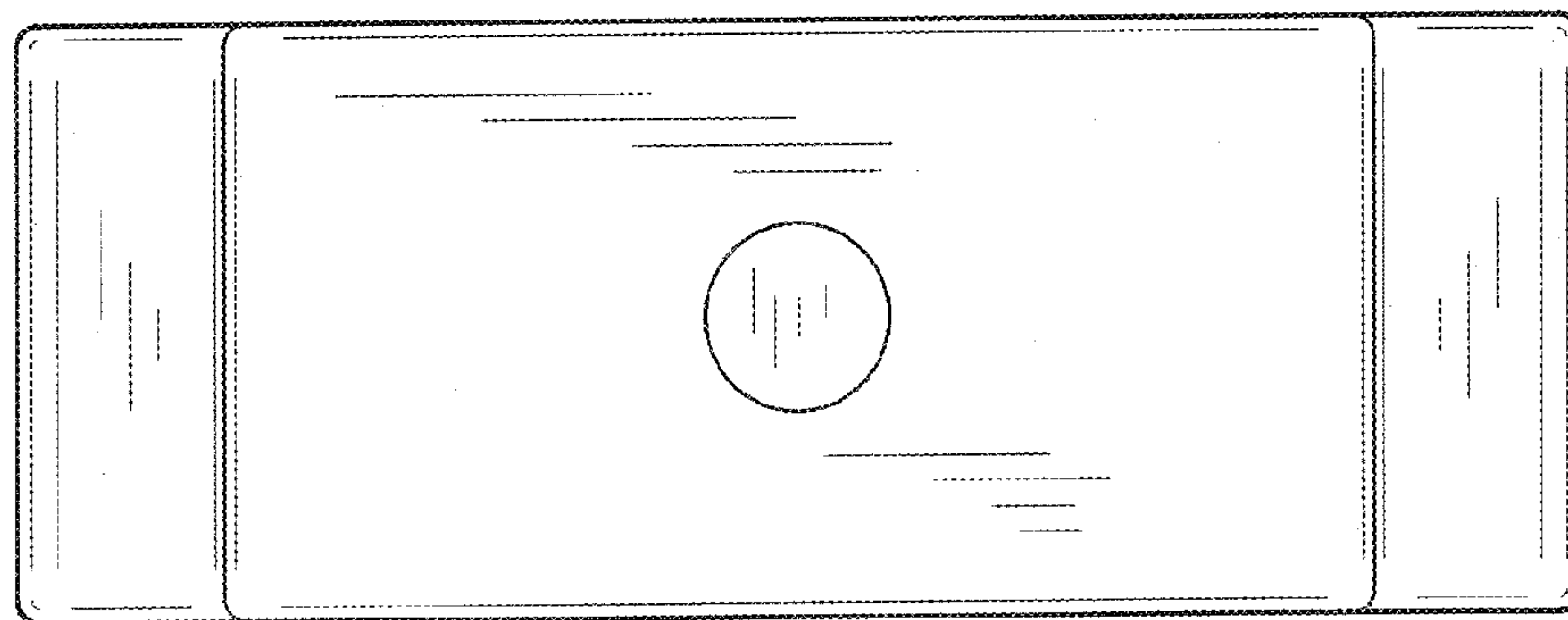


FIG. 6

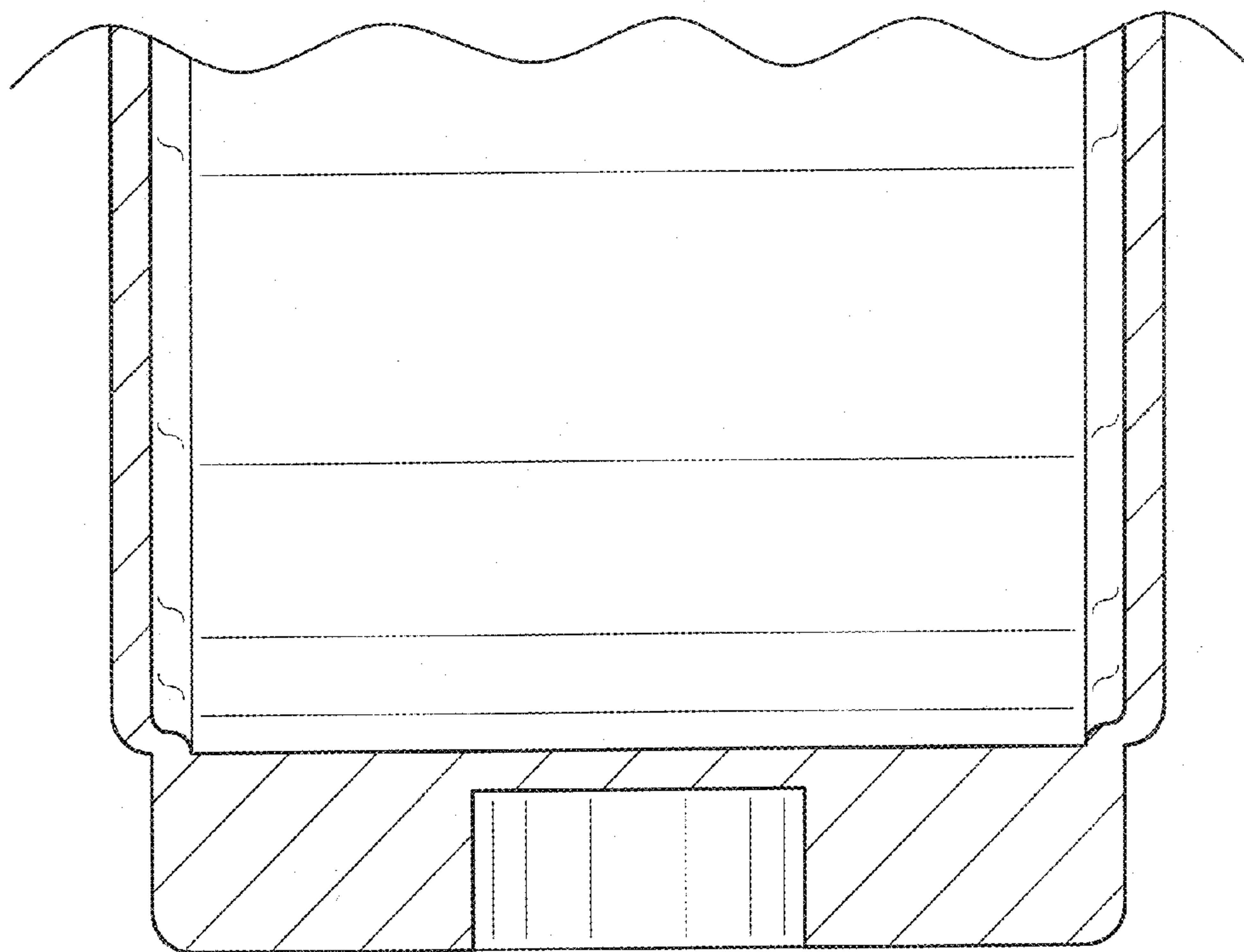


FIG. 7