



US00D678776S

(12) **United States Design Patent**
Lecetre et al.

(10) **Patent No.:** **US D678,776 S**
(45) **Date of Patent:** **** Mar. 26, 2013**

- (54) **FLASK**
- (75) Inventors: **Catherine Lecetre**, Feuquieres (FR);
Christophe Blond, Feuquieres (FR)
- (73) Assignee: **Saverglass Inc.**, Ramsey, NJ (US)
- (**) Term: **14 Years**
- (21) Appl. No.: **29/404,348**
- (22) Filed: **Oct. 19, 2011**
- (51) **LOC (9) Cl.** **09-01**
- (52) **U.S. Cl.** **D9/573**; D9/544; D9/574
- (58) **Field of Classification Search** D9/682,
D9/694, 516, 529-530, 542, 544, 546, 559-560,
D9/571-575; 215/381-385
See application file for complete search history.

- D392,897 S * 3/1998 Biesecker et al. D9/571
- D420,596 S * 2/2000 Maddy D9/560
- D485,165 S * 1/2004 Sgariboldi D9/694
- D522,872 S * 6/2006 Lascaux D9/574 X
- D531,911 S * 11/2006 Lloyd D9/546
- D537,352 S 2/2007 Spiegel
- D553,004 S * 10/2007 Krakoff D9/694
- D602,787 S 10/2009 Gaultier
- D612,259 S * 3/2010 Legros D9/573 X
- D632,969 S * 2/2011 Monteparo et al. D9/575 X
- D633,806 S * 3/2011 Lecoule D9/559
- D655,612 S * 3/2012 Oge-Nichols D9/559
- D664,039 S * 7/2012 Monteparo et al. D9/560 X

* cited by examiner

Primary Examiner — Carol P Rademaker

(74) *Attorney, Agent, or Firm* — Birch, Stewart, Kolasch & Birch, LLP

(57) **CLAIM**

The ornamental design for a flask, as shown and described.

DESCRIPTION

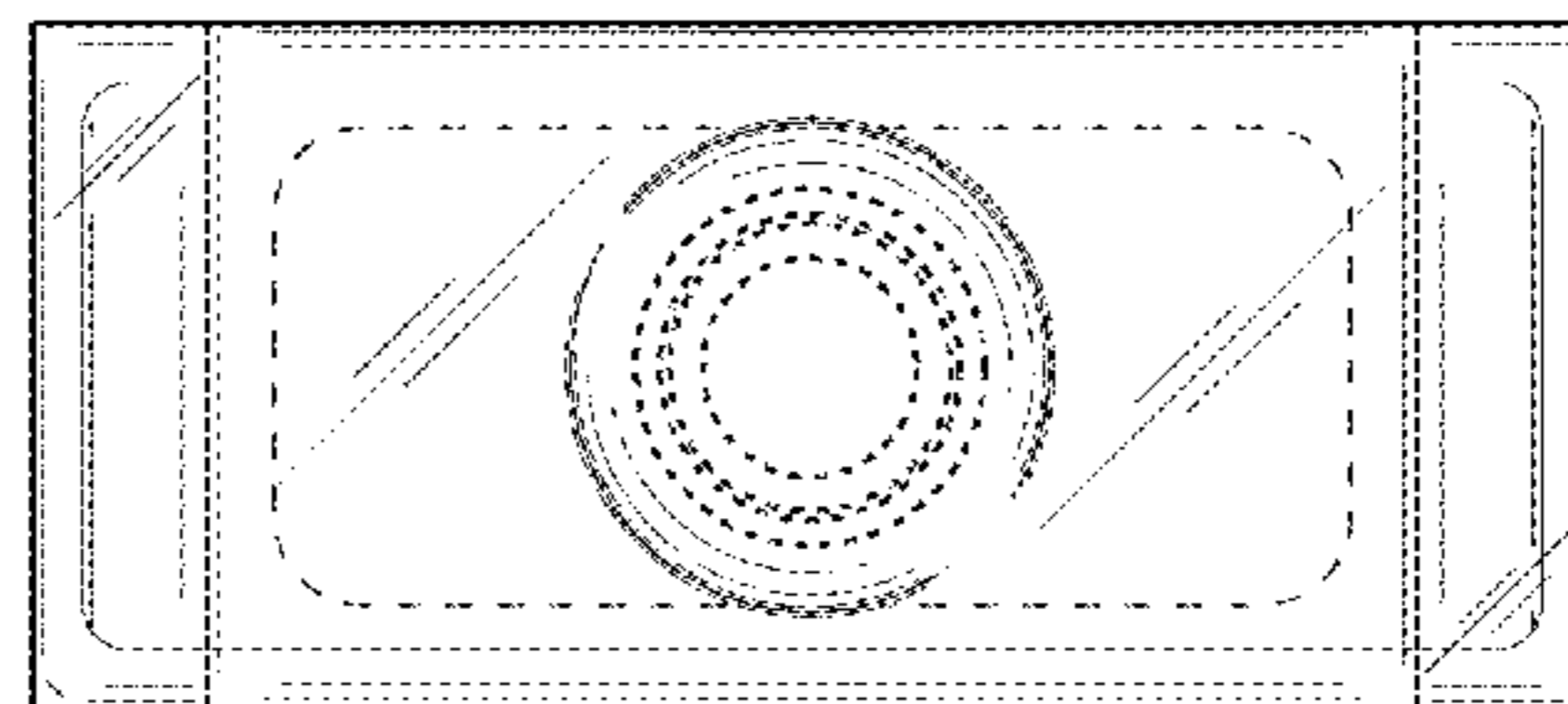
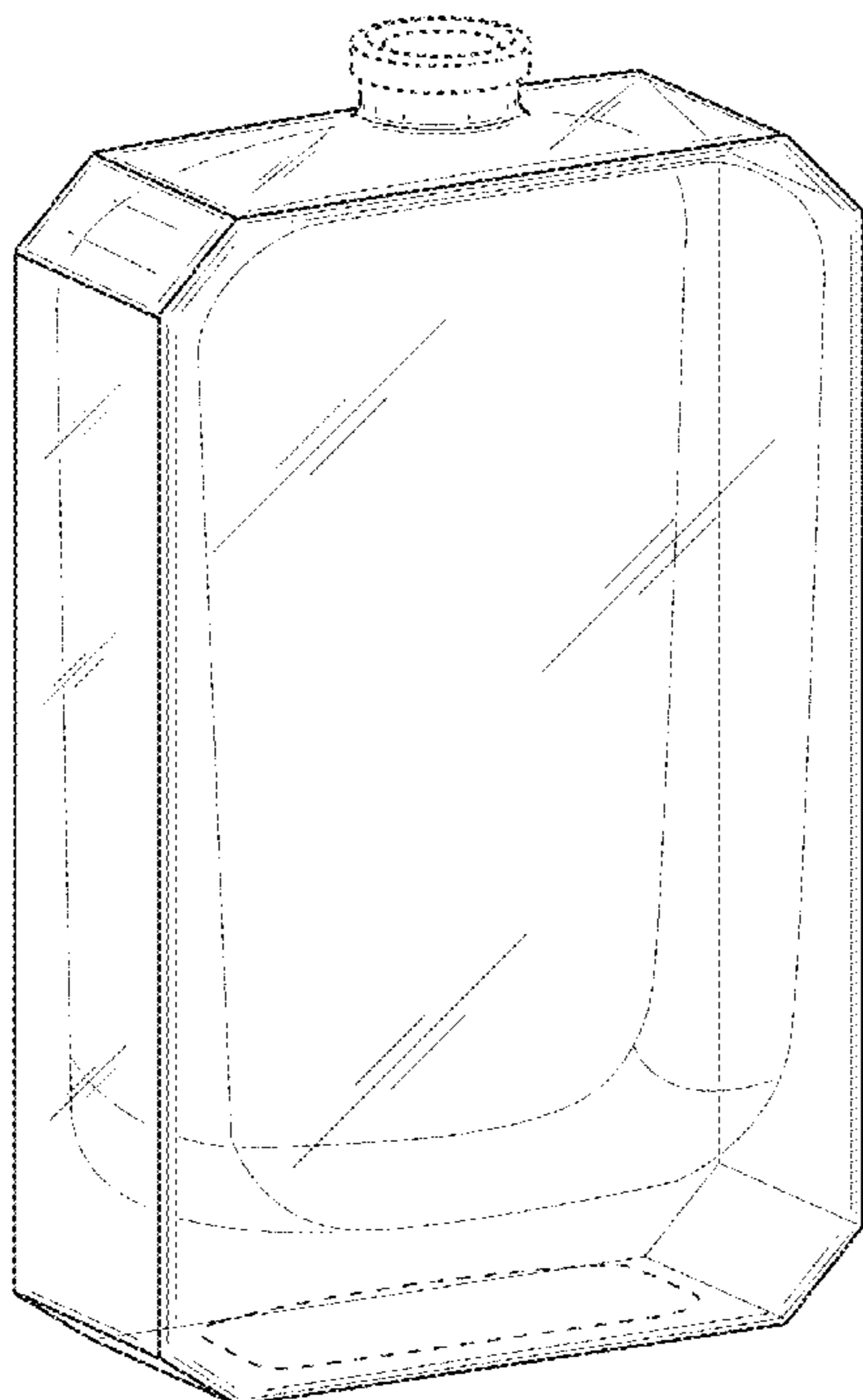
FIG. 1 is a front, left perspective view of the flask showing my new design;
 FIG. 2 is a front view thereof, the rear view being a mirror image thereof;
 FIG. 3 is a left side view thereof, the right side view being a mirror image thereof;
 FIG. 4 is a top plan view thereof; and,
 FIG. 5 is a bottom plan view thereof.
 The broken lines shown in the drawings are included for the purpose of illustrating environmental structure and form no part of the claimed design.

1 Claim, 4 Drawing Sheets

(56) **References Cited**

U.S. PATENT DOCUMENTS

- D24,579 S * 8/1895 Lowrey D9/544
- D76,291 S * 9/1928 D'Escayrac D9/544
- D143,657 S * 1/1946 Graham D9/573 X
- D152,473 S * 1/1949 Heim D9/544 X
- D214,877 S * 8/1969 Biallo D9/529
- D252,737 S * 8/1979 Grodin D9/573
- D254,653 S * 4/1980 Grodin D9/544
- D260,367 S * 8/1981 Grip D9/571
- D260,610 S * 9/1981 Grip D9/571
- D278,515 S * 4/1985 Adams et al. D9/573
- D284,836 S * 7/1986 Biesecker D9/572
- D333,269 S * 2/1993 Albright et al. D9/544
- D364,348 S * 11/1995 Sgariboldi D9/573 X
- D381,275 S * 7/1997 Lecoule D9/572



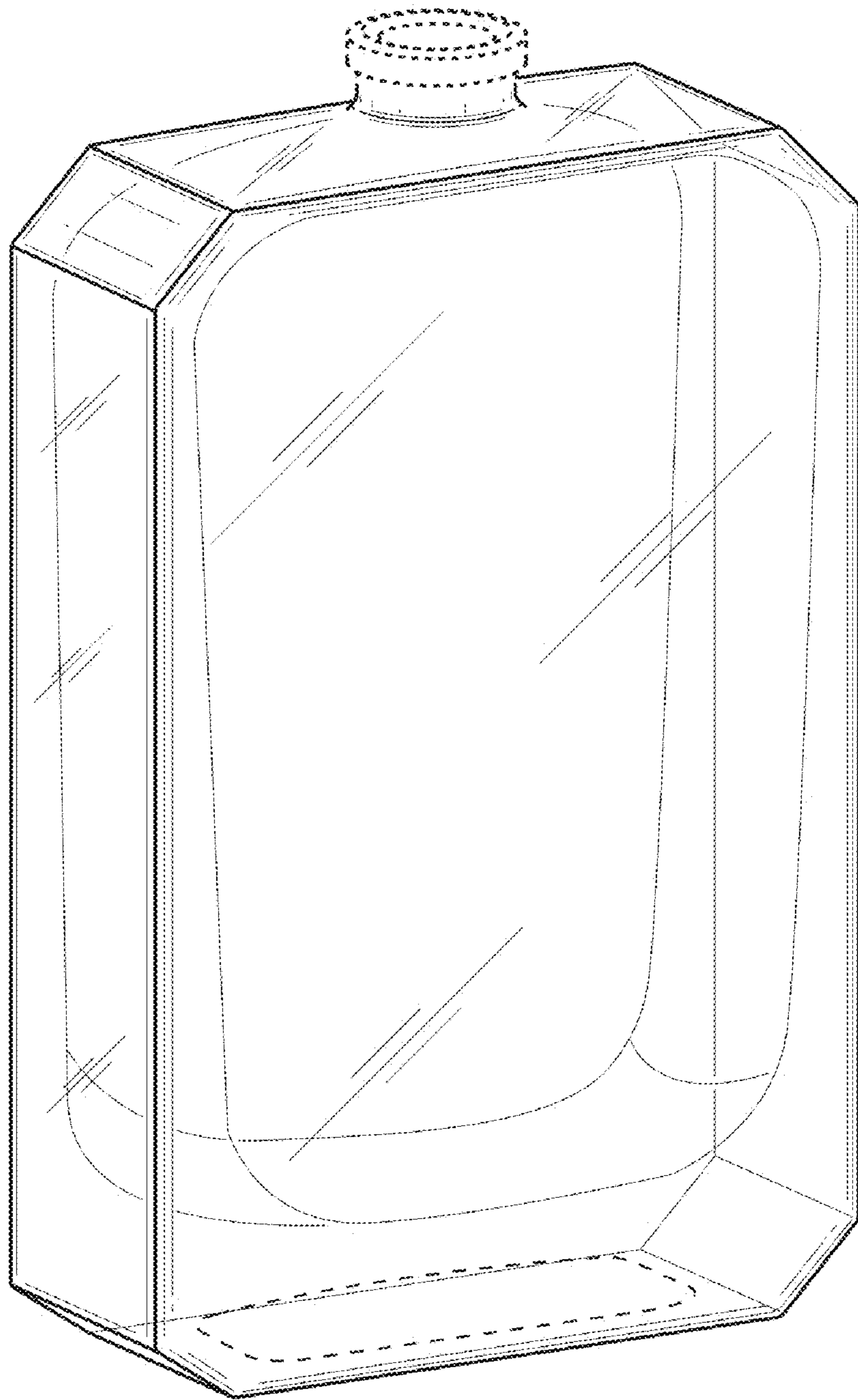


FIG. 1

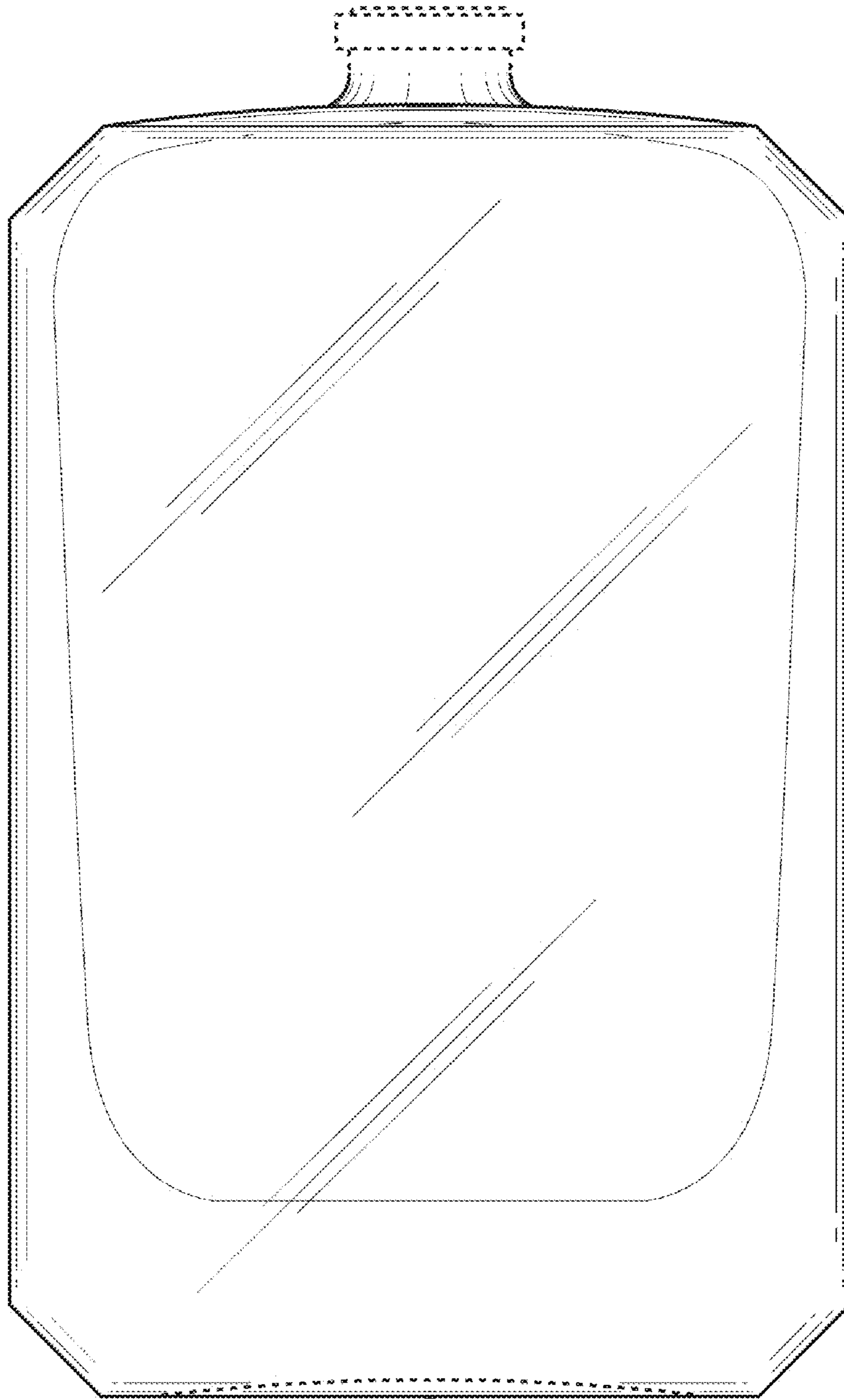


FIG. 2

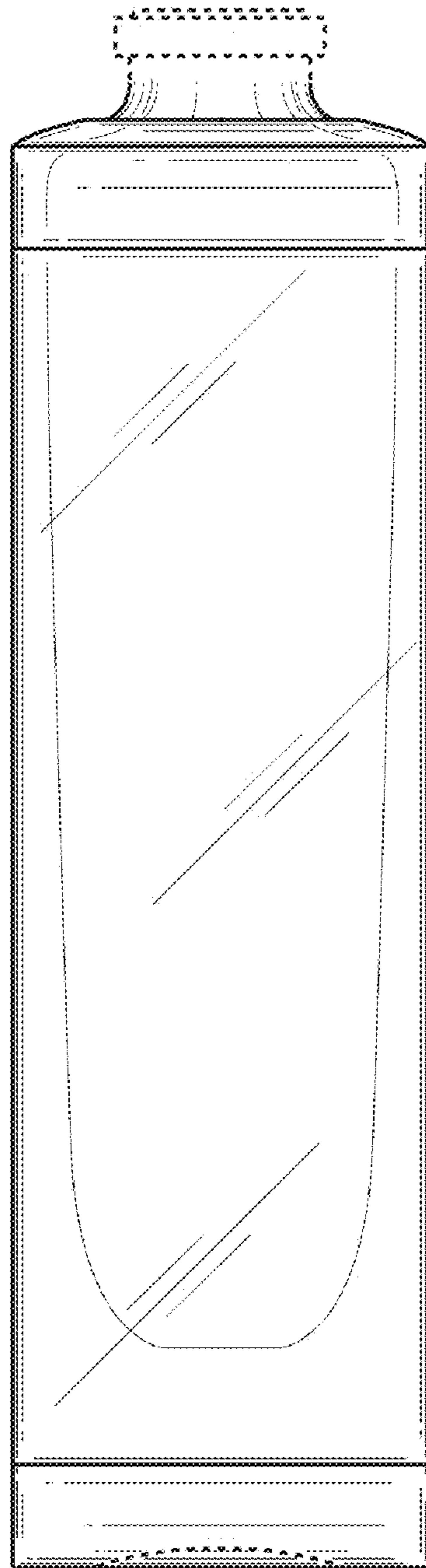


FIG. 3

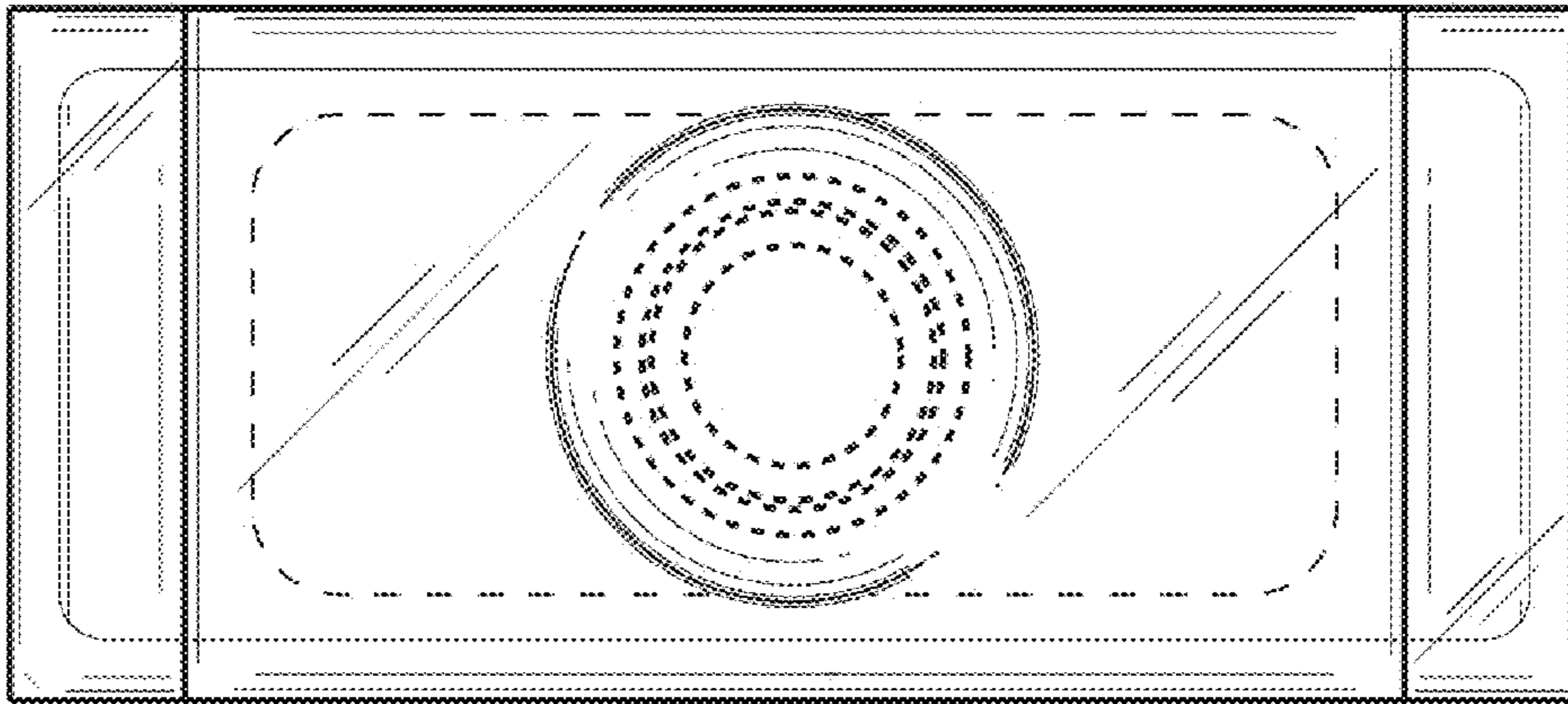


FIG. 4

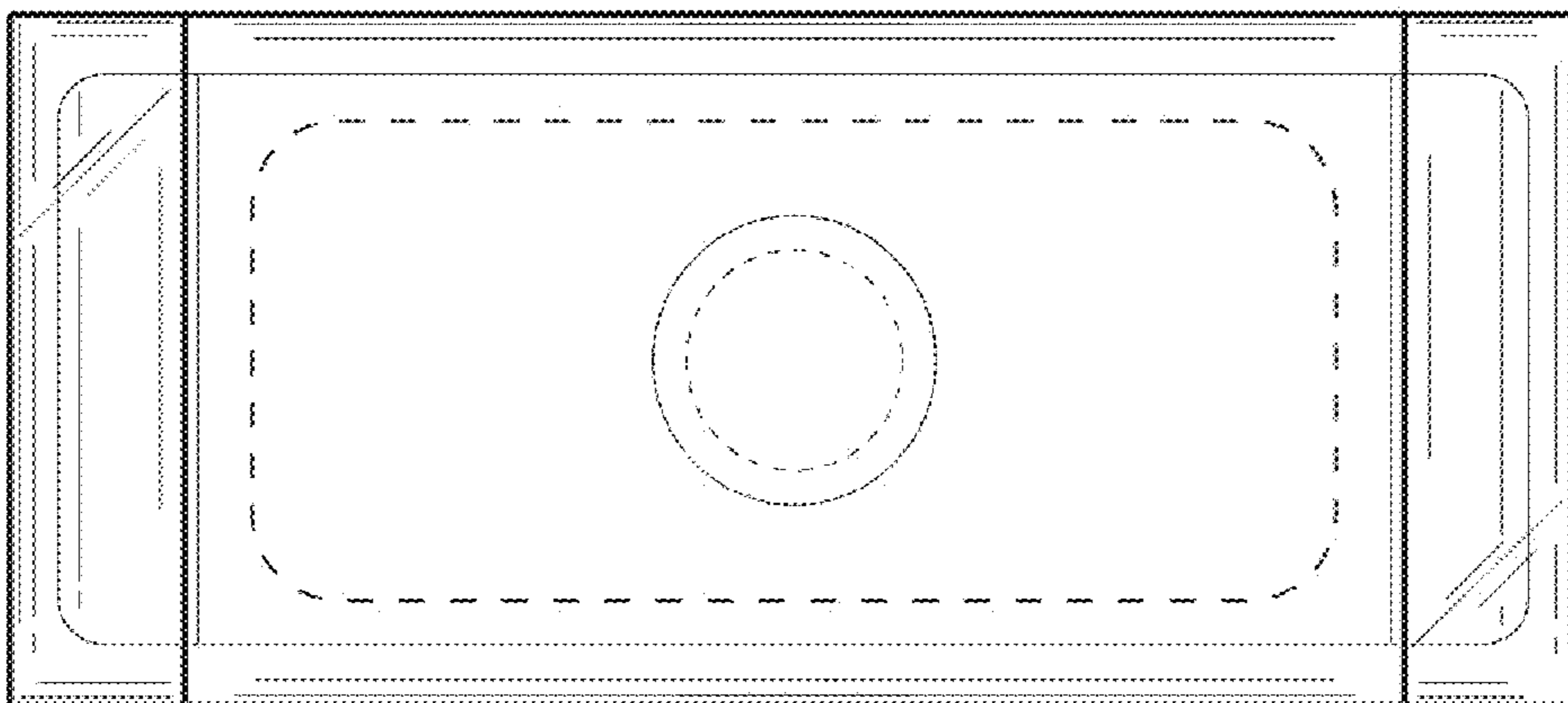


FIG. 5