



US00D678774S

(12) **United States Design Patent**
Lobbestael et al.

(10) **Patent No.:** **US D678,774 S**
(45) **Date of Patent:** **** Mar. 26, 2013**

(54) **CONTAINER**

(76) Inventors: **Peter Lobbestael**, Manitou Beach, MI (US); **Al Vanover**, Adrian, MI (US); **Kevin D Gaydosh**, Adrian, MI (US)

(**) Term: **14 Years**

(21) Appl. No.: **29/393,875**

(22) Filed: **Jun. 10, 2011**

(51) **LOC (9) Cl.** **09-01**

(52) **U.S. Cl.** **D9/531**

(58) **Field of Classification Search** D9/434,
D9/435, 444, 445, 516, 523, 528, 530, 531,
D9/537-539, 540-542, 543, 552, 563, 565,
D9/572, 575; 215/381-385; 220/660, 669
See application file for complete search history.

(56) **References Cited**

U.S. PATENT DOCUMENTS

| | | | | |
|--------------|---------|------------------|-------|--------|
| D212,932 S * | 12/1968 | Anderson | | D9/531 |
| D221,516 S * | 8/1971 | Crisci | | D9/531 |
| D238,654 S * | 2/1976 | Platte | | D9/520 |
| D311,136 S * | 10/1990 | Barker et al. | | D9/531 |
| D358,333 S * | 5/1995 | Stockwell et al. | | D9/531 |

| | | | | |
|-------------------|---------|-------------------|-------|--------|
| D359,689 S * | 6/1995 | Beaver | | D9/528 |
| D415,035 S * | 10/1999 | Ankney et al. | | D9/531 |
| D429,643 S * | 8/2000 | Case | | D9/528 |
| D623,955 S * | 9/2010 | Lembke et al. | | D9/531 |
| D653,114 S * | 1/2012 | Rivera et al. | | D9/531 |
| D655,175 S * | 3/2012 | Young et al. | | D9/531 |
| D662,421 S * | 6/2012 | Dorn | | D9/531 |
| 2012/0241405 A1 * | 9/2012 | Lobbestael et al. | | 215/10 |

* cited by examiner

Primary Examiner — Keli L Hill

(74) *Attorney, Agent, or Firm* — Young Basile

(57) **CLAIM**

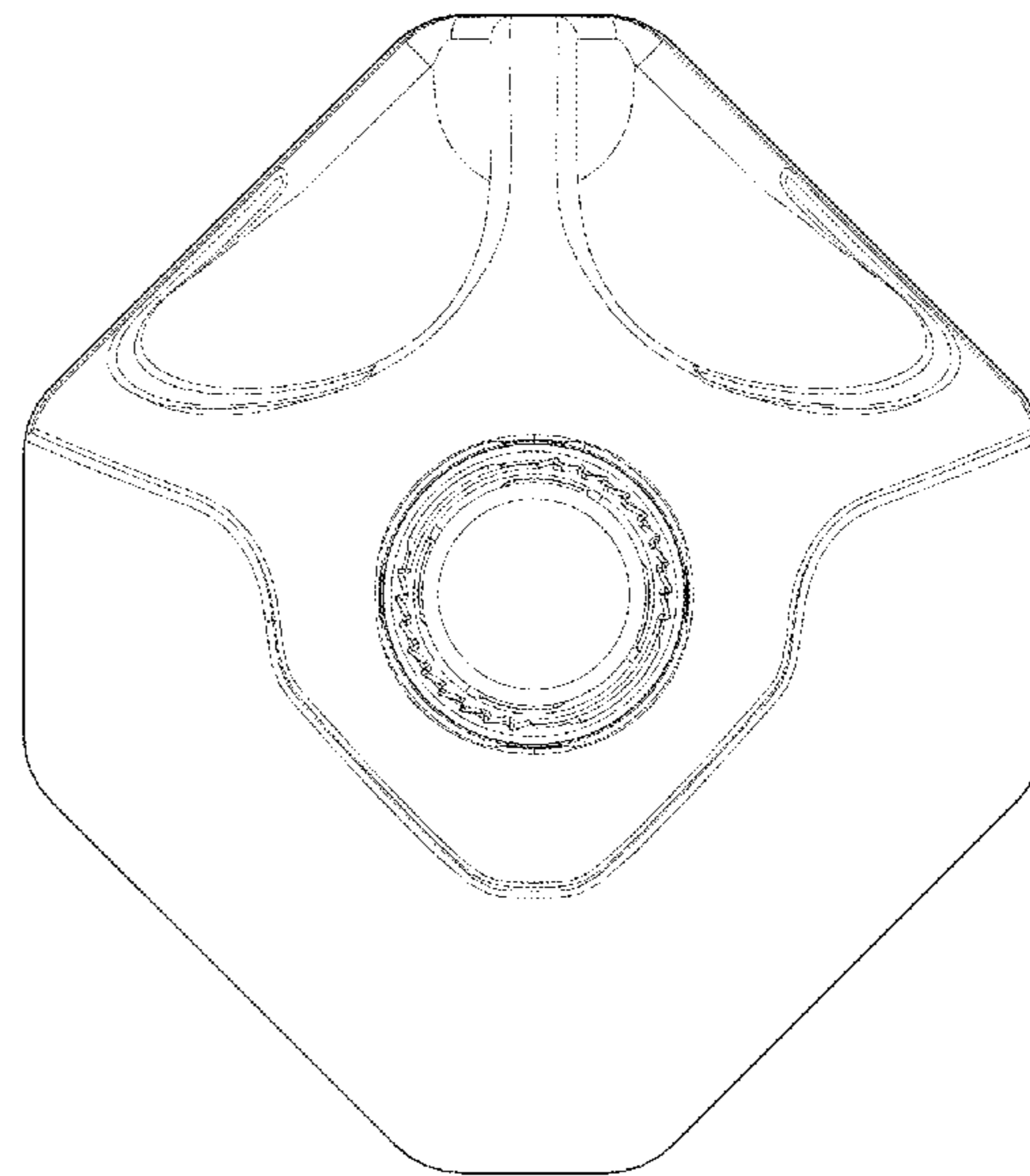
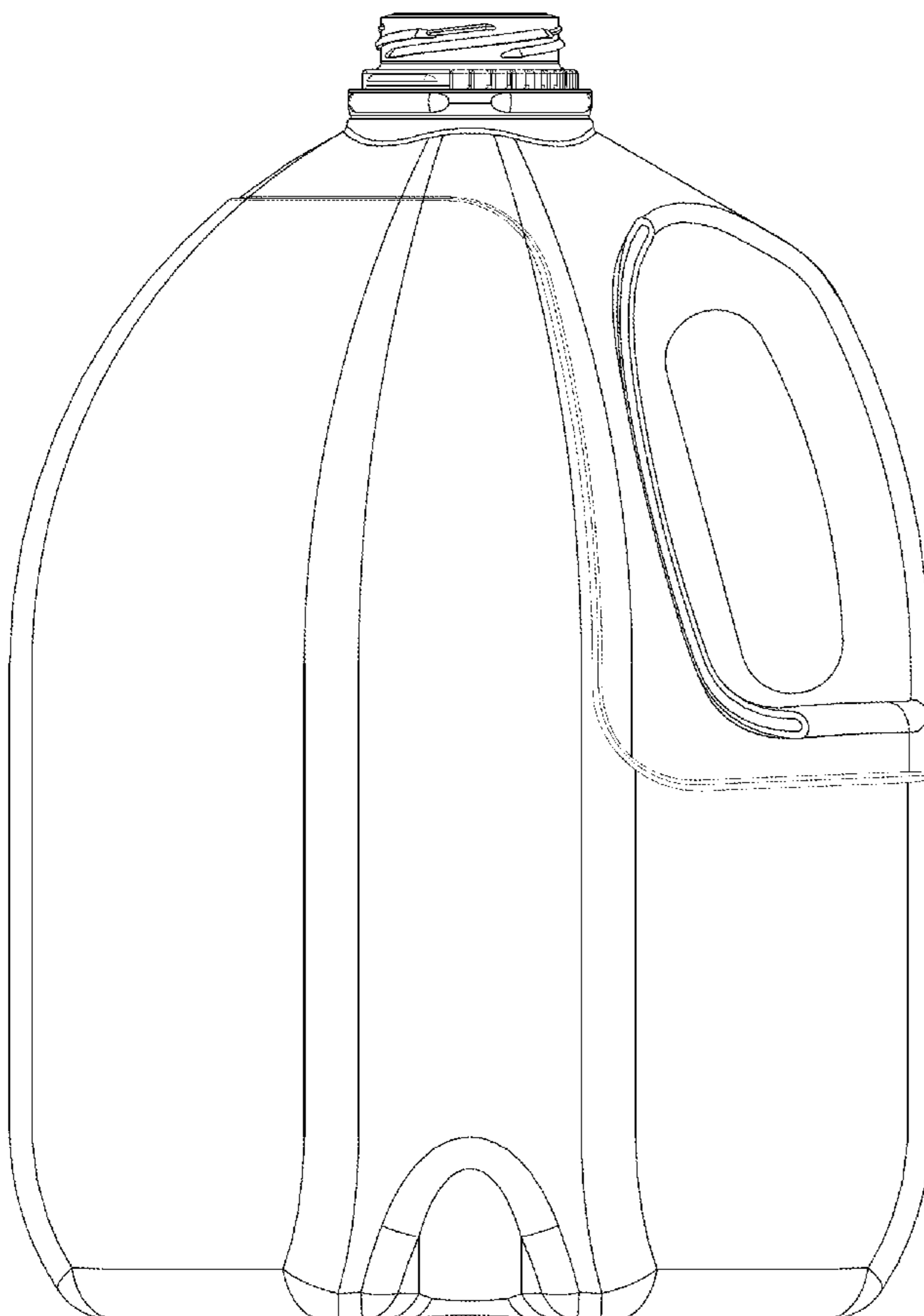
The ornamental design for a container, as shown and described.

DESCRIPTION

FIG. 1 is a side elevational view of the container;
FIG. 2 is a front elevational view of the container;
FIG. 3 is a bottom view of the container; and,
FIG. 4 is a top view of the container.

The broken lines shown are included for the purpose of illustrating the unclaimed portions of the article and form no part of the claim.

1 Claim, 4 Drawing Sheets



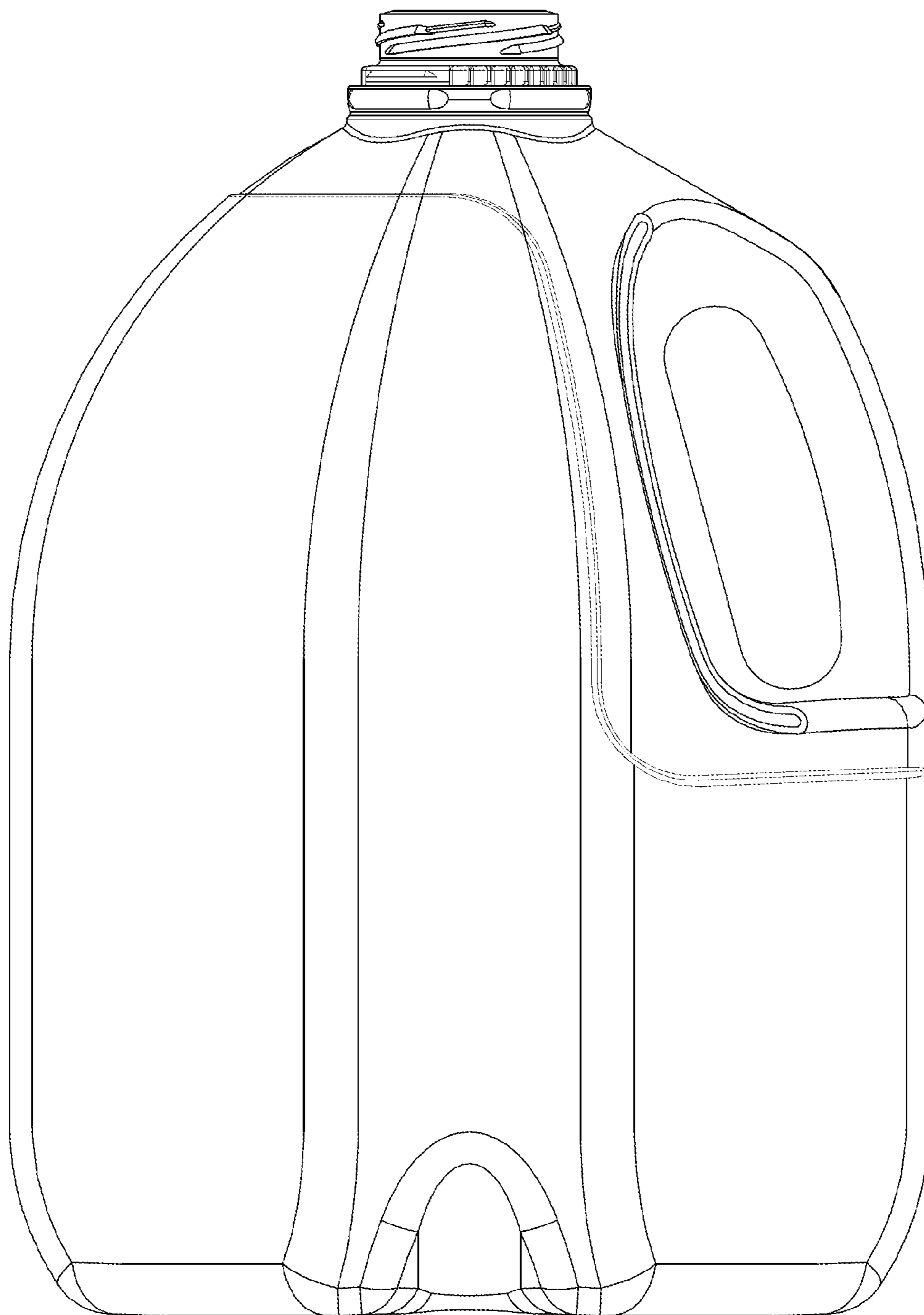


FIG. 1

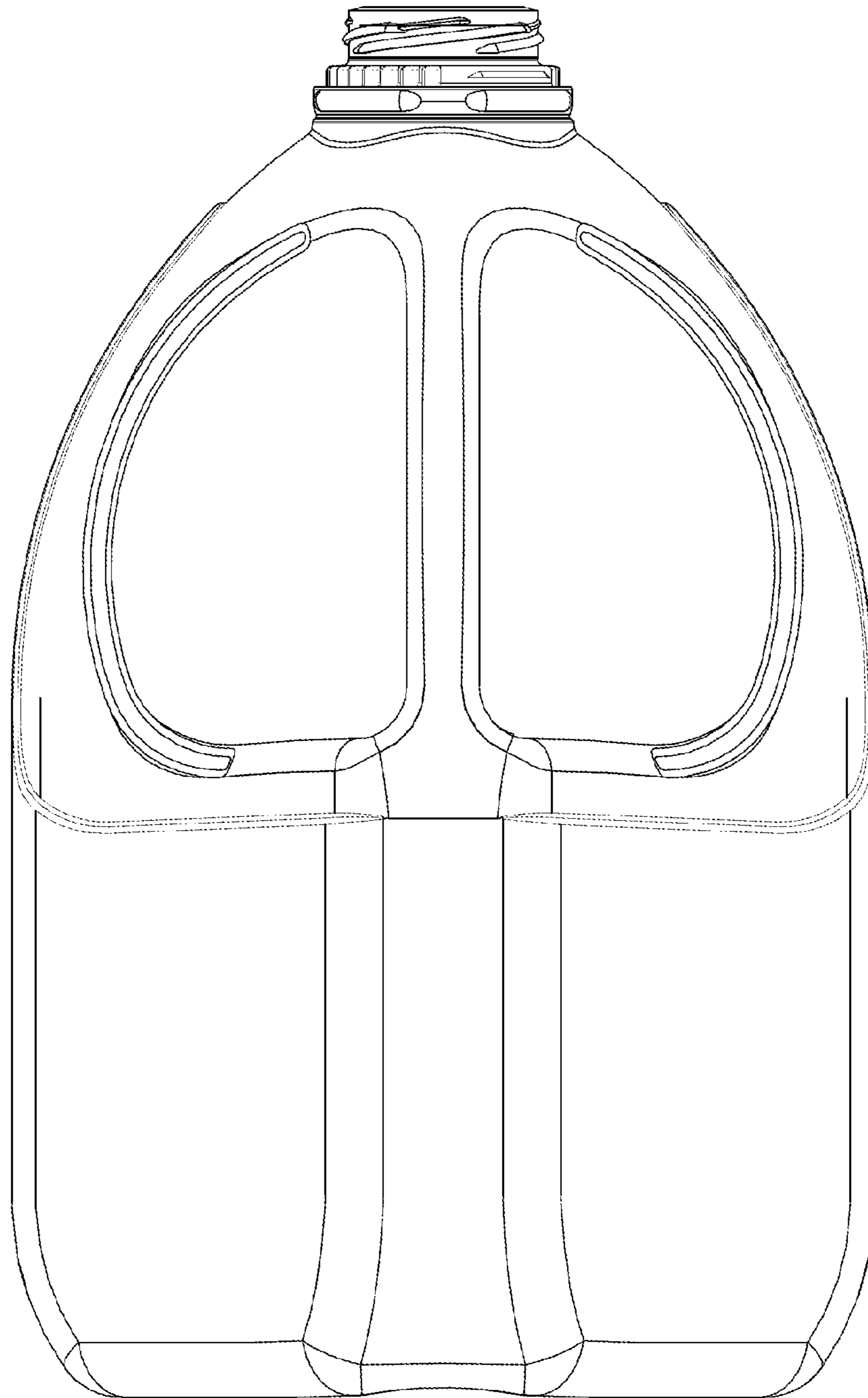


FIG. 2

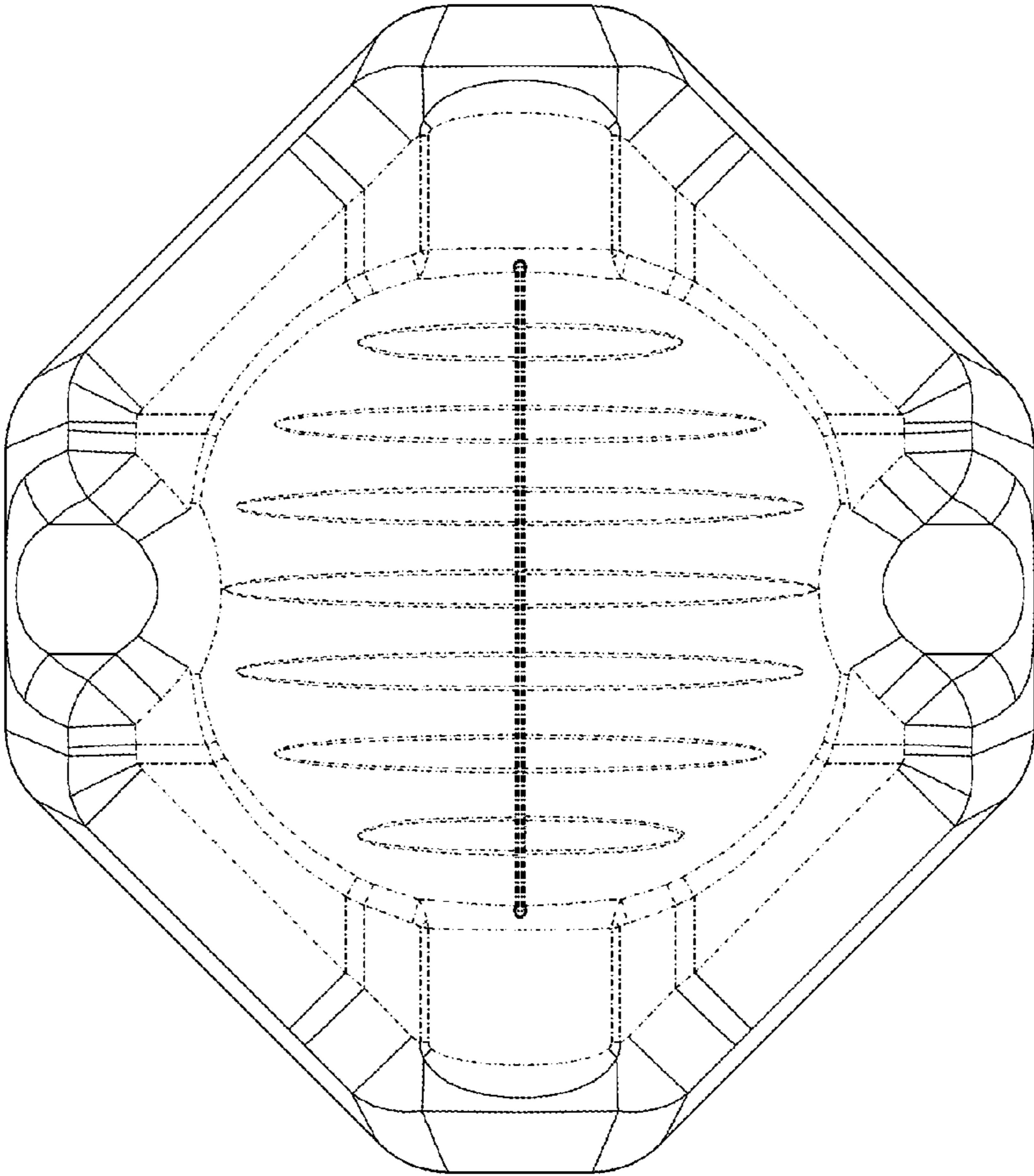


FIG. 3

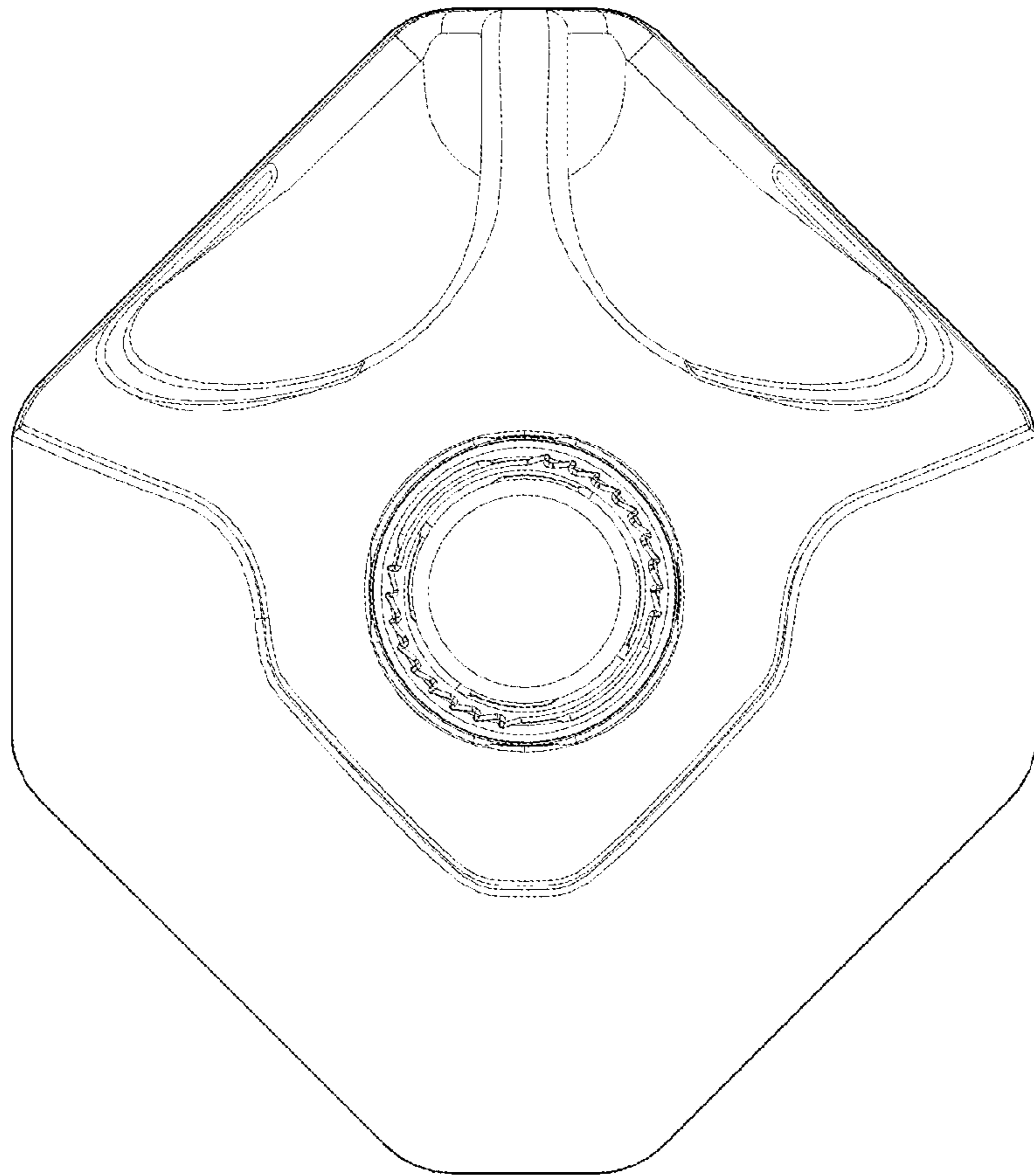


FIG. 4