



US00D678772S

(12) **United States Design Patent**
Johnson et al.

(10) **Patent No.:** **US D678,772 S**
(45) **Date of Patent:** **** Mar. 26, 2013**

- (54) **BEVERAGE CONTAINER**
- (75) Inventors: **Dean L. Johnson**, Littleton, CO (US);
David L. Bonfoey, Thornton, CO (US)
- (73) Assignee: **Ball Corporation**, Broomfield, CO (US)
- (**) Term: **14 Years**
- (21) Appl. No.: **29/378,146**
- (22) Filed: **Oct. 29, 2010**
- (51) **LOC (9) Cl.** **09-01**
- (52) **U.S. Cl.** **D9/500; D9/772**
- (58) **Field of Classification Search** D9/500,
D9/502-505, 516, 549, 557-55, 575, 763-764,
D9/772, 779-780; D7/509-511; 215/379,
215/381; 220/660, 662, 675
See application file for complete search history.

- 6,463,776 B1 10/2002 Enoki et al.
- D475,630 S 6/2003 Canino
- D503,343 S 3/2005 Canino
- 6,907,653 B2 6/2005 Chupak
- 6,959,830 B1 * 11/2005 Kanou et al. 220/288
- D518,732 S 4/2006 Gedanke et al.
- D528,000 S 9/2006 Davis et al.
- 7,140,223 B2 11/2006 Chupak
- 7,171,840 B2 * 2/2007 Kanou et al. 72/379.4
- D554,000 S 10/2007 Walsh
- D564,881 S 3/2008 Chupak
- D569,252 S 5/2008 Borsari et al.
- D584,623 S * 1/2009 Chupak D9/500
- D592,060 S 5/2009 Chupak
- D596,488 S 7/2009 Chupak
- D600,556 S 9/2009 Chupak

(Continued)

FOREIGN PATENT DOCUMENTS

- CA 2348438 3/2001
- CA 2352747 4/2001

(Continued)

(56) **References Cited**

U.S. PATENT DOCUMENTS

- 1,079,403 A 11/1913 Crecelius
- 2,157,896 A 5/1939 Held
- D227,656 S 7/1973 Broadhead
- D234,291 S 2/1975 Broadhead
- 3,995,572 A 12/1976 Saunders
- D248,927 S 8/1978 Cassia
- D260,732 S 9/1981 Walker
- D335,455 S 5/1993 Brown
- D347,571 S * 6/1994 Wacker D9/688
- D364,347 S 11/1995 Sillince et al.
- 5,572,893 A 11/1996 Goda et al.
- 5,718,352 A 2/1998 Diekhoff et al.
- 5,755,354 A 5/1998 Lang
- 5,822,843 A 10/1998 Diekhoff et al.
- D414,238 S 9/1999 Kupperman
- 6,010,028 A * 1/2000 Jordan et al. 220/669
- D422,914 S * 4/2000 Lasky D9/451
- D435,648 S 12/2000 Shah et al.
- D435,649 S 12/2000 Shah et al.
- D441,657 S * 5/2001 Brown, III D9/764

OTHER PUBLICATIONS

U.S. Appl. No. 29/386,578, filed Mar. 2, 2011, Jacober.

(Continued)

Primary Examiner — Ian Simmons
Assistant Examiner — Dana L Meyrow
(74) *Attorney, Agent, or Firm* — Sheridan Ross P.C.

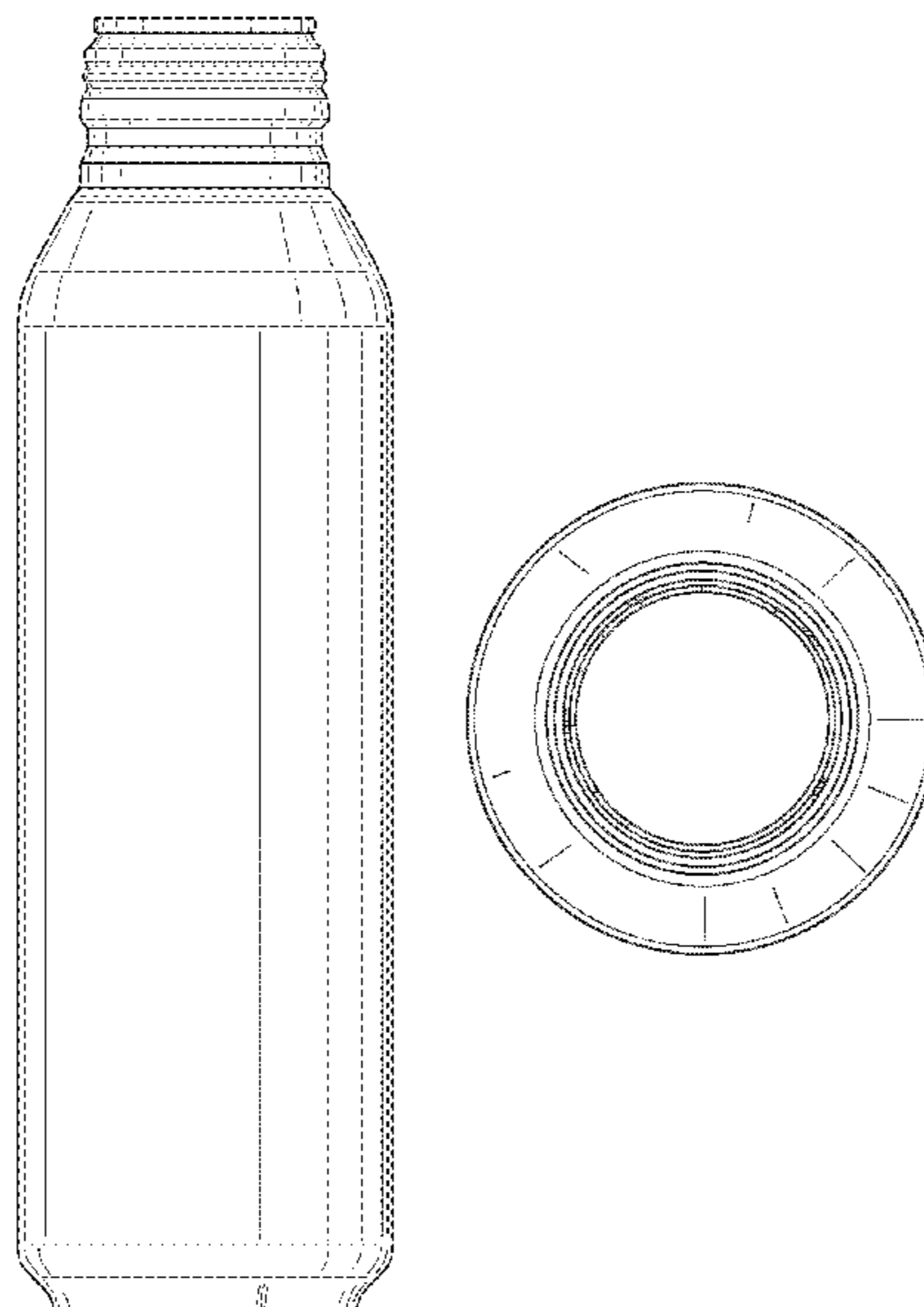
(57) **CLAIM**

The ornamental design for a beverage container, as shown and described.

DESCRIPTION

FIG. 1 is a front perspective view of a beverage container;
FIG. 2 is a front elevation view thereof; and,
FIG. 3 is a top plan view thereof.

1 Claim, 3 Drawing Sheets



US D678,772 S

Page 2

U.S. PATENT DOCUMENTS

D600,557 S 9/2009 Chupak
D605,040 S 12/2009 Fry et al.
D619,457 S * 7/2010 Walsh D9/500
D619,458 S * 7/2010 Walsh D9/500
D619,459 S * 7/2010 Walsh D9/500
D620,360 S 7/2010 Walsh
D622,145 S * 8/2010 Walsh D9/500
7,798,357 B2 9/2010 Hanafusa et al.
D638,708 S * 5/2011 Walsh D9/500
D639,164 S 6/2011 Walsh
8,016,148 B2 * 9/2011 Walsh 220/288
D646,165 S 10/2011 Chupak
D646,166 S 10/2011 Chupak
D653,966 S 2/2012 Kohara et al.
D654,379 S 2/2012 Kohara et al.
D654,380 S 2/2012 Kohara et al.

FOREIGN PATENT DOCUMENTS

WO WO 01/15829 3/2001
WO DM/062281 12/2002
WO DM/063368 4/2003

OTHER PUBLICATIONS

Johnson et al. U.S. Appl. No. 29/378,145, filed Oct. 29, 2010.
Johnson et al., U.S. Appl. No. 29/378,147, filed Oct. 29, 2010.
Johnson et al., U.S. Appl. No. 29/386,520, filed Mar. 2, 2011.
Jacobson, U.S. Appl. No. 29/386,578, filed Mar. 2, 2011.
Johnson et al. U.S. Appl. No. 29/408,689, filed Dec. 15, 2011.
Johnson et al. U.S. Appl. No. 29/408,690, filed Dec. 15, 2011.
Johnson et al. U.S. Appl. No. 29/408,691, filed Dec. 15, 2011.
Jacobson U.S. Appl. No. 29/411,487, filed Jan. 20, 2012.
Jacobson et al. U.S. Appl. No. 29/411,761, filed Jan. 25, 2012.
Official Action for U.S. Appl. No. 29/408,691, mailed Mar. 23, 2012
9 pages.
Official Action for U.S. Appl. No. 29/408,690, mailed Mar. 28, 2012
9 pages.
Official Action for U.S. Appl. No. 29/378,145, mailed Mar. 27, 2012
8 pages.

* cited by examiner

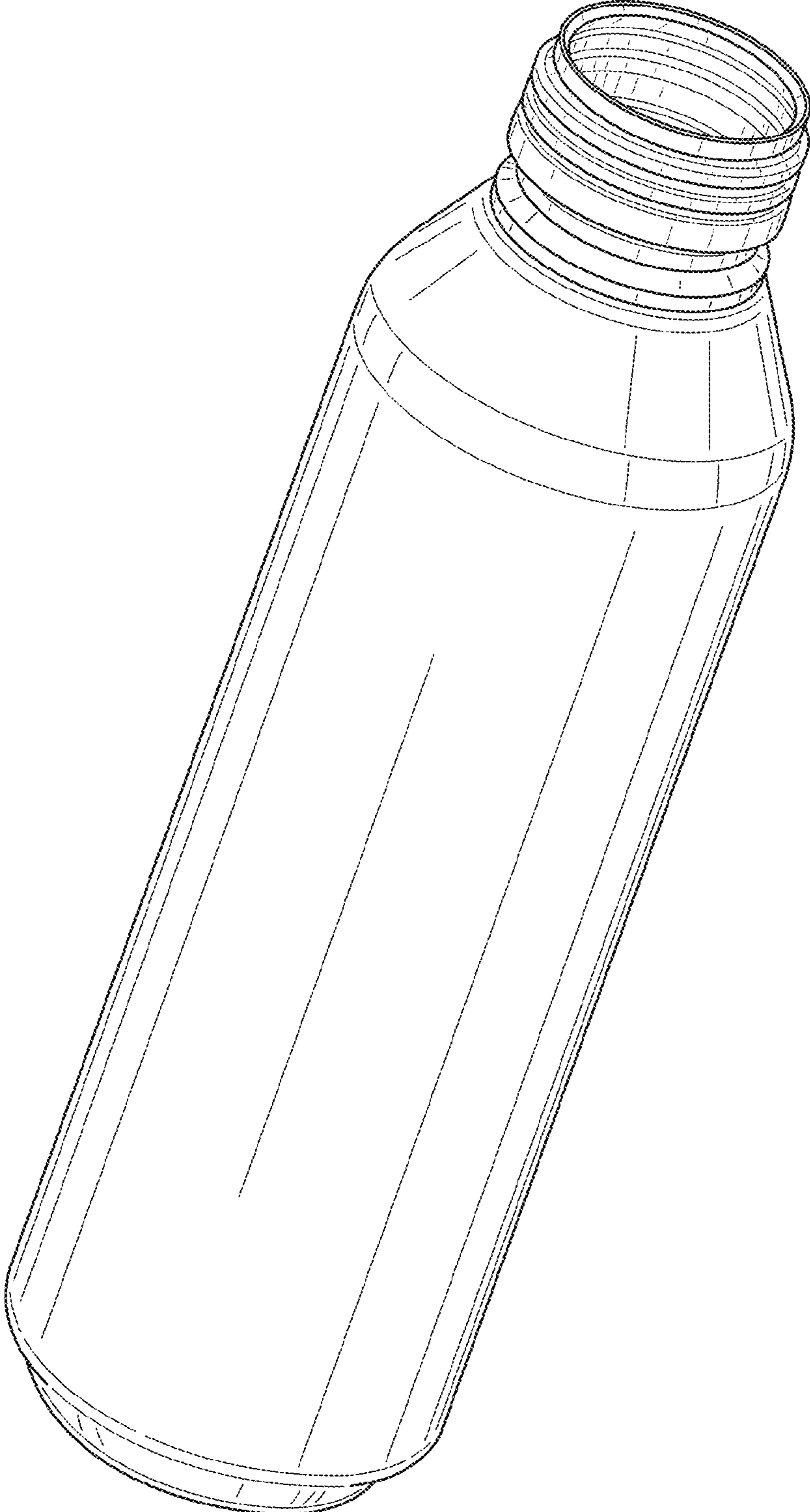


FIG.1

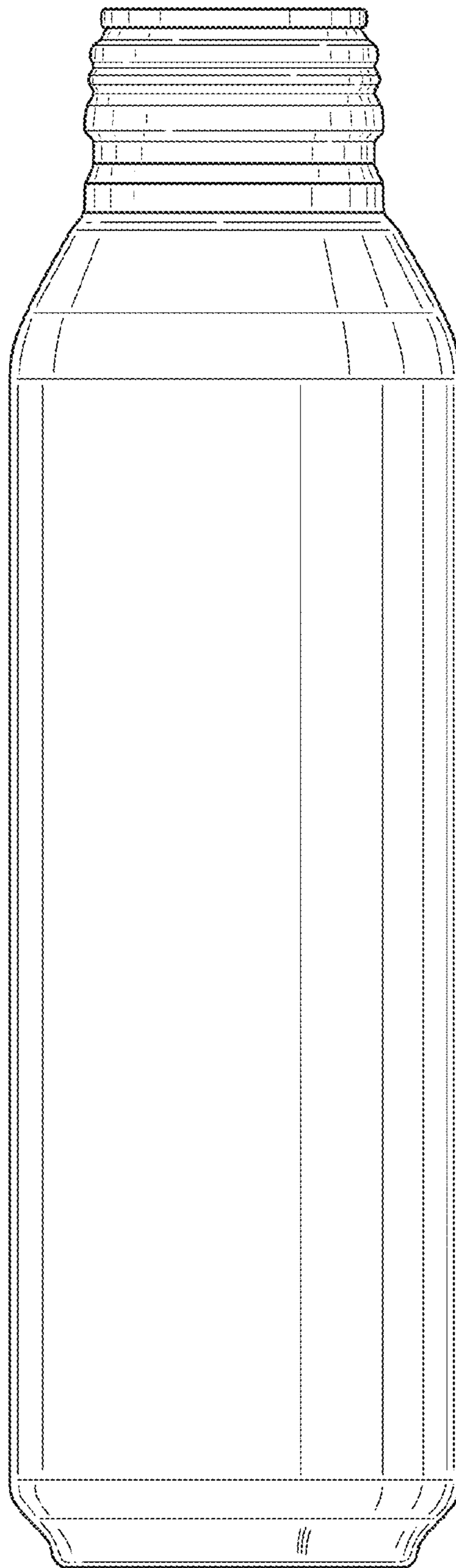


FIG. 2

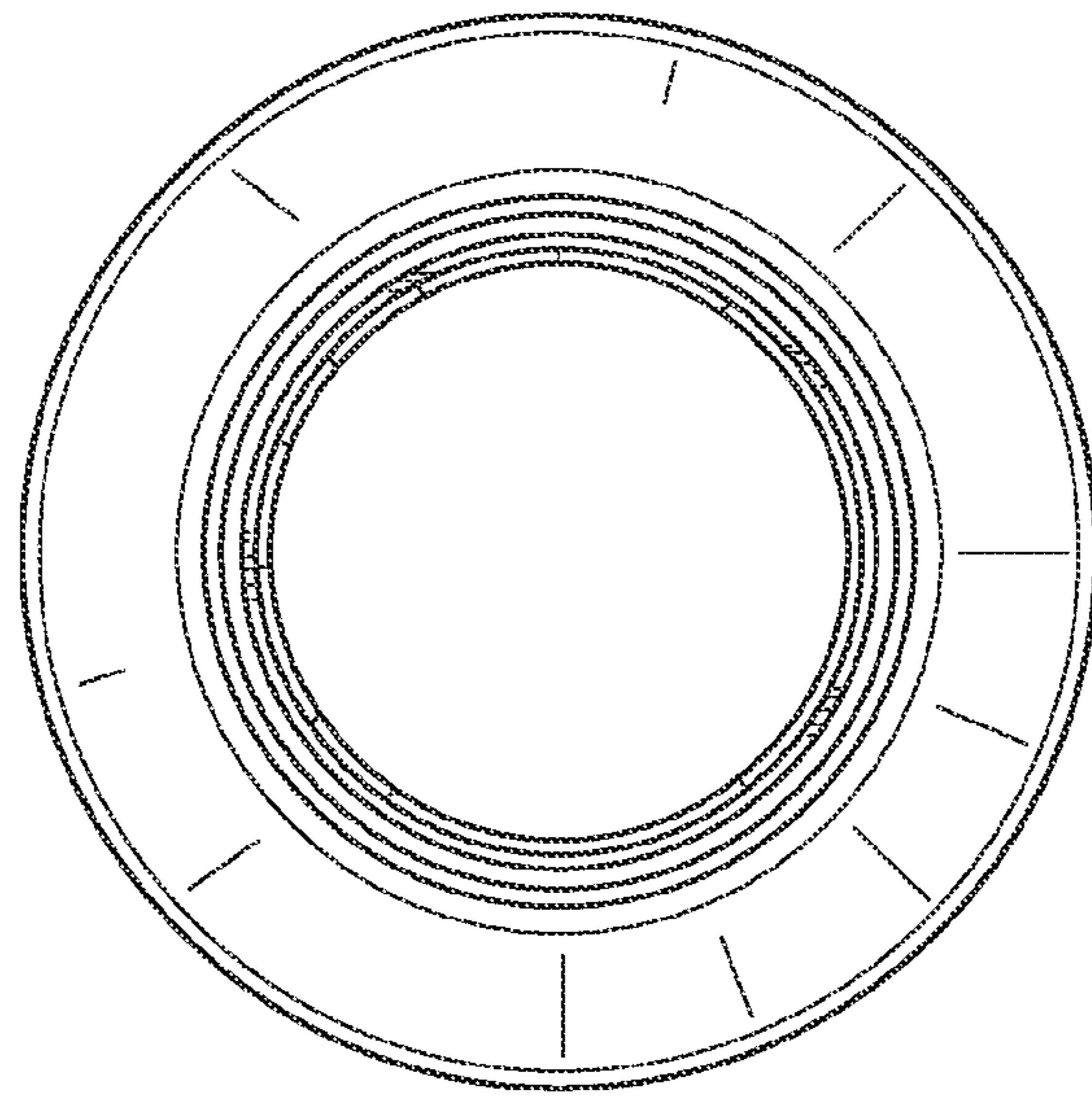


FIG. 3