



US00D678770S

(12) **United States Design Patent**
Kawamura

(10) **Patent No.:** **US D678,770 S**
(45) **Date of Patent:** **** Mar. 26, 2013**

(54) **PLASTIC CAP FOR MEDICINE CONTAINER**

(75) Inventor: **Hideaki Kawamura**, Sumida-ku (JP)

(73) Assignee: **Daikyo Seiko, Ltd.**, Tokyo (JP)

(**) Term: **14 Years**

(21) Appl. No.: **29/374,239**

(22) Filed: **Jul. 18, 2011**

(30) **Foreign Application Priority Data**

Feb. 22, 2011 (JP) 2011-003709

(51) **LOC (9) Cl.** **09-07**

(52) **U.S. Cl.** **D9/452; D9/454**

(58) **Field of Classification Search** D9/453,
D9/452, 451, 443, 439, 432, 420; D7/628,
D7/392.1; D24/115; D12/197; D11/157;
229/125.04, 125.09, 117.3; 222/498, 481;
220/786, 269-270, 254.1, 228; 215/355-364,
215/247, 235; 206/423

See application file for complete search history.

(56) **References Cited**

U.S. PATENT DOCUMENTS

D202,938 S * 11/1965 Danks D9/453
5,647,845 A * 7/1997 Haber et al. 604/32
D495,416 S * 8/2004 Dimeo et al. D24/129
D561,348 S * 2/2008 Zinger et al. D24/231

D600,120 S 9/2009 Kawamura
D616,090 S 5/2010 Kawamura
D616,984 S * 6/2010 Gilboa D24/129
D630,732 S * 1/2011 Lev et al. D24/129
D630,944 S 1/2011 Kawamura
D669,980 S * 10/2012 Lev et al. D24/129

OTHER PUBLICATIONS

U.S. Appl. No. 29/372,777, filed Jan. 11, 2011, Kawamura et al.

* cited by examiner

Primary Examiner — Susan Bennett Hattan

(74) *Attorney, Agent, or Firm* — Chapman and Cutler LLP

(57) **CLAIM**

The ornamental design for a plastic cap for medicine container, as shown and described.

DESCRIPTION

FIG. 1 is a top perspective view of the plastic cap for medicine container of the present invention;

FIG. 2 is a bottom perspective view thereof;

FIG. 3 is a front elevational view thereof, the left, right, and rear elevational views being identical thereto;

FIG. 4 is a bottom plan view thereof;

FIG. 5 is a sectional view taken along line 5-5 in FIG. 4;

FIG. 6 is a top perspective view thereof with cover removed; and,

FIG. 7 is a bottom perspective view of cover.

1 Claim, 5 Drawing Sheets

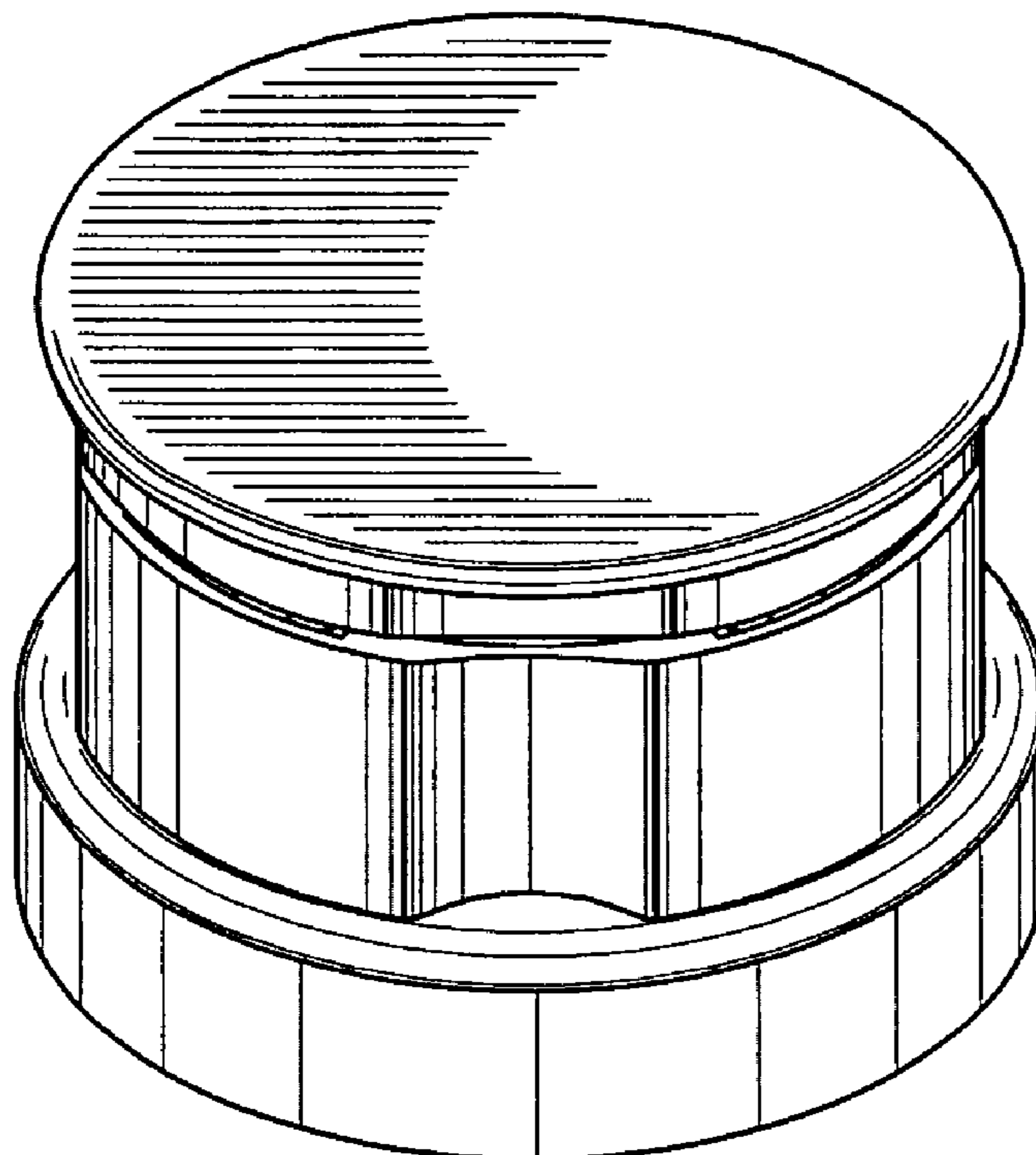


FIG. 1

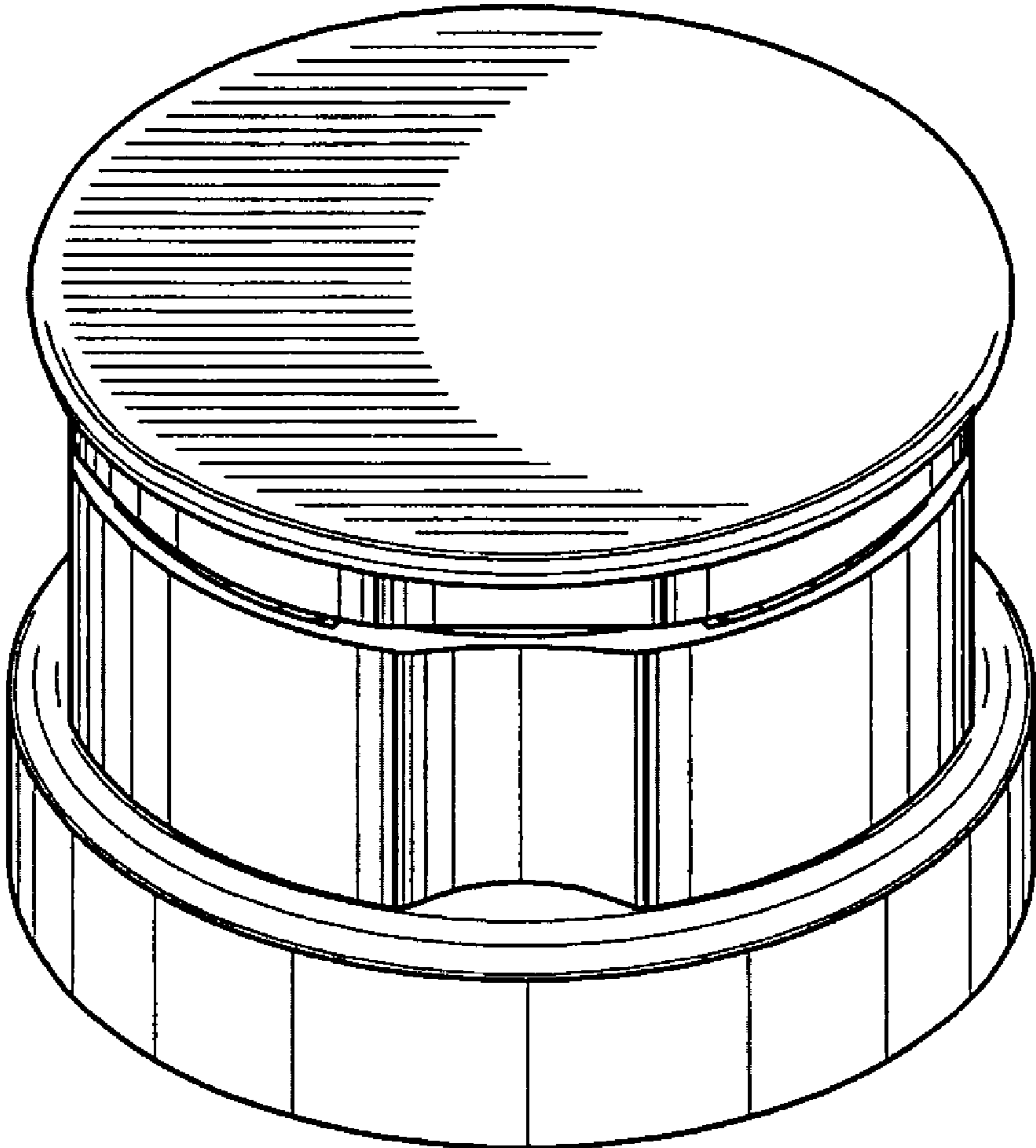
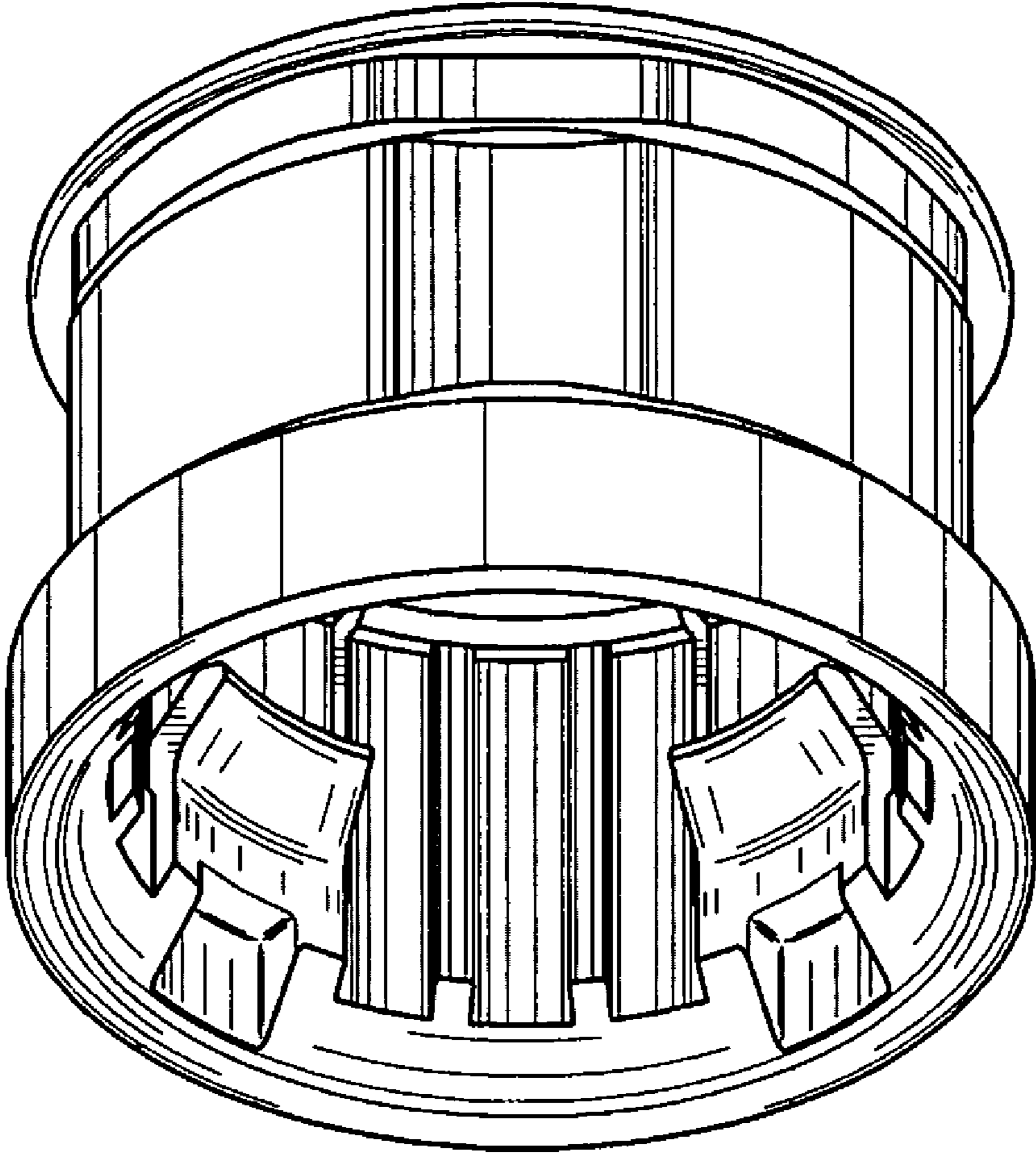
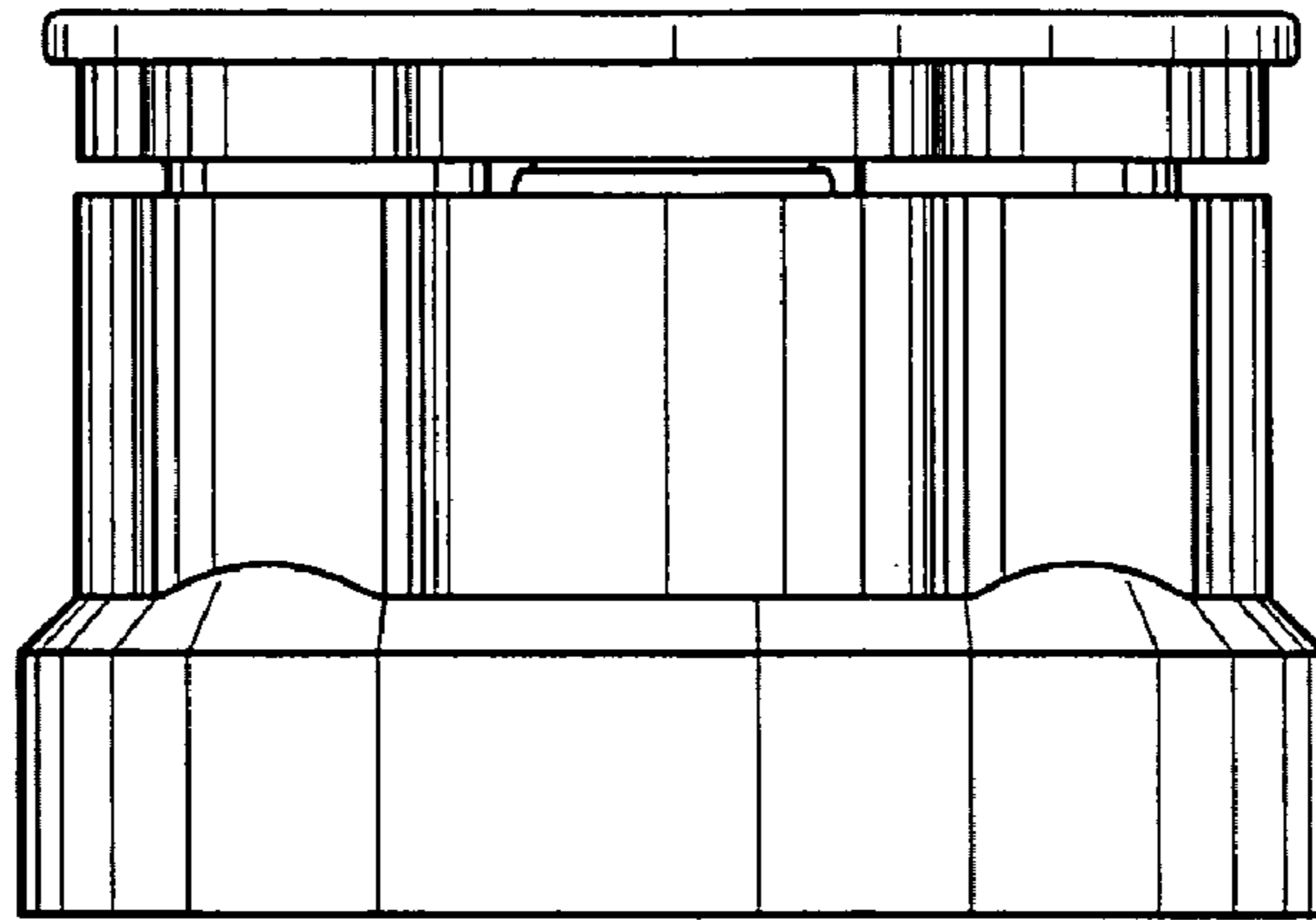


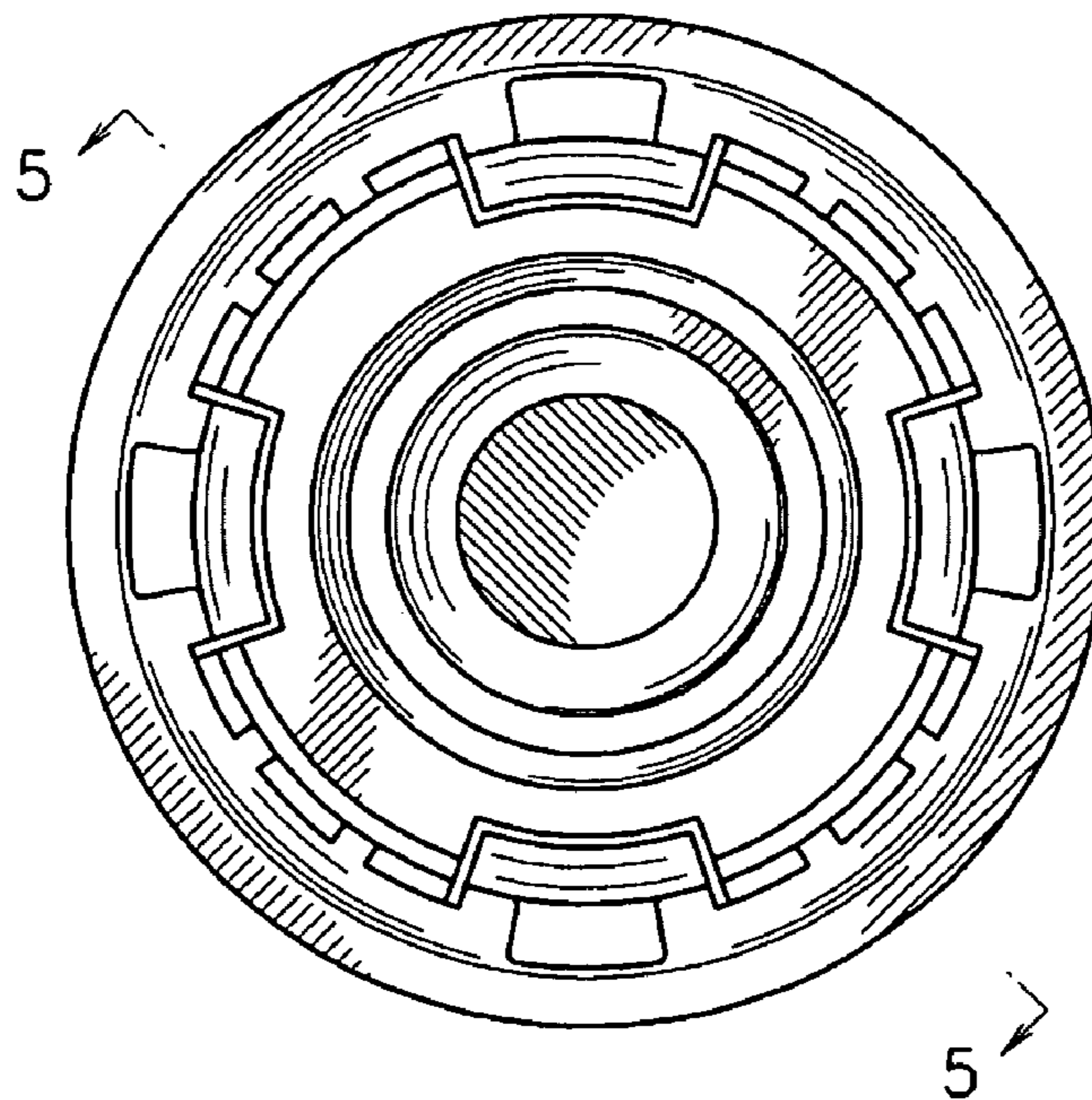
FIG. 2



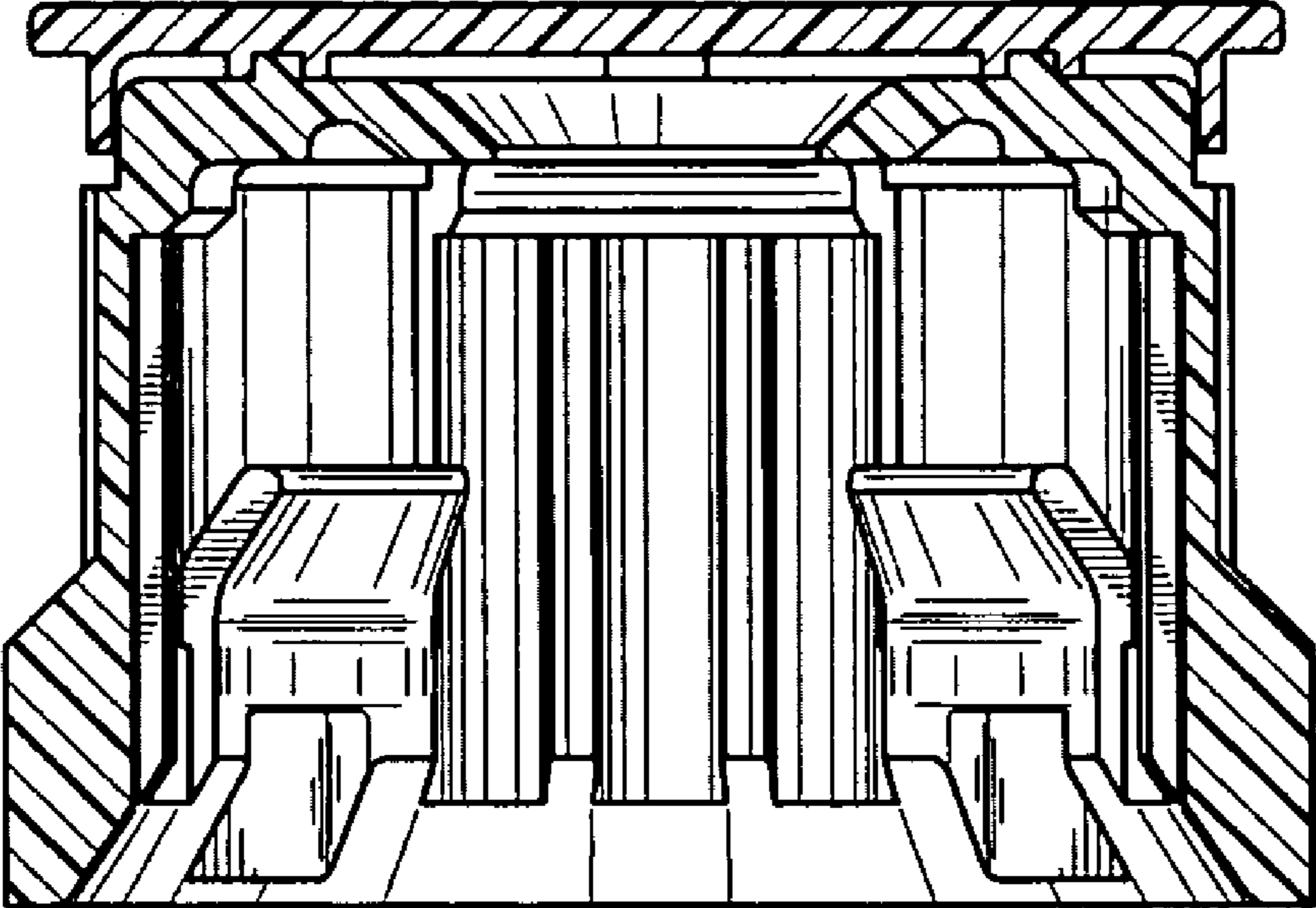
F I G. 3



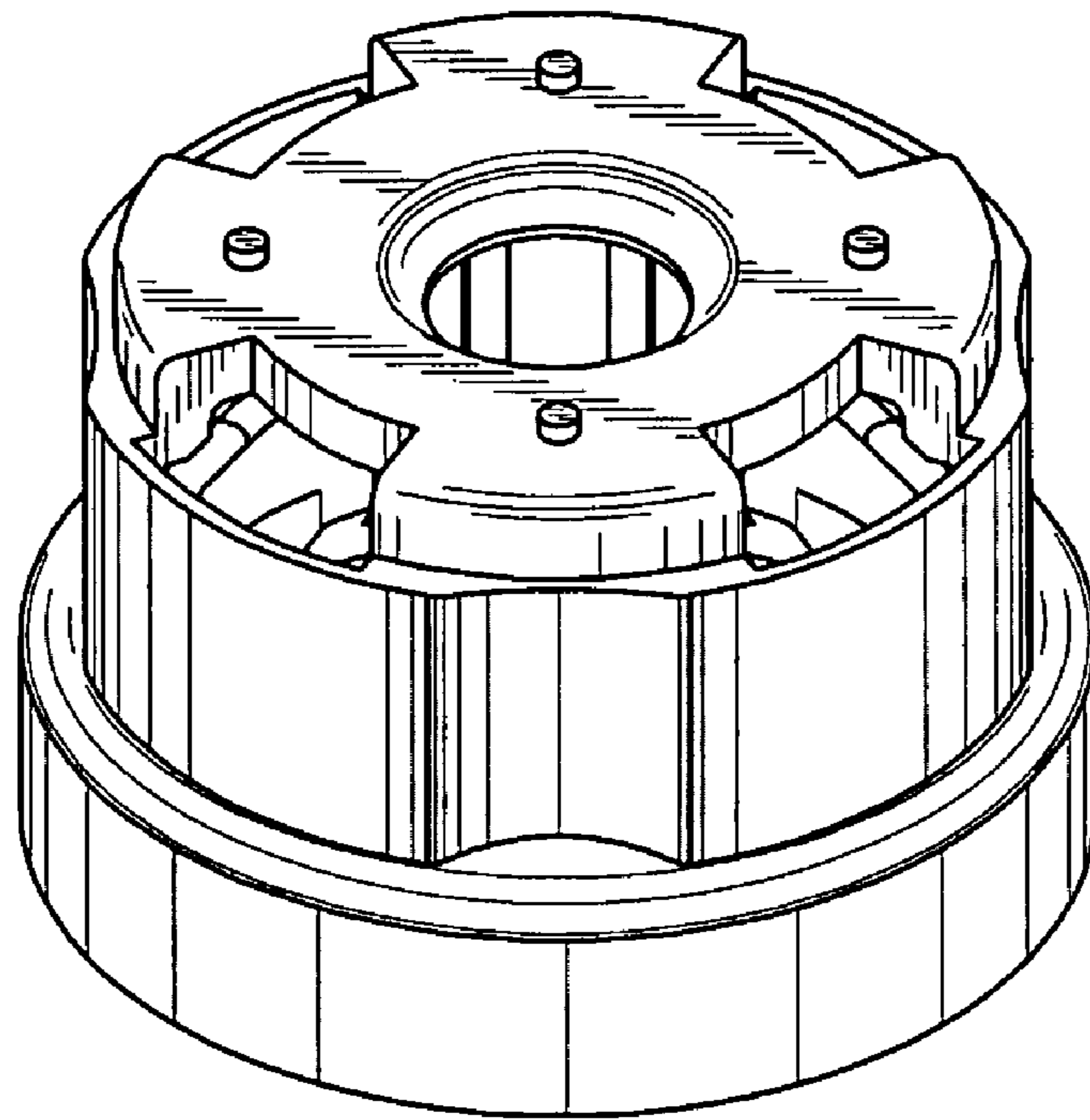
F I G. 4



F I G. 5



F I G. 6



F I G. 7

