



US00D678768S

(12) **United States Design Patent**  
**Agassi et al.**

(10) **Patent No.:** **US D678,768 S**  
(45) **Date of Patent:** **\*\* Mar. 26, 2013**

(54) **SEALABLE POURER**  
(75) Inventors: **Or Agassi**, Tel Aviv (IL); **Reuven Marko**, Netanya (IL)  
(73) Assignee: **AGAM Innovations Ltd.**, Tel Aviv (IL)  
(\*\*) Term: **14 Years**  
(21) Appl. No.: **29/394,407**  
(22) Filed: **Jun. 16, 2011**  
(51) **LOC (9) Cl.** ..... **09-07**  
(52) **U.S. Cl.** ..... **D9/440; D9/447**  
(58) **Field of Classification Search** ..... D7/387,  
D7/391, 392, 392.1, 397, 398, 515; D9/434,  
D9/440, 441, 446, 447, 450; 222/189.7,  
222/190, 477, 478, 481.5, 484, 567, 569;  
220/711, 714, 717; 215/1, 21, 23, 25, 216,  
215/245, 256, 316  
See application file for complete search history.

4,736,871 A 4/1988 Luciani et al.  
4,756,435 A 7/1988 Schick et al.  
4,869,399 A 9/1989 Dubach  
4,884,705 A 12/1989 Debetencourt  
4,984,711 A 1/1991 Ellis  
5,020,690 A 6/1991 Kishikawa et al.  
5,044,530 A 9/1991 Stull  
D326,818 S \* 6/1992 Maquire et al. .... D9/447  
5,181,632 A 1/1993 Latter  
5,211,318 A 5/1993 Govatzidakis  
5,303,839 A 4/1994 Blumenschein  
5,303,850 A 4/1994 Connan  
5,346,099 A 9/1994 Salmon et al.  
5,462,201 A 10/1995 Wilkins  
5,713,491 A 2/1998 Hughes et al.  
5,785,209 A 7/1998 Guglielmini  
5,799,836 A \* 9/1998 Lee ..... 222/189.07  
5,823,383 A 10/1998 Hins  
5,961,008 A 10/1999 Peckels  
D418,417 S 1/2000 Hollinger  
(Continued)

(56) **References Cited**

U.S. PATENT DOCUMENTS

2,112,125 A	3/1938	Von Bultzingslowen	
D217,330 S *	4/1970	Conry	D9/440
3,630,419 A	12/1971	Pierce	
3,750,915 A	8/1973	Kearney	
D229,826 S *	1/1974	Raptis	D9/440
3,796,348 A	3/1974	Zipper	
3,894,661 A	7/1975	Guala	
3,966,099 A *	6/1976	Sanford et al.	222/478
4,010,875 A	3/1977	Babiol	
4,105,141 A	8/1978	Lane et al.	
4,171,749 A	10/1979	Aichinger et al.	
4,217,988 A	8/1980	Curtis et al.	
4,261,484 A	4/1981	DaCosta et al.	
4,311,259 A	1/1982	Babiol	
4,384,662 A	5/1983	Boudin et al.	
4,427,138 A	1/1984	Heinlein	
4,497,422 A	2/1985	Klees	
4,523,687 A	6/1985	Hullihen	
4,597,513 A	7/1986	Schiemann	
D285,055 S	8/1986	Heubel	
D285,892 S	9/1986	Doyel	

**OTHER PUBLICATIONS**

International Search Authority: "Written Opinion of the International Searching Authority" (PCT Rule 43bis.1) including International Search Report for International Patent Application No. PCT/IL 11/00783; Date of Mailing: May 4, 2012.

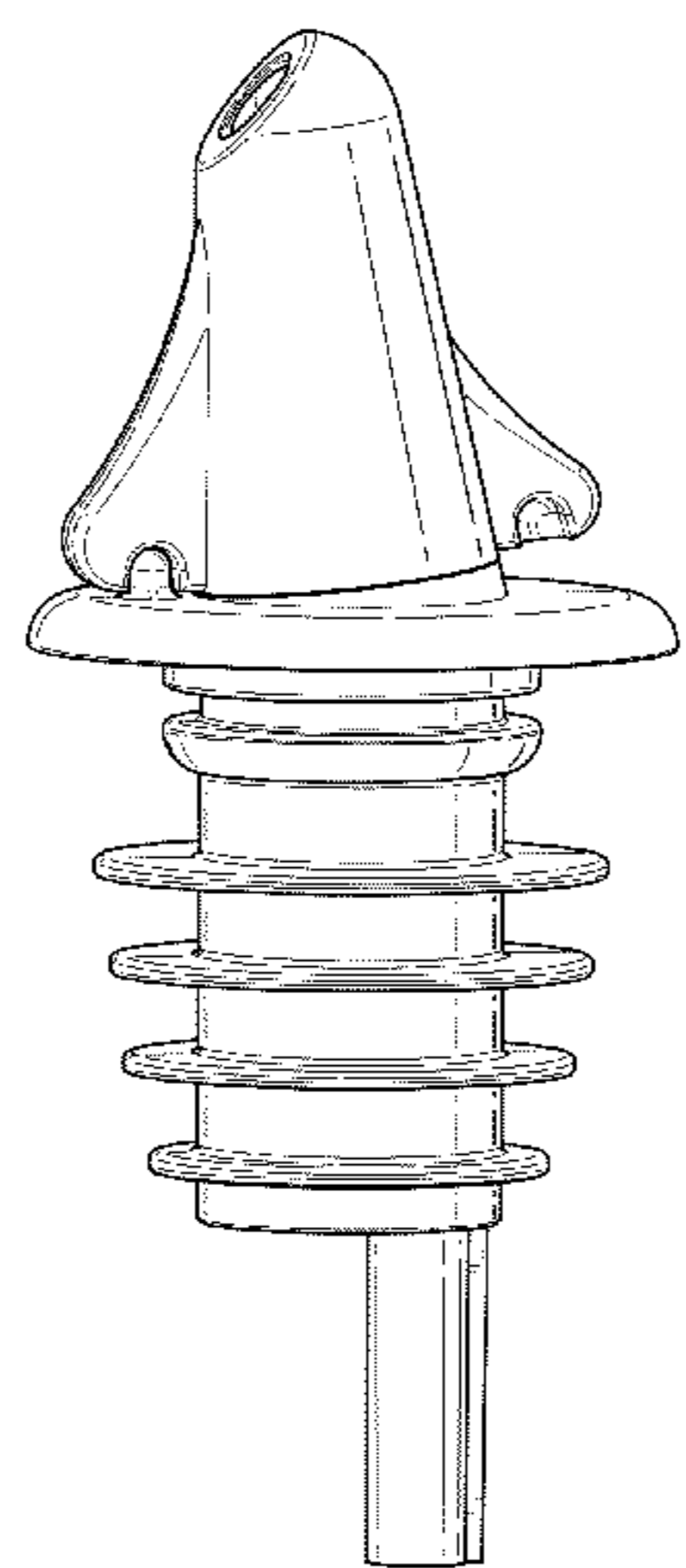
*Primary Examiner* — Susan E Krakower  
(74) *Attorney, Agent, or Firm* — Myers Wolin, LLC

(57) **CLAIM**  
We claim the ornamental design for a sealable pourer, as shown and described.

**DESCRIPTION**

FIG. 1 is a right side isometric view of one embodiment of a sealable pourer assembly showing our new design;  
FIG. 2 is a left side elevation view thereof;  
FIG. 3 is a front elevation view thereof;  
FIG. 4 is a rear elevation view thereof;  
FIG. 5 is a top view thereof; and,  
FIG. 6 is a bottom view thereof.

**1 Claim, 3 Drawing Sheets**



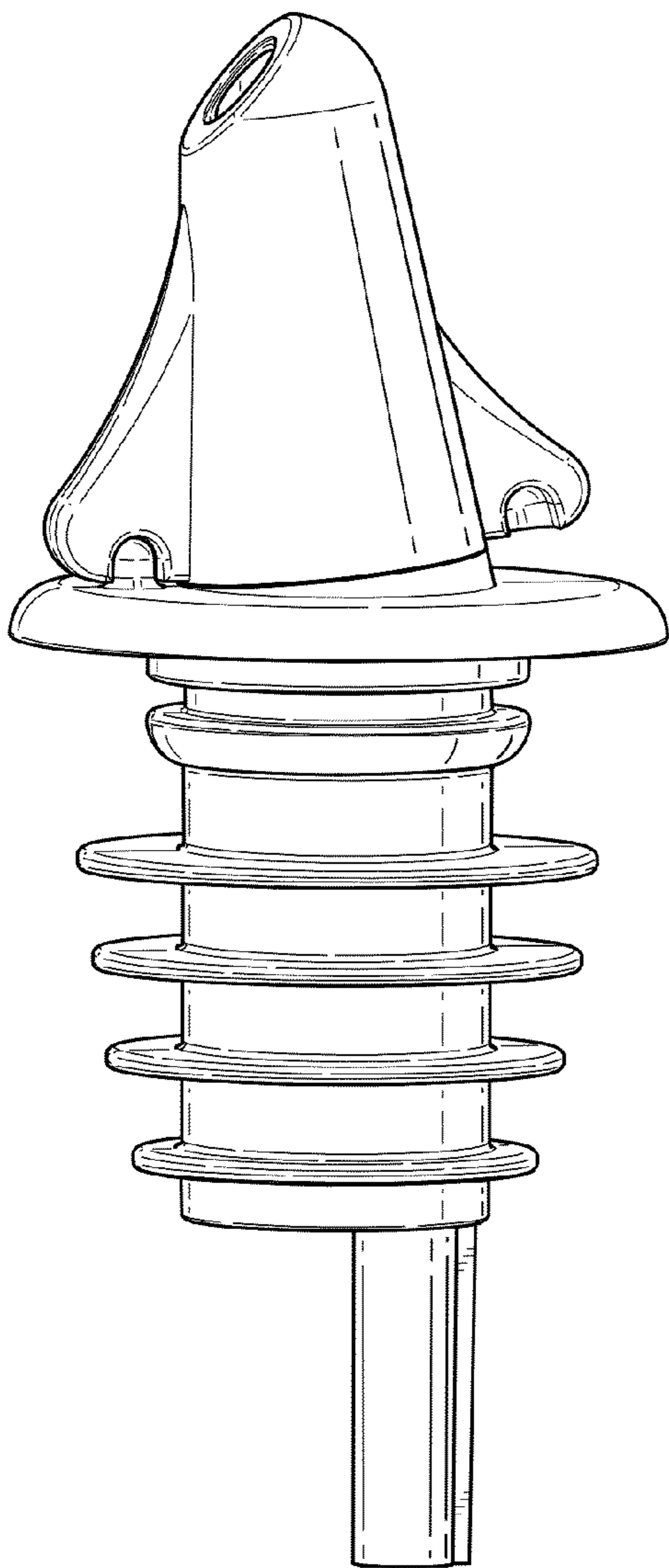
# US D678,768 S

Page 2

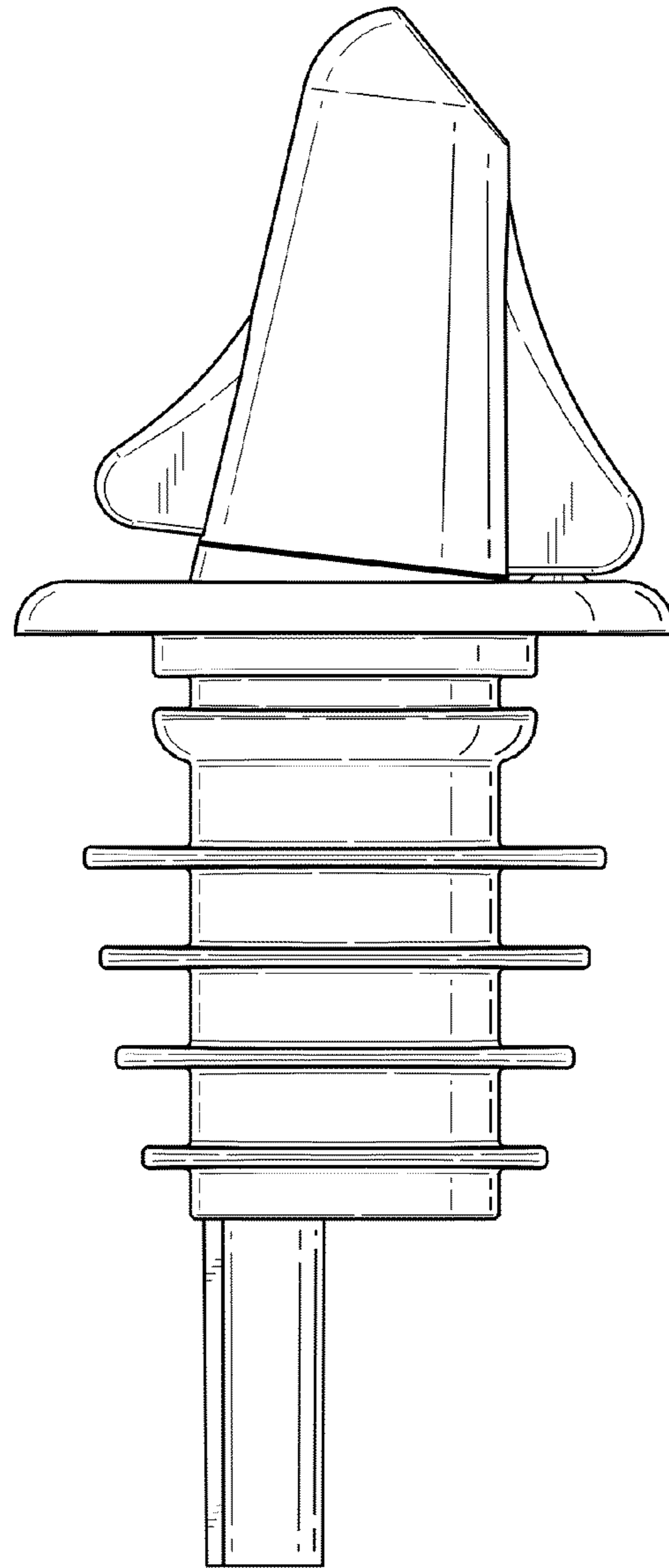
## U.S. PATENT DOCUMENTS

6,016,935	A	1/2000	Huegerich et al.	7,407,067	B2	8/2008	Kerkhof et al.
6,085,949	A	7/2000	Zimny et al.	D577,997	S *	10/2008	Pan ..... D9/440
6,123,225	A	9/2000	Peckels	D587,524	S *	3/2009	Allen et al. .... D7/398
6,138,849	A	10/2000	Roemer et al.	D591,594	S	5/2009	Gonzales, Jr.
6,149,022	A	11/2000	Akyildiz et al.	7,527,180	B2 *	5/2009	Allen et al. .... 222/481.5
6,315,160	B1	11/2001	Gaiser et al.	7,622,039	B2	11/2009	Farrell et al.
6,409,054	B1	6/2002	Garibaldi	D633,753	S	3/2011	White
6,488,186	B2	12/2002	Gaiser et al.	D639,421	S	6/2011	Sano et al.
D468,205	S	1/2003	Pierce	D652,251	S *	1/2012	Goralski et al. .... D7/397
6,568,660	B1	5/2003	Flanbaum	8,245,882	B1 *	8/2012	Federighi ..... 222/190
D484,801	S	1/2004	Pierce	2005/0194410	A1	9/2005	Pham
6,742,678	B1 *	6/2004	Krystopik, Jr. .... 222/481.5	2006/0000855	A1	1/2006	Allen et al.
D501,359	S *	2/2005	Bodum ..... D7/397	2008/0017675	A1	1/2008	Pressey
6,851,584	B2	2/2005	White	2008/0073383	A1	3/2008	McDonald
6,851,586	B2	2/2005	Odet	2008/0099514	A1	5/2008	Carter et al.
6,883,689	B2	4/2005	Odet	2008/0237178	A1	10/2008	Ochoa et al.
6,892,905	B2	5/2005	Cousseau	2008/0272147	A1	11/2008	Buker et al.
D513,180	S	12/2005	Lindsey et al.	2010/0006590	A1	1/2010	Withoos et al.
D529,799	S	10/2006	Jensen	2010/0038378	A1	2/2010	Gabler et al.
D533,776	S *	12/2006	Allen et al. .... D9/440	2010/0091605	A1	4/2010	Rasmussen et al.
7,237,692	B2	7/2007	Bodum	2011/0024383	A1	2/2011	McKenna et al.
7,300,580	B2	11/2007	Lindsey et al.				

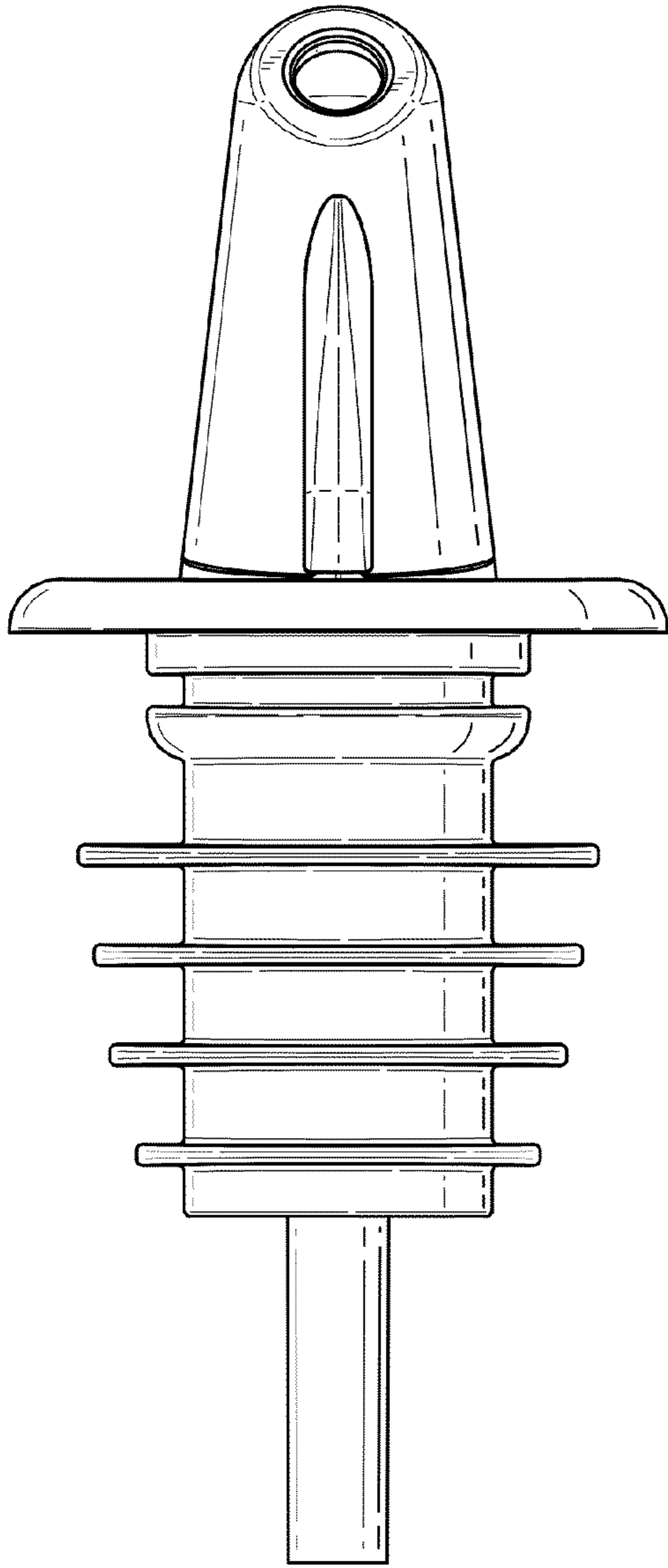
\* cited by examiner



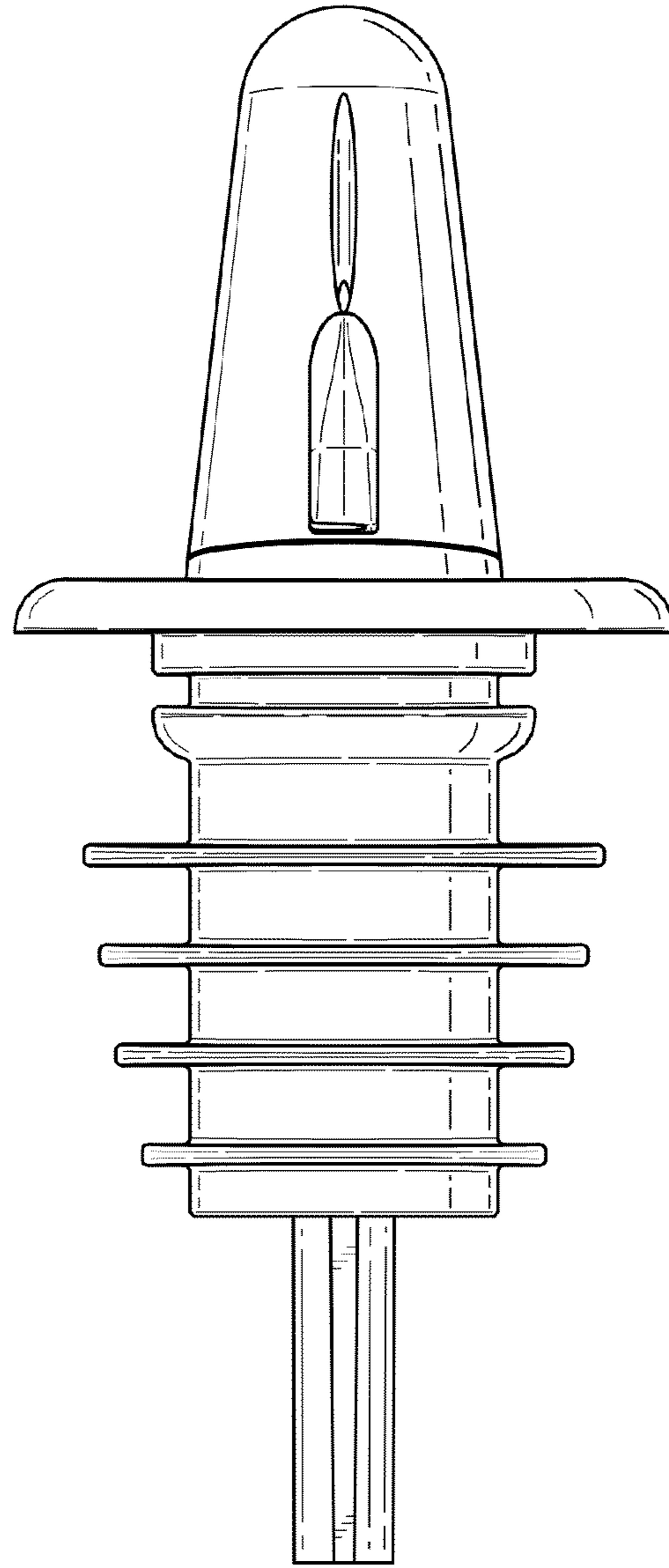
*FIG. 1*



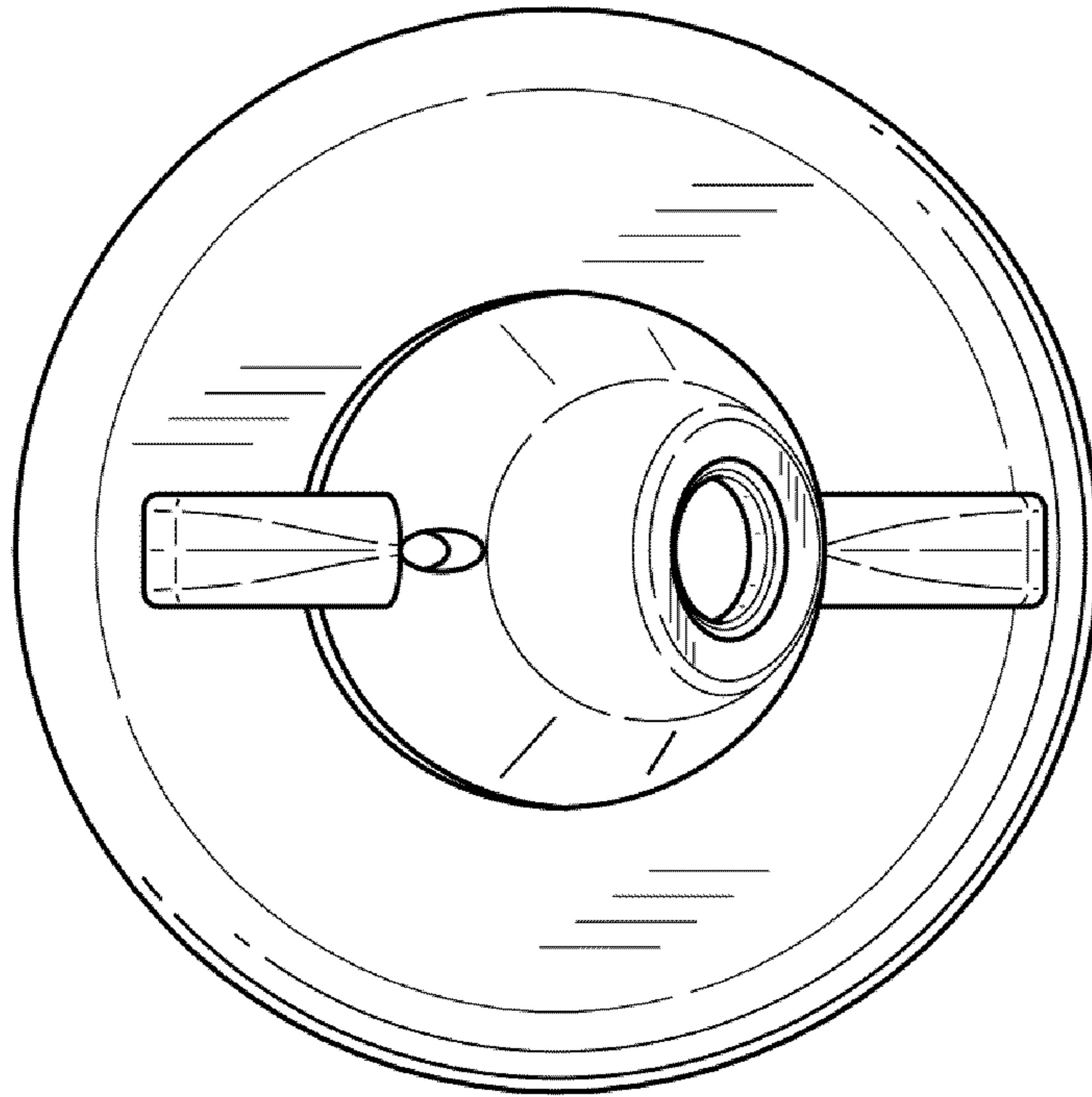
*FIG. 2*



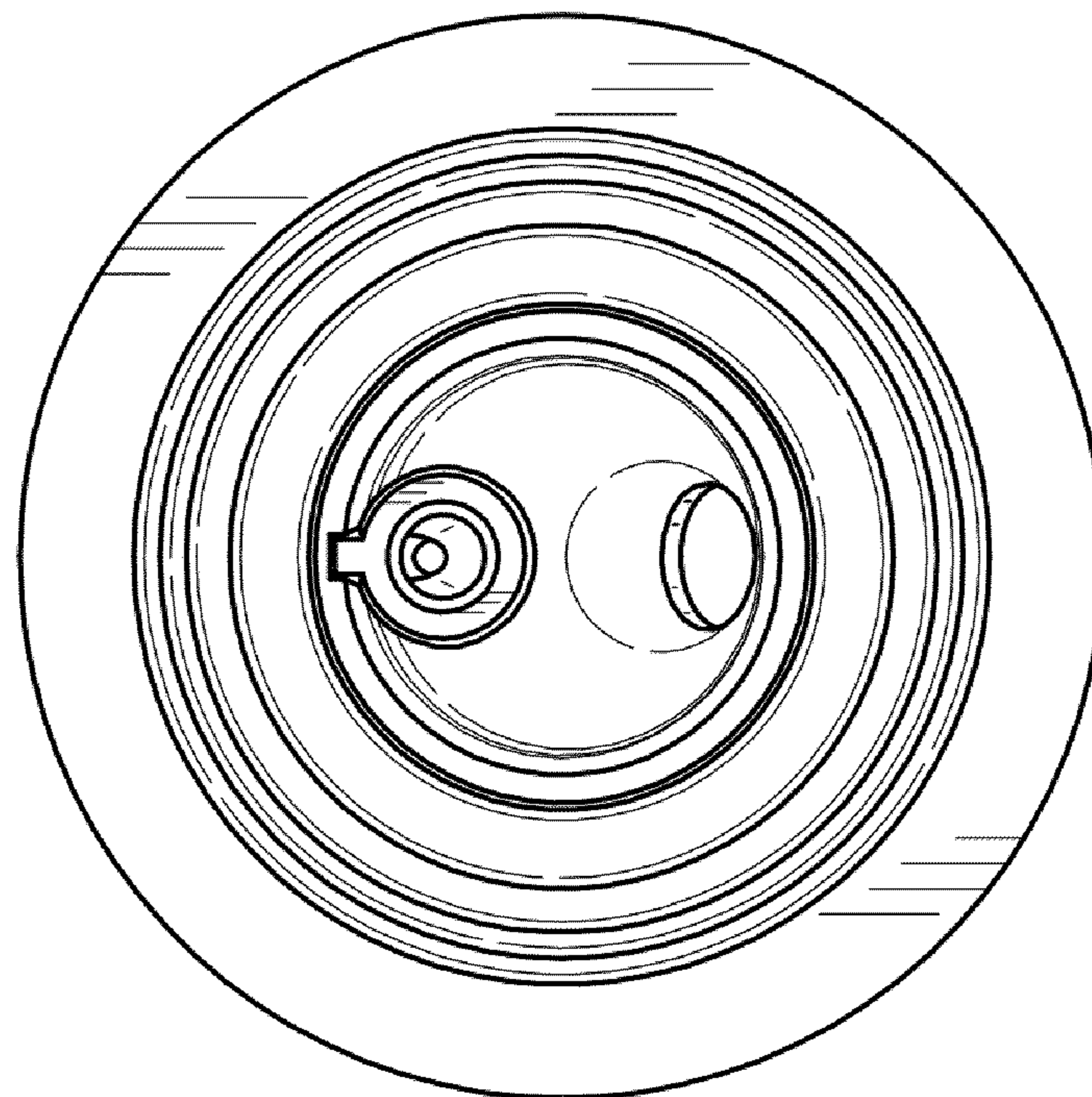
*FIG. 3*



*FIG. 4*



*FIG. 5*



*FIG. 6*