



US00D678767S

(12) **United States Design Patent**
Haley

(10) **Patent No.:** **US D678,767 S**
(45) **Date of Patent:** **** Mar. 26, 2013**

- (54) **REUSABLE BOTTLE STOPPER**
 - (75) Inventor: **James E. Haley**, Oak Brook, IL (US)
 - (73) Assignee: **The Vinum Corporation**, Oak Brook, IL (US)
 - (**) Term: **14 Years**
 - (21) Appl. No.: **29/373,811**
 - (22) Filed: **May 24, 2011**
 - (51) **LOC (9) Cl.** **09-07**
 - (52) **U.S. Cl.** **D9/440; D9/446**
 - (58) **Field of Classification Search** D9/454, D9/453, 449, 447, 446, 443, 440, 439, 417; D7/396.2, 392.1, 300, 321, 398; 222/556, 222/484; 220/837, 715, 259.2, 254.2-254.5; 215/306, 235, 236
- See application file for complete search history.

4,637,530 A	1/1987	Jiang	
D296,524 S	7/1988	Schneider	
D318,427 S	7/1991	Sherburne, Jr.	
5,228,603 A	7/1993	Pham et al.	
5,417,860 A	5/1995	Kay	
5,609,759 A	3/1997	Nohren, Jr. et al.	
5,616,242 A	4/1997	Mandola	
5,688,397 A	11/1997	Malmborg	
5,799,836 A	9/1998	Lee	
D404,464 S	1/1999	Niemczyk	
D404,646 S	1/1999	Black, Sr. et al.	
D418,417 S	1/2000	Hollinger	
D437,782 S	2/2001	Haley et al.	
D464,262 S	10/2002	Drennow	
D466,016 S *	11/2002	Serrano et al.	D9/442
6,565,743 B1	5/2003	Poirier et al.	
D487,227 S	3/2004	Haley	
8,123,086 B2	2/2012	Haley	

OTHER PUBLICATIONS

European Patent Office, Communication pursuant to Article 94(3) EPC, May 24, 2012, Application No. 04782356.2.
 European Patent Office, Supplementary European Search Report, Jun. 29, 2011, Application No. 04782356.2.

* cited by examiner

Primary Examiner — Susan Bennett Hattan
 (74) *Attorney, Agent, or Firm* — Ryndak & Suri LLP

(56) **References Cited**

U.S. PATENT DOCUMENTS

1,087,758 A	2/1914	Goodwin	
1,164,453 A	12/1915	Belles	
2,812,113 A	11/1957	Beall, Jr.	
2,872,060 A	2/1959	Brune et al.	
2,915,223 A	12/1959	Beall, Jr.	
2,968,423 A	1/1961	Mahler et al.	
3,081,912 A	3/1963	Goceliak	
3,168,221 A	2/1965	Parker	
3,283,964 A	11/1966	Anderson	
3,307,752 A	3/1967	Anderson	
3,323,691 A	6/1967	Ruetz	
3,330,450 A	7/1967	Clare	
3,628,697 A	12/1971	Dowson	
D223,900 S *	6/1972	Douglas et al.	D9/446
3,762,612 A	10/1973	Miller	
3,926,348 A	12/1975	Lutzker	
4,078,700 A	3/1978	Hidding	
4,128,189 A	12/1978	Baxter	
4,243,157 A	1/1981	Rettberg	
D261,212 S	10/1981	Mills	
4,345,704 A	8/1982	Boughton	
4,347,946 A	9/1982	Nichols	
4,398,652 A	8/1983	Ueda et al.	
4,605,225 A	8/1986	Zimmermann	

(57) **CLAIM**

The ornamental design for a reusable bottle stopper, as shown and described.

DESCRIPTION

FIG. 1 is a perspective view of a reusable bottle stopper showing my new design in the opened position;
 FIG. 2 is a left side elevation view thereof;
 FIG. 3 is a front elevation view thereof;
 FIG. 4 is a top plan view thereof;
 FIG. 5 is a right side elevation view thereof;
 FIG. 6 is a rear elevation view thereof;
 FIG. 7 is a bottom plan view thereof;
 FIG. 8 is a front perspective view thereof showing the reusable bottle stopper in the closed position;
 FIG. 9 is a left side elevation view thereof showing the reusable bottle stopper in the closed position;

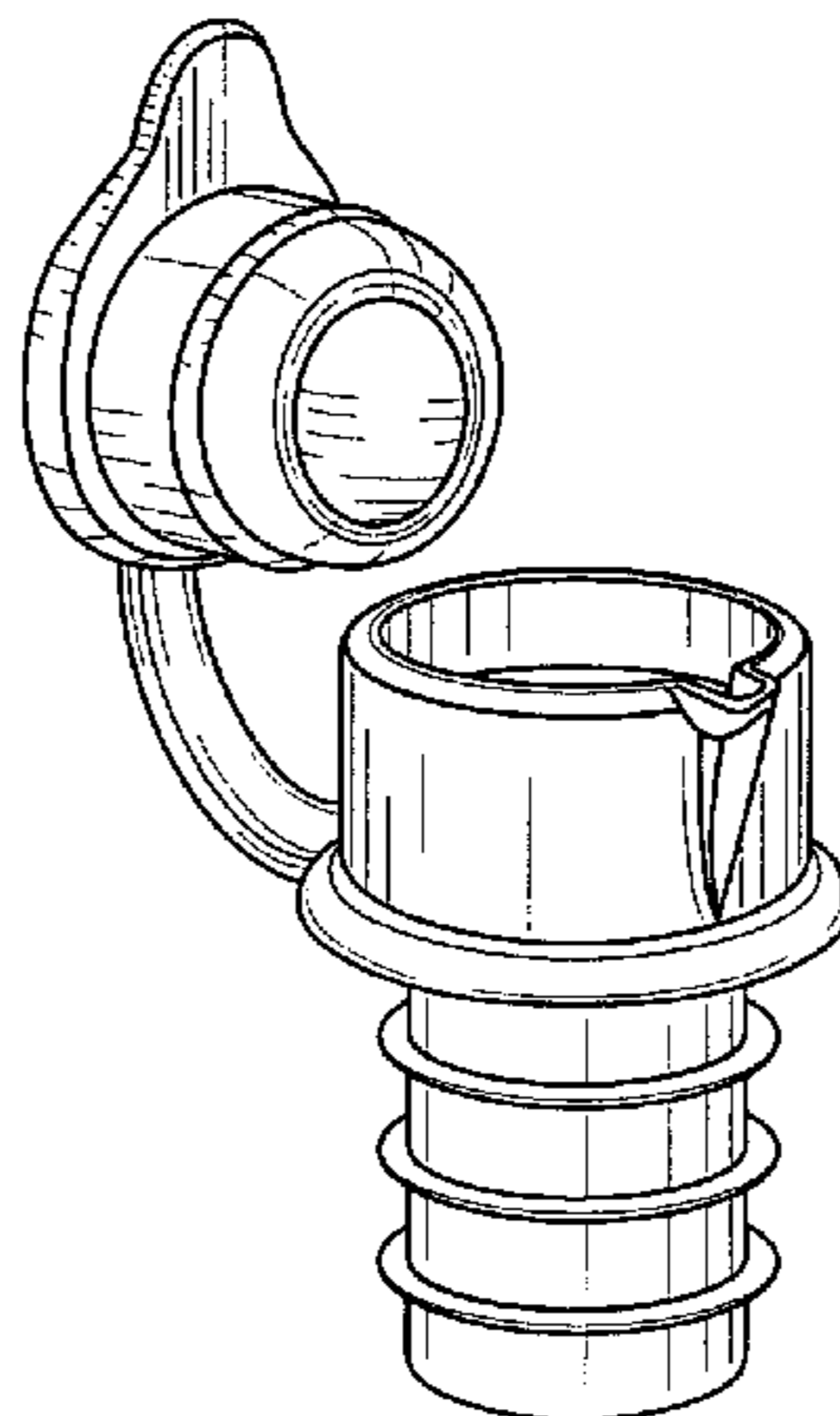


FIG. **10** is a perspective view of another embodiment of a reusable bottle stopper in the opened position;
FIG. **11** is a left side elevation view thereof;
FIG. **12** is a front elevation view thereof;
FIG. **13** is a top plan view thereof;
FIG. **14** is a right side elevation view thereof;
FIG. **15** is a rear elevation view thereof;

FIG. **16** is a bottom plan view thereof;
FIG. **17** is a front perspective view thereof showing the reusable bottle stopper in the closed position; and,
FIG. **18** is a left side elevation view thereof showing the reusable bottle stopper in the closed position.

1 Claim, 4 Drawing Sheets

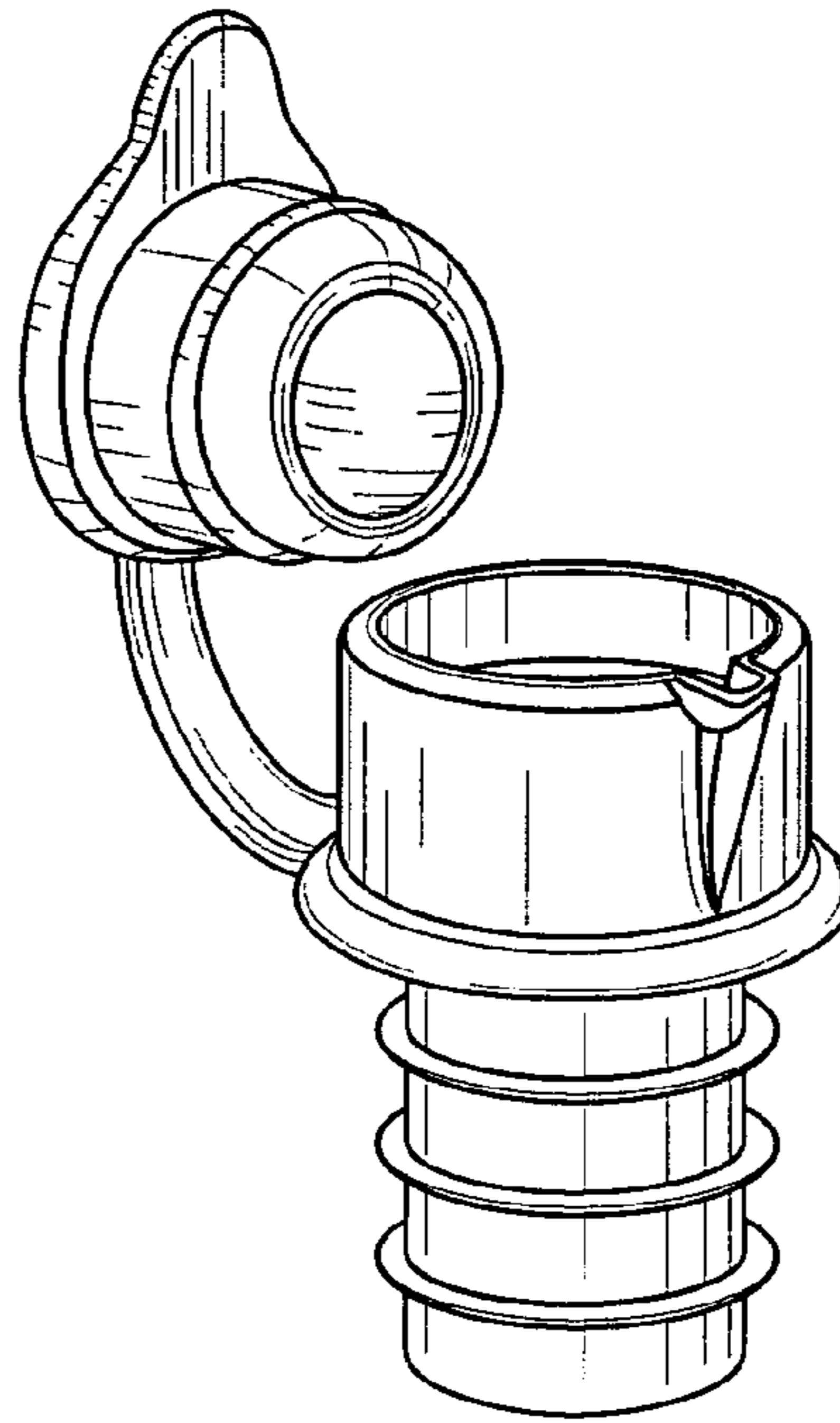


Fig. 1

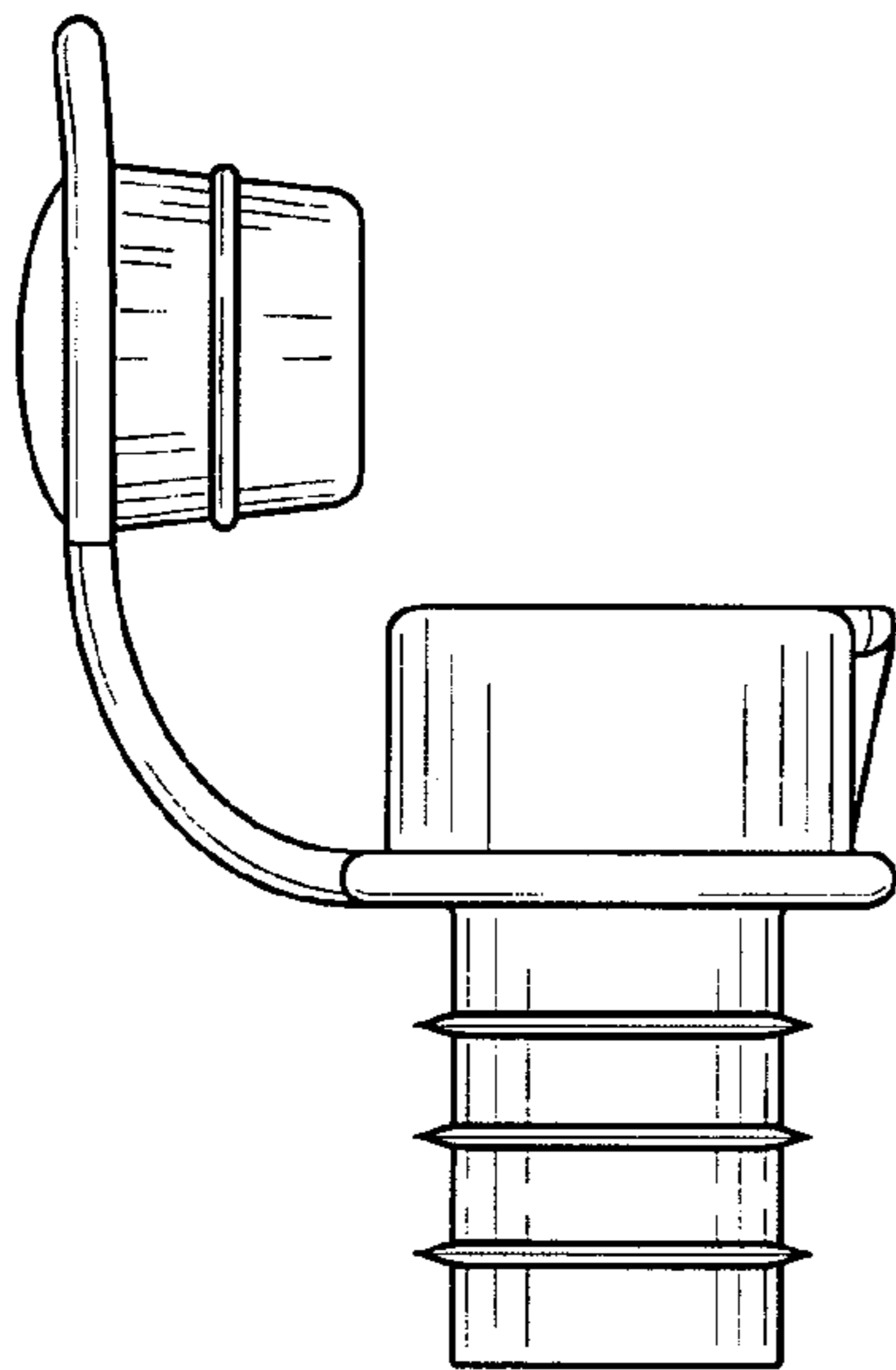


Fig. 2

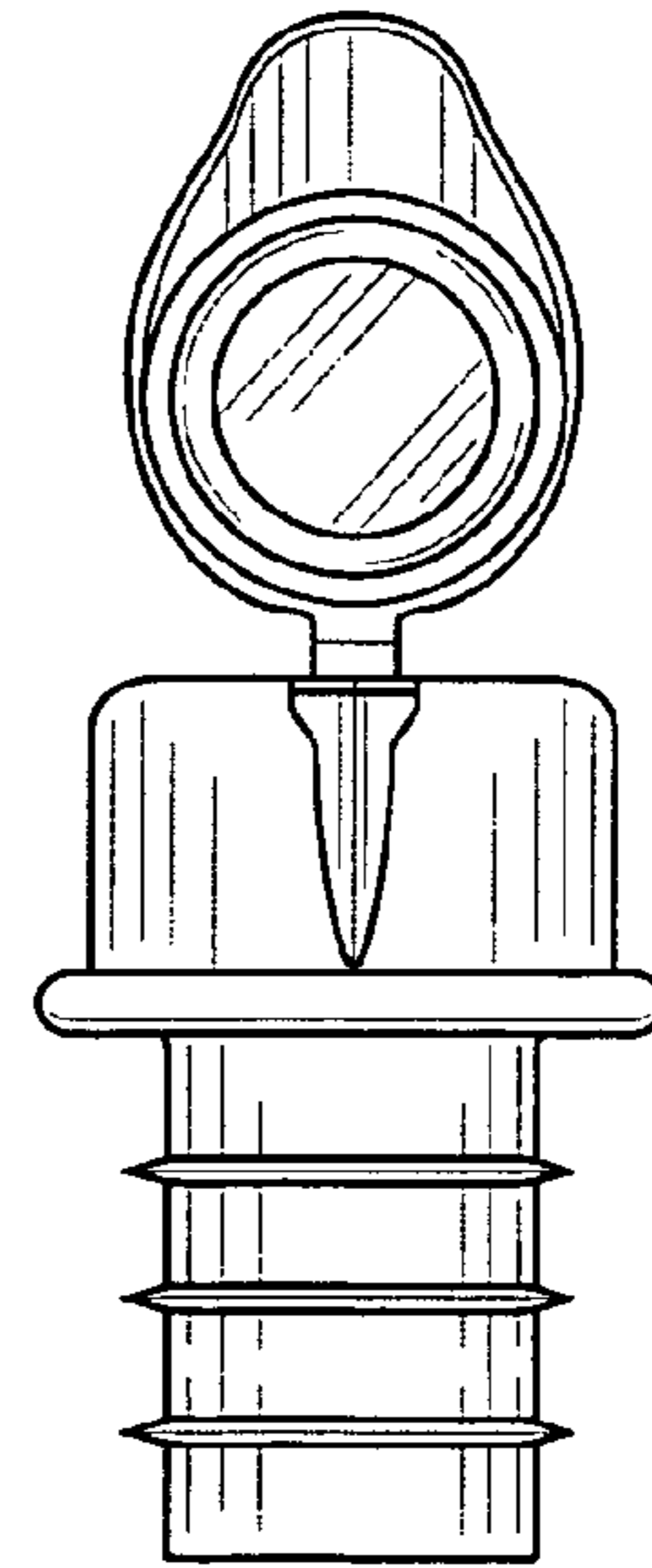


Fig. 3

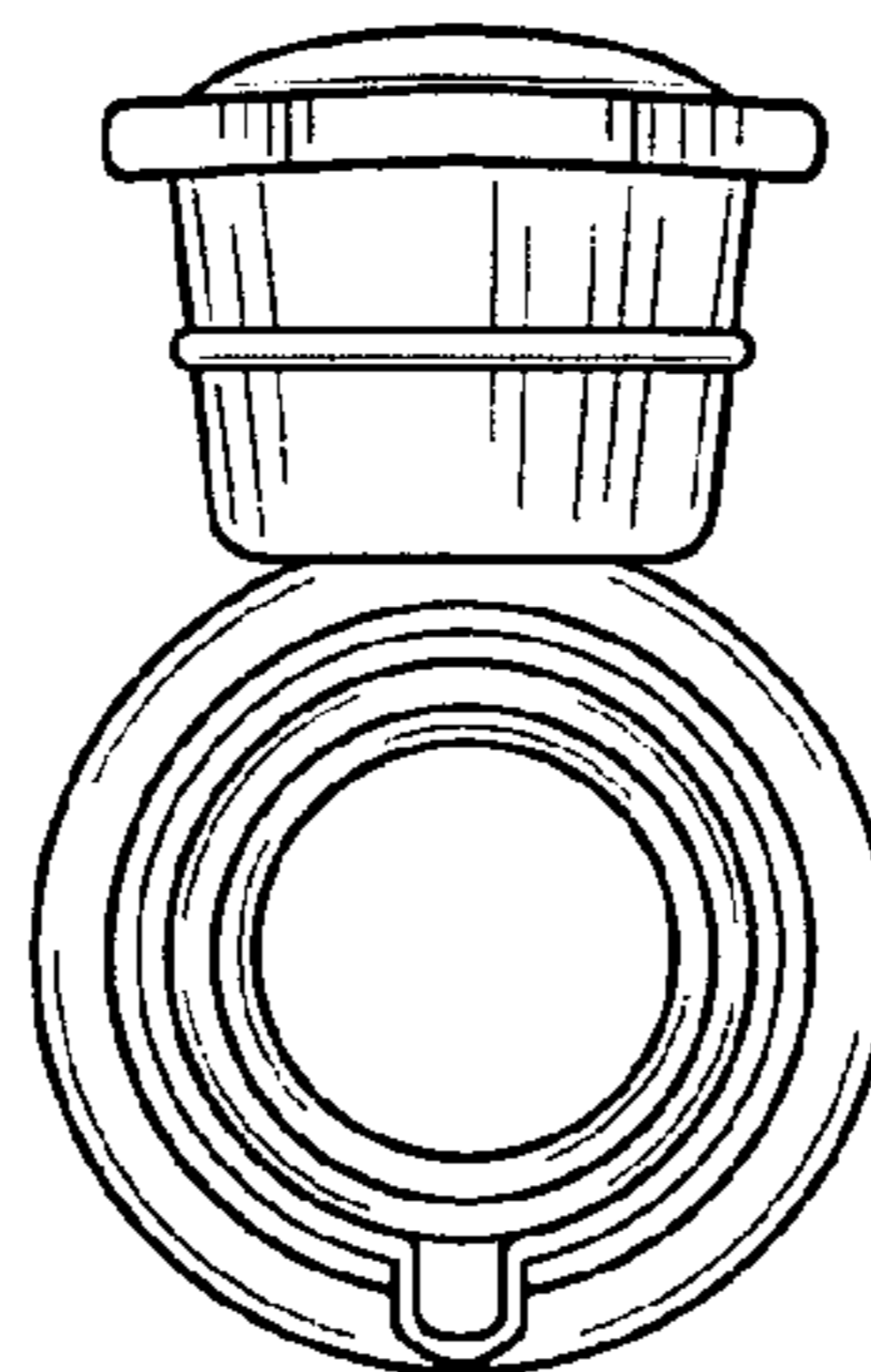


Fig. 4

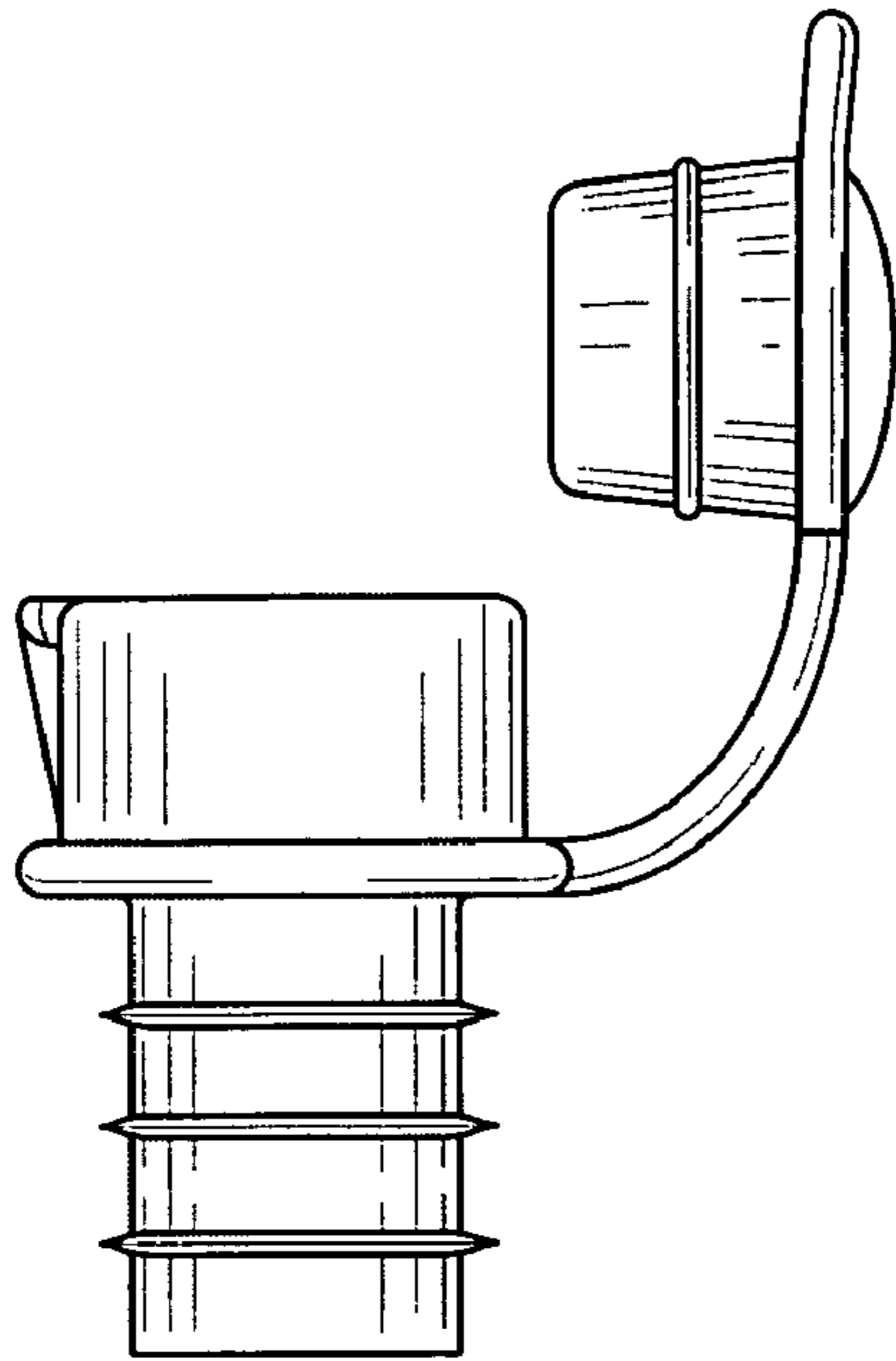


Fig. 5

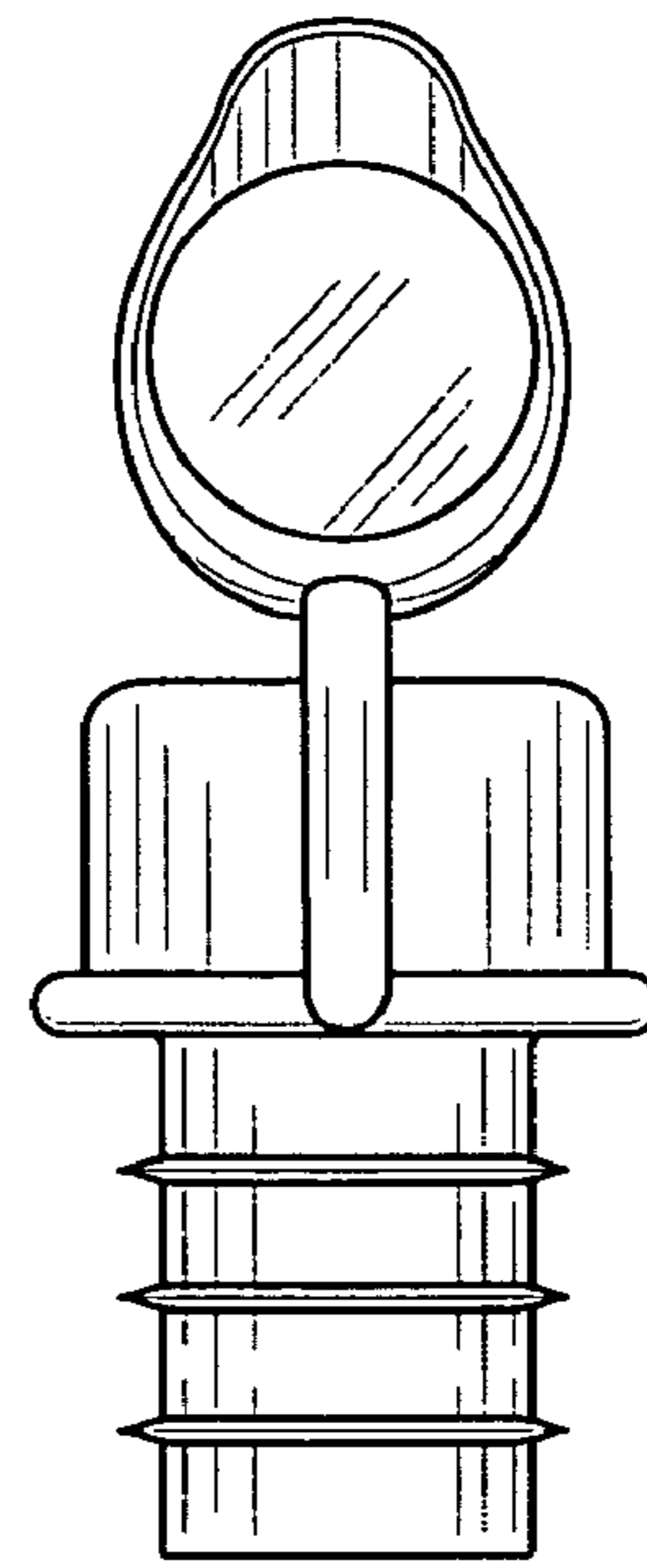


Fig. 6

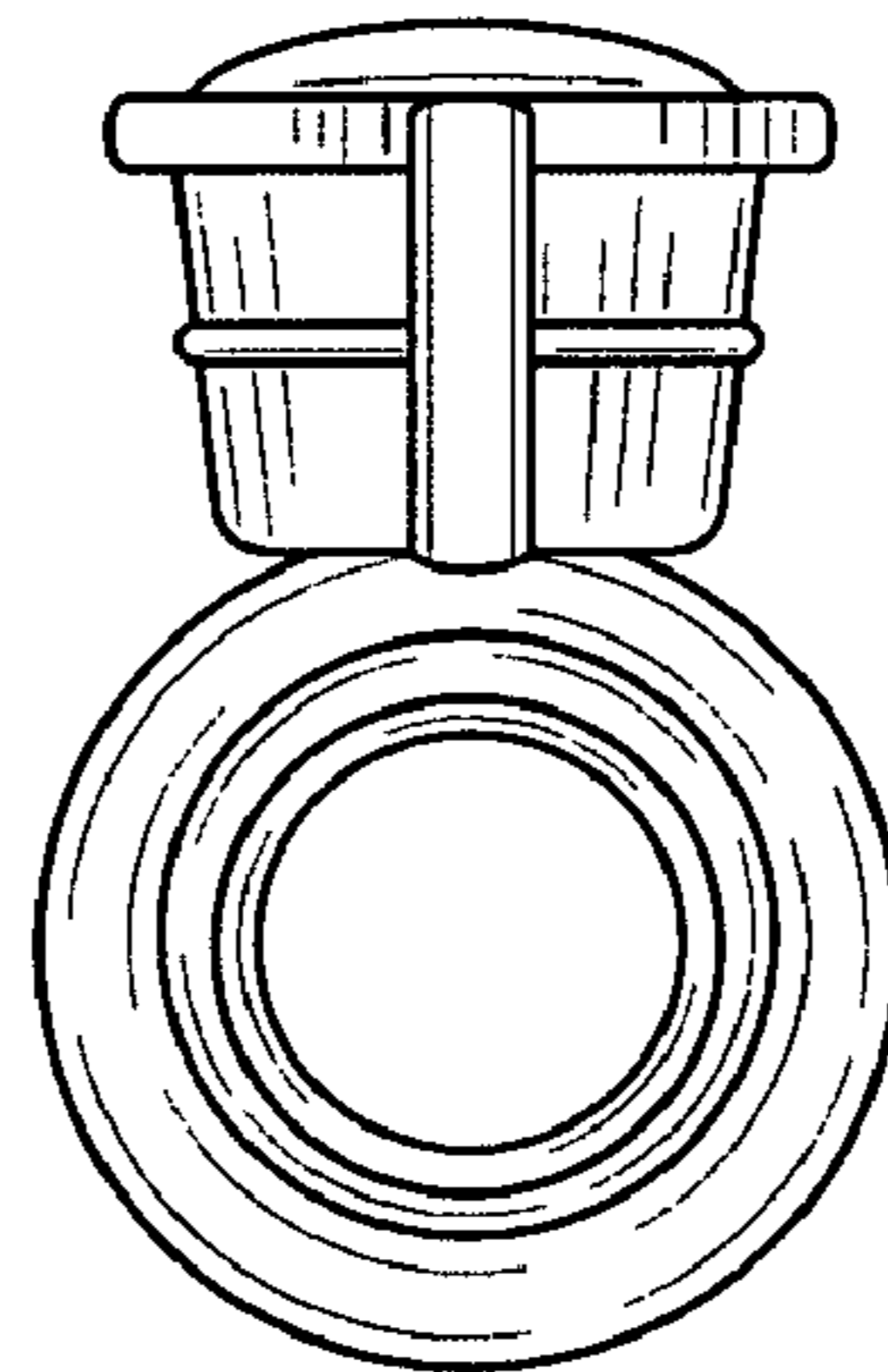


Fig. 7

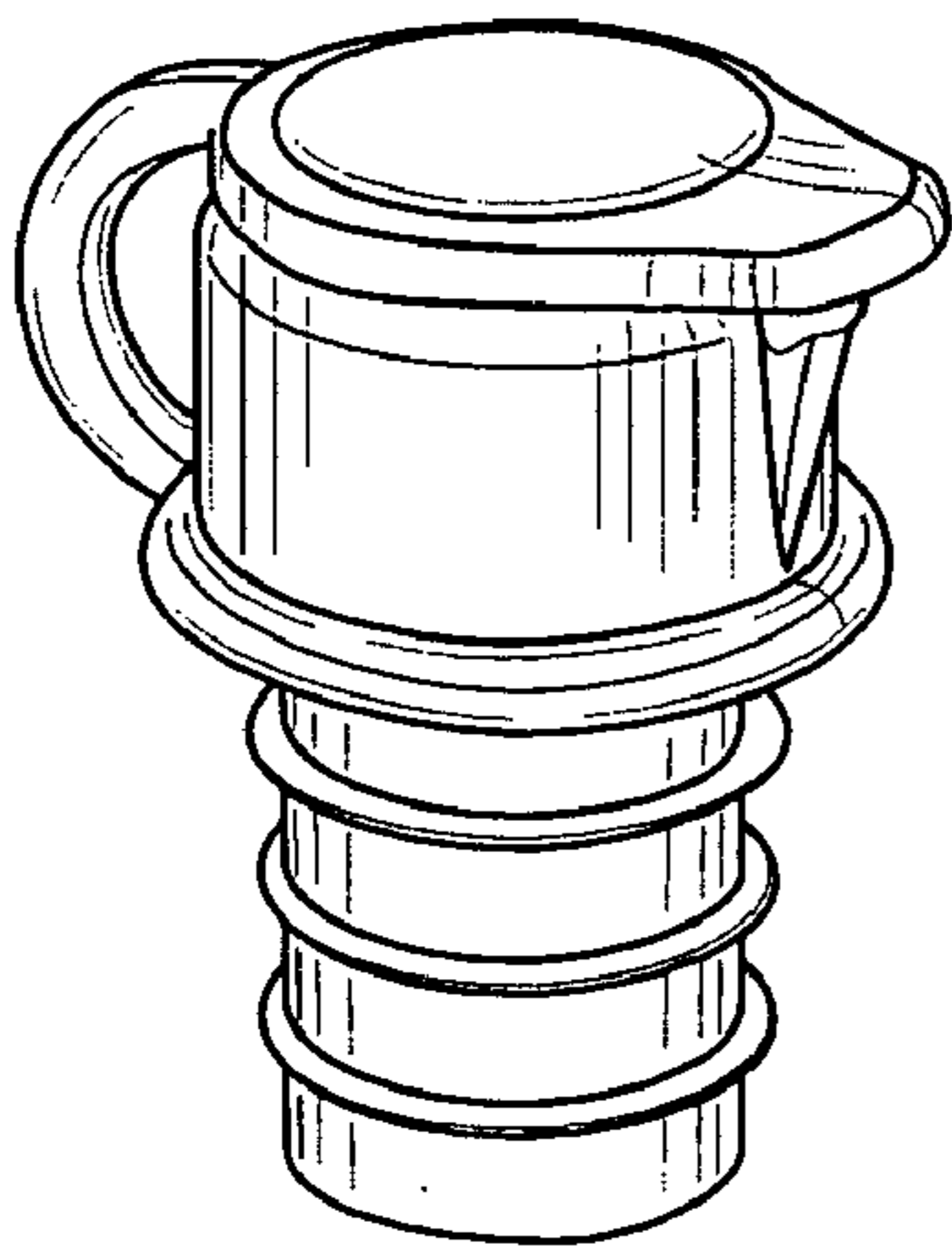


Fig. 8

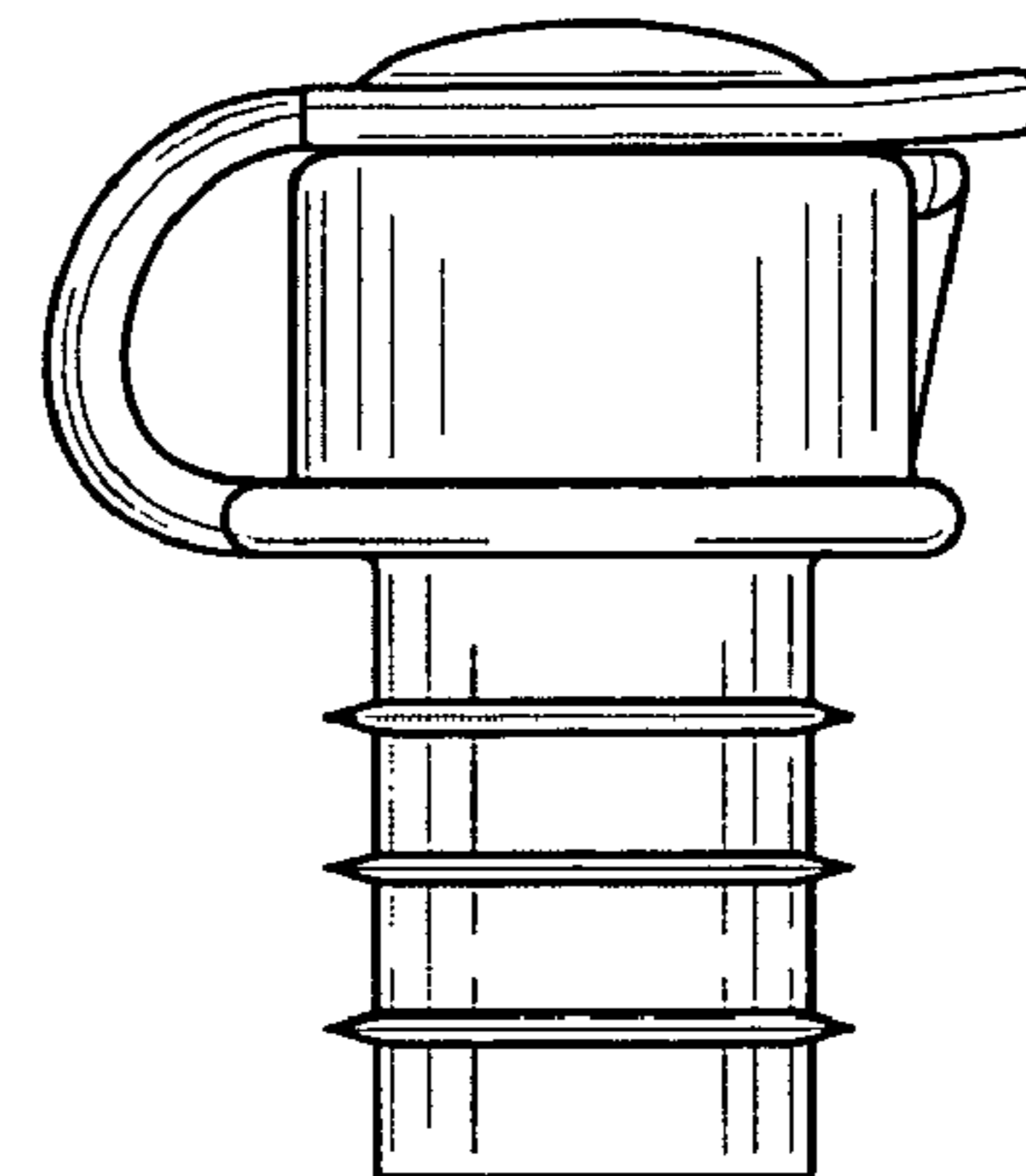


Fig. 9

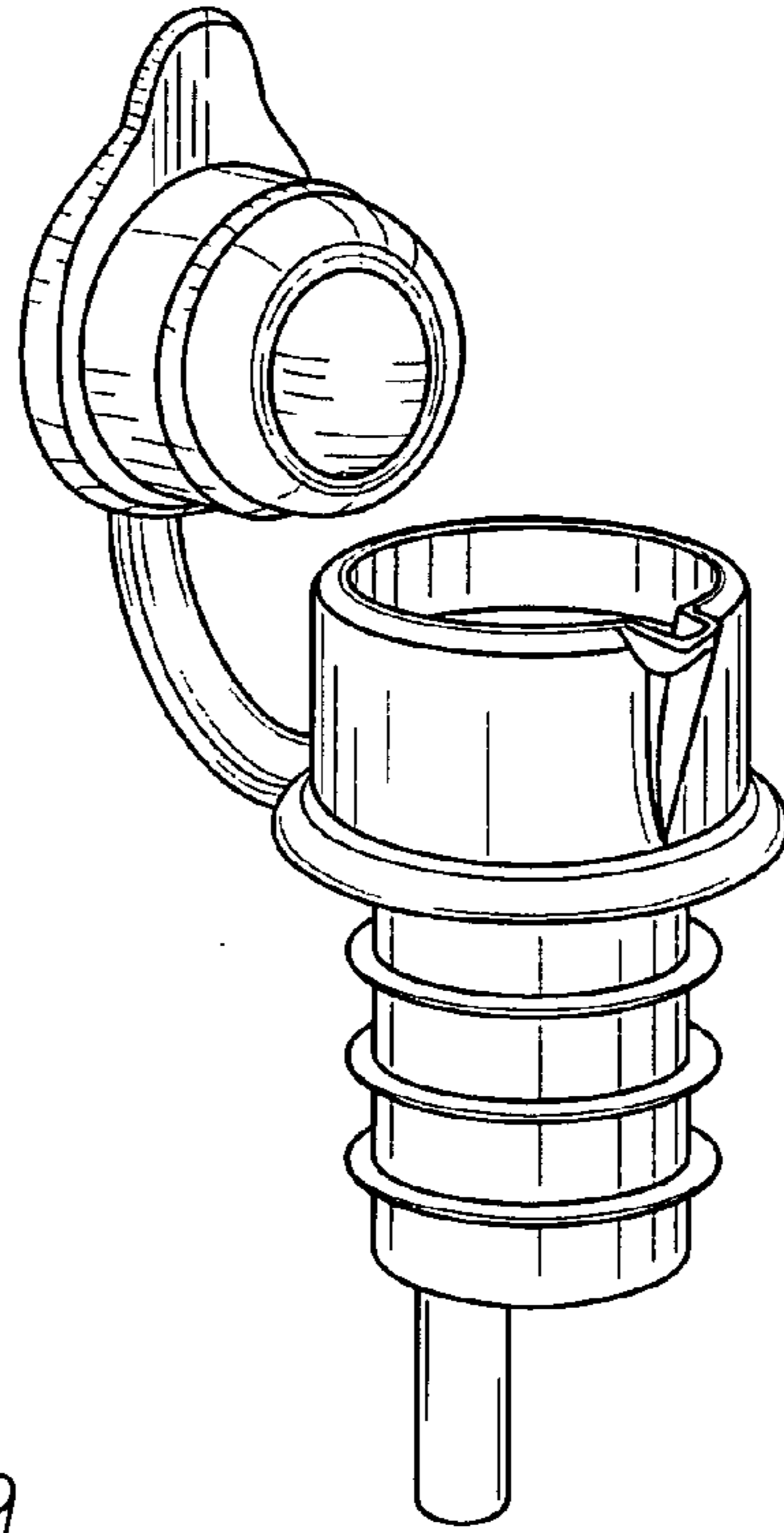


Fig. 10

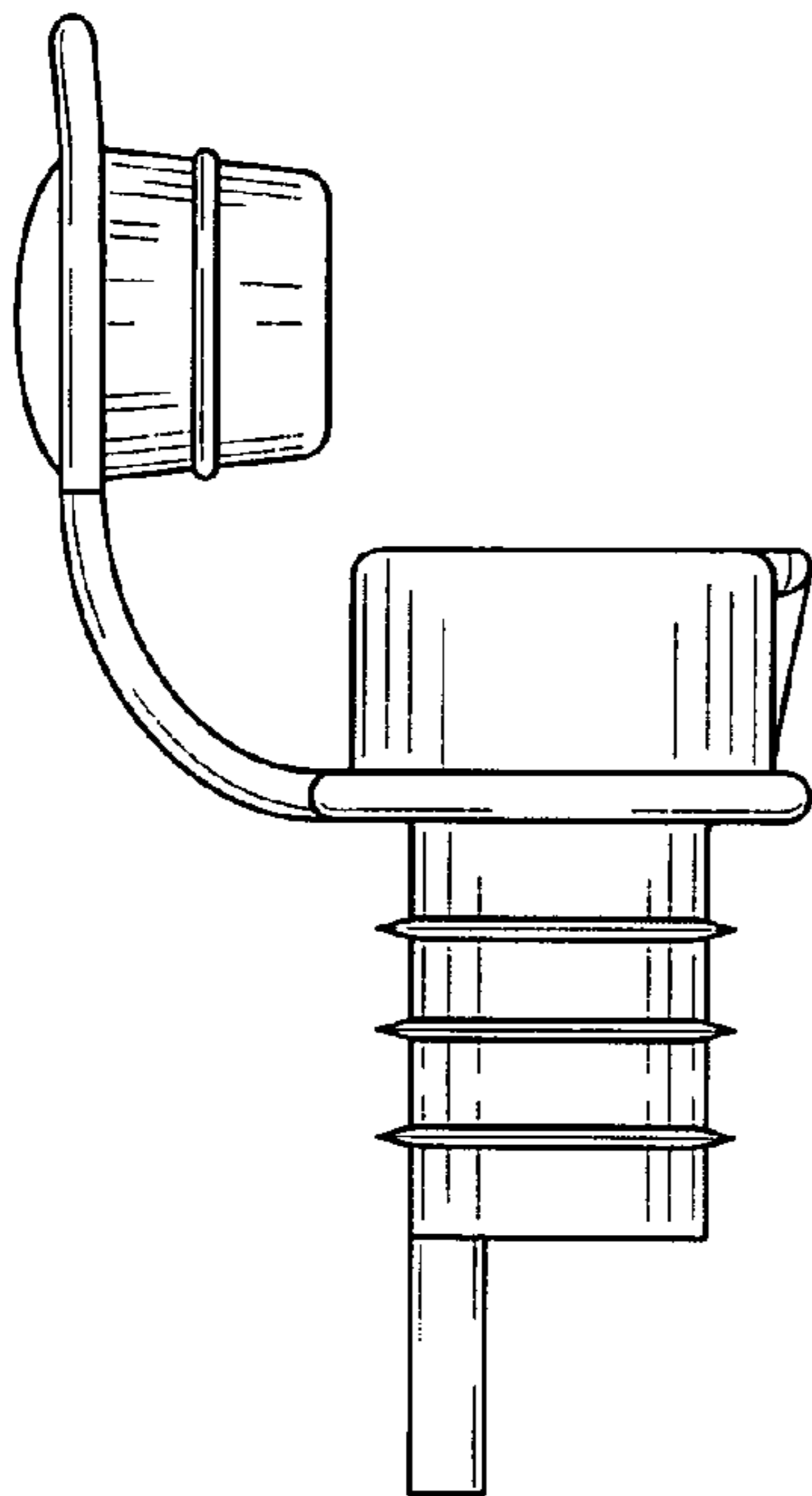


Fig. 11

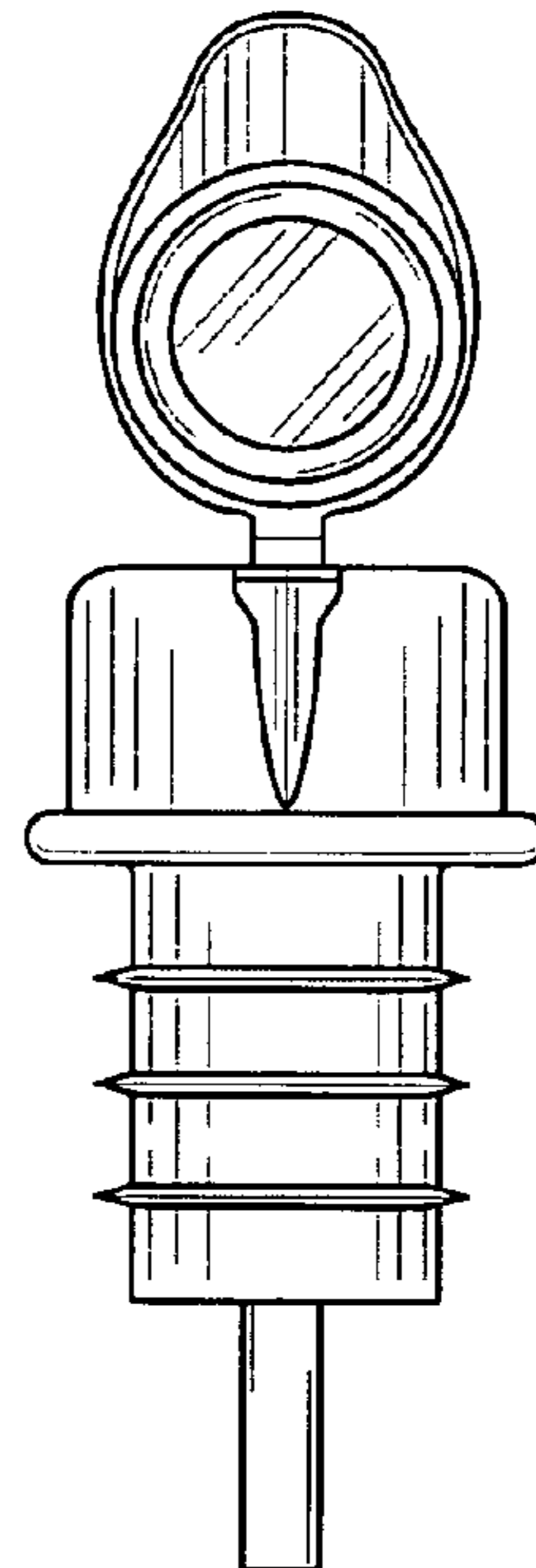


Fig. 12

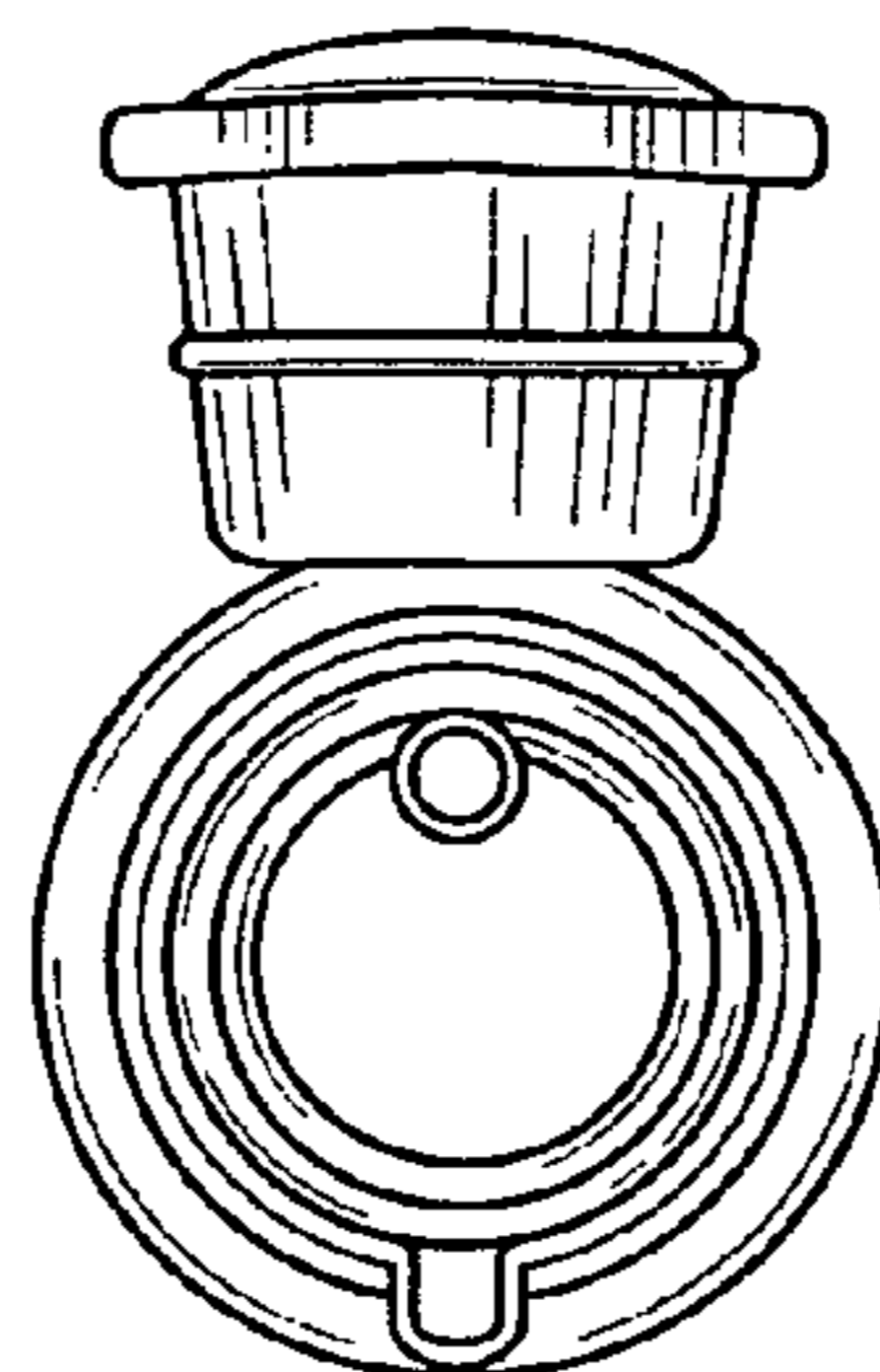


Fig. 13

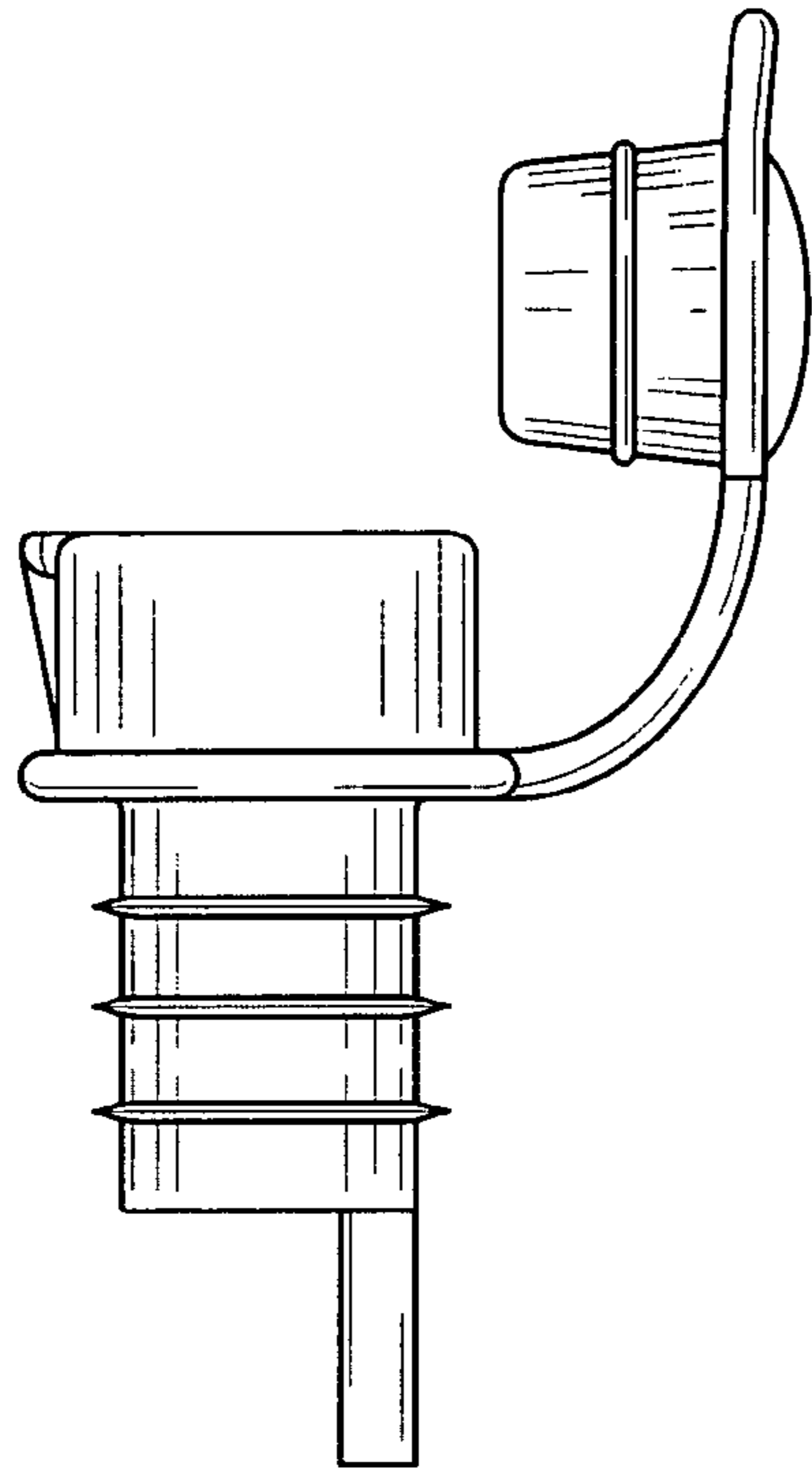


Fig. 14

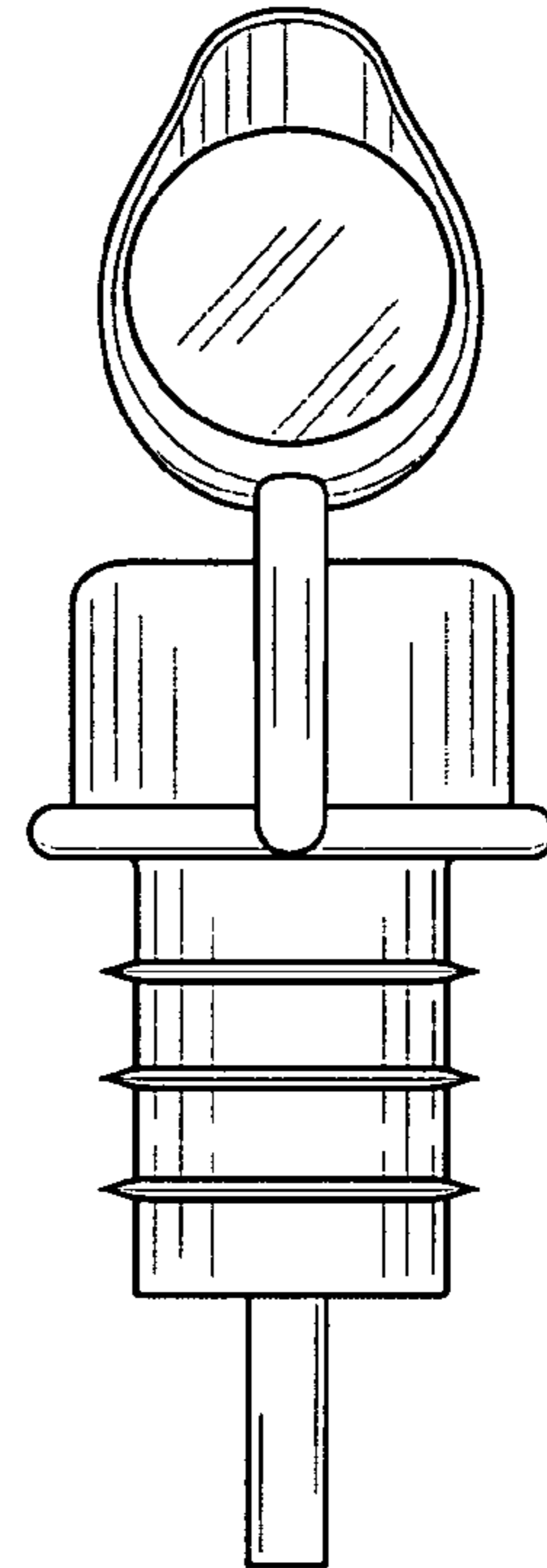


Fig. 15

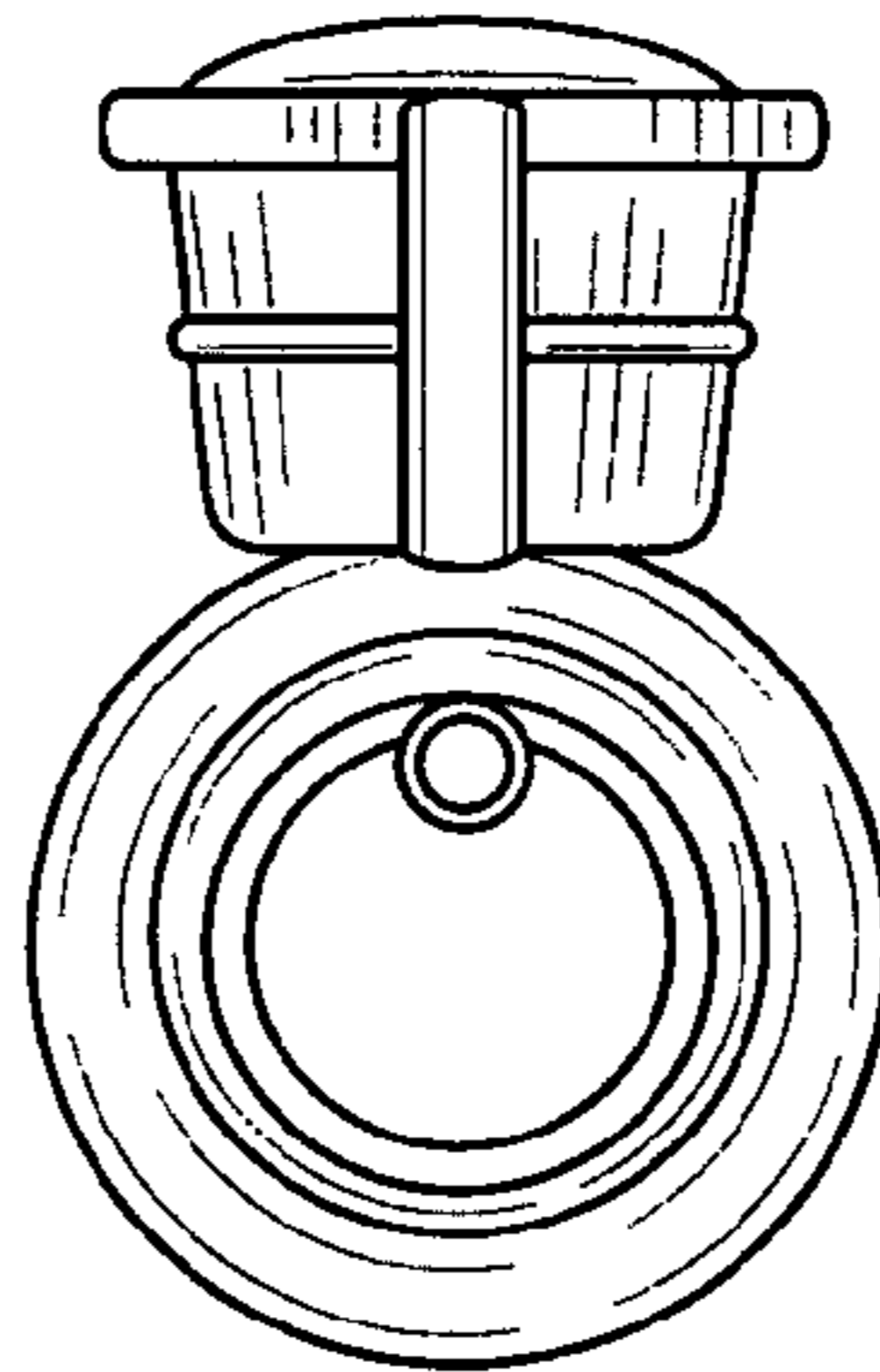


Fig. 16

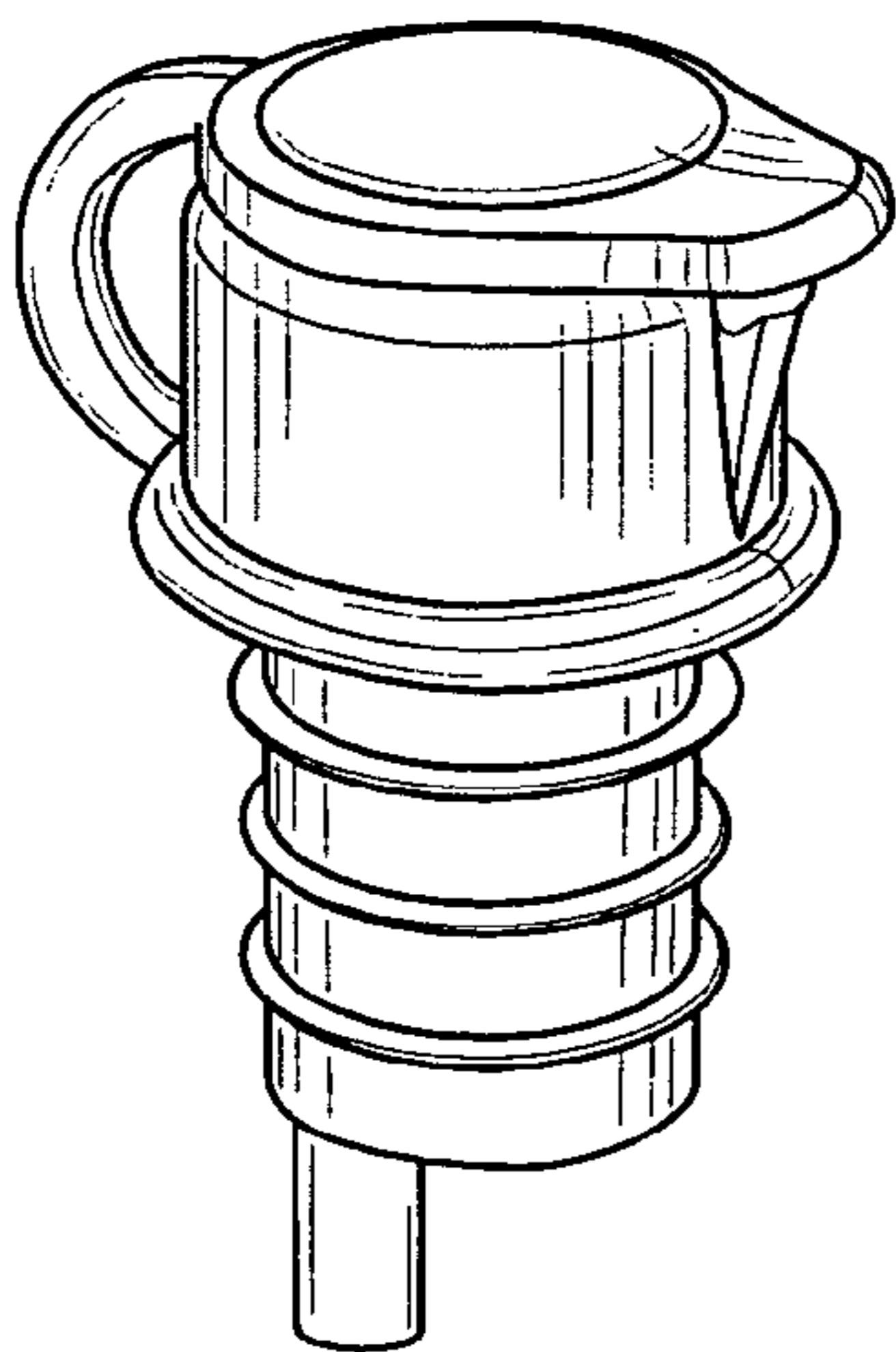


Fig. 17

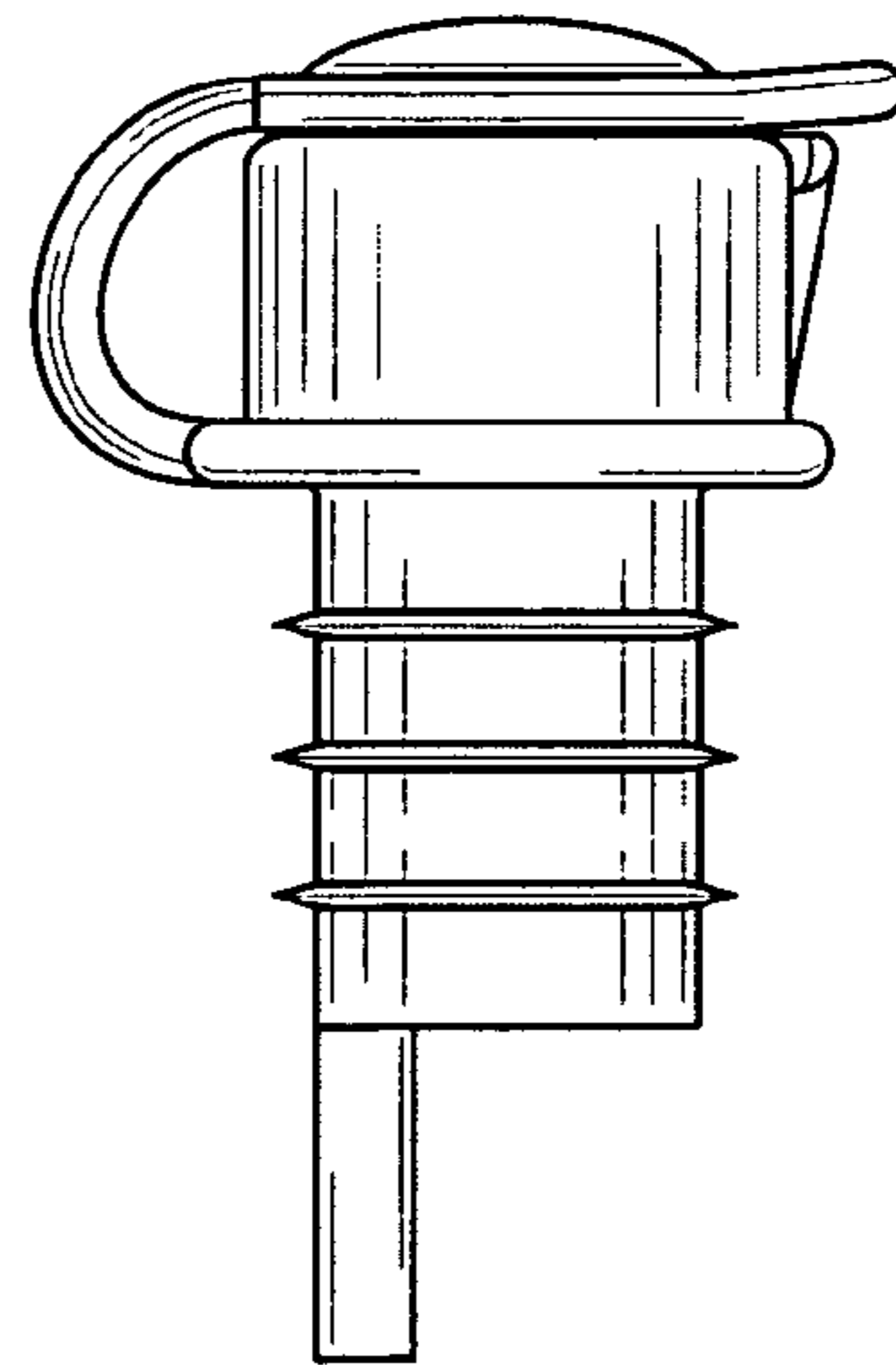


Fig. 18