



US00D678765S

(12) **United States Design Patent**
Brown

(10) **Patent No.:** **US D678,765 S**
(45) **Date of Patent:** **** Mar. 26, 2013**

(54) **DISPENSER HEAD CHANNEL**
(75) Inventor: **James Brown**, Armonk, NY (US)
(73) Assignee: **Biomed Packaging Systems Inc.**,
Norwalk, CT (US)
(**) Term: **14 Years**
(21) Appl. No.: **29/413,732**

Primary Examiner — Susan Bennett Hattan
(74) *Attorney, Agent, or Firm* — Andrew F. Young, Esq.;
Lackebach Siegel, LLP

(22) Filed: **Feb. 20, 2012**
(51) **LOC (9) Cl.** **09-07**
(52) **U.S. Cl.** **D9/434**
(58) **Field of Classification Search** D9/724,
D9/688, 686, 454, 450, 449, 448, 447, 435,
D9/434; D28/7; 239/333; 222/95, 536,
222/402.1, 153.14, 153.05, 153.04; 220/200;
215/200; D25/124
See application file for complete search history.

(57) **CLAIM**
The ornamental design for a dispenser head channel, as
shown and described.

DESCRIPTION

FIG. 1 is a front right perspective view of a dispenser head
channel surface showing our new design.
FIG. 2 is a front plan view of FIG. 1.
FIG. 3 is a rear plan view of FIG. 1.
FIG. 4 is a right side elevational view of FIG. 1, along Sec. 4-4
shown in FIG. 2.
FIG. 5 is a left side elevational view of FIG. 1, along Sec. 5-5
shown in FIG. 2.
FIG. 6 is a top plan view of FIG. 1, along Sec. 6-6 shown in
FIG. 2; and,
FIG. 7 is a bottom plan view of FIG. 1, along Sec. 7-7 shown
in FIG. 2.

(56) **References Cited**

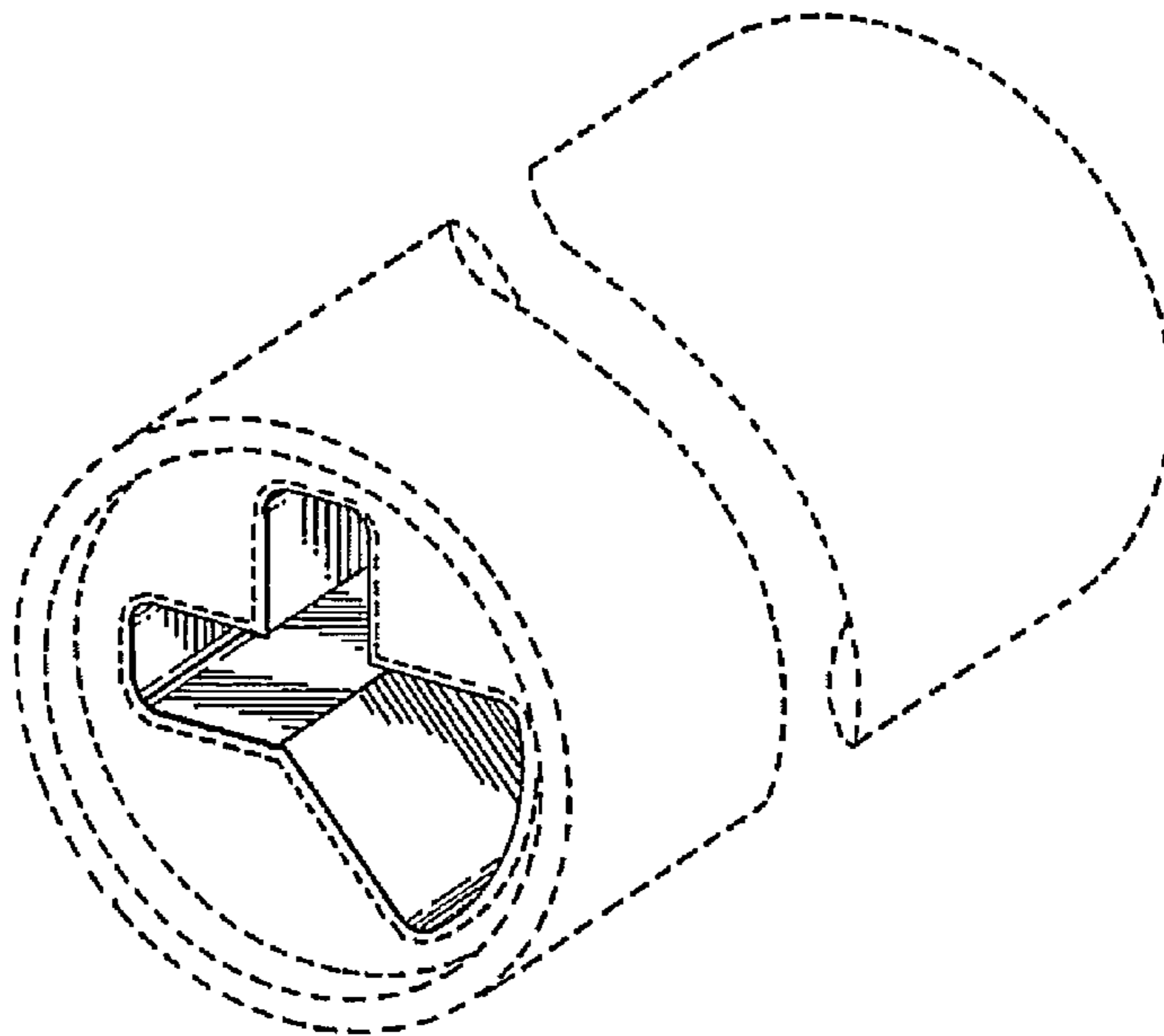
U.S. PATENT DOCUMENTS

D49,667	S *	9/1916	Landine	D25/124
D50,050	S *	12/1916	Landine	D25/124
1,284,635	A *	11/1918	Ford	222/541.1
3,473,681	A *	10/1969	Samuel, Jr.	215/204
4,328,907	A *	5/1982	Beard	221/63
D296,765	S *	7/1988	Urion	D9/434
D447,946	S *	9/2001	Tsuruishi et al.	D9/434
D473,790	S *	4/2003	Nottingham et al.	D9/434
6,554,156	B1 *	4/2003	Chong	221/63
D487,398	S *	3/2004	Bremner et al.	D9/434
2007/0205233	A1 *	9/2007	Petit et al.	222/545

The portions shown in FIGS. 1-7 in dashed lines, designate
features that are not claimed and are shown for illustration
purposes only, and do not contribute to the claimed design.
The dashed lines noted in FIGS. 1-7 denote that no claim is
made to the exterior shape surrounding the dispenser head
channel surface which passes therethrough. The dispenser
head channel surface is shown with a symbolic break in its
length in FIGS. 1 and 4-7 to indicate that any portion of the
article between the break lines forms no part of the claimed
design.

* cited by examiner

1 Claim, 3 Drawing Sheets



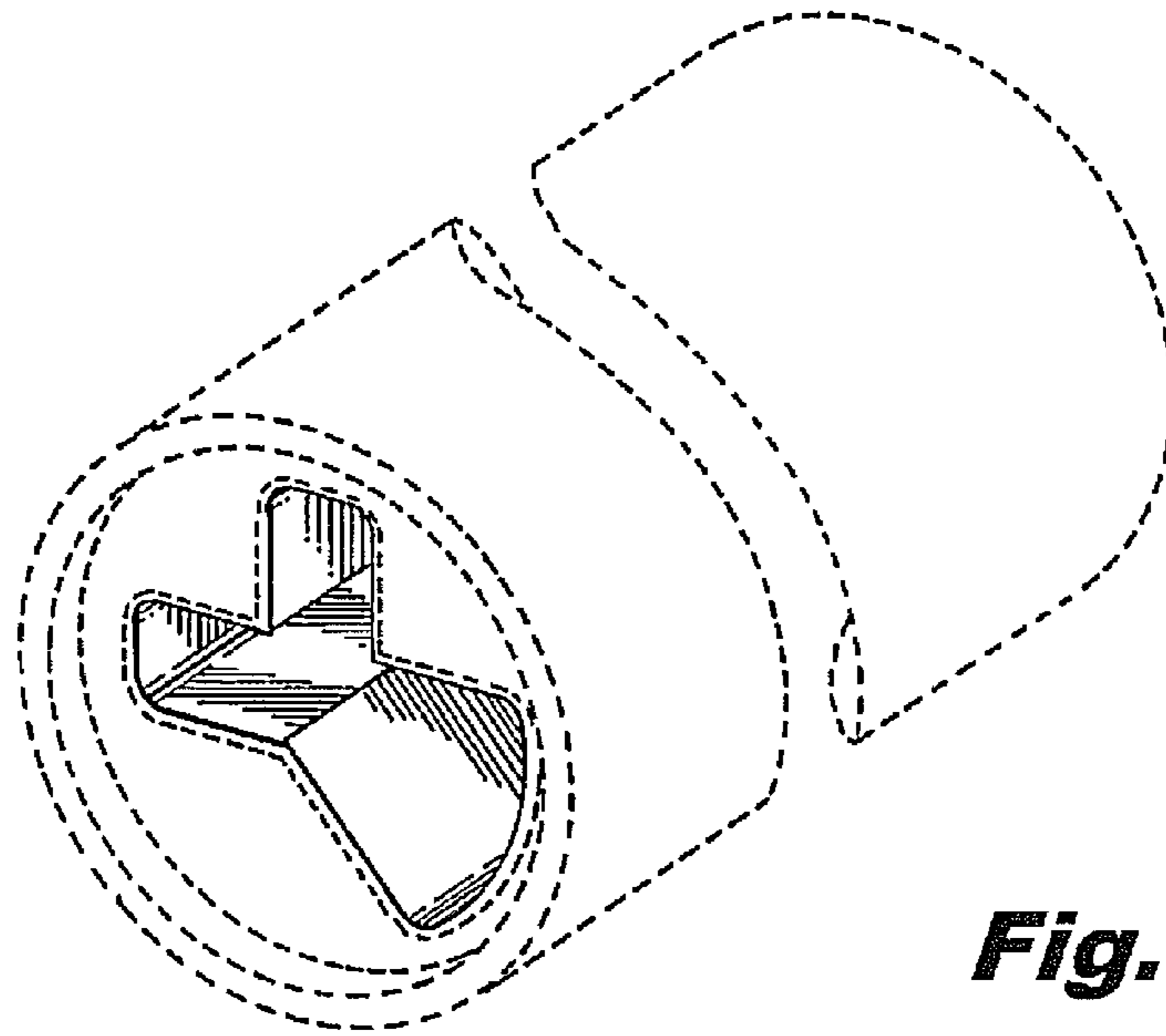


Fig. 1

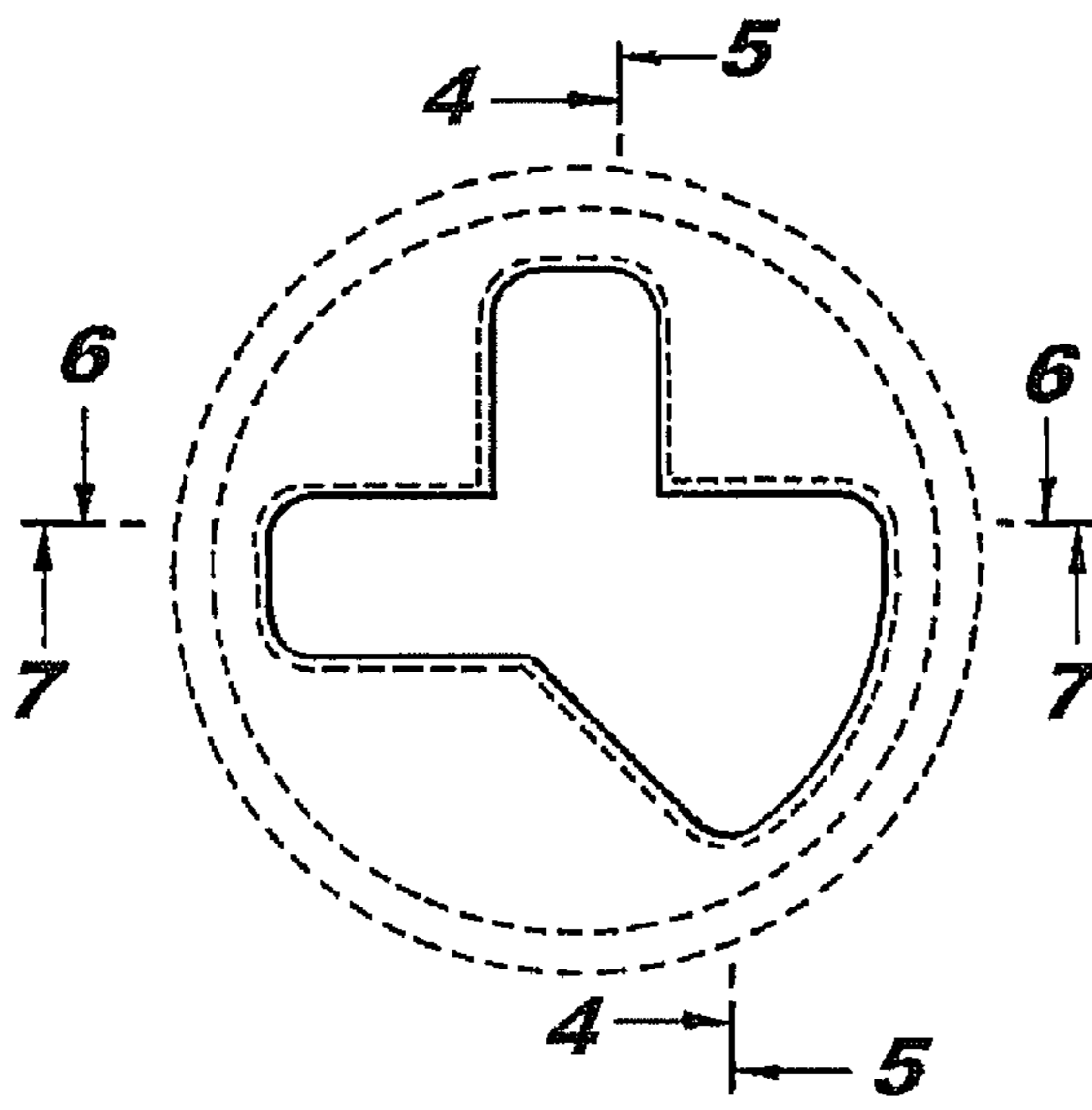


Fig. 2

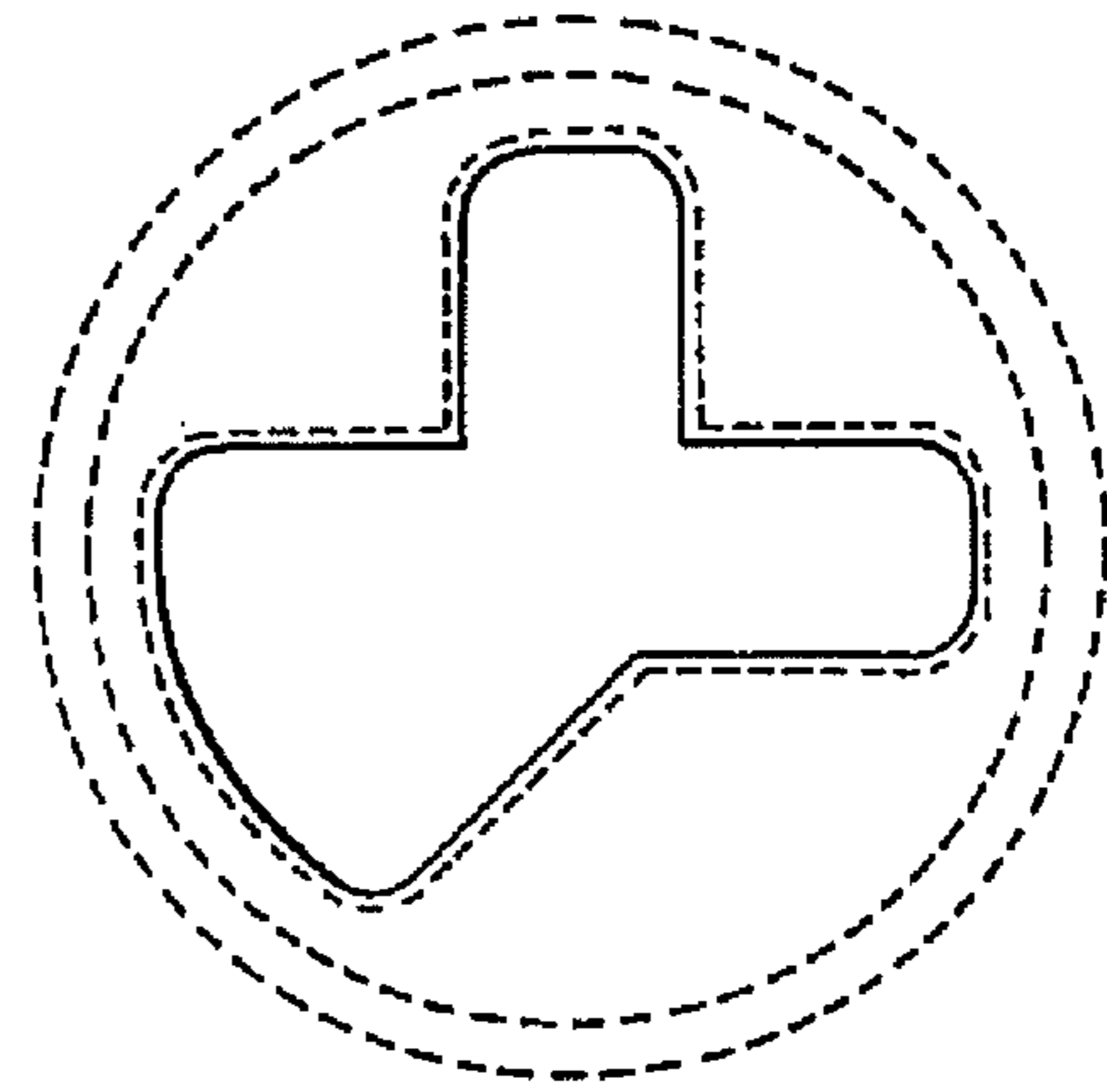


Fig. 3

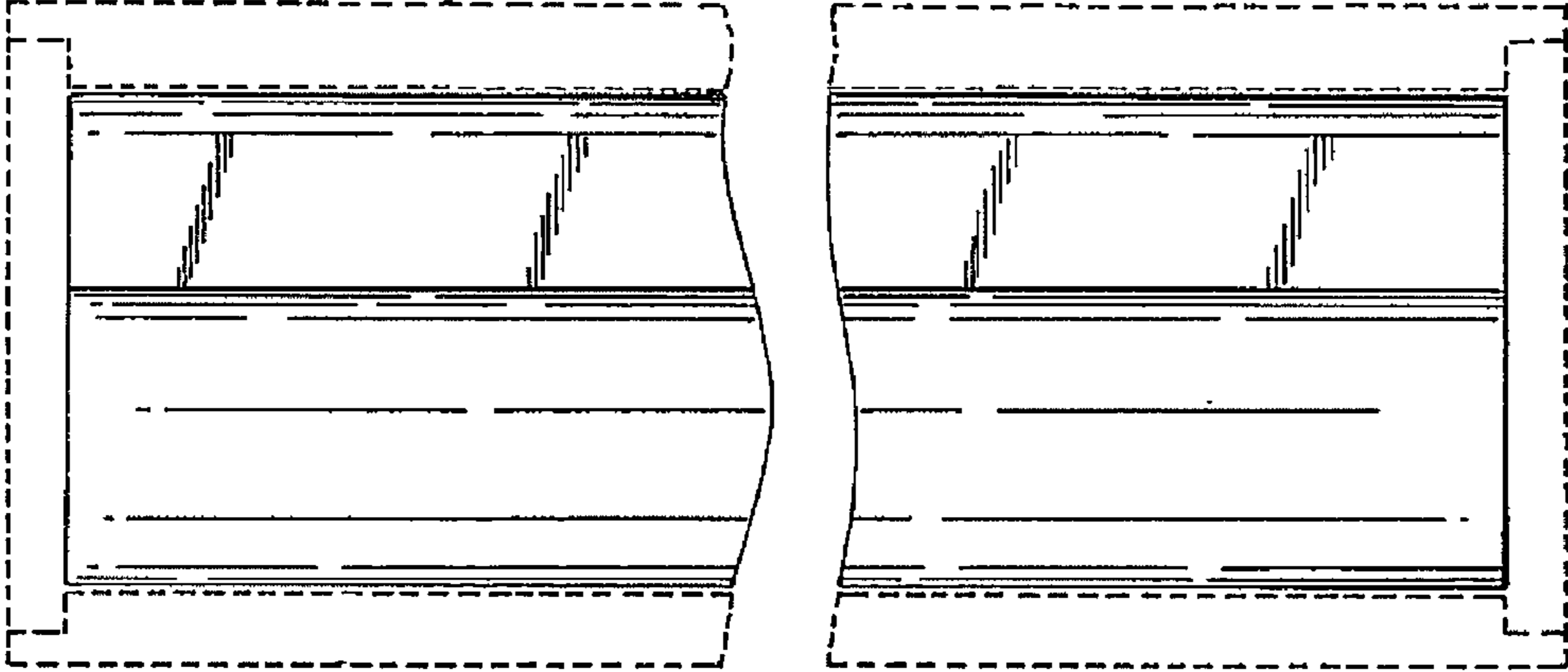


Fig. 4

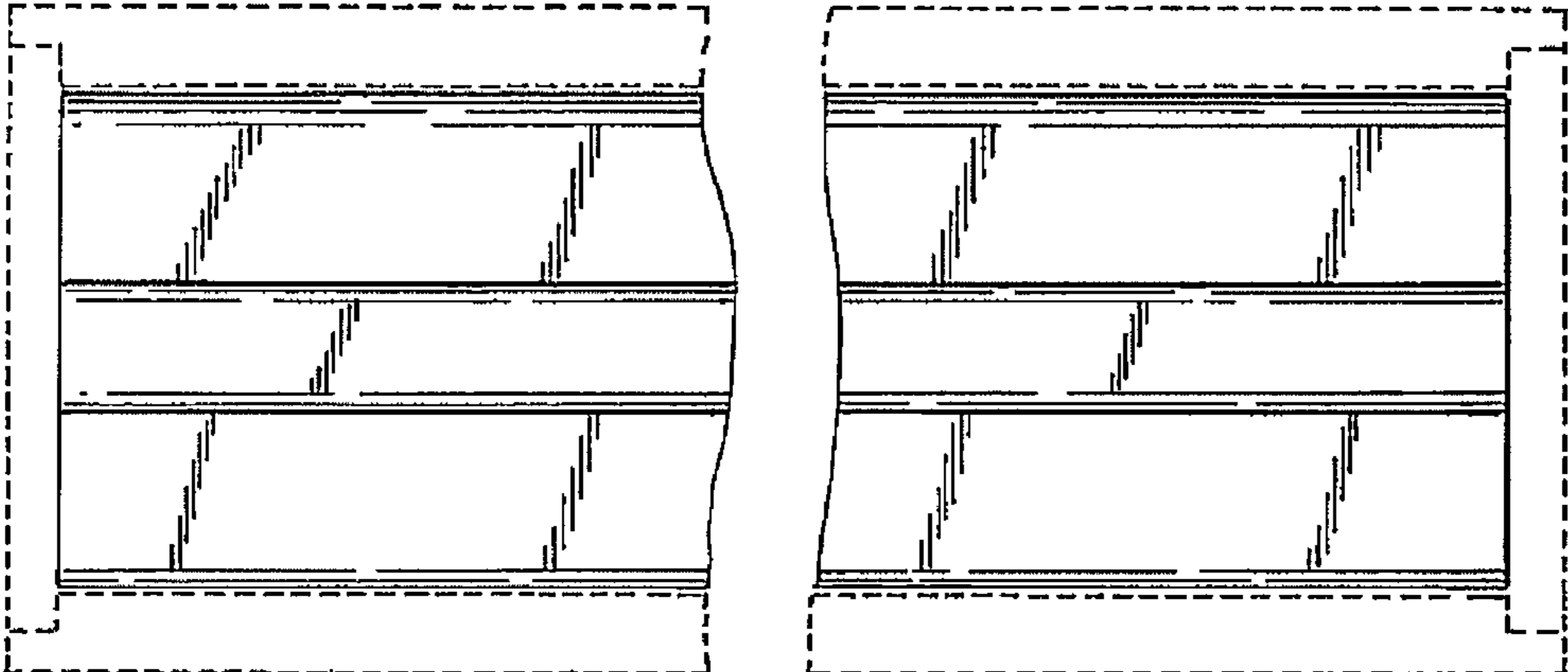


Fig. 5

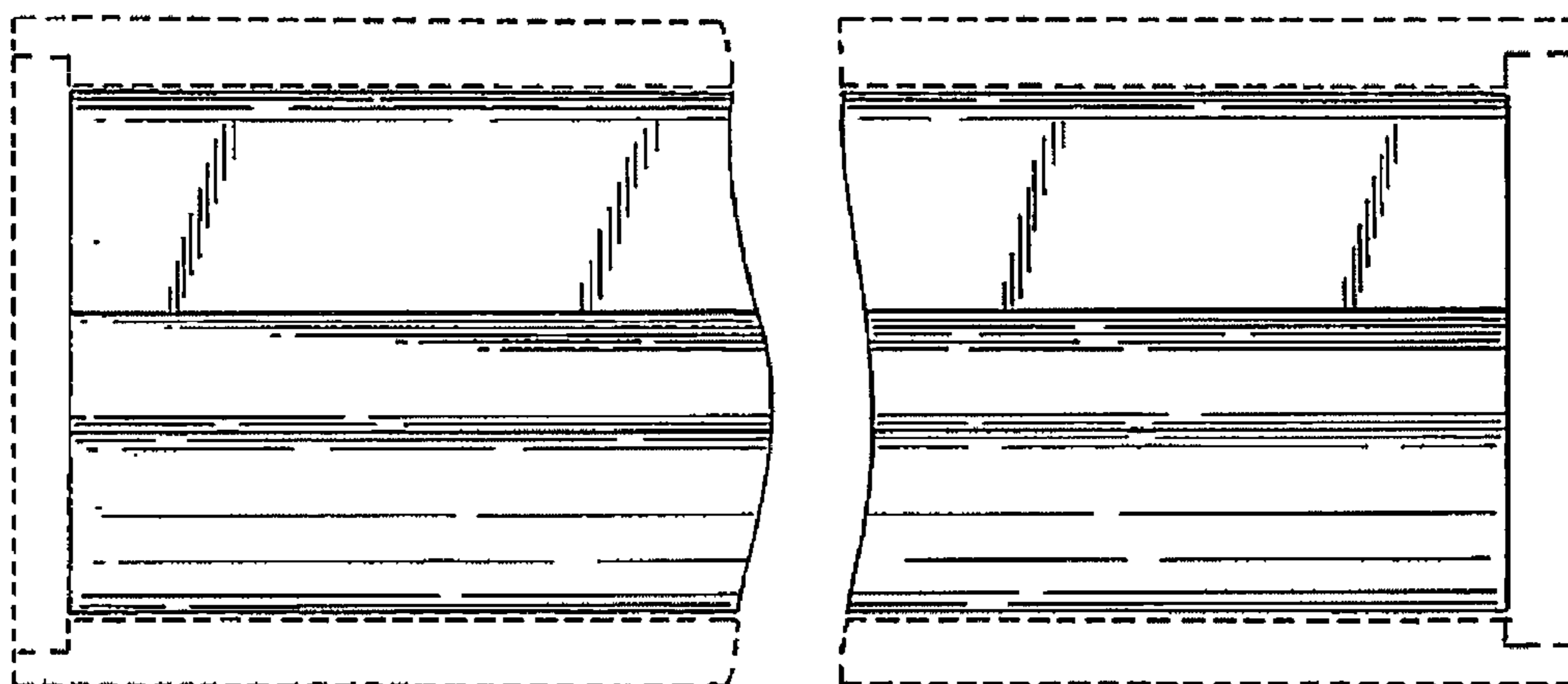


Fig. 6

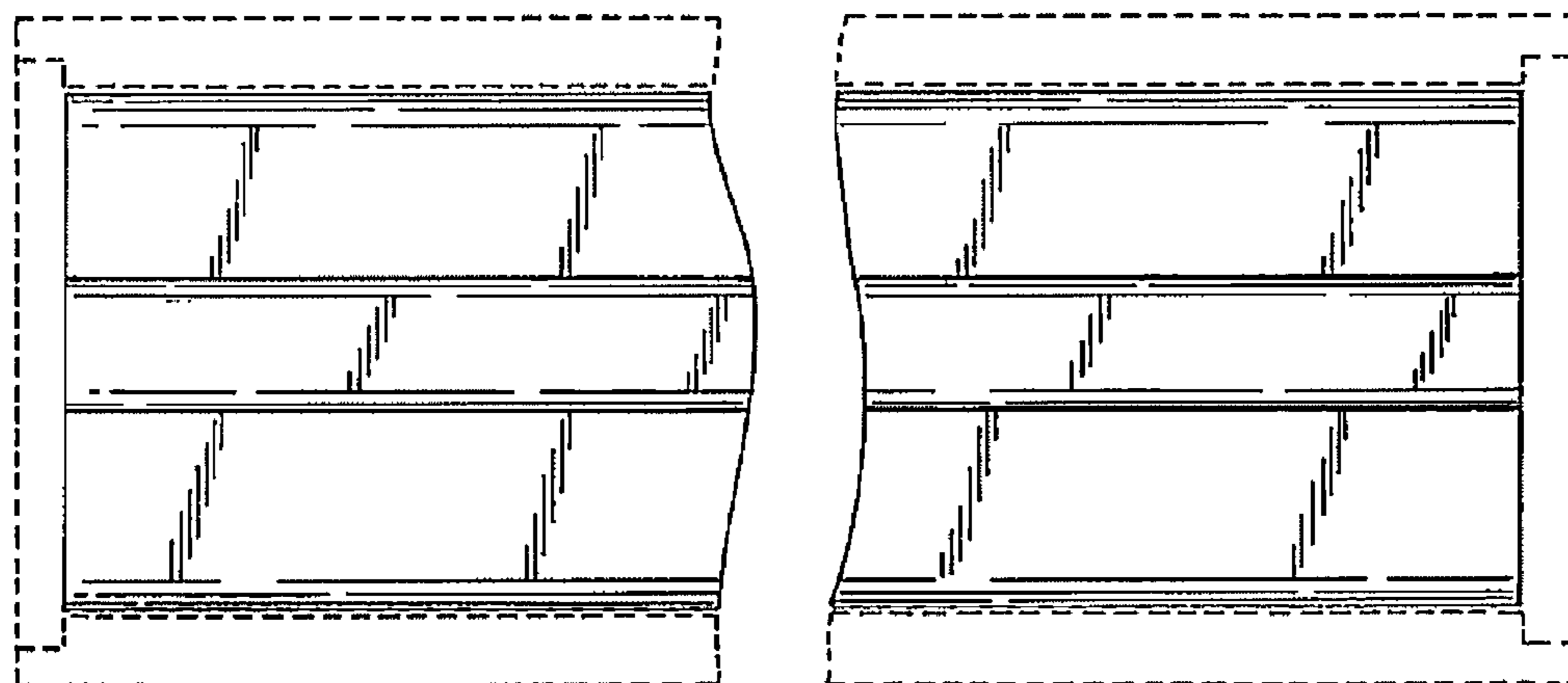


Fig. 7