



US00D678756S

(12) **United States Design Patent**  
**Tsai**

(10) **Patent No.:** **US D678,756 S**  
(45) **Date of Patent:** **\*\* Mar. 26, 2013**

- (54) **SCREW**
- (75) Inventor: **Howard Tsai**, Taipei (TW)
- (73) Assignee: **A-Stainless International Co., Ltd.**,  
Taipei (TW)
- (\*\*) Term: **14 Years**
- (21) Appl. No.: **29/382,262**
- (22) Filed: **Dec. 30, 2010**
- (51) **LOC (9) Cl.** ..... **08-08**
- (52) **U.S. Cl.** ..... **D8/387**
- (58) **Field of Classification Search** ..... D8/387,  
D8/388, 391; 411/378-379, 393-394, 411,  
411/402-405, 178, 184, 188, 412, 481, 387.1  
See application file for complete search history.

- 7,682,119 B2 \* 3/2010 Chen ..... 411/411
- D614,942 S \* 5/2010 Gaudron ..... D8/387
- 7,914,245 B2 \* 3/2011 Lin et al. .... 411/386
- D637,896 S \* 5/2011 Dotsey ..... D8/387

\* cited by examiner

*Primary Examiner* — Sheryl Lane

(74) *Attorney, Agent, or Firm* — Muncy, Geissler, Olds & Lowe, PLLC

(57) **CLAIM**

I claim the ornamental design for a screw, as shown and described.

**DESCRIPTION**

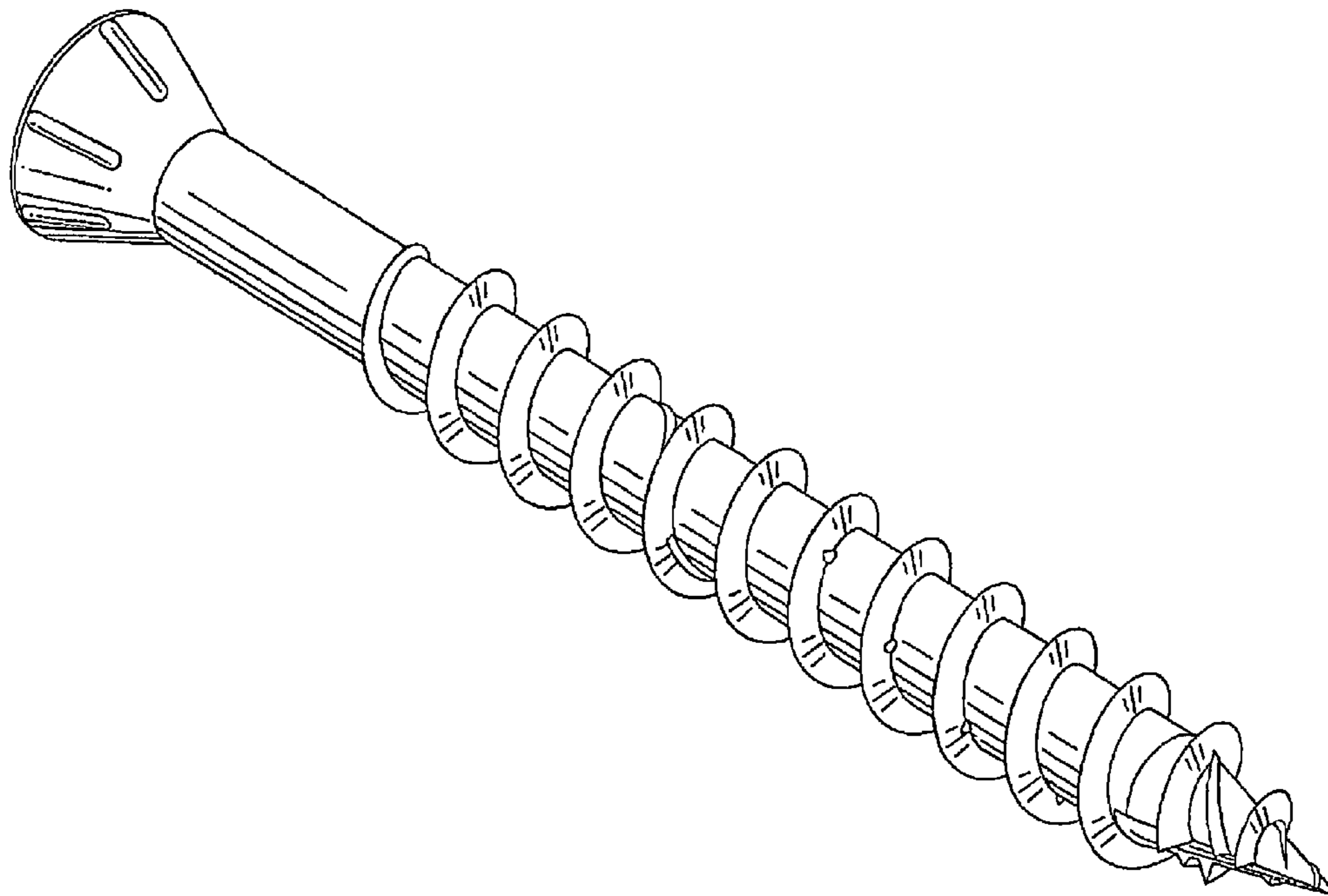
FIG. 1 is a perspective view of a screw showing my new design;  
 FIG. 2 is a front view thereof;  
 FIG. 3 is a rear view thereof;  
 FIG. 4 is a left view thereof;  
 FIG. 5 is a right view thereof;  
 FIG. 6 is a top plan view thereof; and,  
 FIG. 7 is a bottom plan view thereof.  
 The broken lines in FIG. 4 shows environment and forms no part of the claimed design.

**1 Claim, 4 Drawing Sheets**

(56) **References Cited**

**U.S. PATENT DOCUMENTS**

- 5,540,531 A \* 7/1996 Choiniere ..... 411/387.1
- D416,475 S \* 11/1999 DePrisco ..... D8/387
- 6,254,327 B1 \* 7/2001 Chen ..... 411/411
- D557,130 S \* 12/2007 Kashikura et al. .... D8/387
- D557,131 S \* 12/2007 Liu ..... D8/387
- D567,644 S \* 4/2008 Liu ..... D8/387
- D581,776 S \* 12/2008 Yin-Feng ..... D8/387



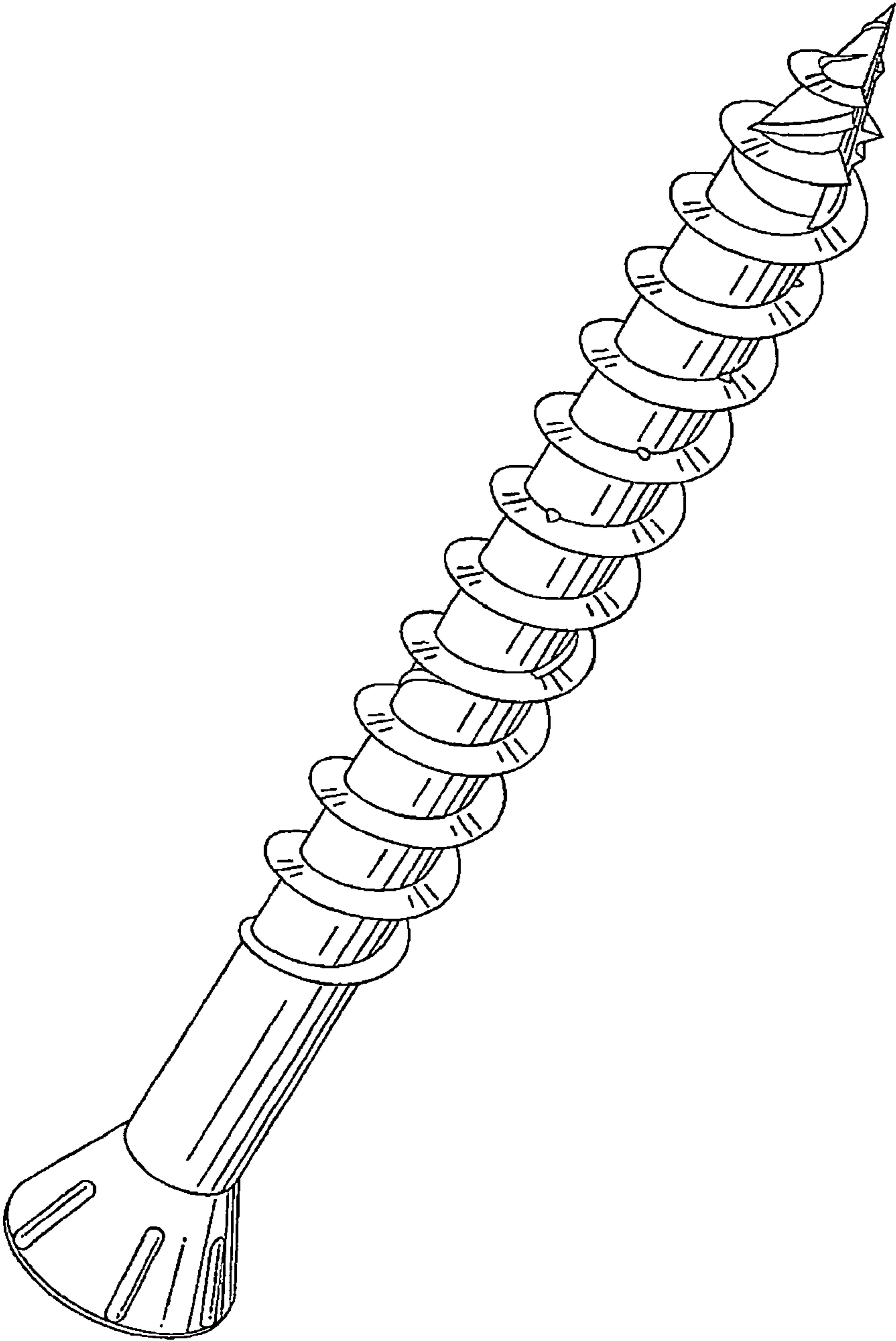


FIG. 1

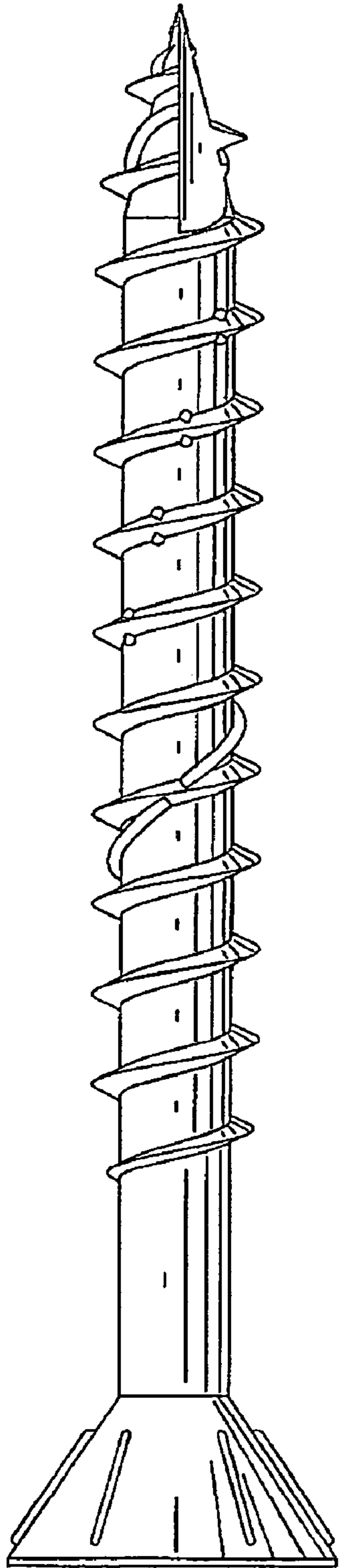


FIG. 2

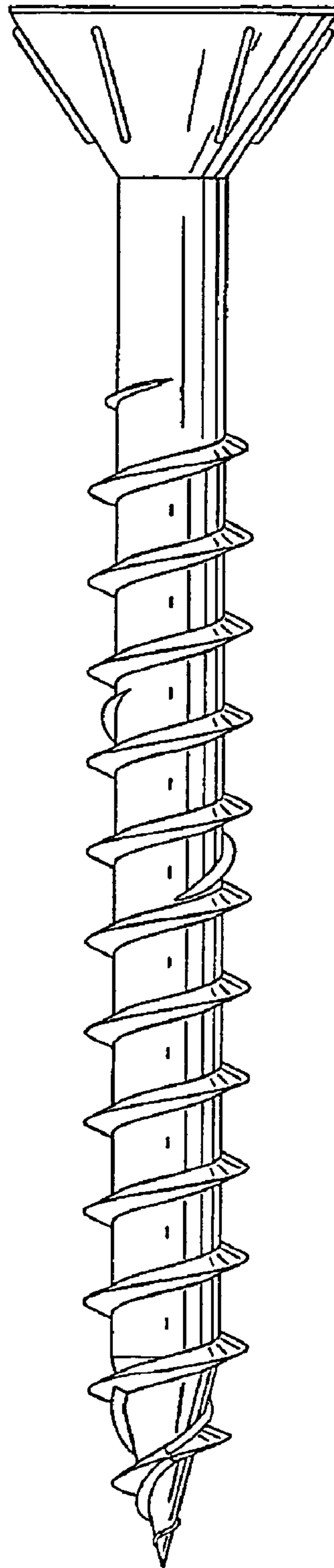


FIG. 3

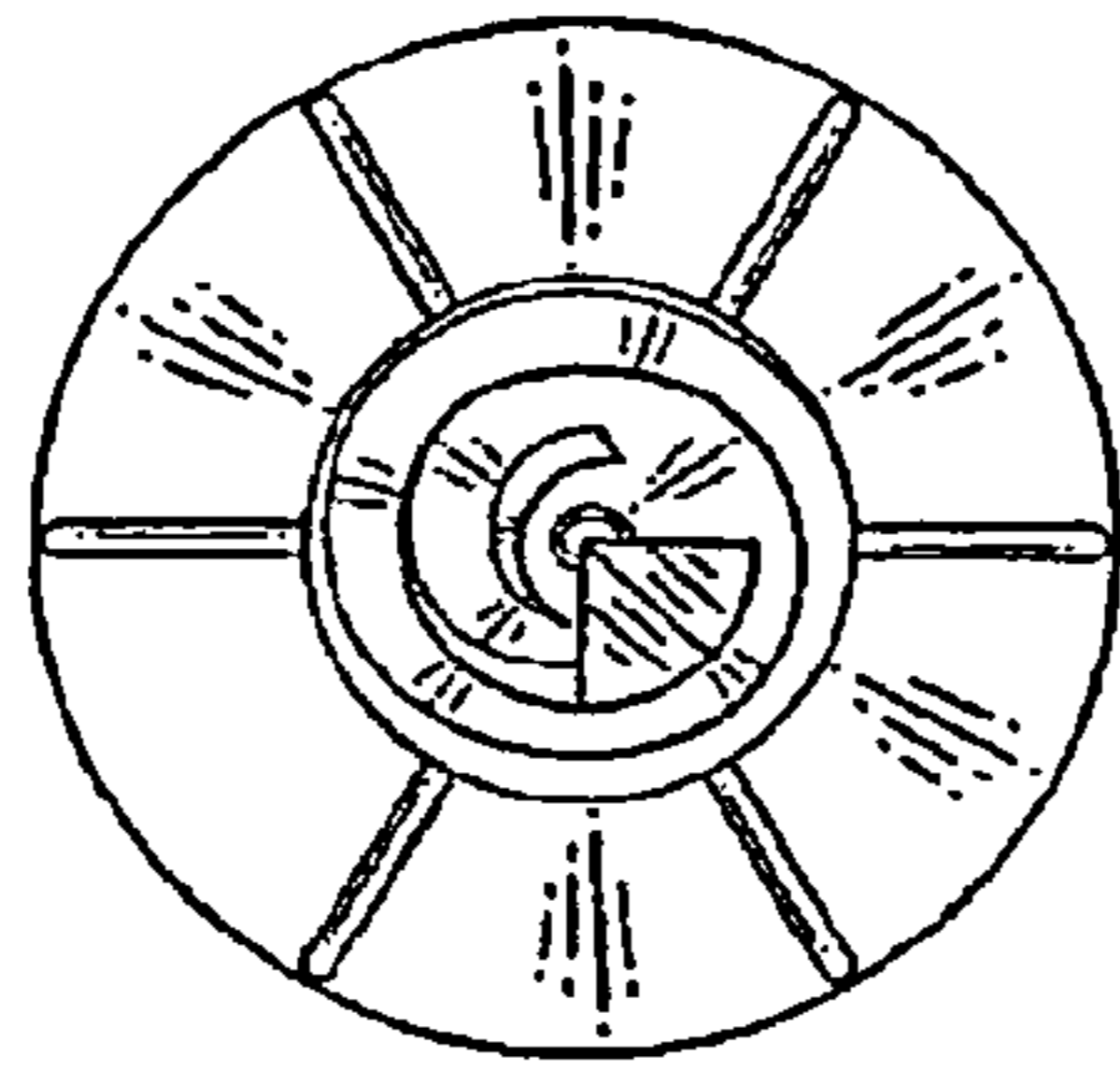


FIG. 5

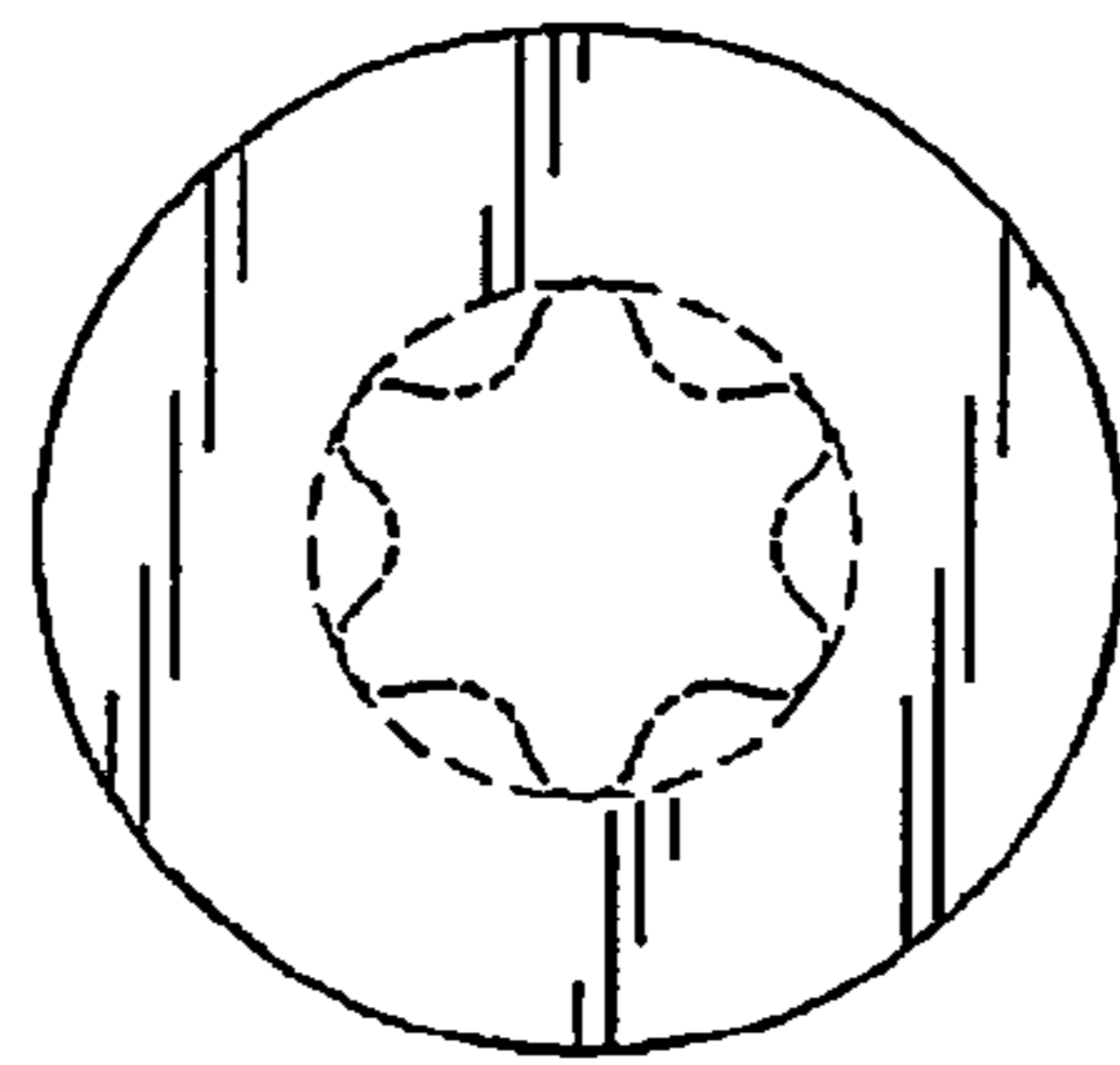


FIG. 4

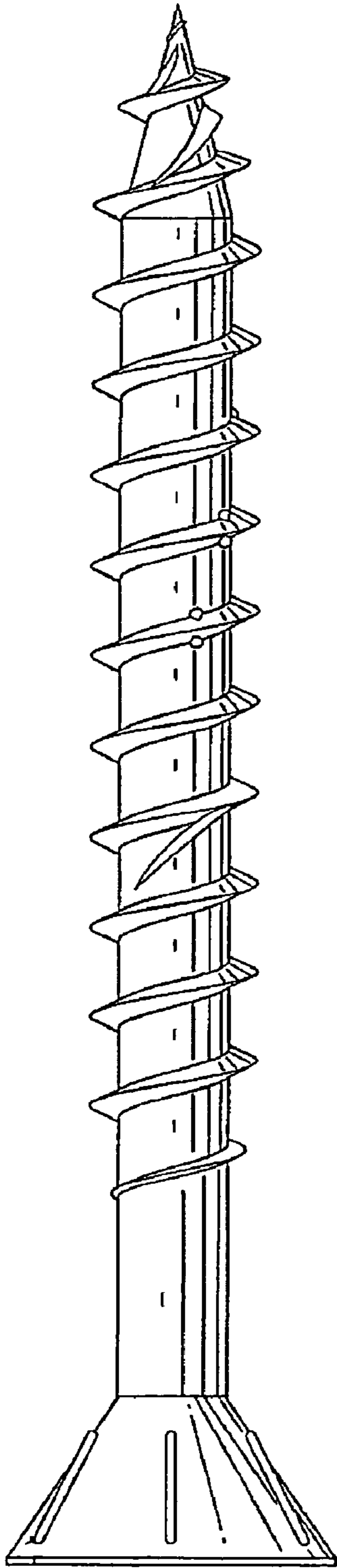


FIG. 6

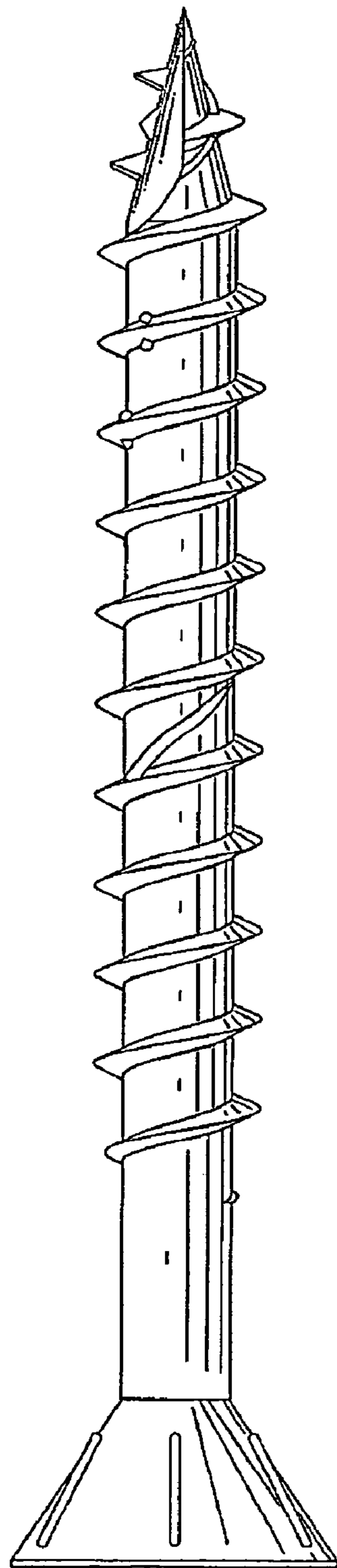


FIG. 7