



US00D678755S

(12) **United States Design Patent**  
**Weidemann et al.**

(10) **Patent No.:** **US D678,755 S**  
(45) **Date of Patent:** **\*\* Mar. 26, 2013**

(54) **CORNER ELEMENT FOR CONFIGURABLE STRUCTURES**

(75) Inventors: **Joel I. Weidemann**, Lucan, MN (US);  
**Peter M. Kidrowksi**, Wabasso, MN (US); **Nick Schwarz**, Marshall, MN (US); **Dilip Chande**, Wabasso, MN (US)

(73) Assignee: **Jonti-Craft, Inc.**, Wabasso, MN (US)

(\*\*) Term: **14 Years**

(21) Appl. No.: **29/384,093**

(22) Filed: **Jan. 26, 2011**

(51) **LOC (9) Cl.** ..... **08-08**

(52) **U.S. Cl.** ..... **D8/382**

(58) **Field of Classification Search** ..... D8/382,  
D8/349; D25/61, 78, 131, 13, 35; D21/486,  
D21/502; 52/86, 200, 262, 267; 403/17,  
403/172, 176, 170, 251

See application file for complete search history.

(56) **References Cited**

U.S. PATENT DOCUMENTS

2,839,320	A *	6/1958	Hill	.....	403/172
3,895,670	A	7/1975	Bales et al.		
4,211,044	A *	7/1980	Gugliotta et al.	.....	52/200
D260,790	S *	9/1981	Gabriel	.....	D21/486
4,645,183	A	2/1987	Rattray et al.		
4,679,961	A *	7/1987	Stewart	.....	403/341

D297,668	S *	9/1988	Smith	.....	D25/61
D334,953	S *	4/1993	Kawahara et al.	.....	D21/487
D359,996	S *	7/1995	Barzani	.....	D21/498
5,544,870	A	8/1996	Kelley et al.		
5,881,789	A	3/1999	Melashenko et al.		
6,098,217	A	8/2000	Hammil		
6,672,789	B2 *	1/2004	Chen	.....	403/171
7,516,575	B2 *	4/2009	Cuccurullo	.....	52/20

\* cited by examiner

*Primary Examiner* — Sheryl Lane

(74) *Attorney, Agent, or Firm* — Larkin Hoffman Daly & Lindgren Ltd.; Craig. J. Lervick

(57) **CLAIM**

The ornamental design for a corner element for configurable structures, as shown and described.

**DESCRIPTION**

FIG. 1 is a perspective view of a corner element showing the current design;

FIG. 2 is a side view thereof;

FIG. 3 is a top view thereof;

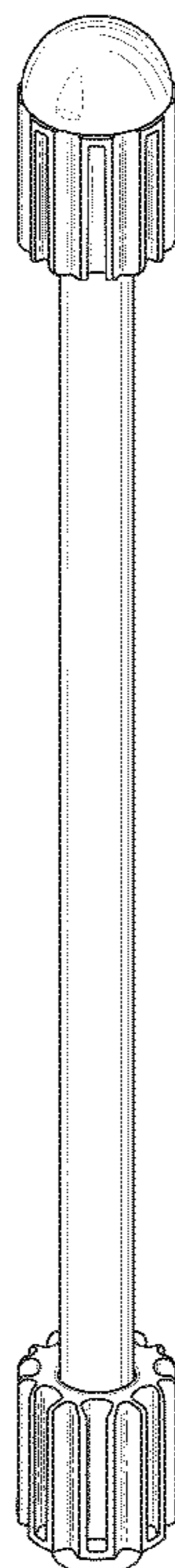
FIG. 4 is a bottom view thereof;

FIG. 5 is a close-up view of a portion of the corner element shown in FIG. 1; and,

FIG. 6 illustrates the corner element of FIG. 1 with a pair of appropriately sized example wall members shown in dashed lines to illustrate context.

Any dashed lines shown in the drawing figures listed above are provided to show context and environmental structures only, and form no part of the claimed design.

**1 Claim, 5 Drawing Sheets**



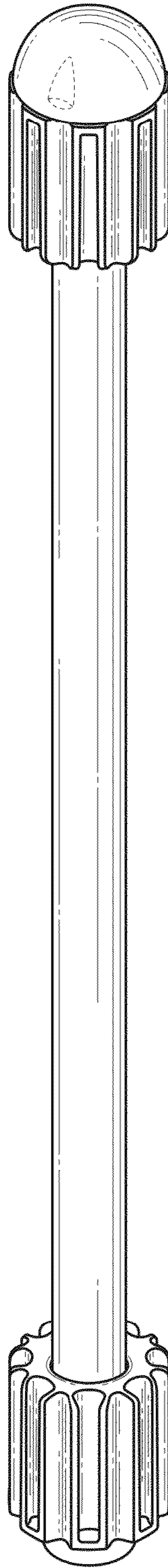
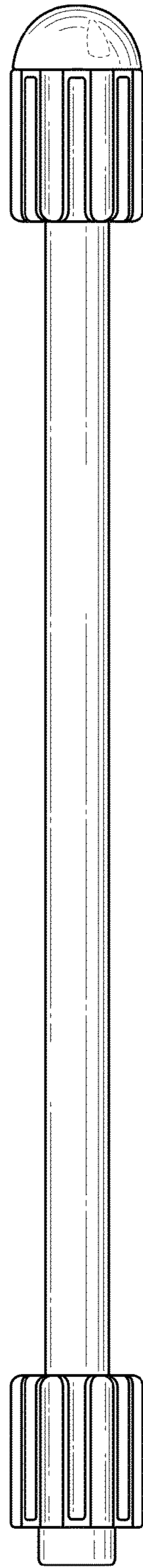
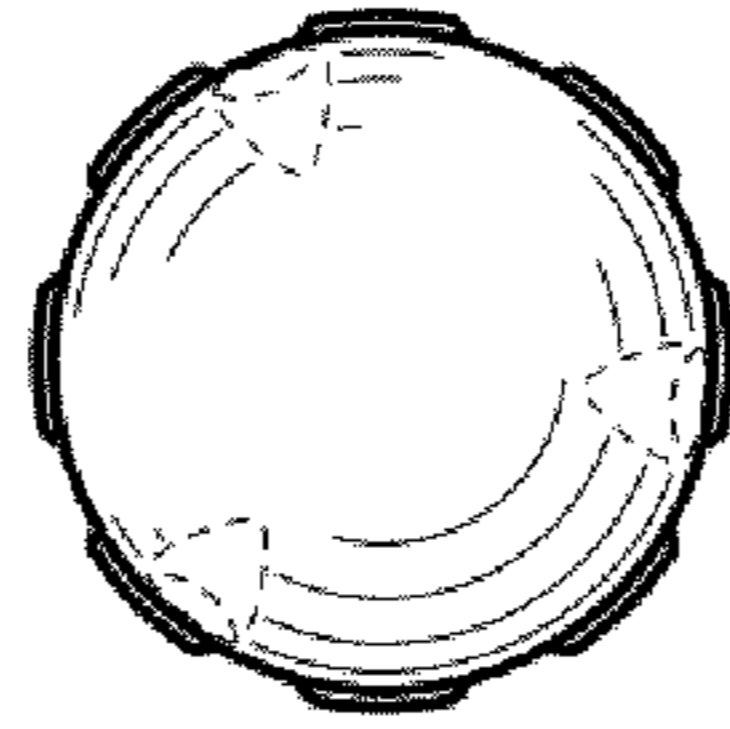


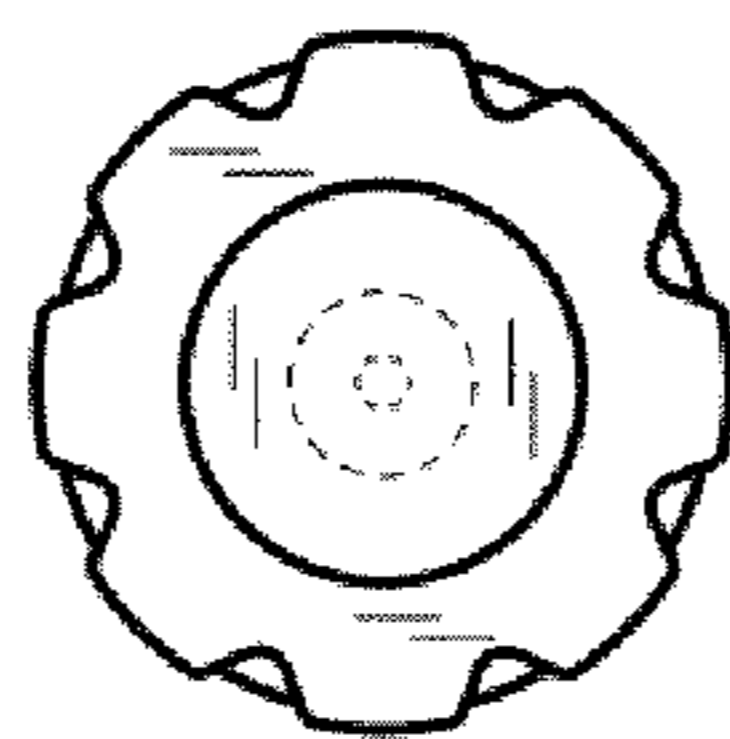
Fig. 1



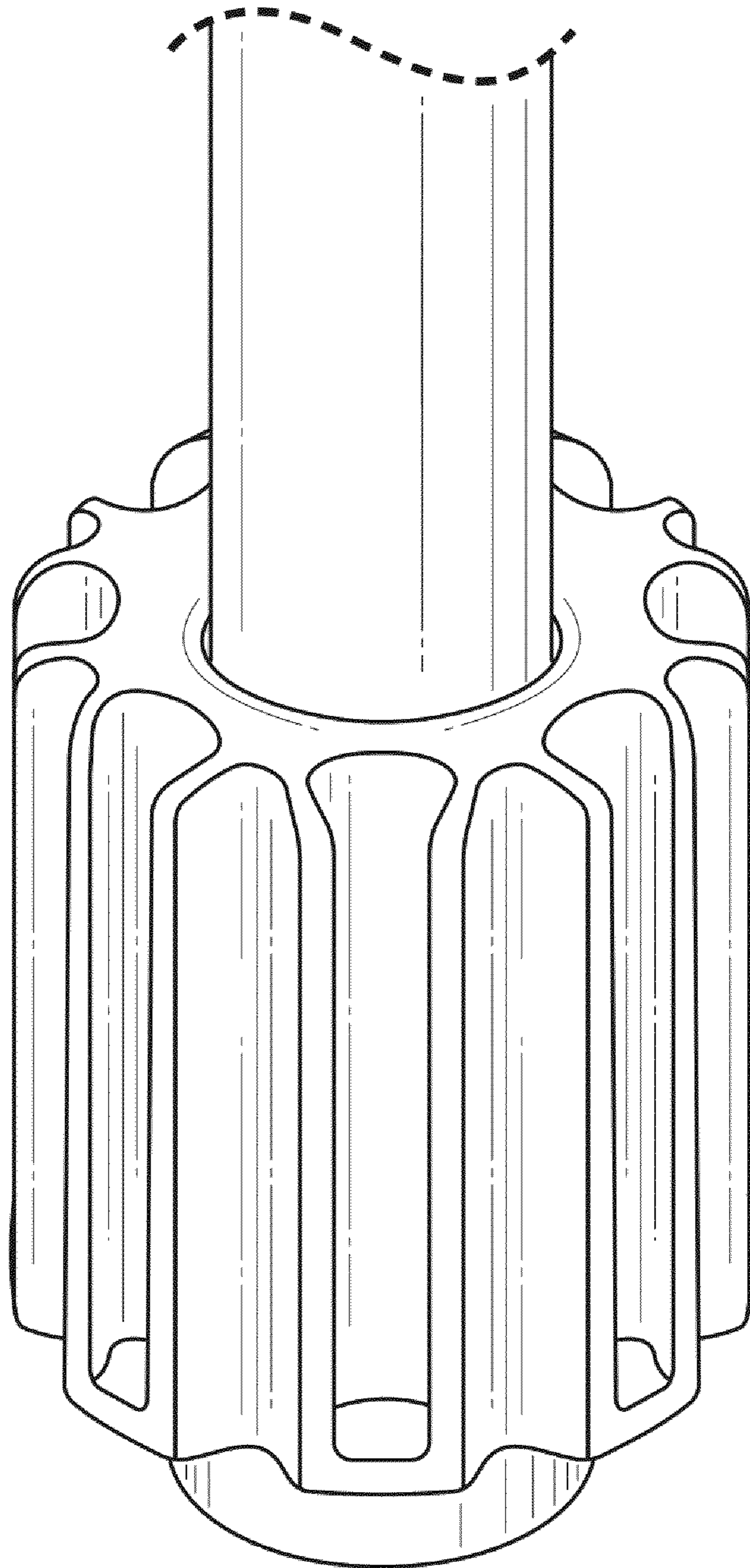
**Fig. 2**



**Fig. 3**



**Fig. 4**



**Fig. 5**

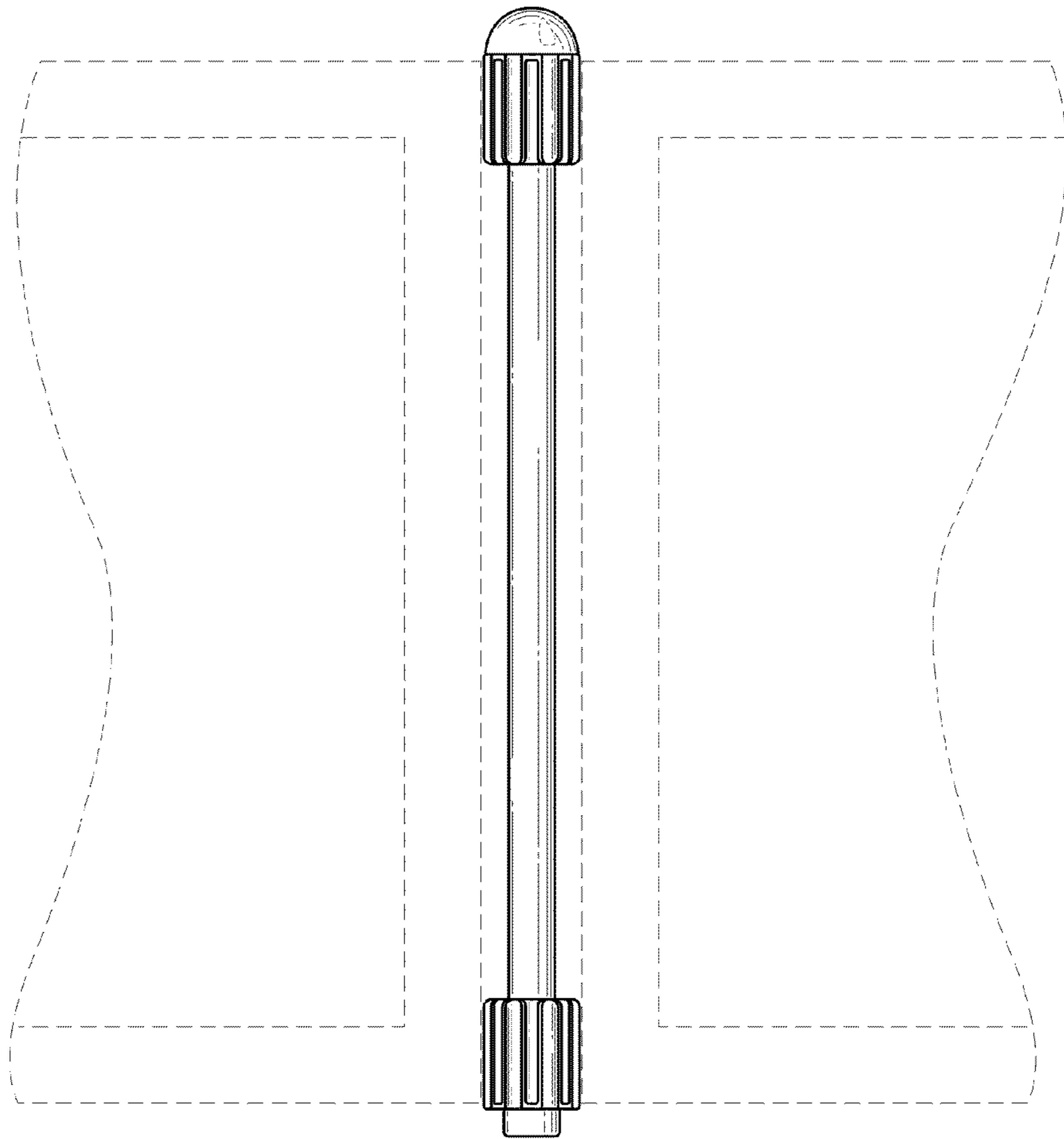


Fig. 6

UNITED STATES PATENT AND TRADEMARK OFFICE  
**CERTIFICATE OF CORRECTION**

PATENT NO. : D678,755 S  
APPLICATION NO. : 29/384093  
DATED : March 26, 2013  
INVENTOR(S) : Joel I. Weidemann et al.

Page 1 of 1

It is certified that error appears in the above-identified patent and that said Letters Patent is hereby corrected as shown below:

On the title page, item 75 Inventor: Peter M. Kidrowksi should be changed to -- Peter M. Kidrowski --

Signed and Sealed this  
Eleventh Day of June, 2013



Teresa Stanek Rea  
*Acting Director of the United States Patent and Trademark Office*