



US00D678754S

(12) **United States Design Patent**
Burr

(10) **Patent No.:** **US D678,754 S**

(45) **Date of Patent:** **** Mar. 26, 2013**

(54) **CURTAIN ROD BRACKET**

(76) Inventor: **Thomas M. Burr**, Cumberland, RI (US)

(**) Term: **14 Years**

(21) Appl. No.: **29/395,913**

(22) Filed: **Apr. 21, 2012**

(51) **LOC (9) Cl.** **08-05**

(52) **U.S. Cl.** **D8/366; D6/575**

(58) **Field of Classification Search** D8/349,
D8/354, 363, 366, 371, 373, 380, 381, 382,
D8/394, 395; D6/546-550, 575-581; 248/200,
248/235, 239, 345, 250, 251, 261, 262, 542
See application file for complete search history.

(56) **References Cited**

U.S. PATENT DOCUMENTS

D55,157 S *	5/1920	Dubish	D8/363
D101,104 S *	9/1936	Bushey et al.	D8/366
D242,986 S *	1/1977	Inglis	D8/363
D251,180 S *	2/1979	Mader et al.	D8/371
D253,162 S *	10/1979	Sheehan	D8/366
D290,931 S *	7/1987	Powell	D8/373
D376,755 S *	12/1996	Cox	D8/380
D389,035 S *	1/1998	Smiley et al.	D8/363
D455,334 S *	4/2002	Ivankovic	D8/366
D478,804 S *	8/2003	Titus	D8/363
D611,328 S *	3/2010	Hanley et al.	D8/363

* cited by examiner

Primary Examiner — Robert M Spear
Assistant Examiner — Rashida C McCoy

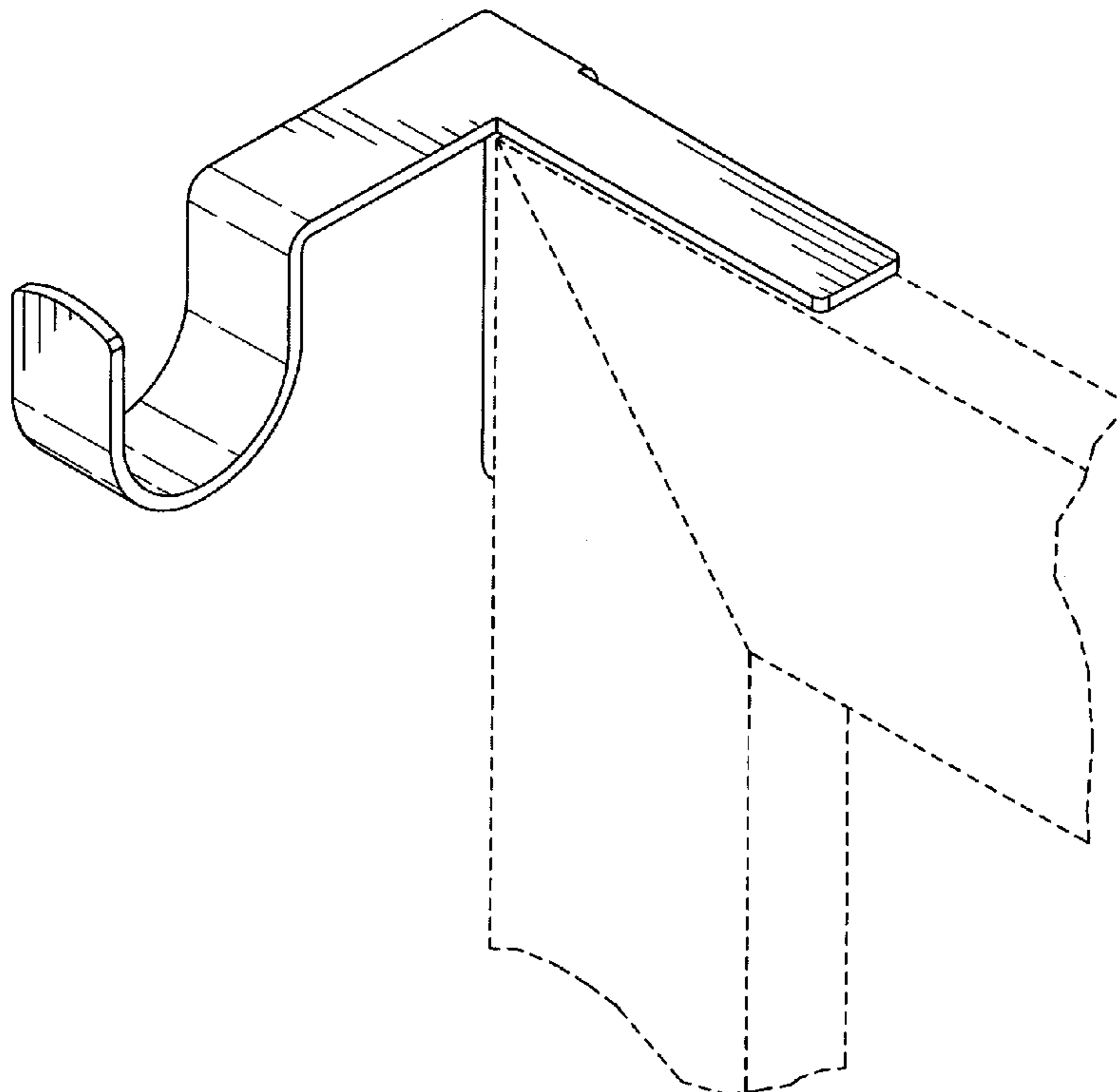
(57) **CLAIM**

The ornamental design for a curtain rod bracket, as shown and described.

DESCRIPTION

FIG. 1 is a front perspective view of the curtain rod bracket employing our new design, as installed on a left side molding ;
FIG. 2 is a perspective view of the curtain rod bracket of FIG. 1;
FIG. 3 is a bottom perspective view of the curtain rod bracket of FIG. 2;
FIG. 4 is a right side view of the curtain rod bracket of FIG. 2;
FIG. 5 is a left side view of the curtain rod bracket of FIG. 2;
FIG. 6 is a top view of the curtain rod bracket of FIG. 2;
FIG. 7 is a bottom view of the curtain rod bracket of FIG. 2;
FIG. 8 is a front end view of the curtain rod bracket of FIG. 2;
FIG. 9 is a rear end view of the curtain rod bracket of FIG. 2;
and,
FIG. 10 is an alternative embodiment of FIG. 2 for right side installation on a molding.
The broken line showing an example of the molding the curtain rod bracket is attached to is for illustrative purposes only and forms no part of the claimed design.

1 Claim, 10 Drawing Sheets



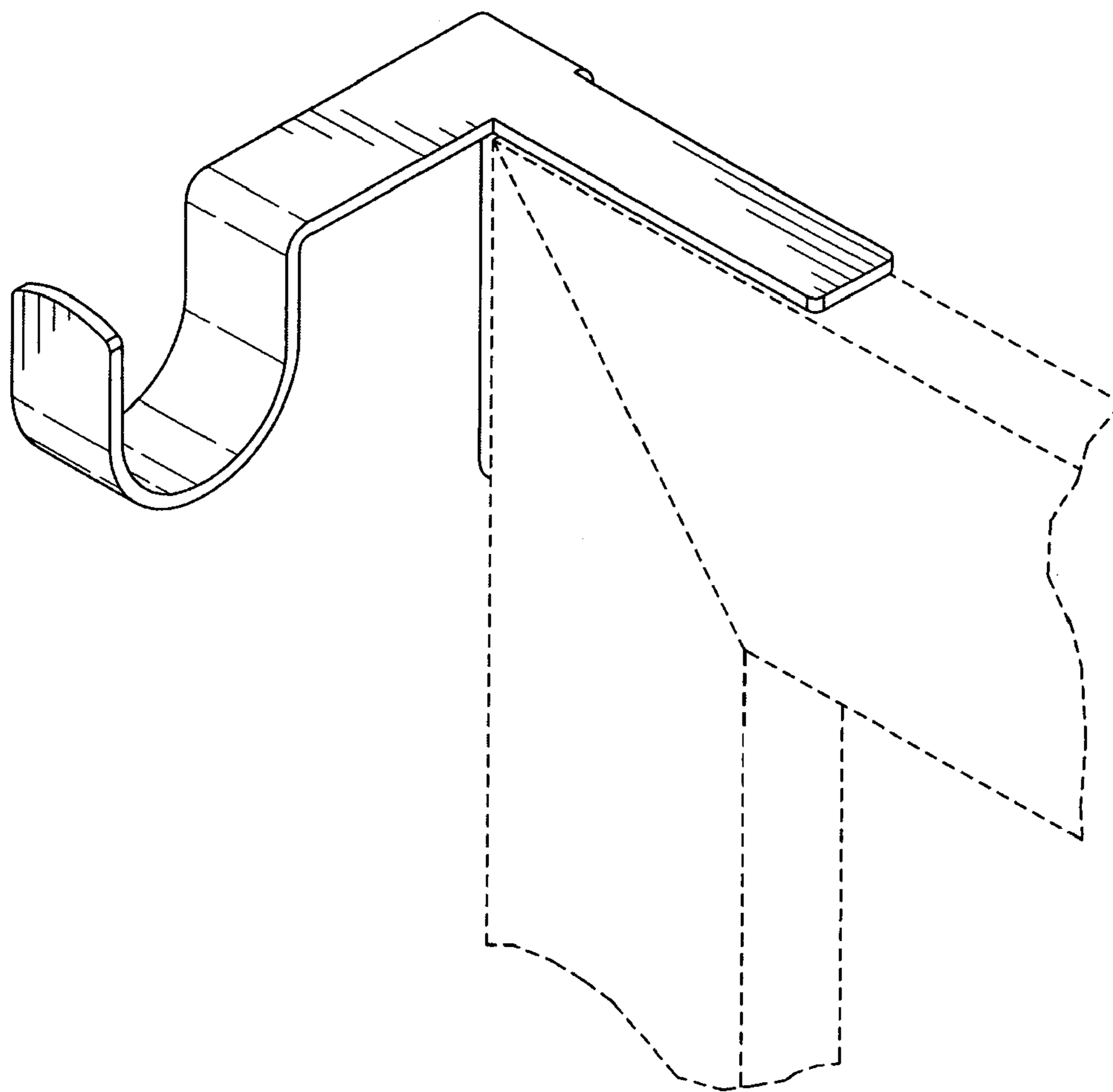


FIG. 1

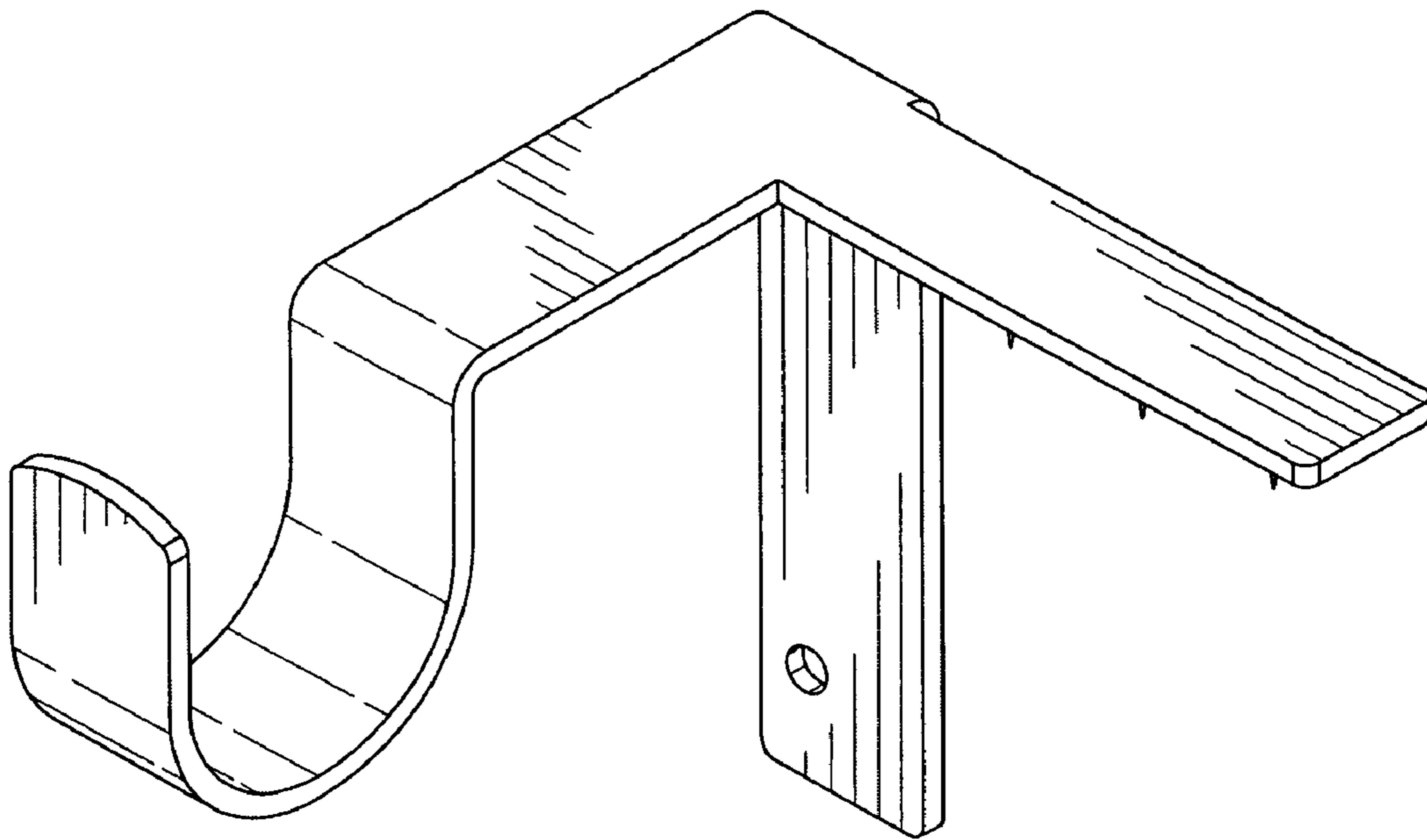


FIG. 2

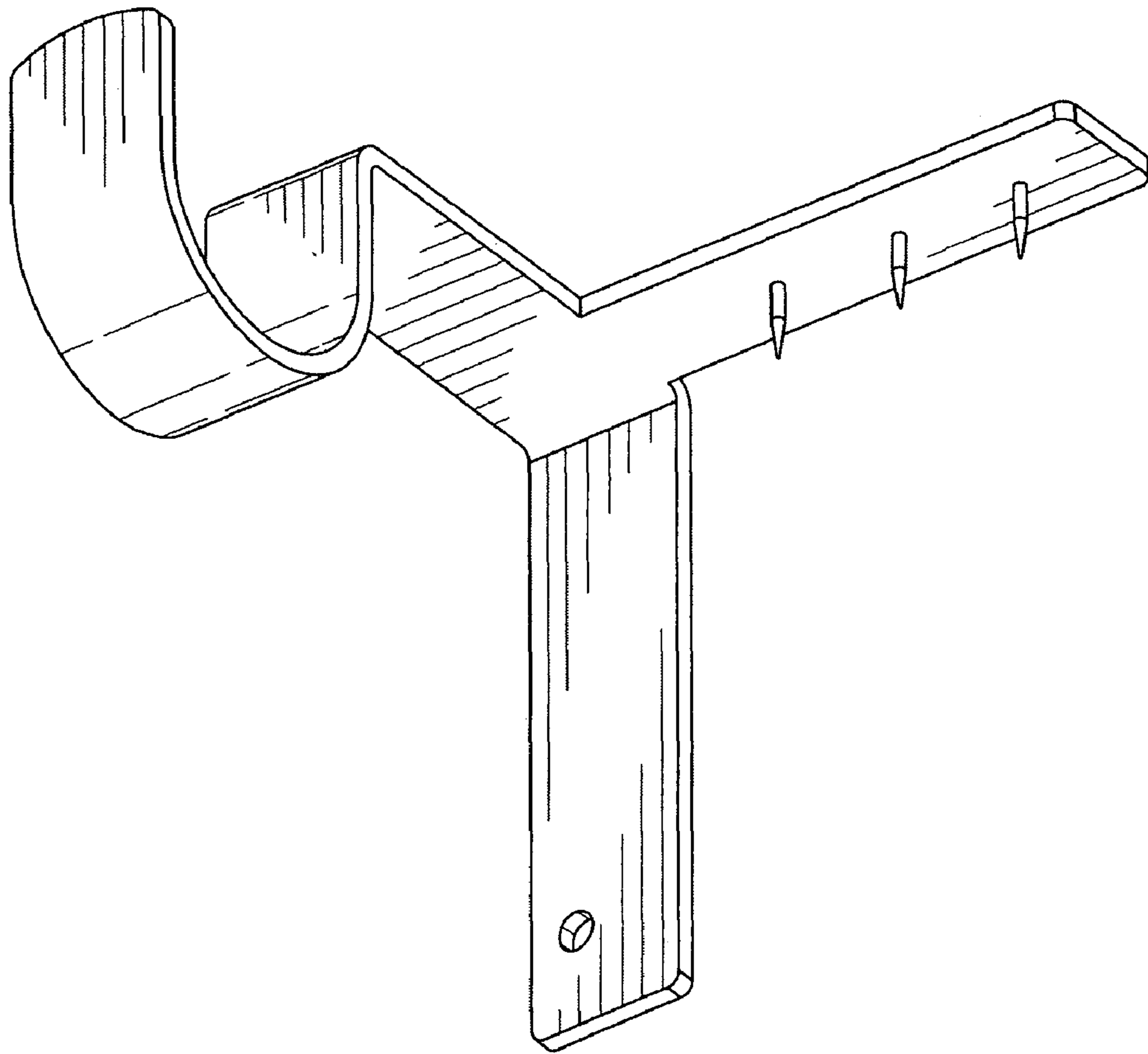


FIG. 3

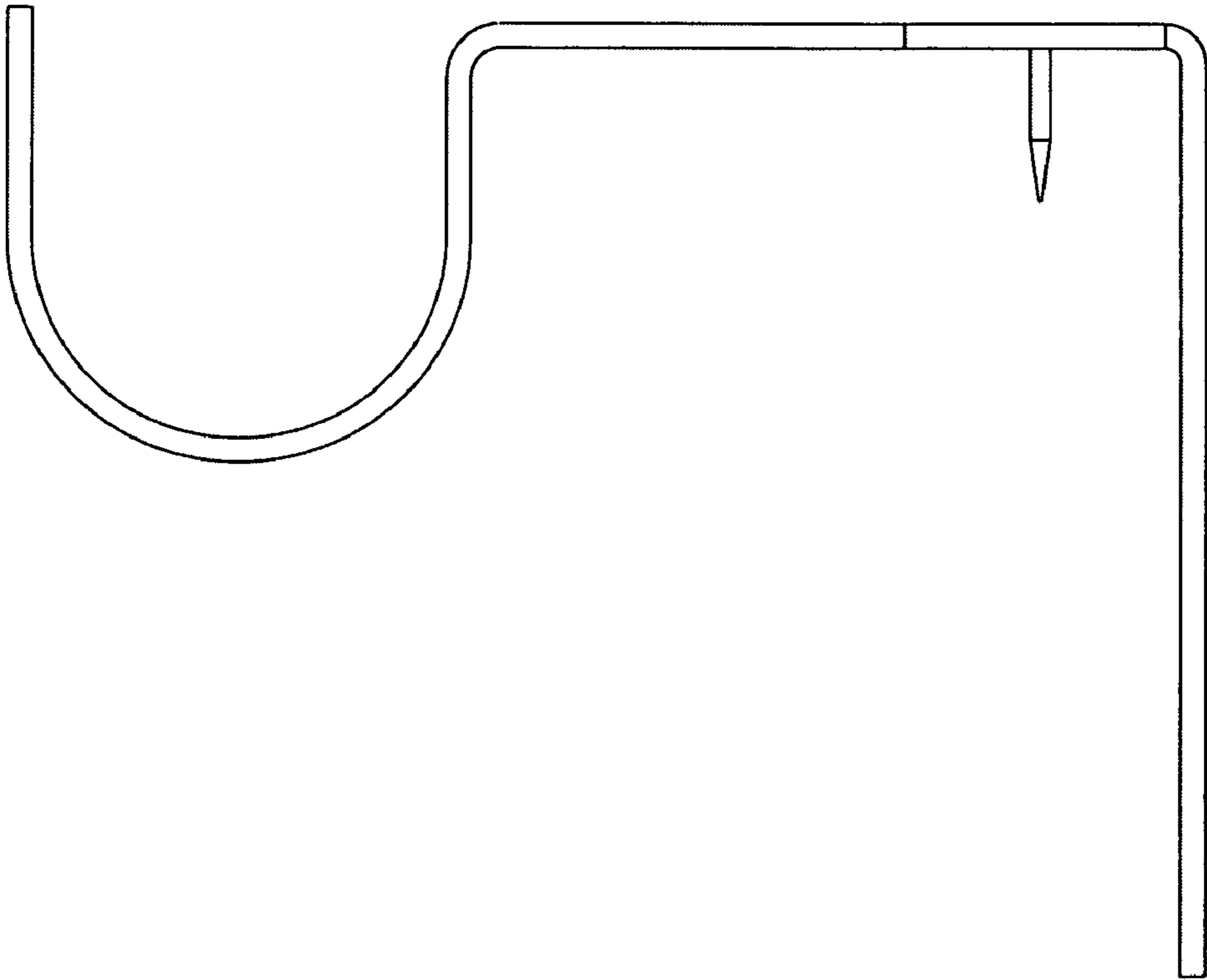


FIG. 4

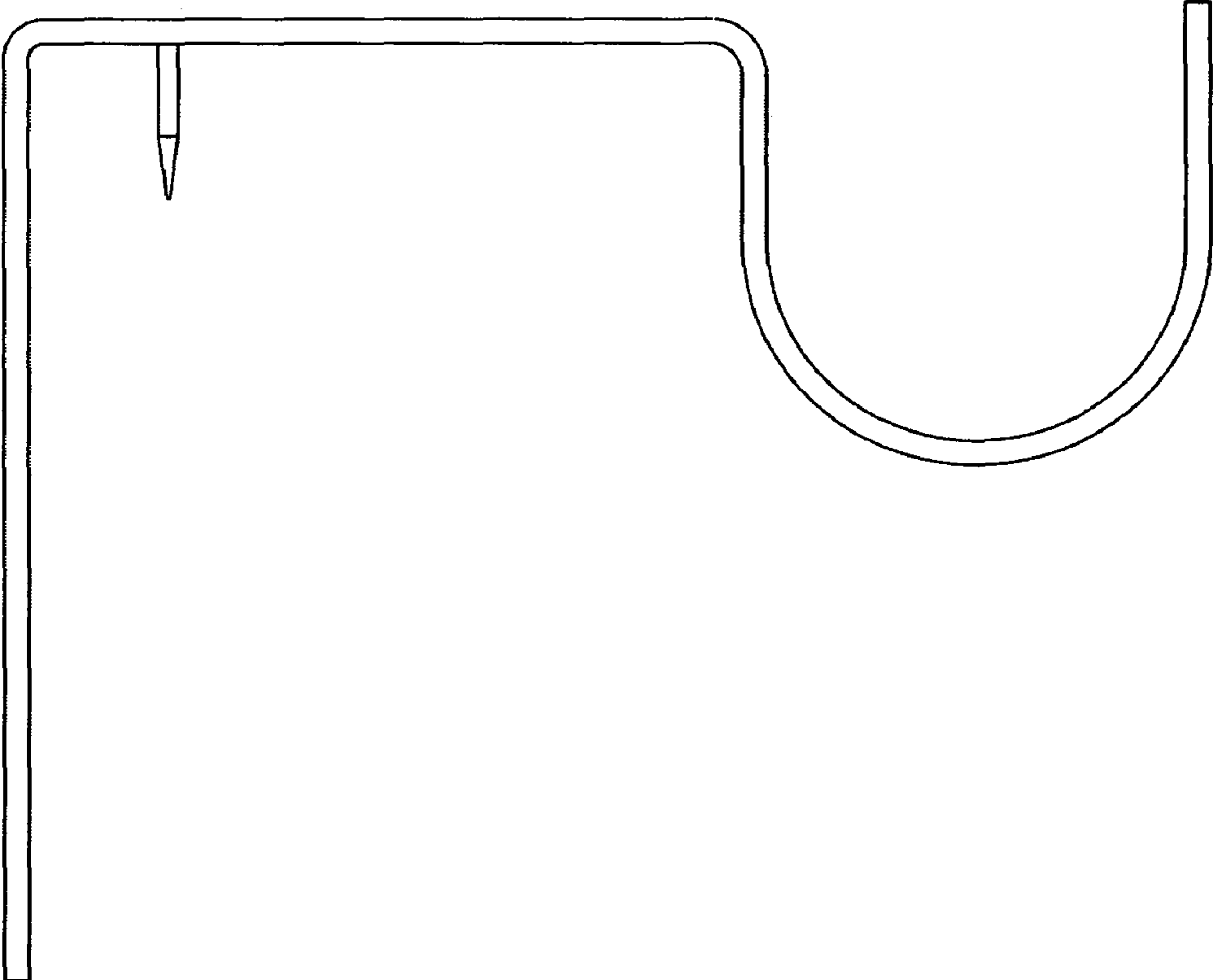


FIG. 5

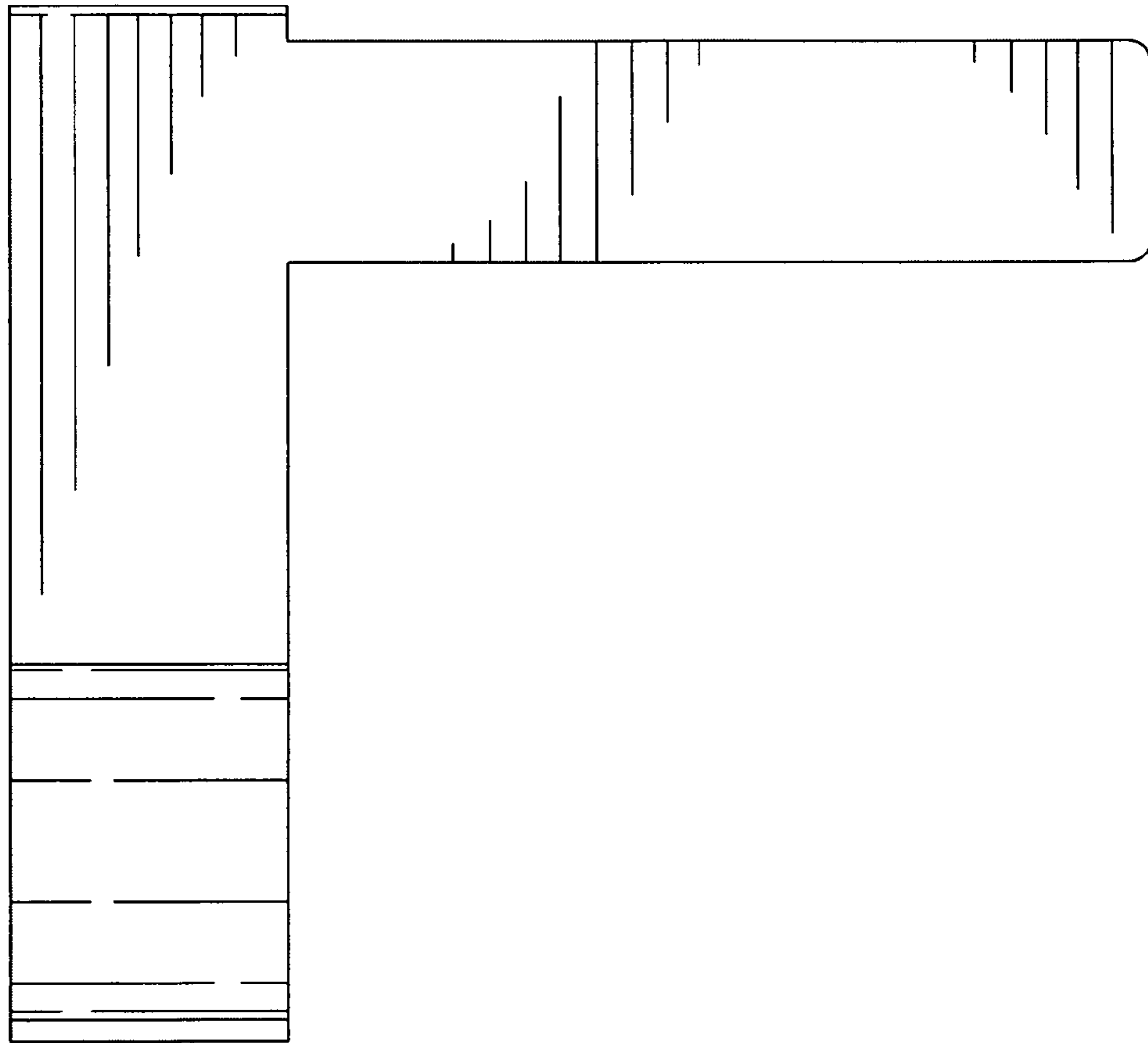


FIG. 6

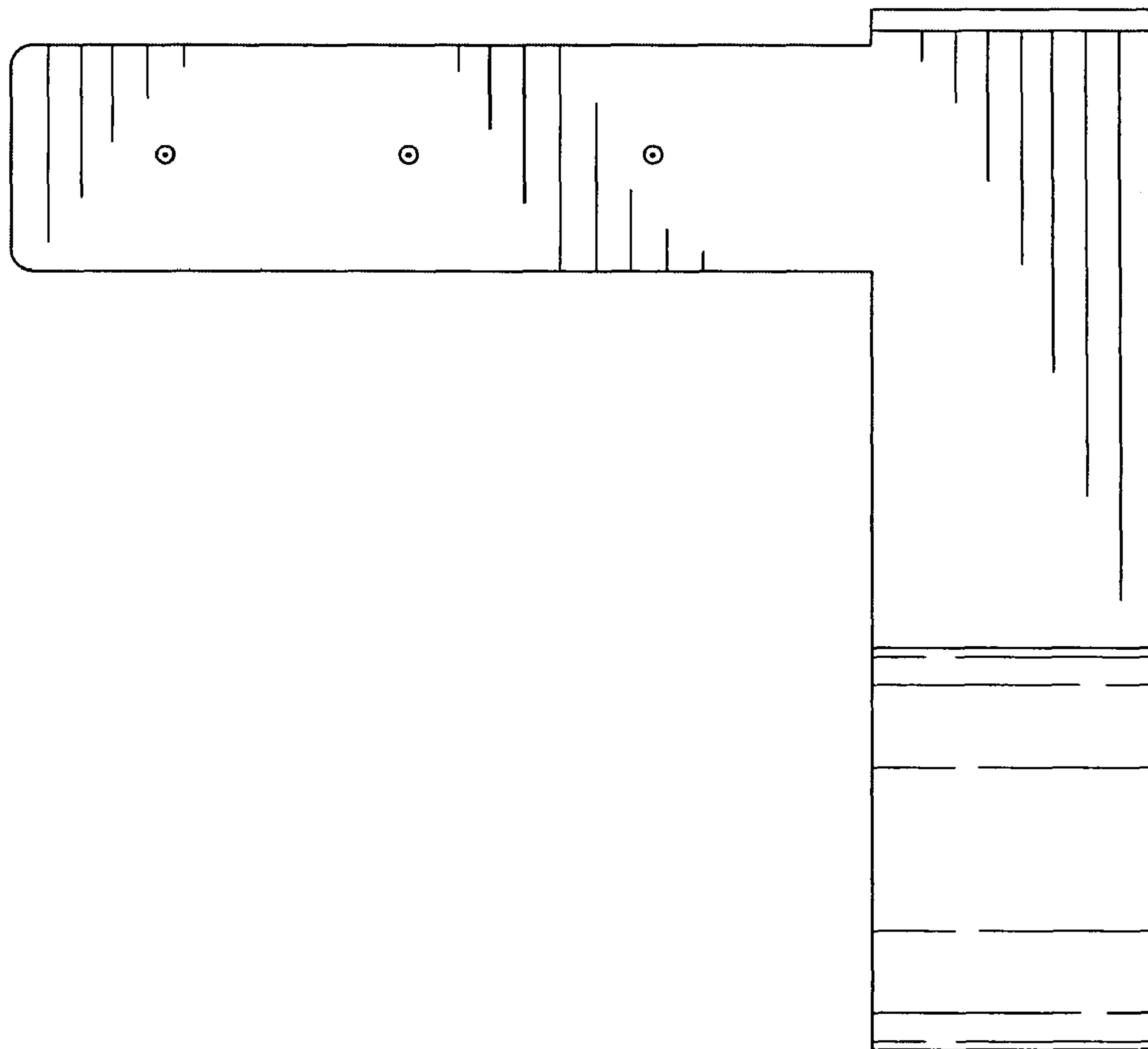


FIG. 7

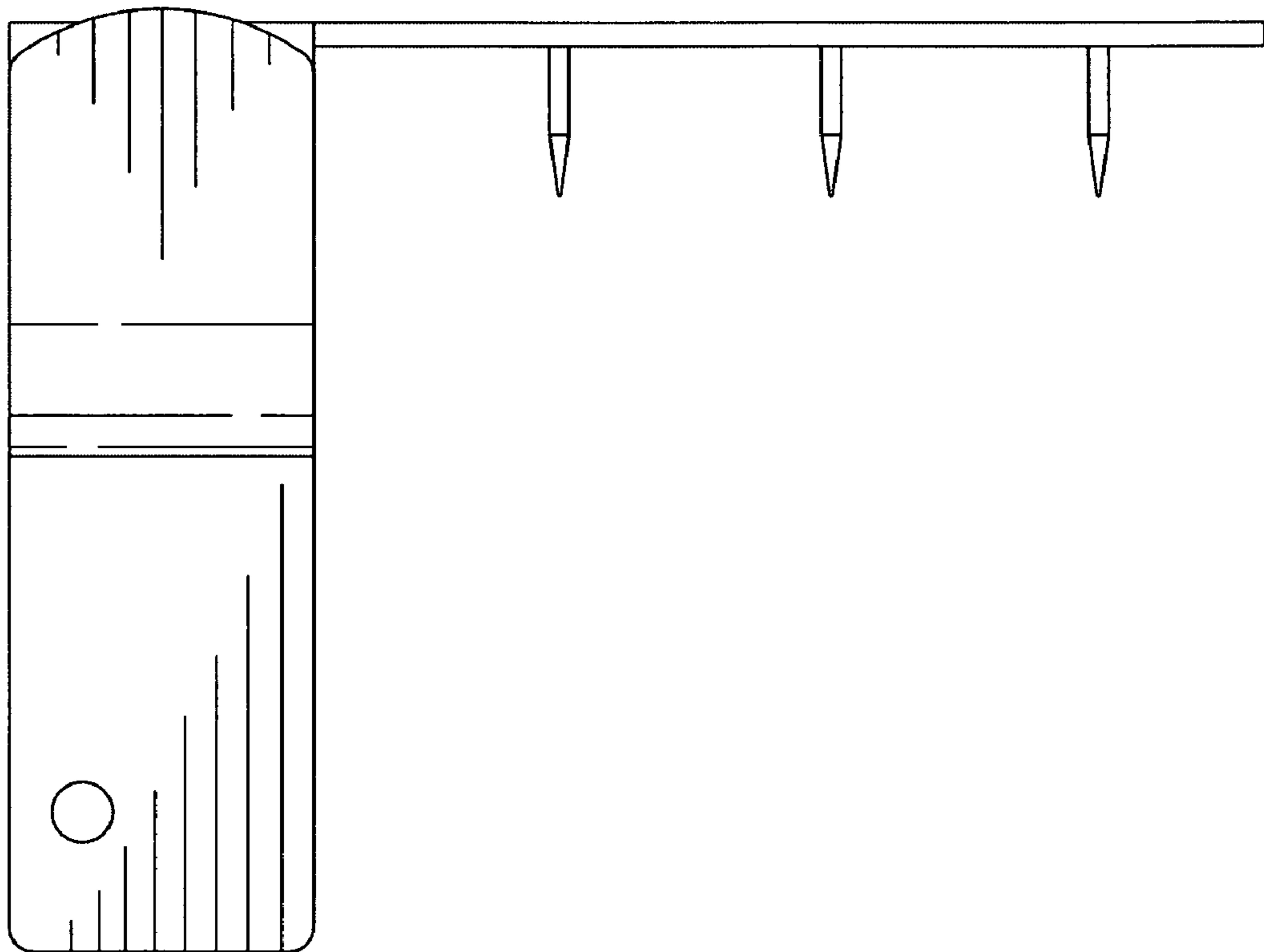


FIG. 8

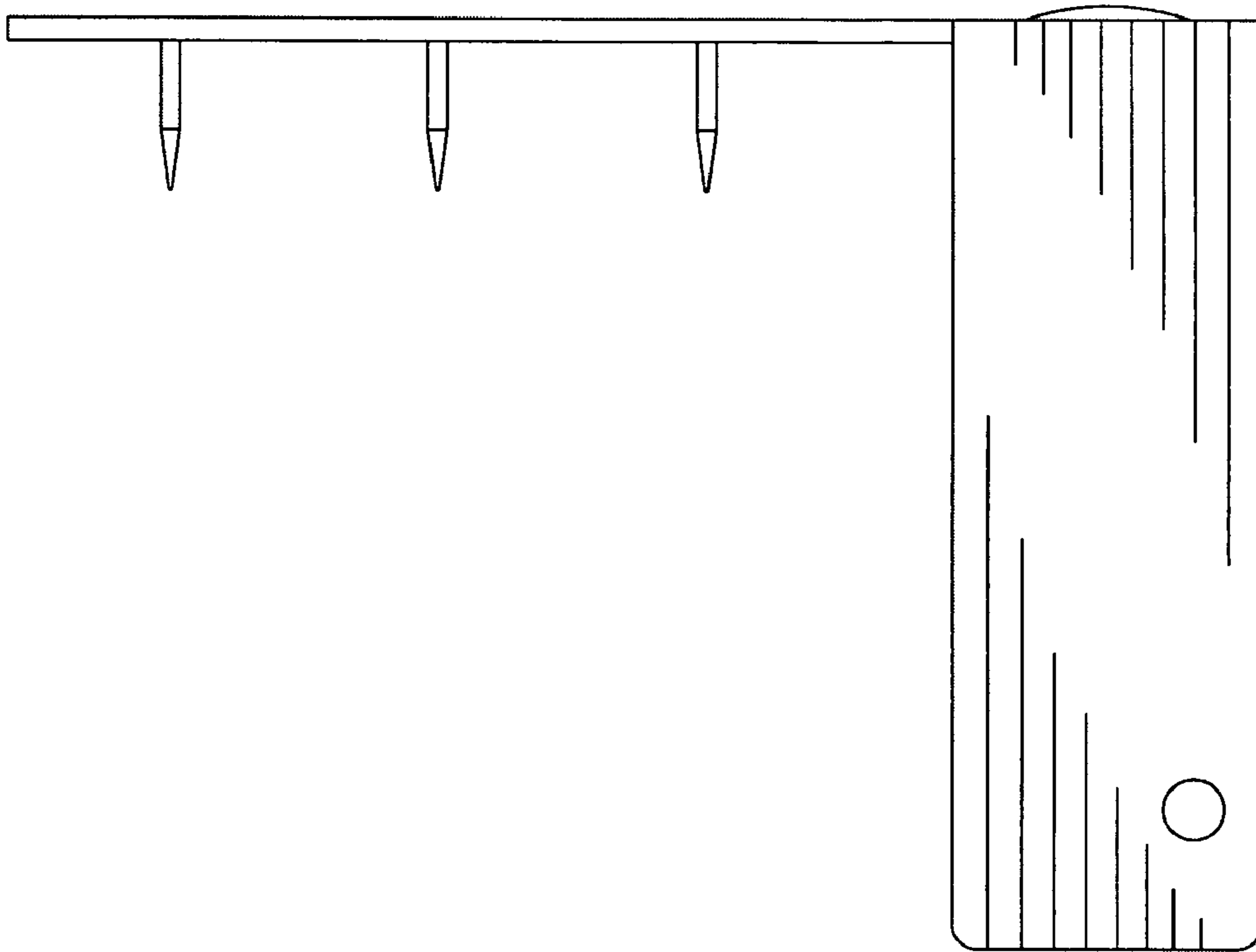


FIG. 9

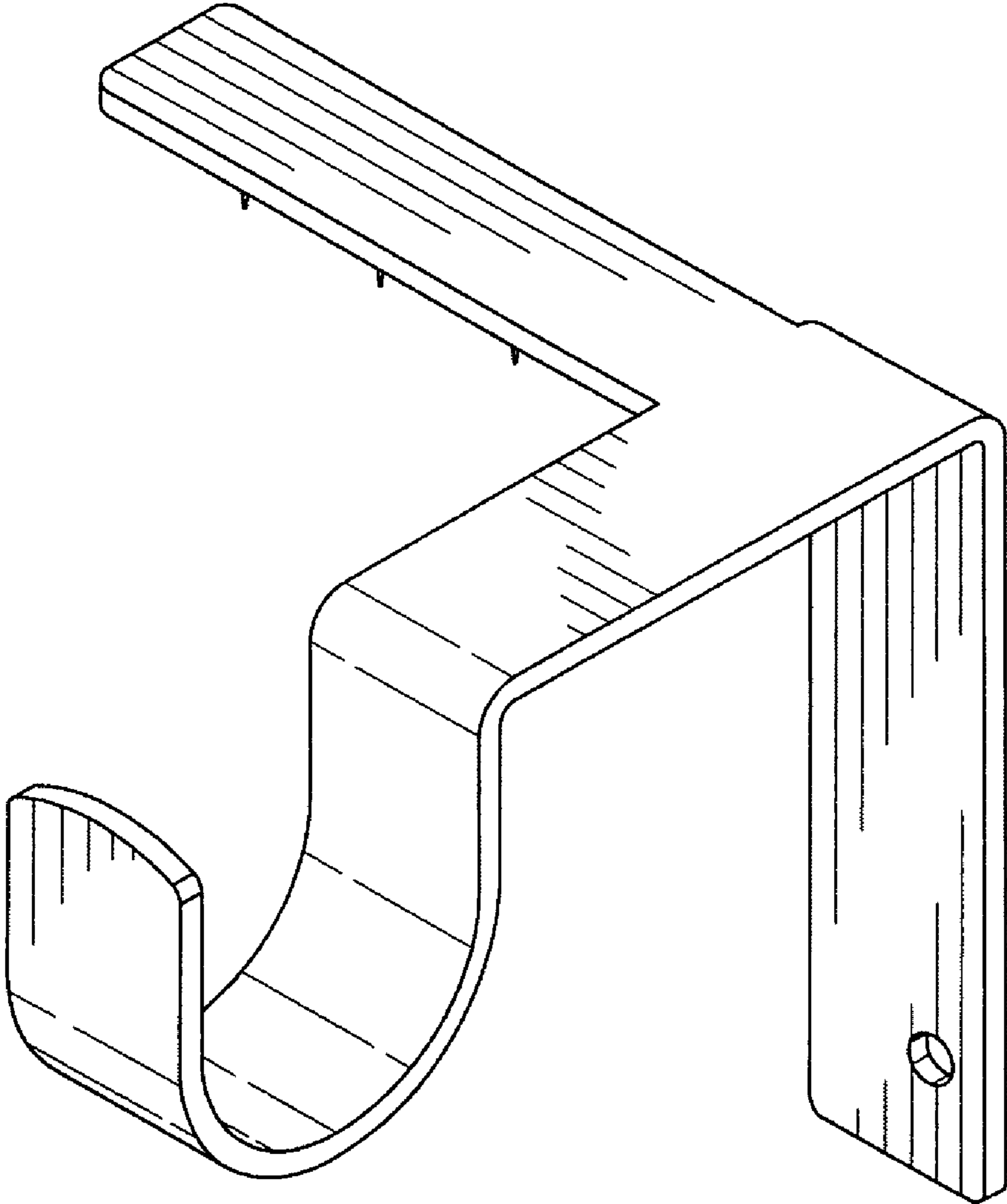


FIG. 10