



US00D678753S

(12) **United States Design Patent**  
**Ann**

(10) **Patent No.:** **US D678,753 S**  
(45) **Date of Patent:** **\*\* Mar. 26, 2013**

(54) **BRACKET FOR WALL HANGING A DISPLAY DEVICE**

(75) Inventor: **Sung-Jin Ann**, Seoul (KR)

(73) Assignee: **Samsung Electronics Co., Ltd.**, Suwon, Kyunggi-do (KR)

(\*\*) Term: **14 Years**

(21) Appl. No.: **29/415,108**

(22) Filed: **Mar. 7, 2012**

(30) **Foreign Application Priority Data**

Oct. 6, 2011 (KR) ..... 30-2011-0041417

(51) **LOC (9) Cl.** ..... **08-05**

(52) **U.S. Cl.** ..... **D8/354; D8/373**

(58) **Field of Classification Search** ..... D8/373,  
D8/354, 349, 363; D6/569; 248/309.1  
See application file for complete search history.

(56) **References Cited**

**U.S. PATENT DOCUMENTS**

D483,653 S \* 12/2003 Immerman ..... D8/354  
D532,679 S \* 11/2006 Ignagni ..... D8/354  
D545,304 S \* 6/2007 Sergi ..... D14/238

D571,188 S \* 6/2008 Brassard ..... D8/354  
D630,499 S \* 1/2011 Houghton ..... D8/373  
D633,779 S \* 3/2011 Bennett et al. .... D8/354  
D640,912 S \* 7/2011 Watts et al. .... D8/349  
D649,864 S \* 12/2011 Symons ..... D8/356

\* cited by examiner

*Primary Examiner* — Cynthia Underwood

(74) *Attorney, Agent, or Firm* — Flynn, Thiel, Boutell & Tanis, P.C.

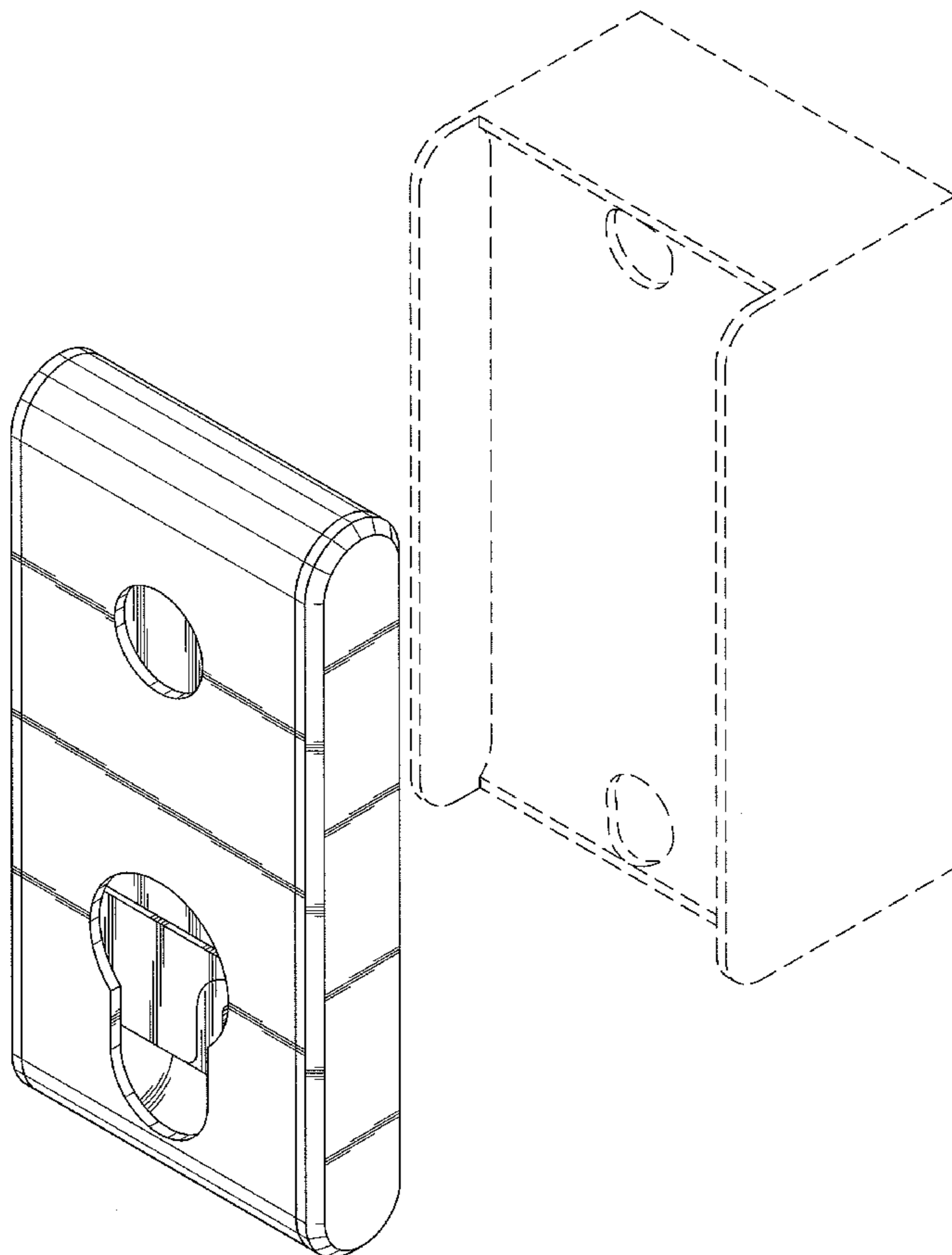
(57) **CLAIM**

The ornamental design for a bracket for wall hanging a display device, as shown and described.

**DESCRIPTION**

FIG. 1 is a top front perspective view of a bracket for wall hanging a display device showing my new design; FIG. 2 is a front elevational view thereof; FIG. 3 is a rear elevational view thereof; FIG. 4 is a left side elevational view thereof; FIG. 5 is a right side elevational view thereof; FIG. 6 is a top plan view thereof; FIG. 7 is a bottom plan view thereof; and, FIG. 8 is a perspective view shown in an environment of use with a gap adjustment bracket shown in broken lines and forming no part of the claim.

**1 Claim, 4 Drawing Sheets**



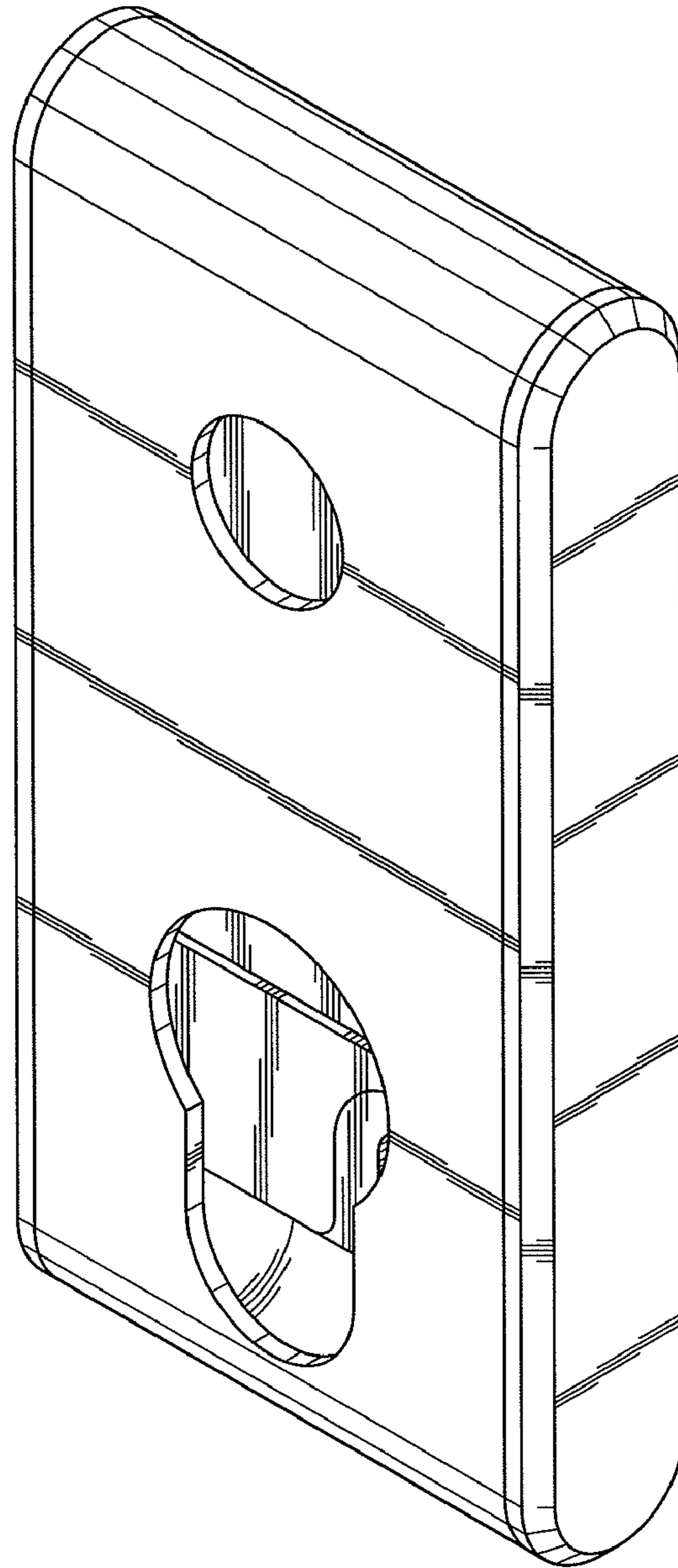


FIG.1

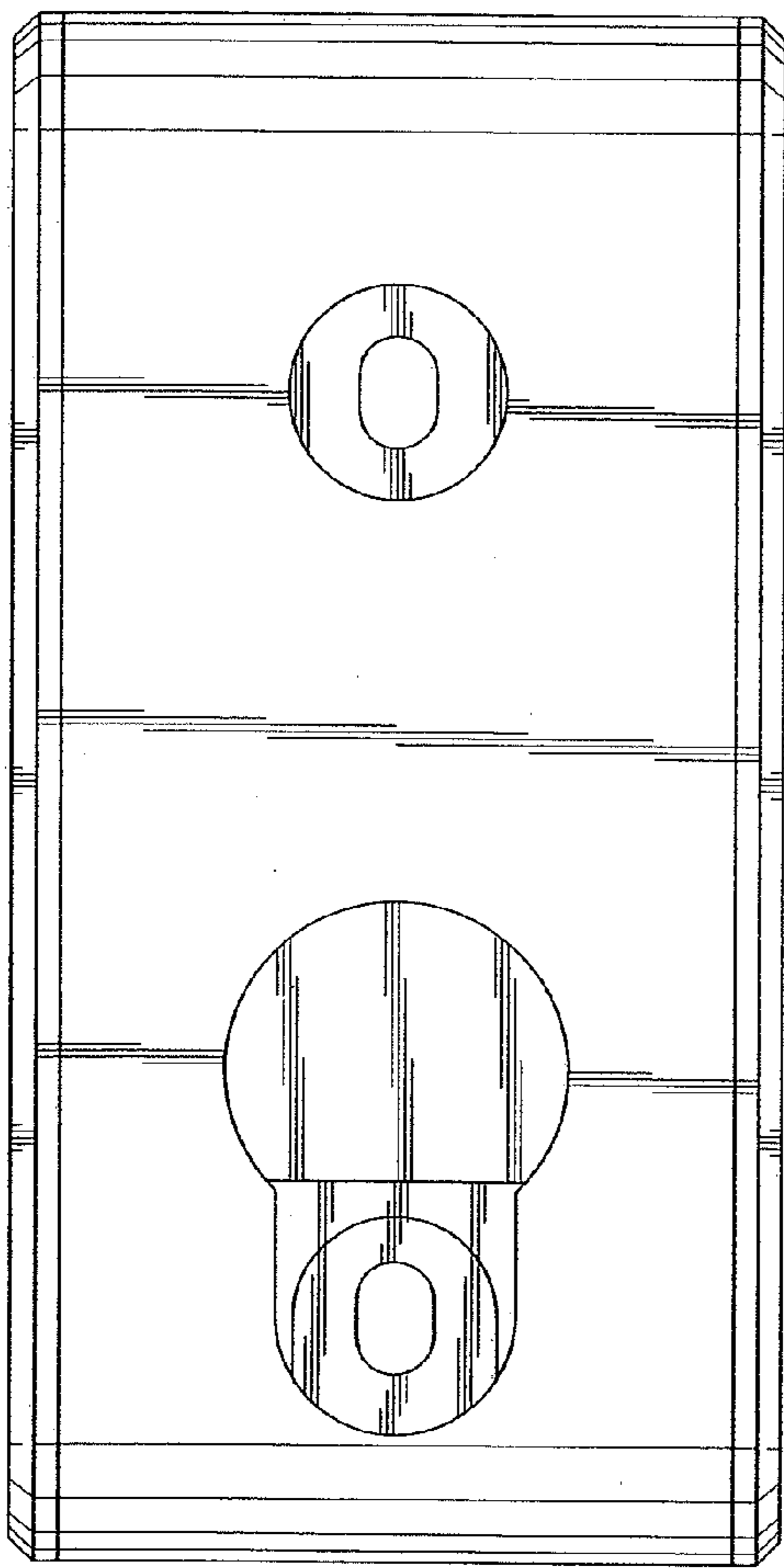


FIG. 2

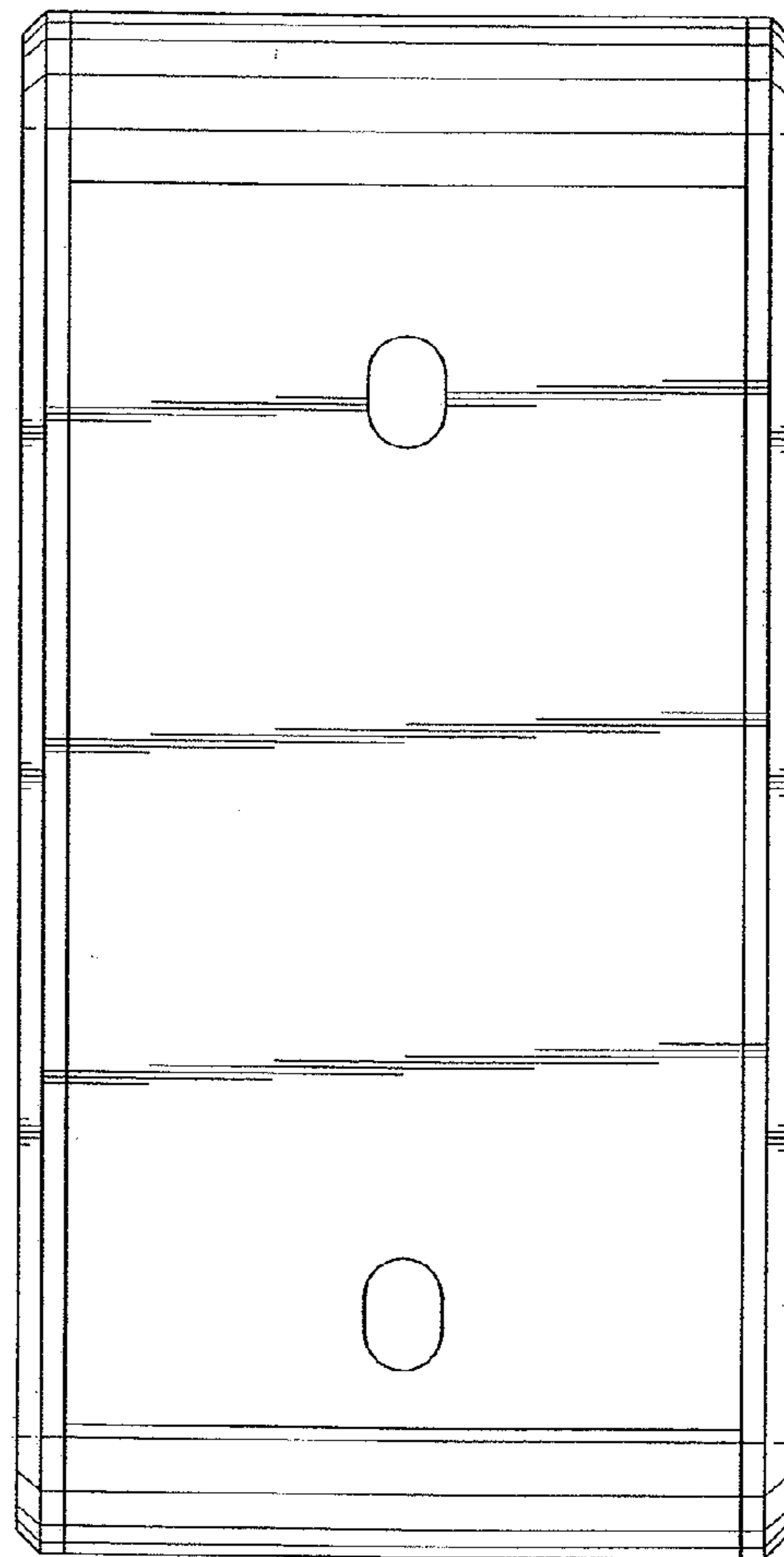


FIG. 3

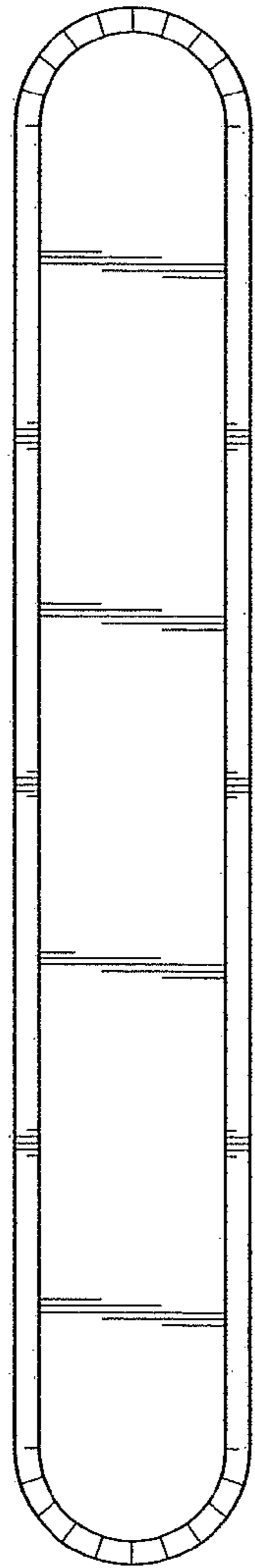


FIG. 4

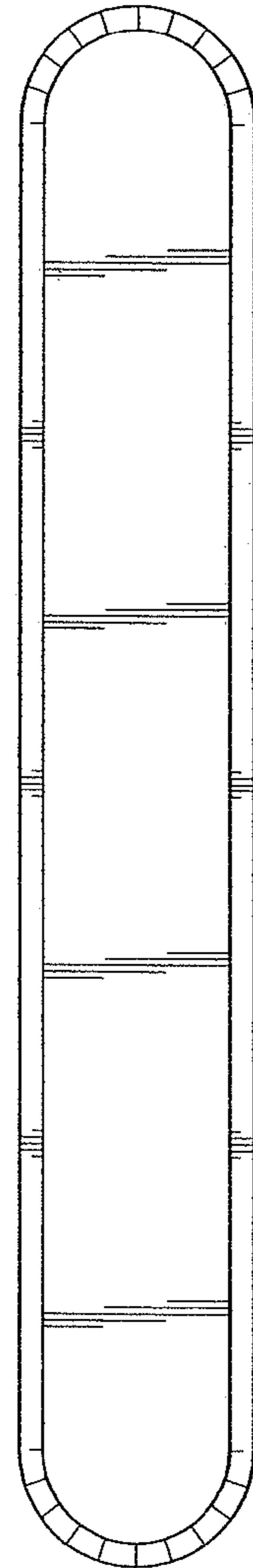


FIG. 5

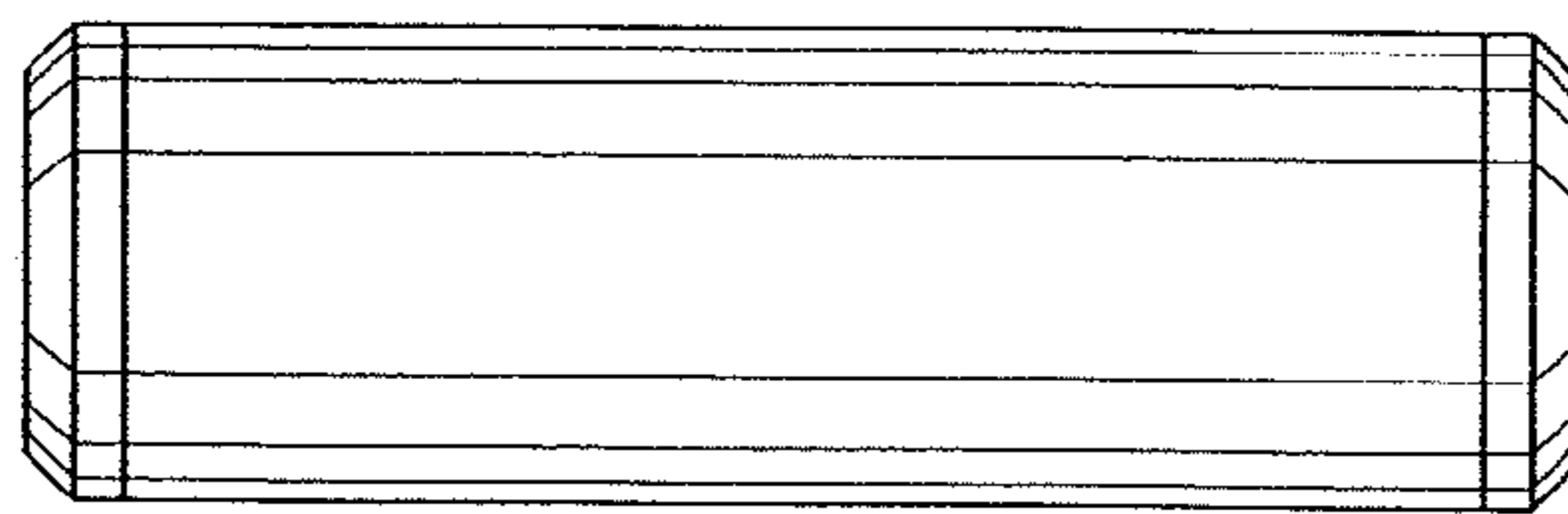


FIG. 6

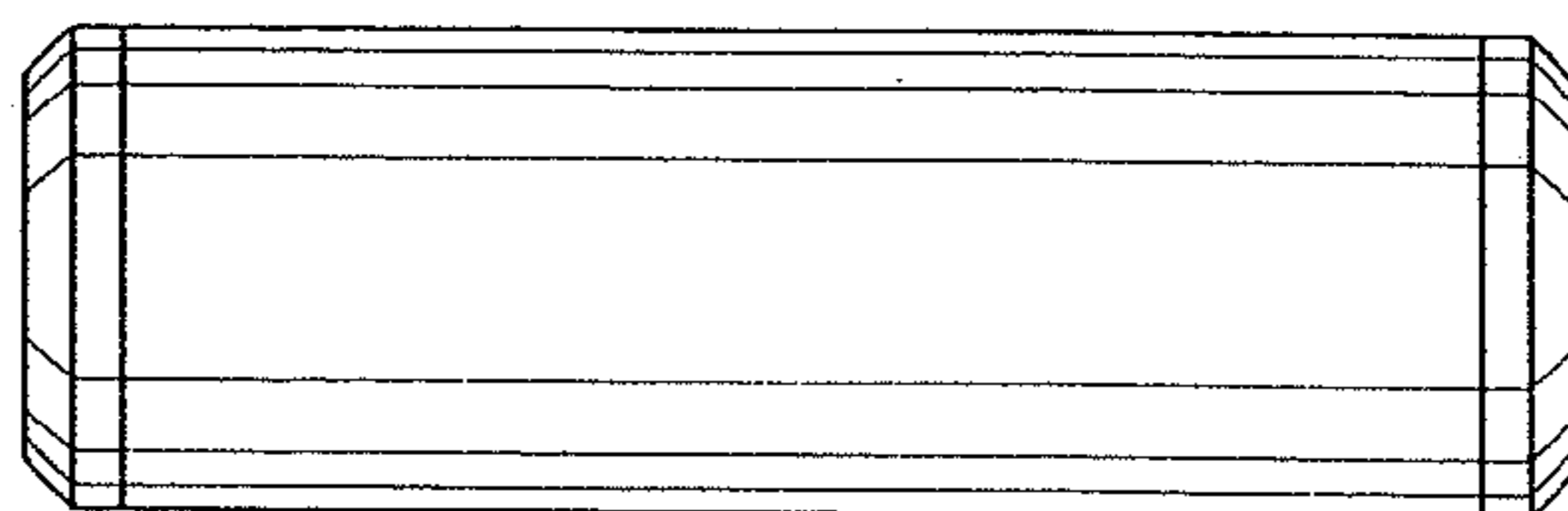


FIG. 7

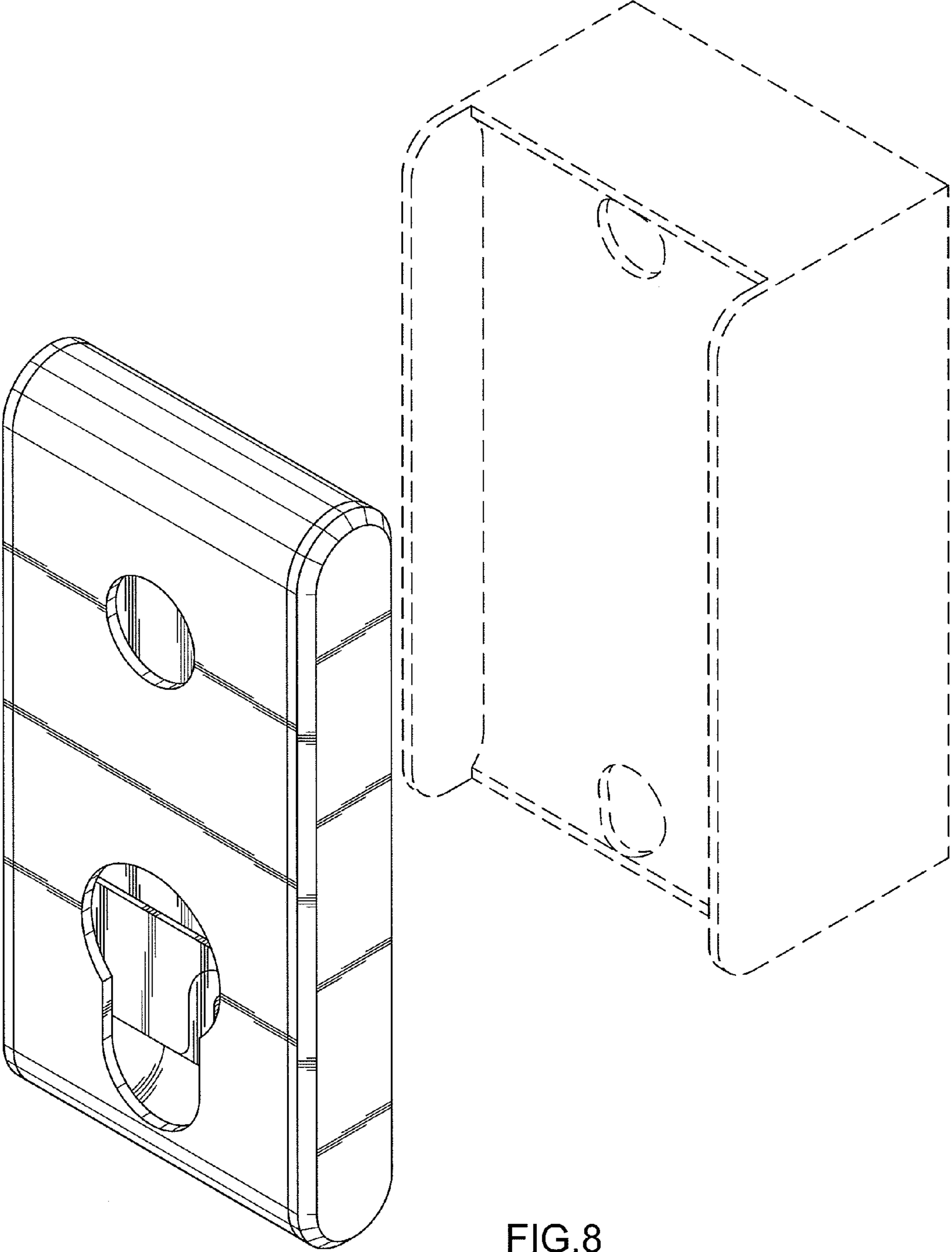


FIG.8