



US00D678751S

(12) **United States Design Patent**
Schmidt et al.

(10) **Patent No.:** **US D678,751 S**

(45) **Date of Patent:** **** *Mar. 26, 2013**

(54) **COMBINATION LOCK**

(75) Inventors: **Peter Schmidt**, San Jose, CA (US);
Kurt Kempainen, Mound, MN (US)

(73) Assignee: **Wordlock, Inc.**, Santa Clara, CA (US)

(*) Notice: This patent is subject to a terminal disclaimer.

(**) Term: **14 Years**

(21) Appl. No.: **29/402,810**

(22) Filed: **Sep. 27, 2011**

(51) **LOC (9) Cl.** **08-07**

(52) **U.S. Cl.** **D8/334**

(58) **Field of Classification Search** D8/330,
D8/331, 334, 343, 346, 333; 70/14, 20-28,
70/35, 51, 52, 38 A, 53, 54, DIG. 9, DIG. 63,
70/DIG. 71, 284, 285, 312, 315, 317, 318
See application file for complete search history.

(56) **References Cited**

U.S. PATENT DOCUMENTS

4,444,021	A *	4/1984	Kinsell et al.	62/95
D294,453	S *	3/1988	Ling	D8/334
D451,002	S *	11/2001	Lai	D8/334
6,539,761	B2 *	4/2003	Yang	70/284

6,729,166	B1 *	5/2004	Lai	70/25
D495,581	S *	9/2004	Ho	D8/334
6,877,345	B1 *	4/2005	Misner et al.	70/25
6,880,370	B2 *	4/2005	Yu	70/25
D535,548	S *	1/2007	Lin	D8/334
7,155,944	B1 *	1/2007	Lin	70/21
7,779,657	B2 *	8/2010	Yu	70/21
D639,635	S *	6/2011	Kempainen et al.	D8/334

* cited by examiner

Primary Examiner — Prabhakar Deshmukh

(74) *Attorney, Agent, or Firm* — Perkins Coie LLP

(57) **CLAIM**

The ornamental design for a combination lock, as shown and described.

DESCRIPTION

FIG. 1 is a perspective view of a combination lock showing our new design.

FIG. 2 is a front elevational view thereof.

FIG. 3 is a rear elevational view thereof.

FIG. 4 is a right-side elevational view thereof.

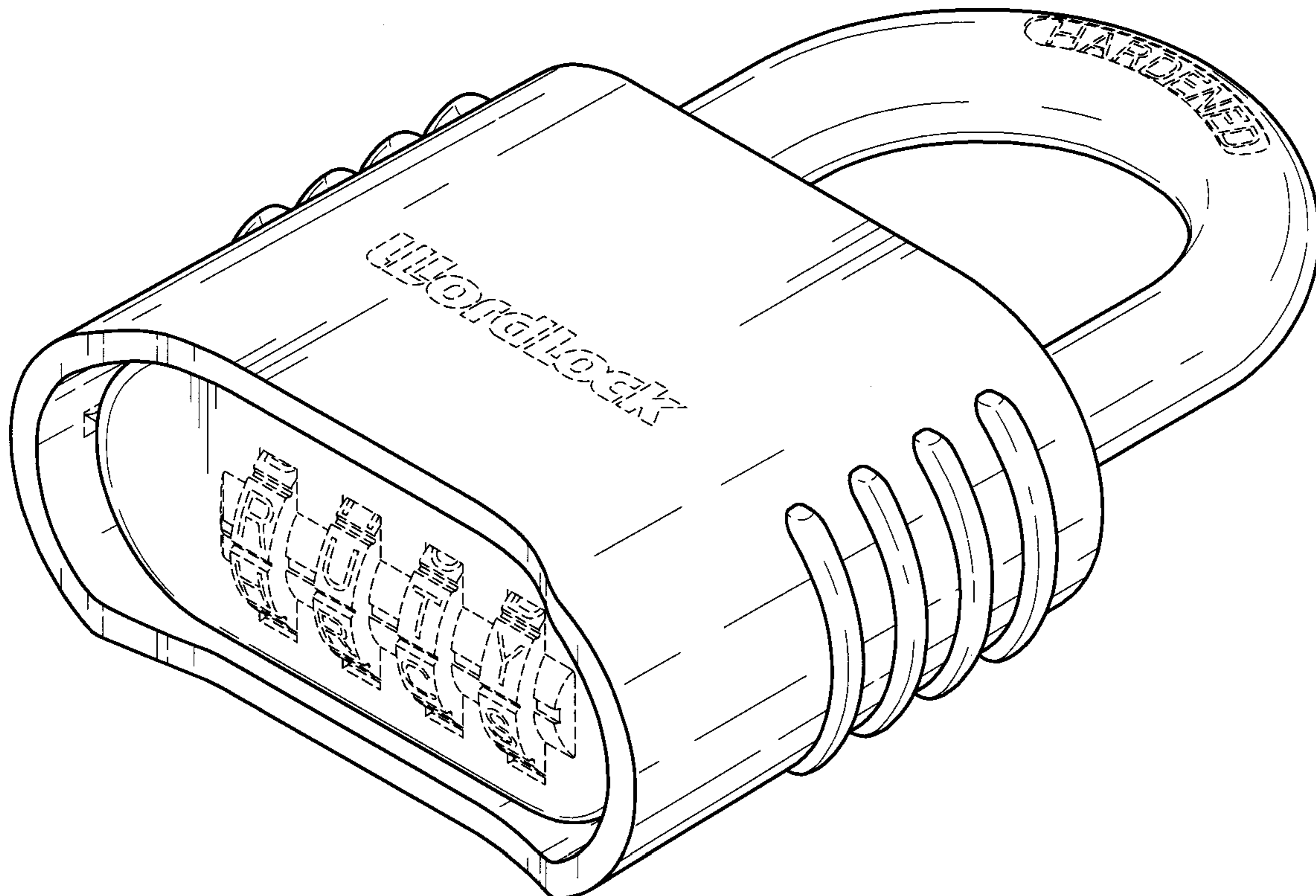
FIG. 5 is a left-side elevational view thereof.

FIG. 6 is a top plan view thereof; and,

FIG. 7 is a bottom plan view thereof.

The broken lines are for illustrative purposes only and form no part of the claimed design.

1 Claim, 4 Drawing Sheets



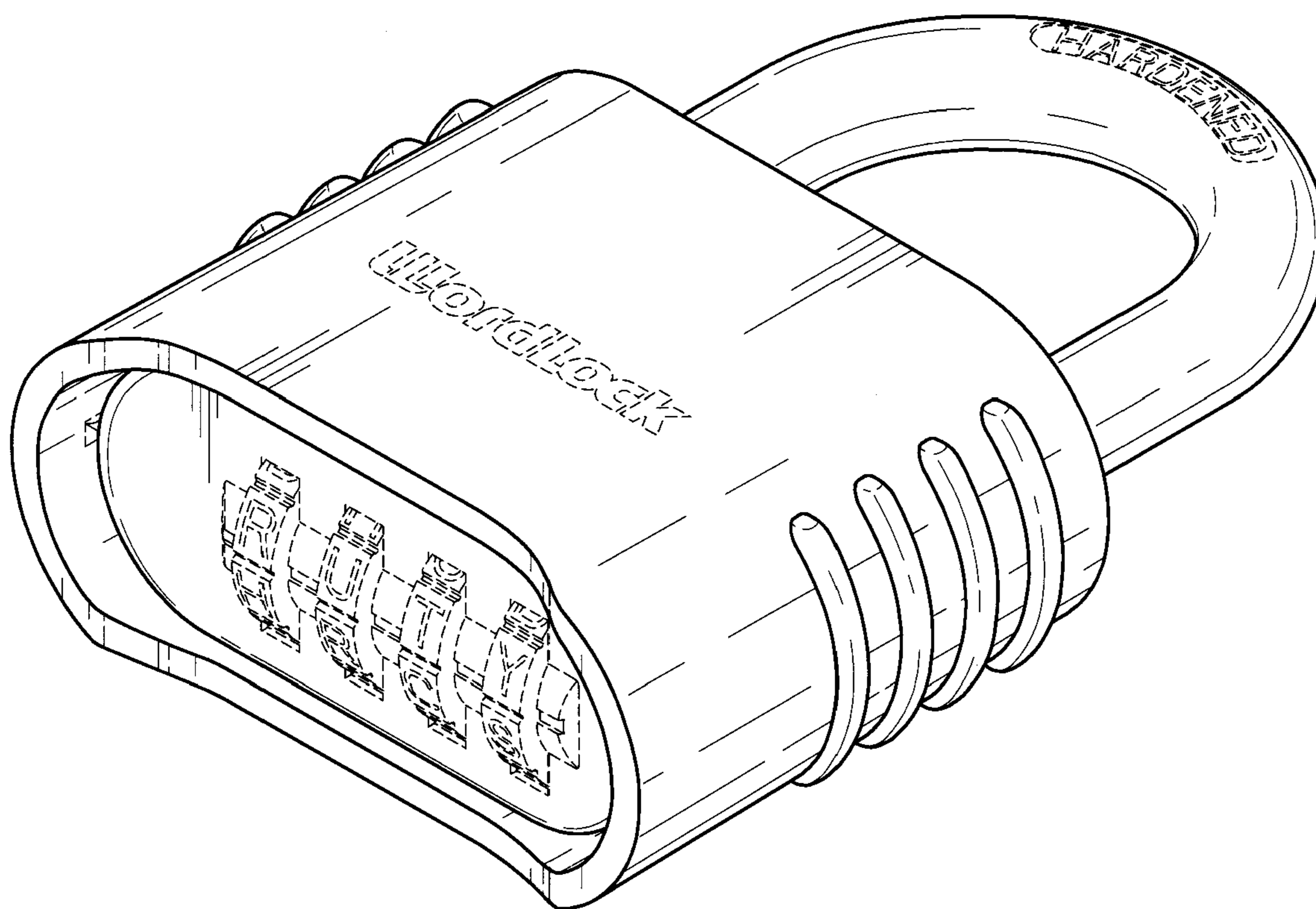


Fig. 1

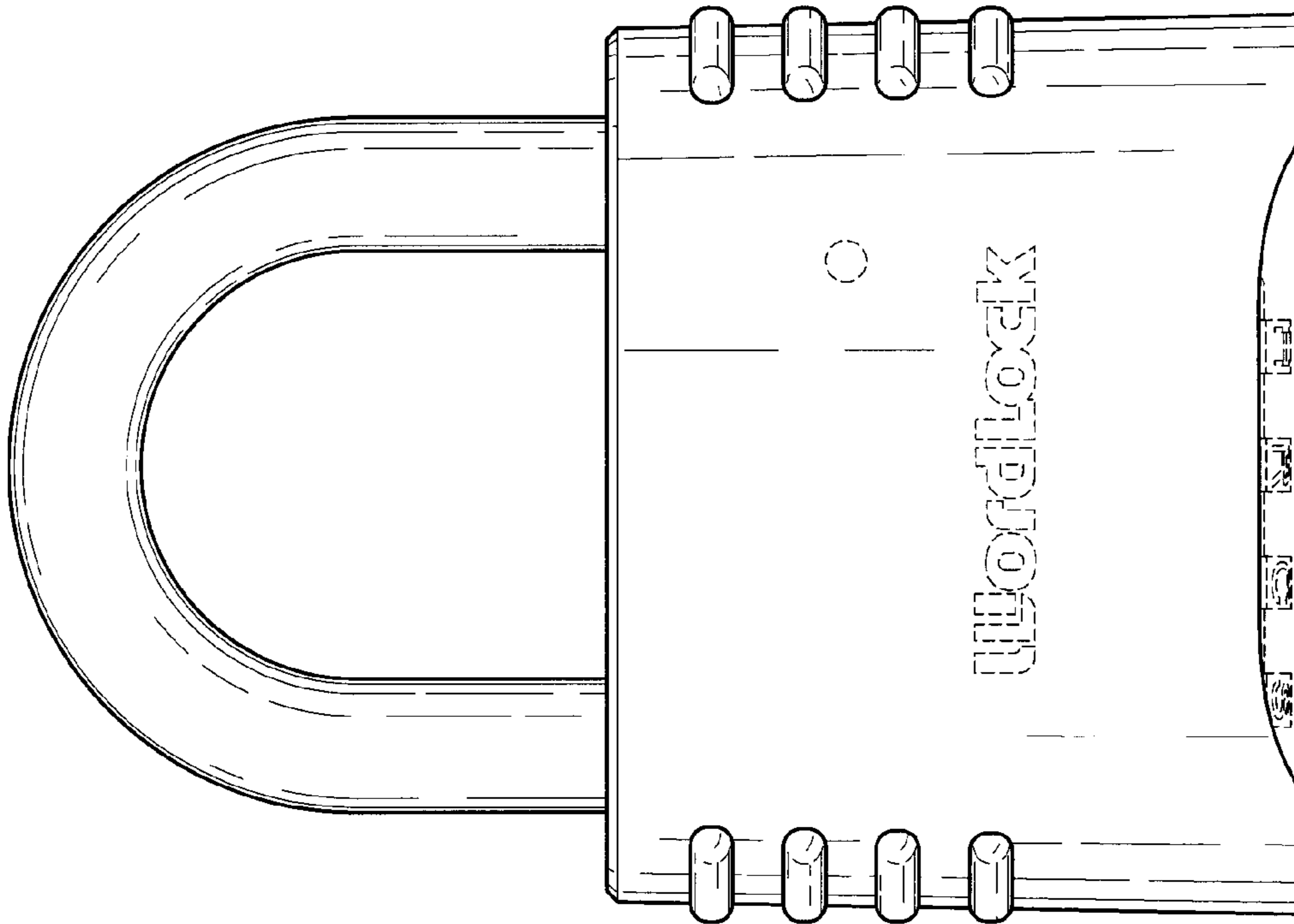


Fig. 2

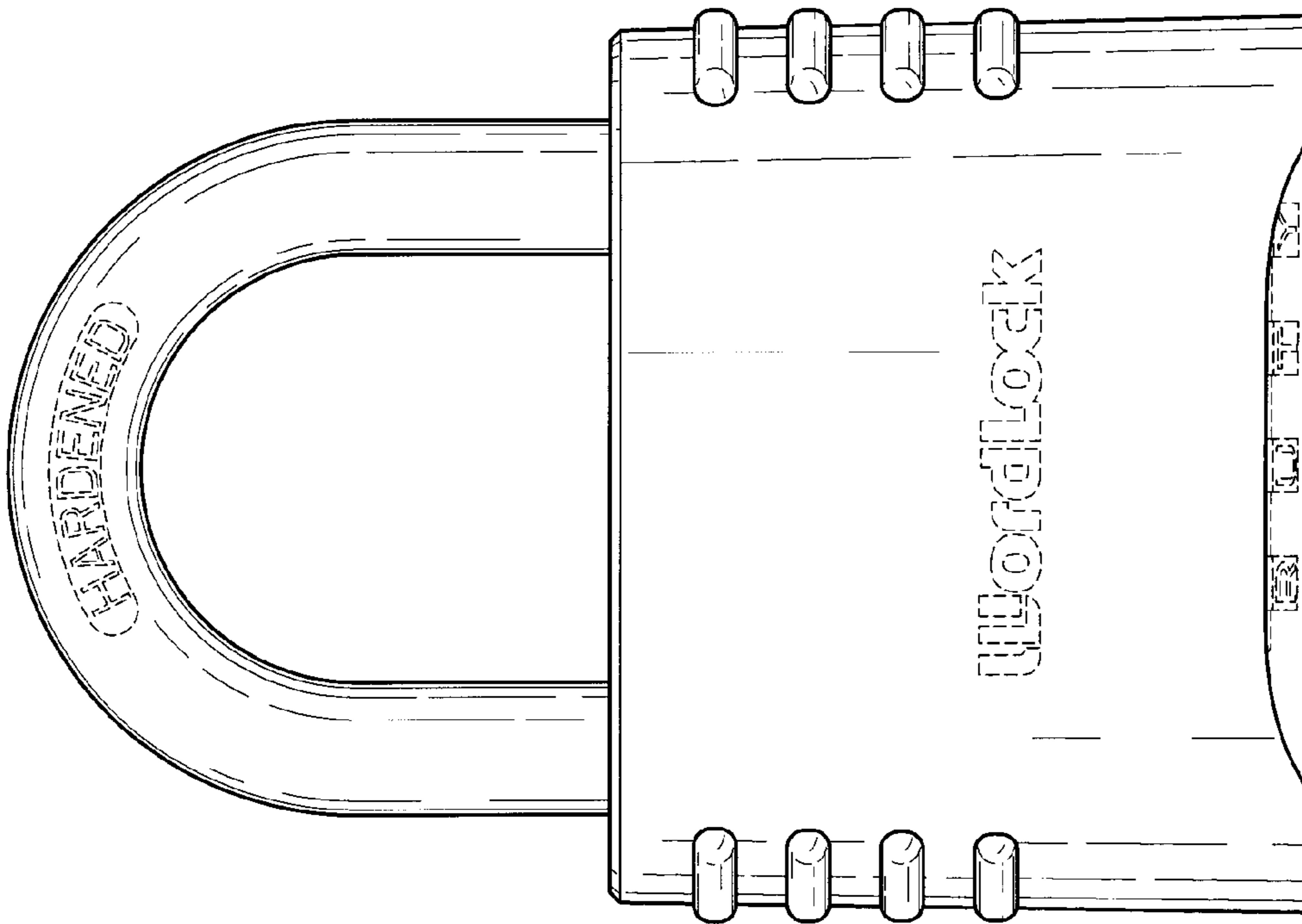


Fig. 3

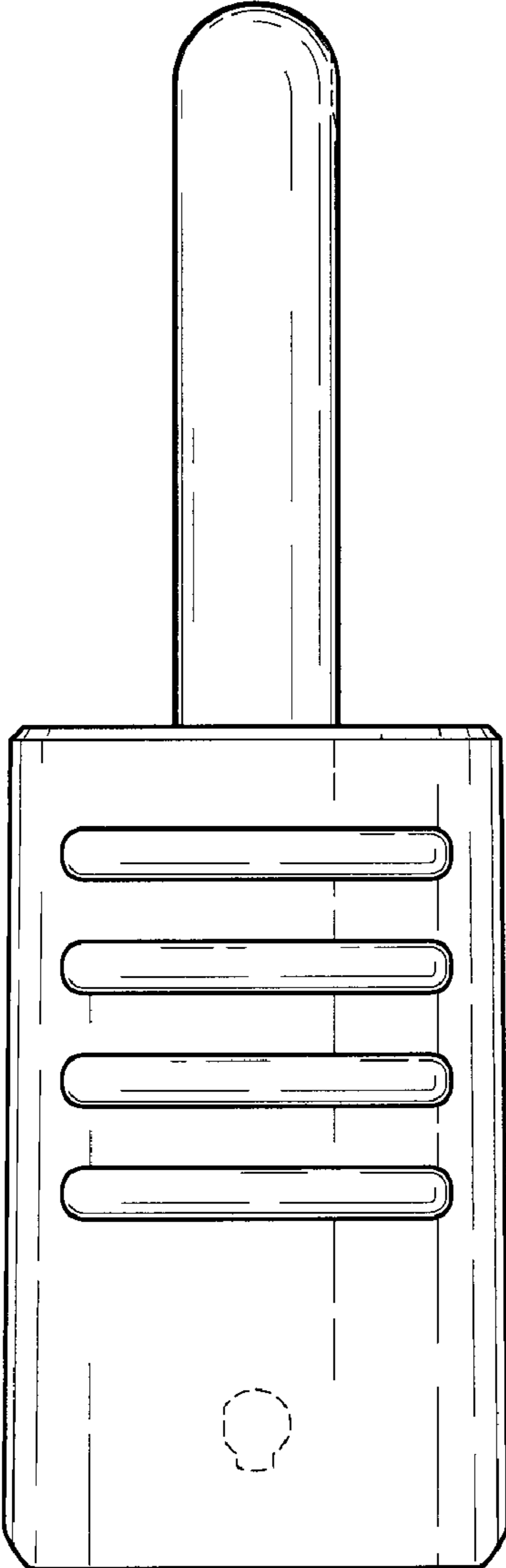


Fig. 4

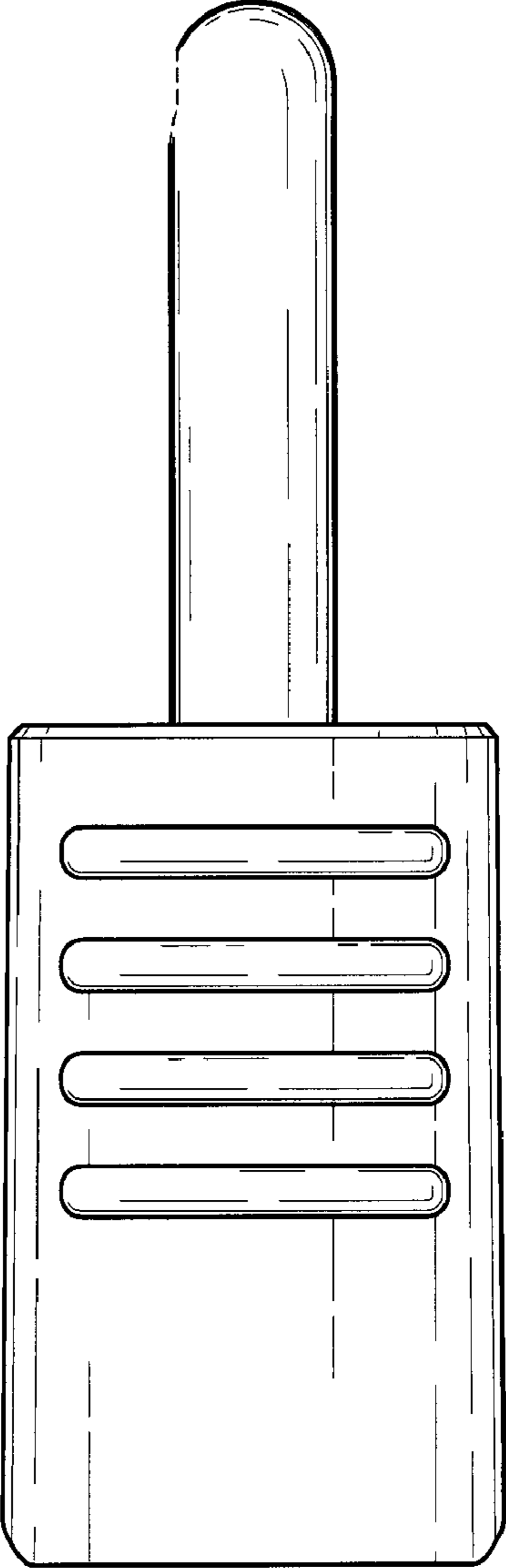


Fig. 5

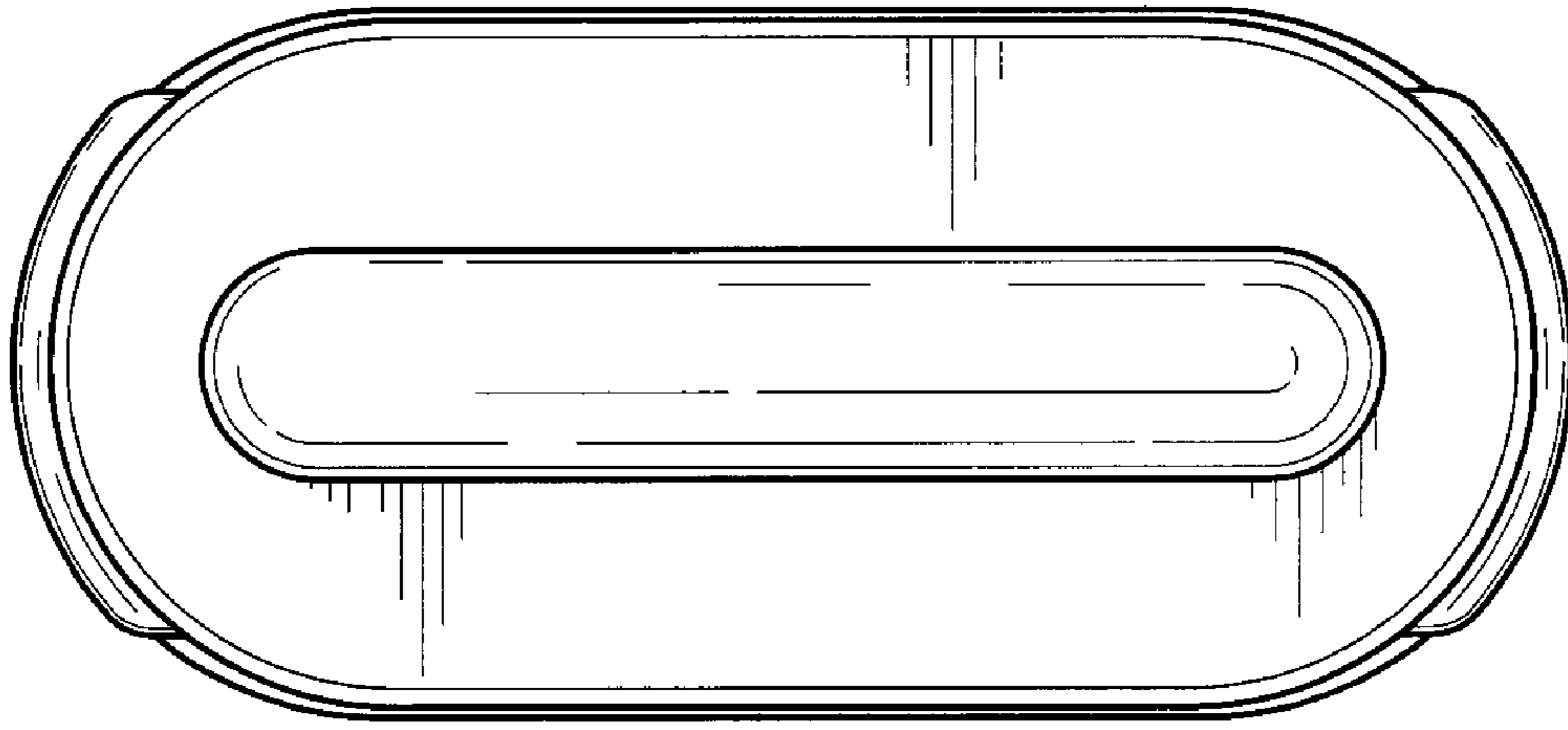


Fig. 6

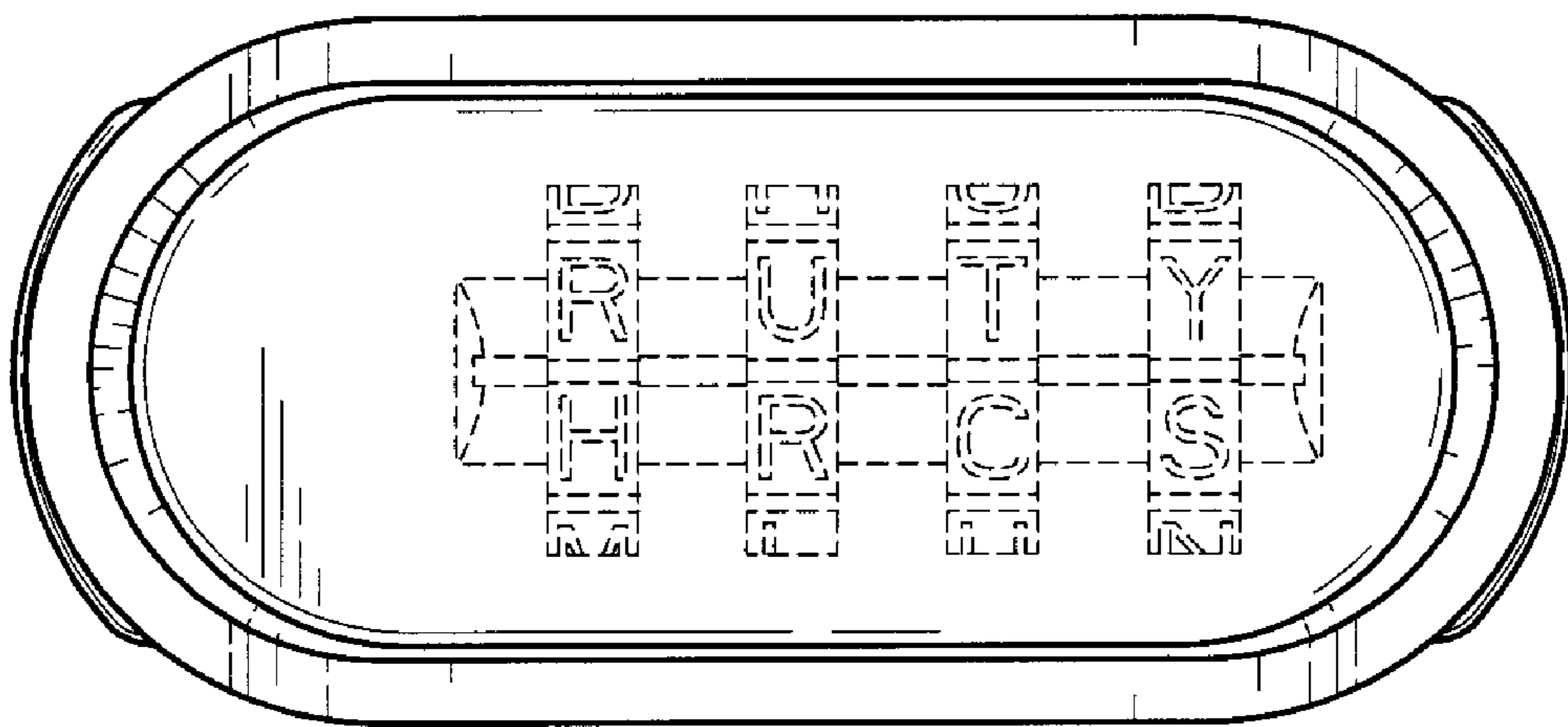


Fig. 7