



US00D678750S

(12) **United States Design Patent**  
**Tung**

(10) **Patent No.:** **US D678,750 S**  
(45) **Date of Patent:** **\*\* Mar. 26, 2013**

(54) **SLAM LATCH**

(75) Inventor: **Chin-Chung Tung**, New Taipei (TW)

(73) Assignee: **Marine Town Inc.**, Panchiao Dist., New Taipei (TW)

(\*\*) Term: **14 Years**

(21) Appl. No.: **29/371,786**

(22) Filed: **Sep. 23, 2011**

(51) **LOC (9) Cl.** ..... **08-07**

(52) **U.S. Cl.** ..... **D8/331**

(58) **Field of Classification Search** ..... D8/330,  
D8/331, 335, 339, 302, 343; 70/141, 208;  
292/336.3, 169, 358, 359, 170, 175, 165,  
292/224, 140-145, 240-242, DIG. 14, DIG. 30,  
292/DIG. 31, DIG. 4

See application file for complete search history.

(56) **References Cited**

**U.S. PATENT DOCUMENTS**

4,706,478	A *	11/1987	Swan et al.	70/28
5,299,844	A *	4/1994	Gleason	292/240
5,913,908	A *	6/1999	Czipri	70/208
5,984,383	A *	11/1999	Parikh et al.	292/121
6,543,821	B1 *	4/2003	Weinerman et al.	292/123
D506,120	S *	6/2005	Straka et al.	D8/331
D530,181	S *	10/2006	Straka et al.	D8/301

D536,949	S *	2/2007	Weinerman et al.	D8/331
D565,930	S *	4/2008	Peng	D8/331
D585,724	S *	2/2009	Wu et al.	D8/331
D587,558	S *	3/2009	Sarnowski	D8/331
D590,234	S *	4/2009	Wu et al.	D8/331
D596,920	S *	7/2009	Cotton et al.	D8/331

\* cited by examiner

*Primary Examiner* — Prabhakar Deshmukh

(74) *Attorney, Agent, or Firm* — Charles E. Baxley

(57) **CLAIM**

The ornamental design for a slam latch, as shown and described.

**DESCRIPTION**

FIG. 1 is a perspective view of a slam latch showing our new design thereof;

FIG. 2 is a front elevational view thereof;

FIG. 3 is a rear elevational view thereof;

FIG. 4 is a left side elevational view thereof;

FIG. 5 is a right side elevational view thereof;

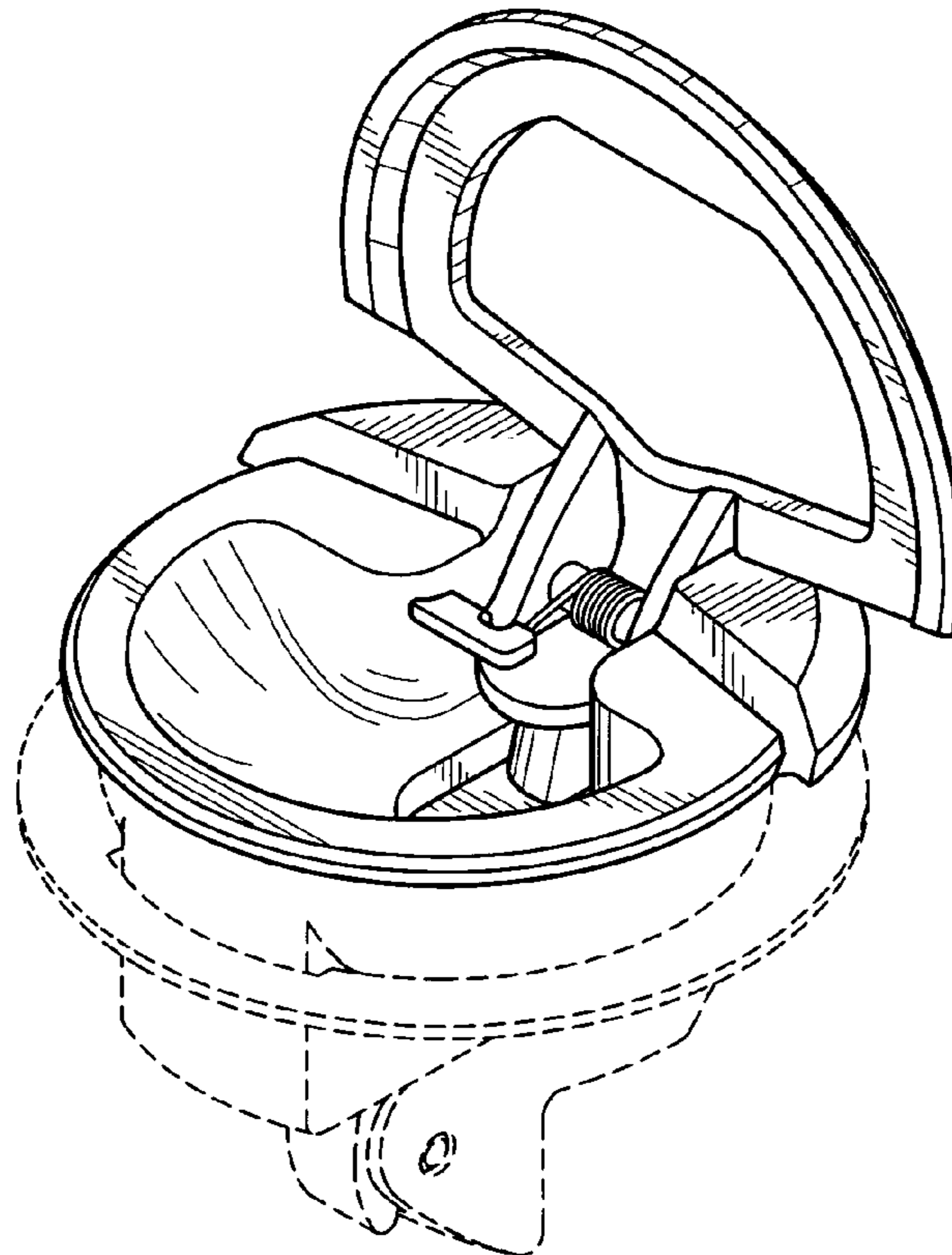
FIG. 6 is a top plan view thereof;

FIG. 7 is a bottom plan view thereof; and,

FIG. 8 is perspective view thereof, with the slam latch shown in open position and its environmental use.

The broken line environment is for illustrative purpose only and forms no part of the claimed design.

**1 Claim, 5 Drawing Sheets**



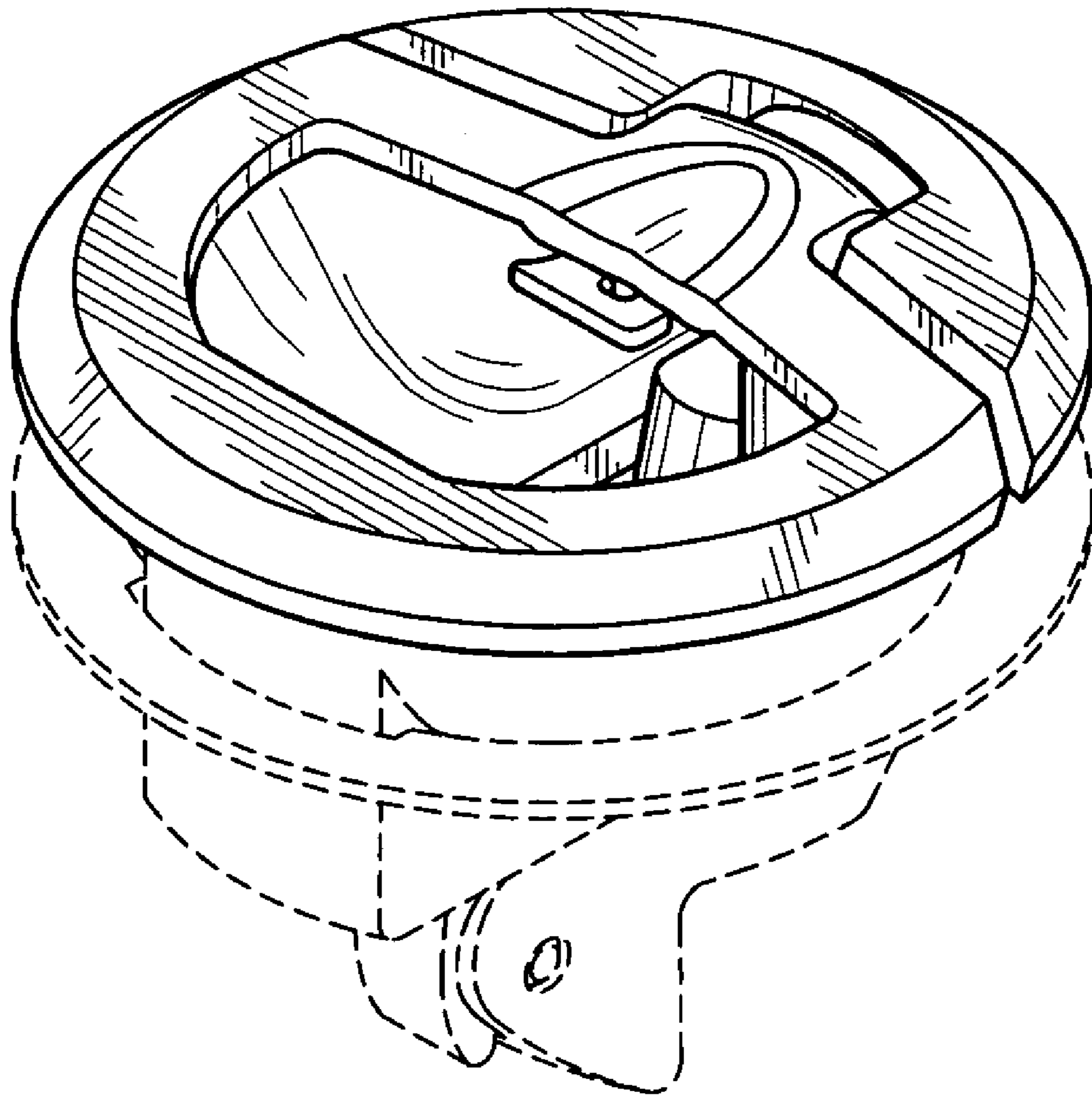


FIG. 1

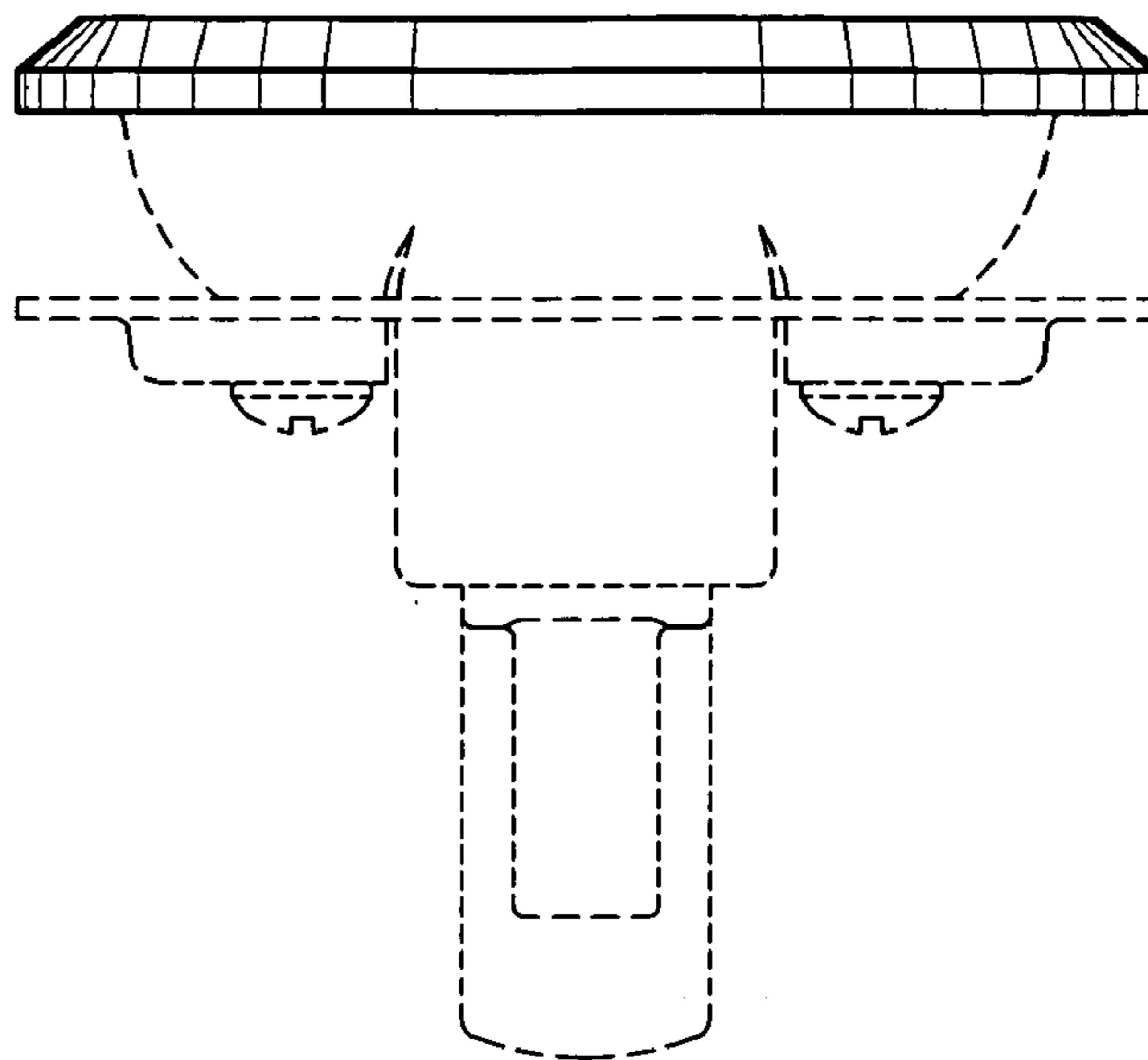


FIG. 2

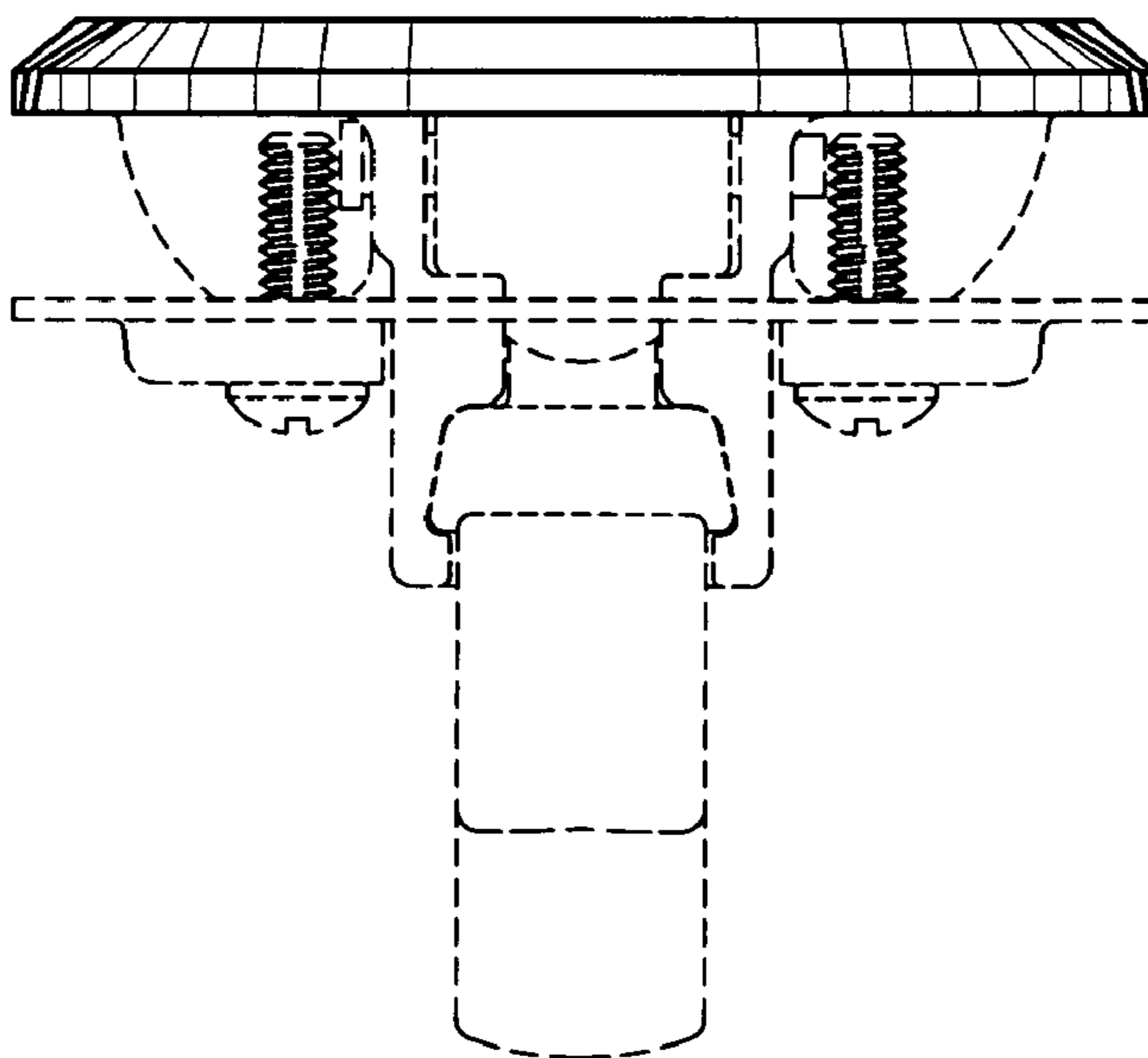


FIG. 3

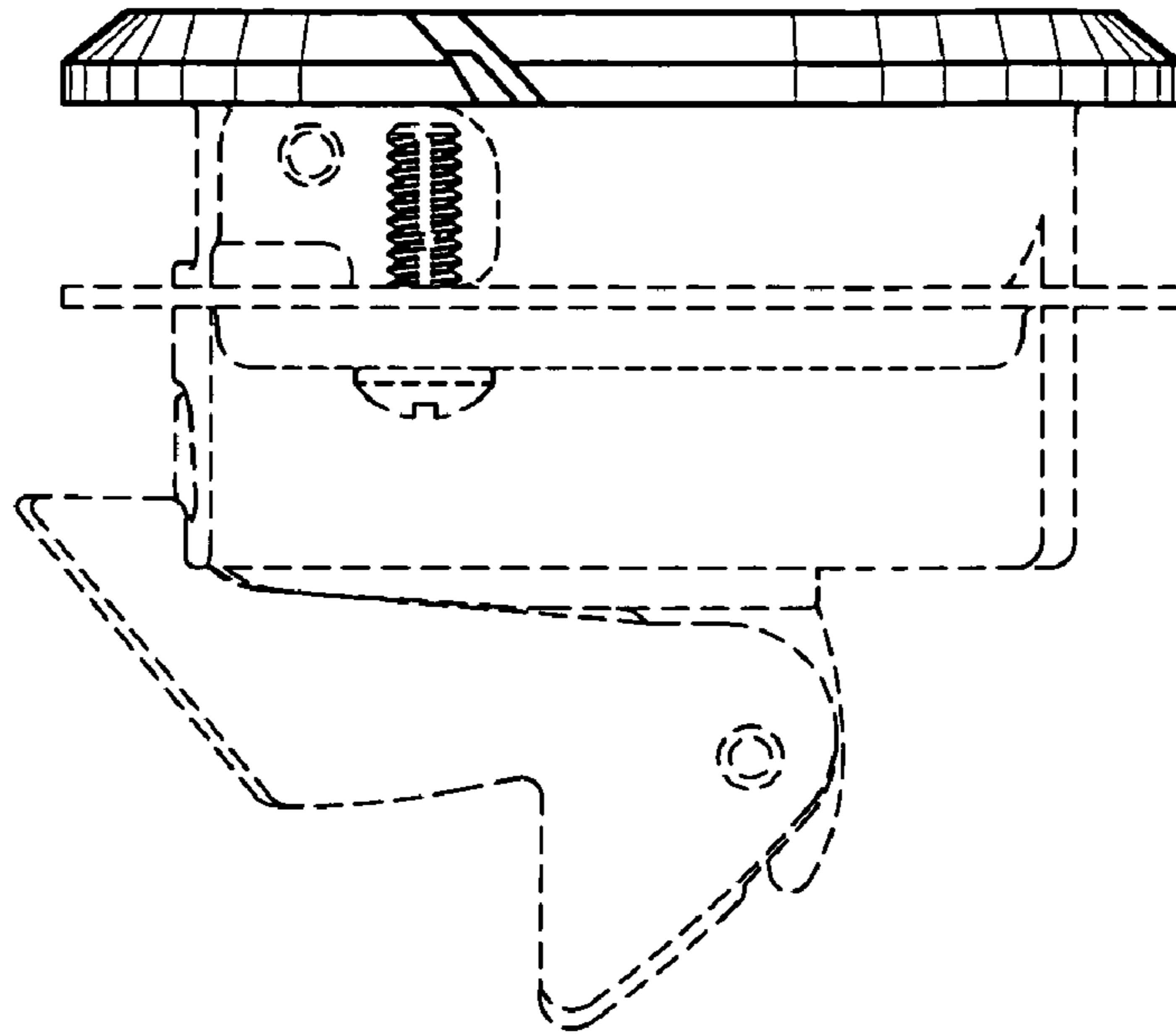


FIG. 4

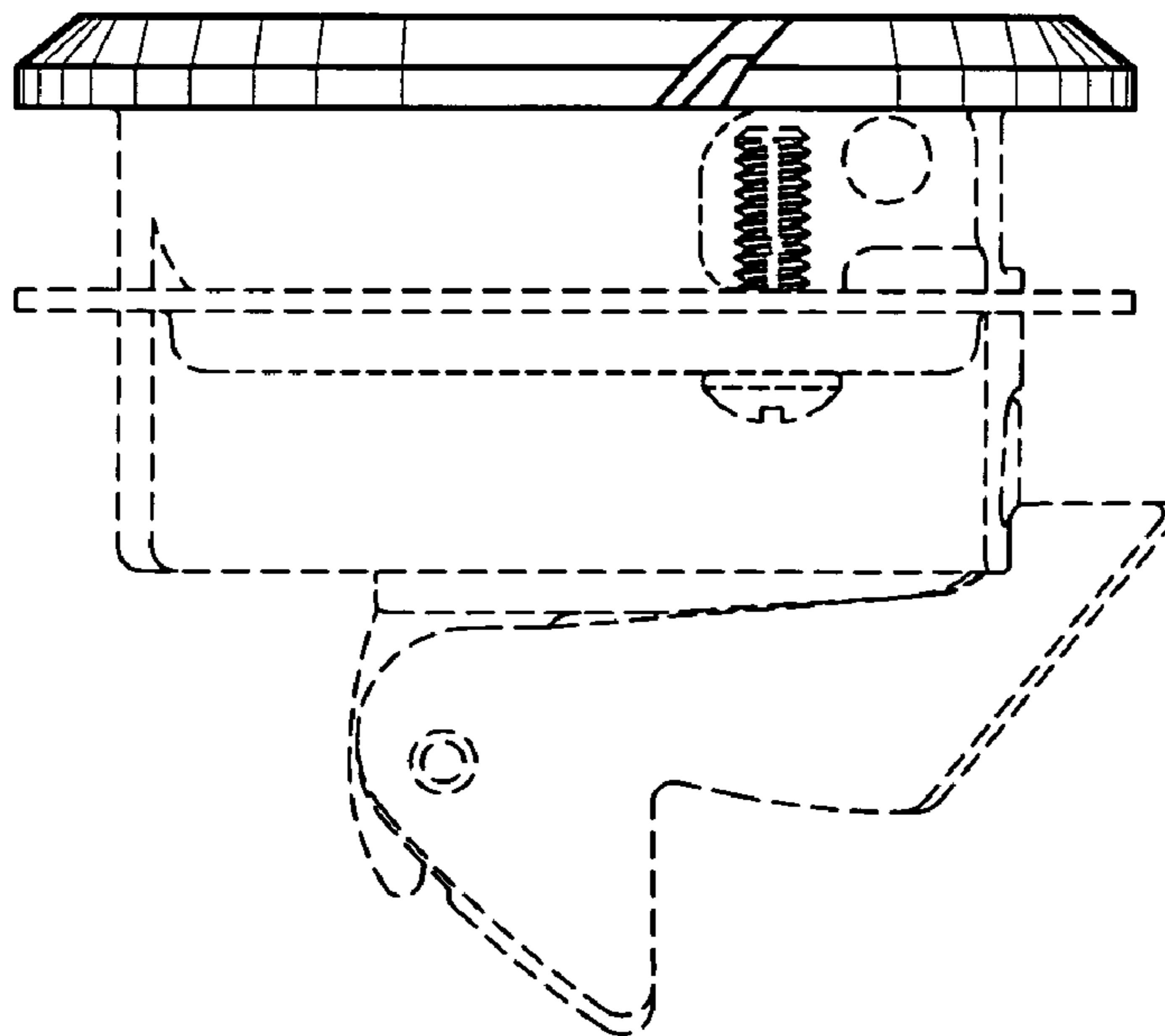


FIG. 5

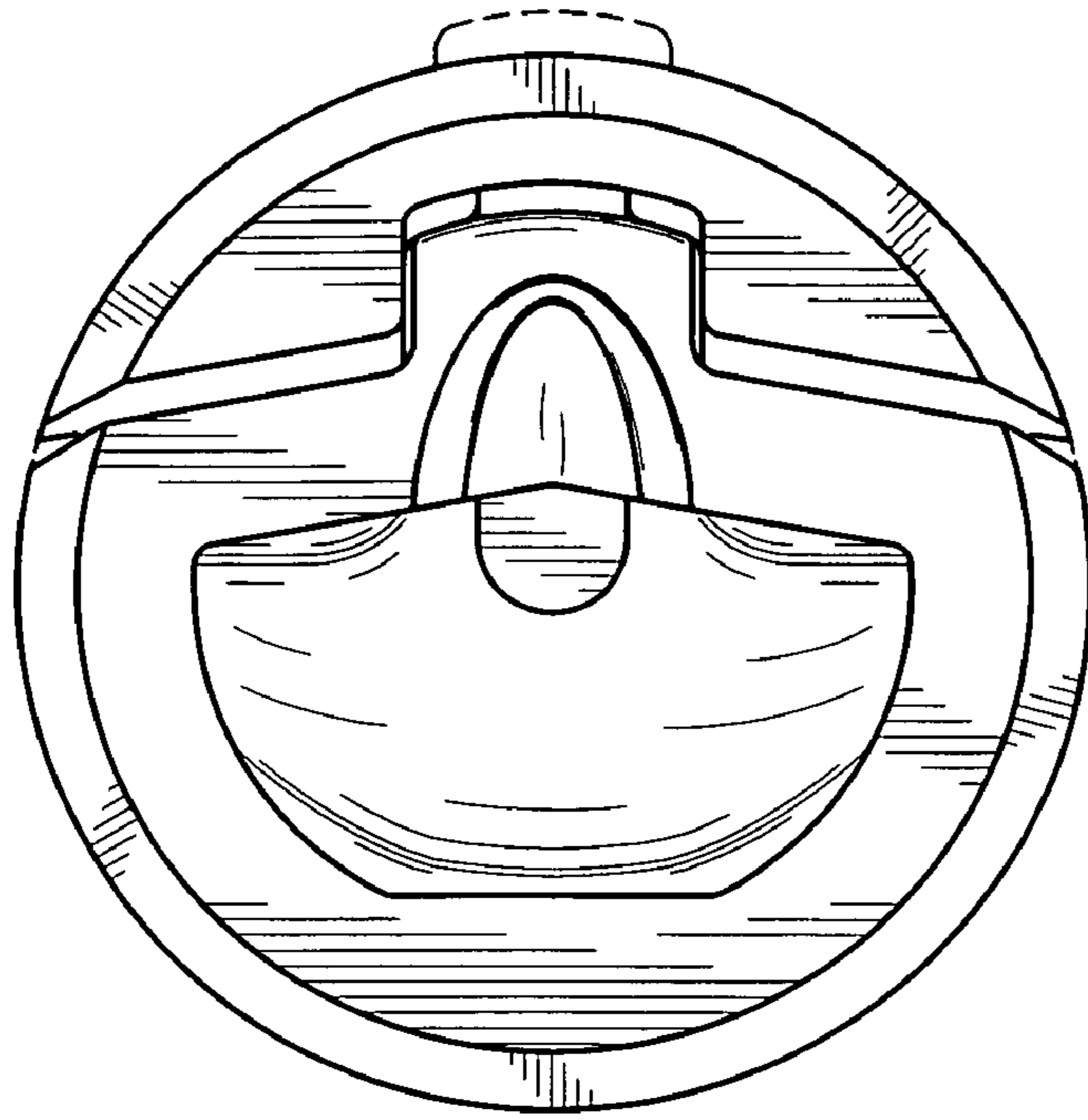


FIG. 6

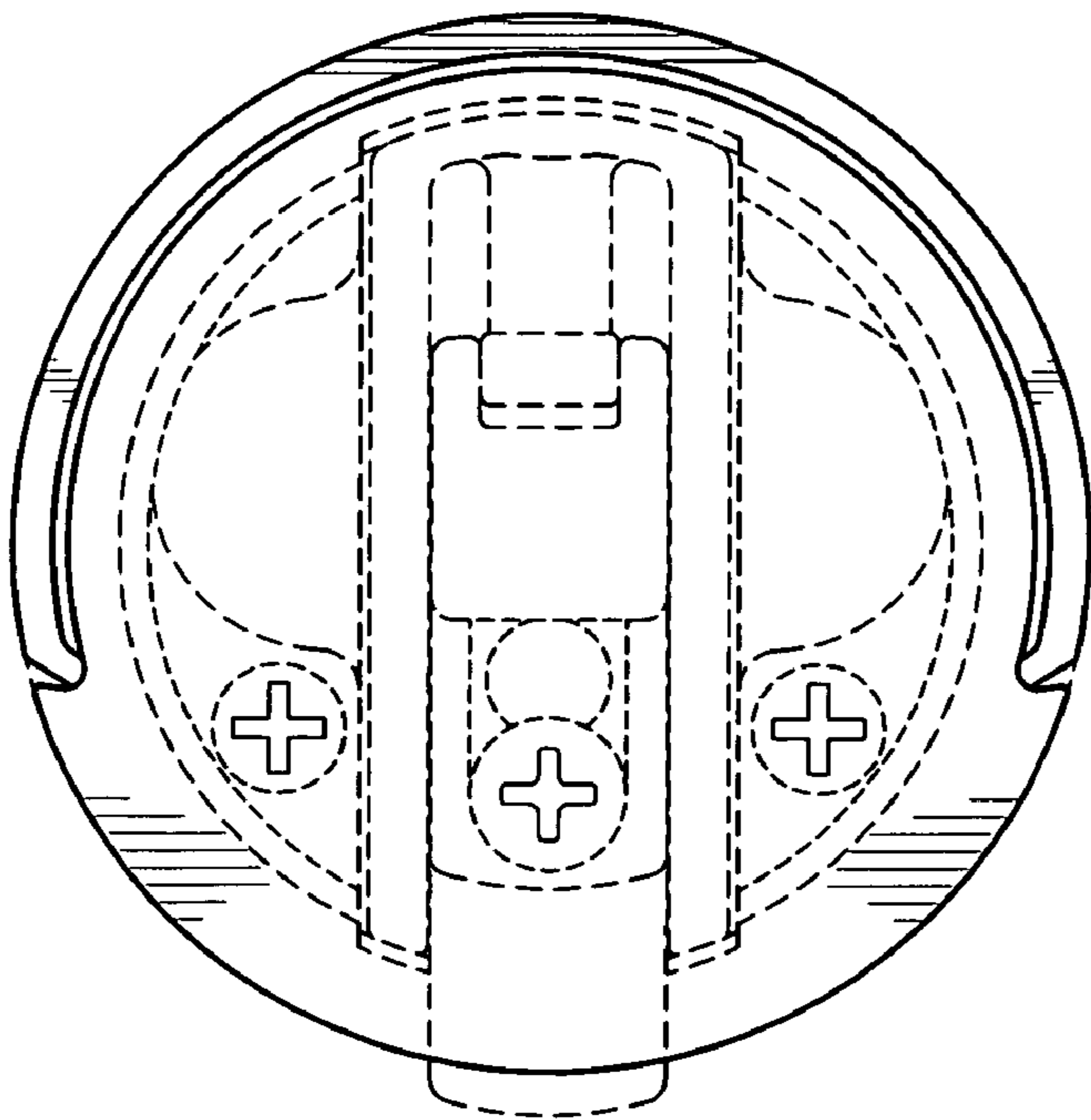


FIG. 7



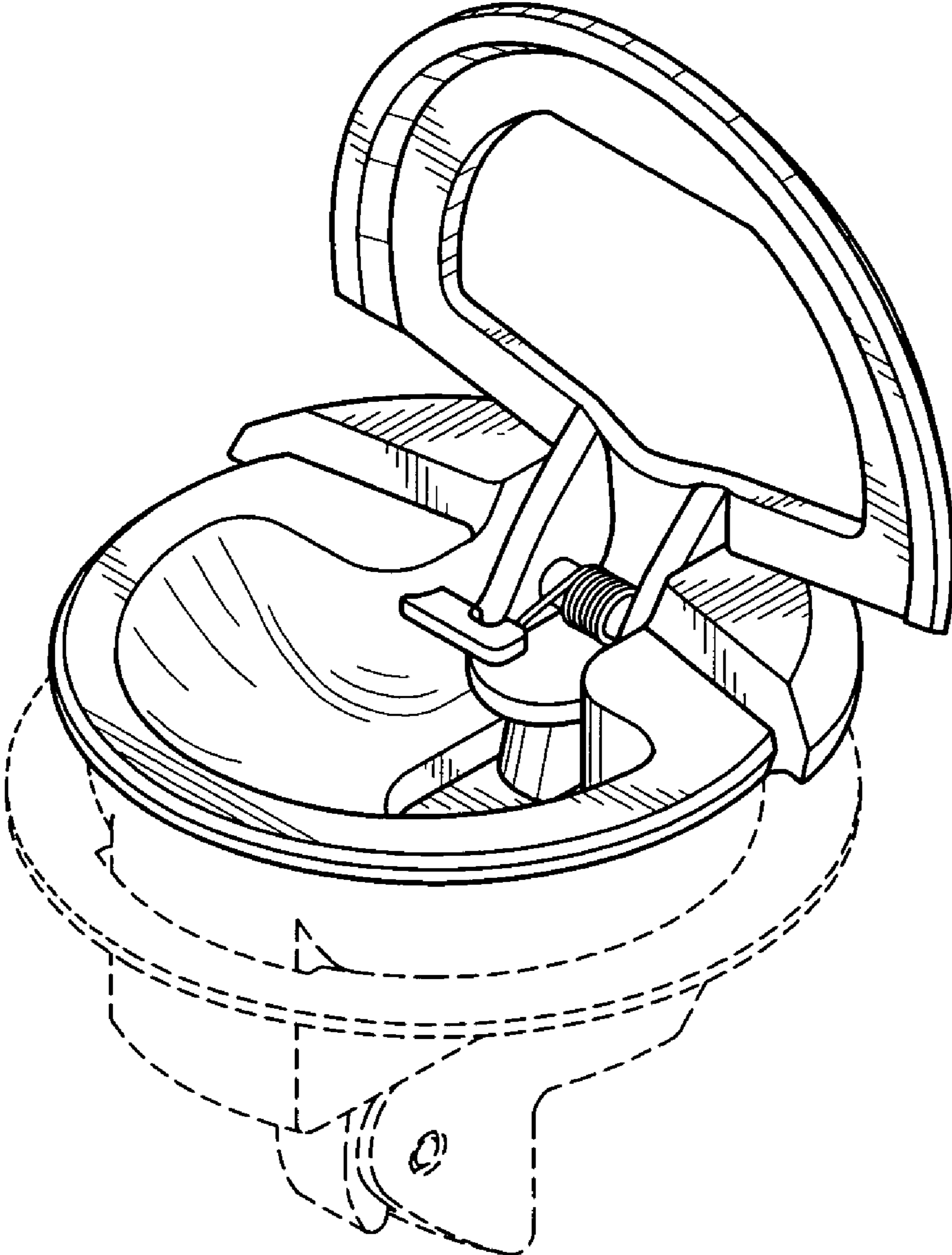


FIG. 8