



US00D678746S

(12) **United States Design Patent**
Kirby

(10) **Patent No.:** **US D678,746 S**
(45) **Date of Patent:** **** Mar. 26, 2013**

(54) **HOPPER MATE FOR DRYWALL TEXTURING GUN**

(76) Inventor: **Daniel Kirby**, Corona, CA (US)

(**) Term: **14 Years**

(21) Appl. No.: **29/403,613**

(22) Filed: **Oct. 7, 2011**

(51) **LOC (9) Cl.** **08-05**

(52) **U.S. Cl.** **D8/71**

(58) **Field of Classification Search** D8/71;
248/98, 128, 129, 146, 153, 907; 280/47.5,
280/400, 404; 211/70.6, 70.7; D6/400, 552

See application file for complete search history.

(56) **References Cited**

U.S. PATENT DOCUMENTS

725,721	A *	4/1903	Kenney	248/97
D224,137	S *	7/1972	Steffen	D7/619.1
4,749,158	A *	6/1988	Buckley	248/98
5,048,778	A *	9/1991	Wright	248/98
D334,492	S *	4/1993	Morello	D6/462
5,996,947	A *	12/1999	Palmieri, III	248/146
6,085,647	A *	7/2000	Burow	100/295
6,155,522	A *	12/2000	Anderson	248/99
D440,477	S *	4/2001	Pappas	D8/71
6,494,420	B2 *	12/2002	Lucero	248/129
6,695,267	B2 *	2/2004	Liao	248/175
7,040,584	B2 *	5/2006	Welland et al.	248/146
2012/0187258	A1 *	7/2012	Testaverde	248/146

OTHER PUBLICATIONS

Testaverde Brands. Mudhorse (Dry Wall Tool Holder, Texture Hopper Gun Stand). Apr. 28, 2011 [online], [retrieved on Oct. 15, 2012]. Retrieved from the Internet <URL: <http://shop.mudhorse.com/Mudhorse-Dry-Wall-Tool-Holder-Texture-Hopper-Gun-Stand-1000001.htm>>.*

* cited by examiner

Primary Examiner — Philip S Hyder

Assistant Examiner — Darlington Ly

(74) *Attorney, Agent, or Firm* — Kirk A. Buhler; Buhler & Associates

(57) **CLAIM**

The ornamental design for a hopper mate for drywall texturing gun, as shown and described.

DESCRIPTION

FIG. 1 is a top perspective view for a hopper mate for a drywall texturing gun showing my new design;

FIG. 2 is a rear view thereof;

FIG. 3 is a front view thereof;

FIG. 4 is a bottom plan view thereof;

FIG. 5 is a top plan view thereof;

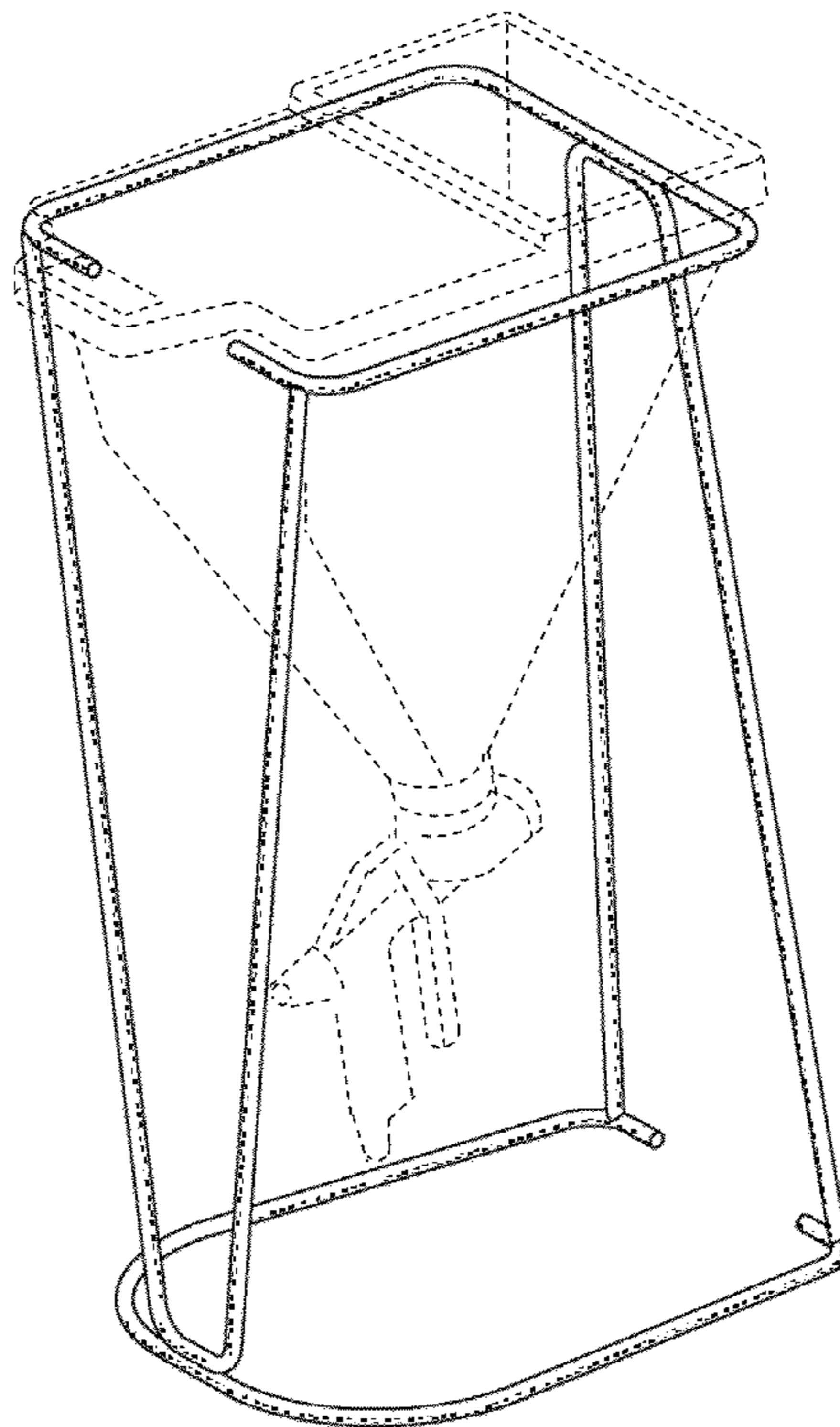
FIG. 6 is a left side view thereof;

FIG. 7 is a right side view thereof; and,

FIG. 8 is a bottom perspective view thereof.

The broken lines in FIG. 1 depict environmental subject matter of a drywall texturing gun and is shown for the convenience of illustration only and form no part of the claimed design.

1 Claim, 5 Drawing Sheets



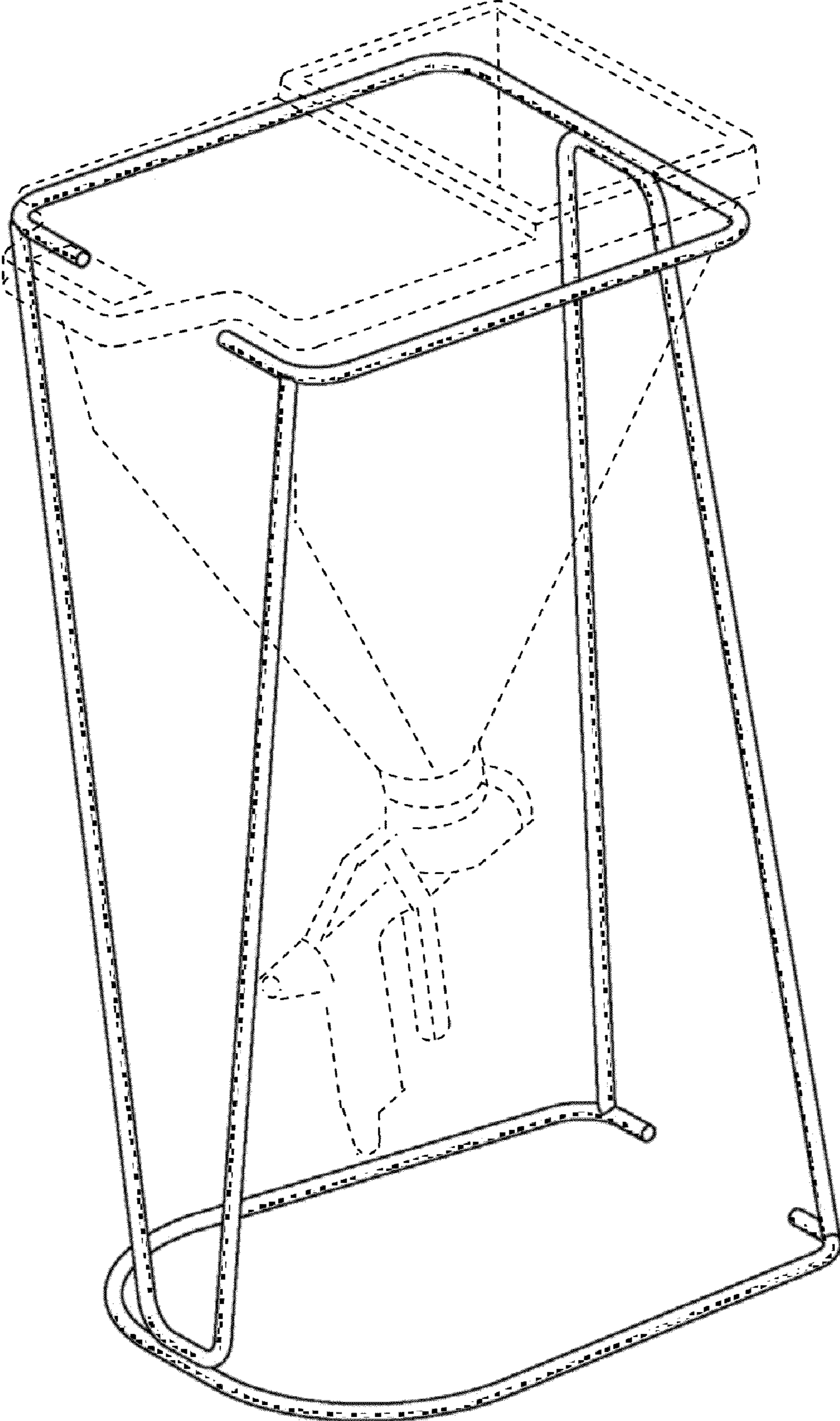


FIG. 1

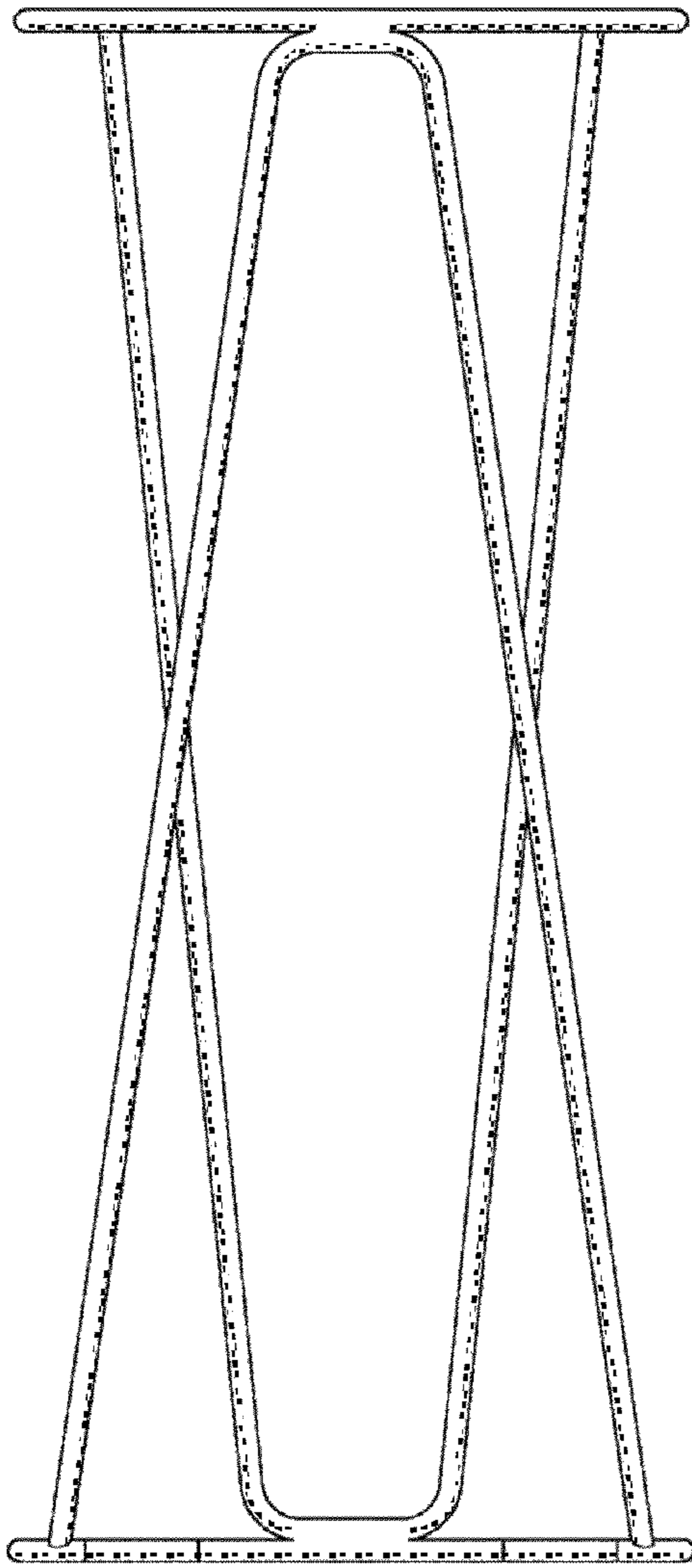


FIG. 2

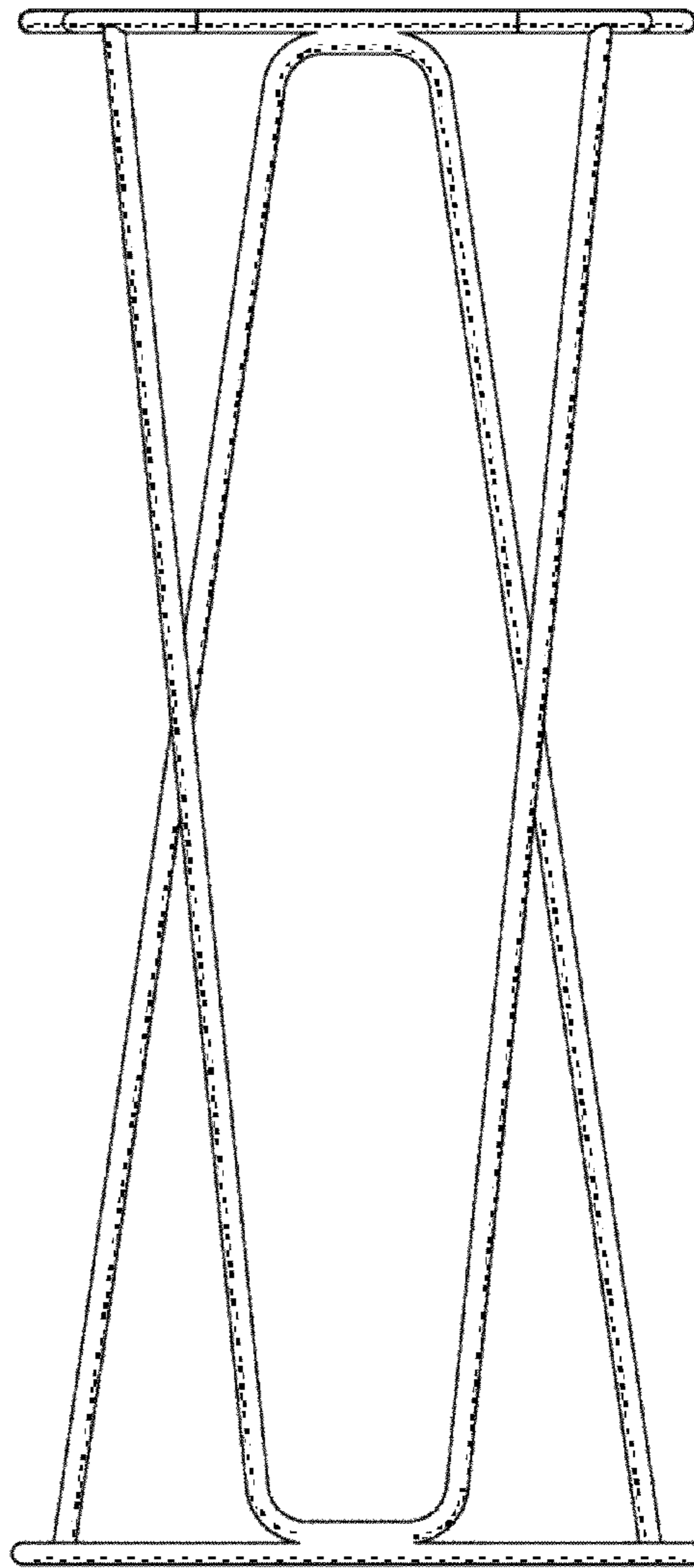


FIG. 3

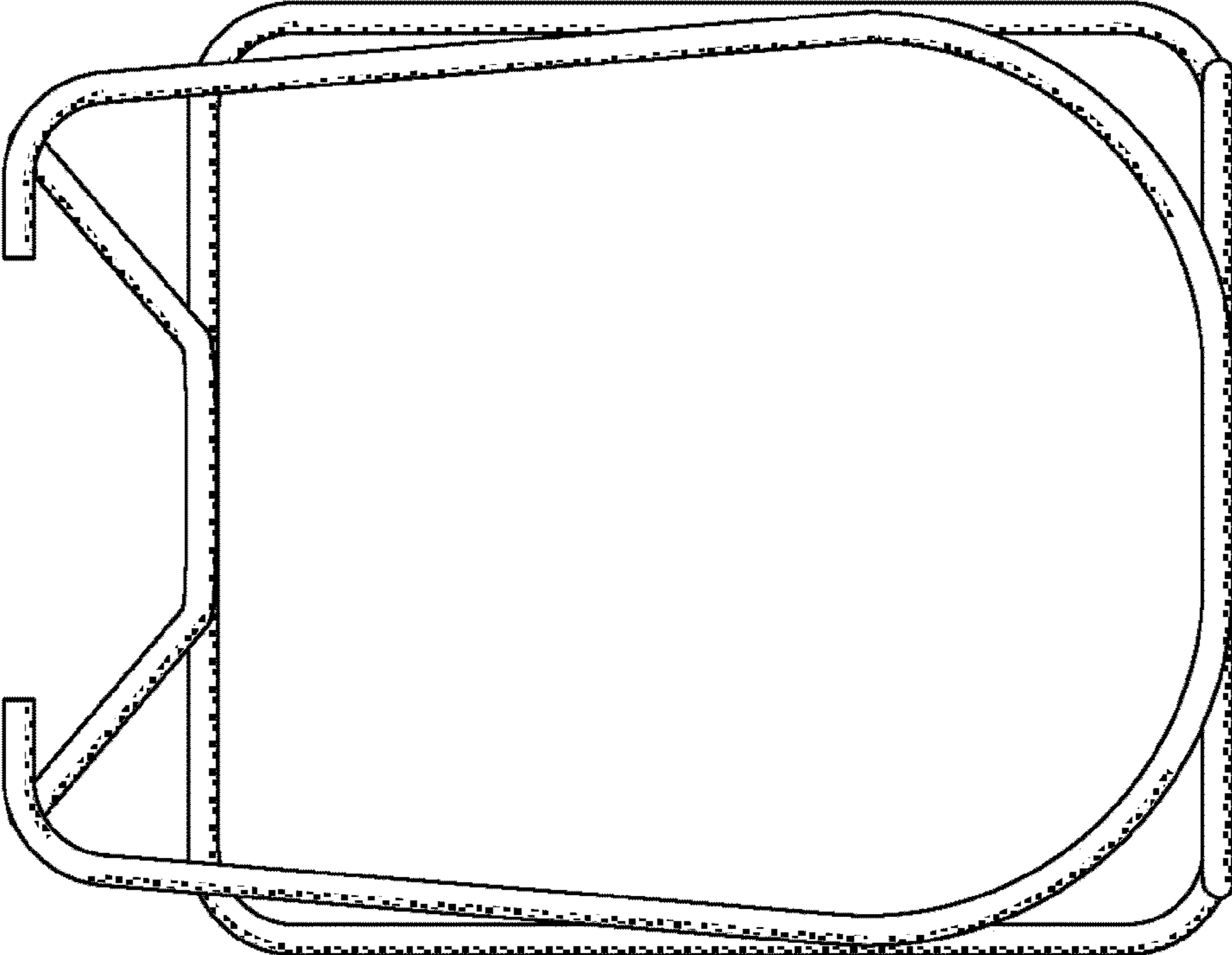


FIG. 4

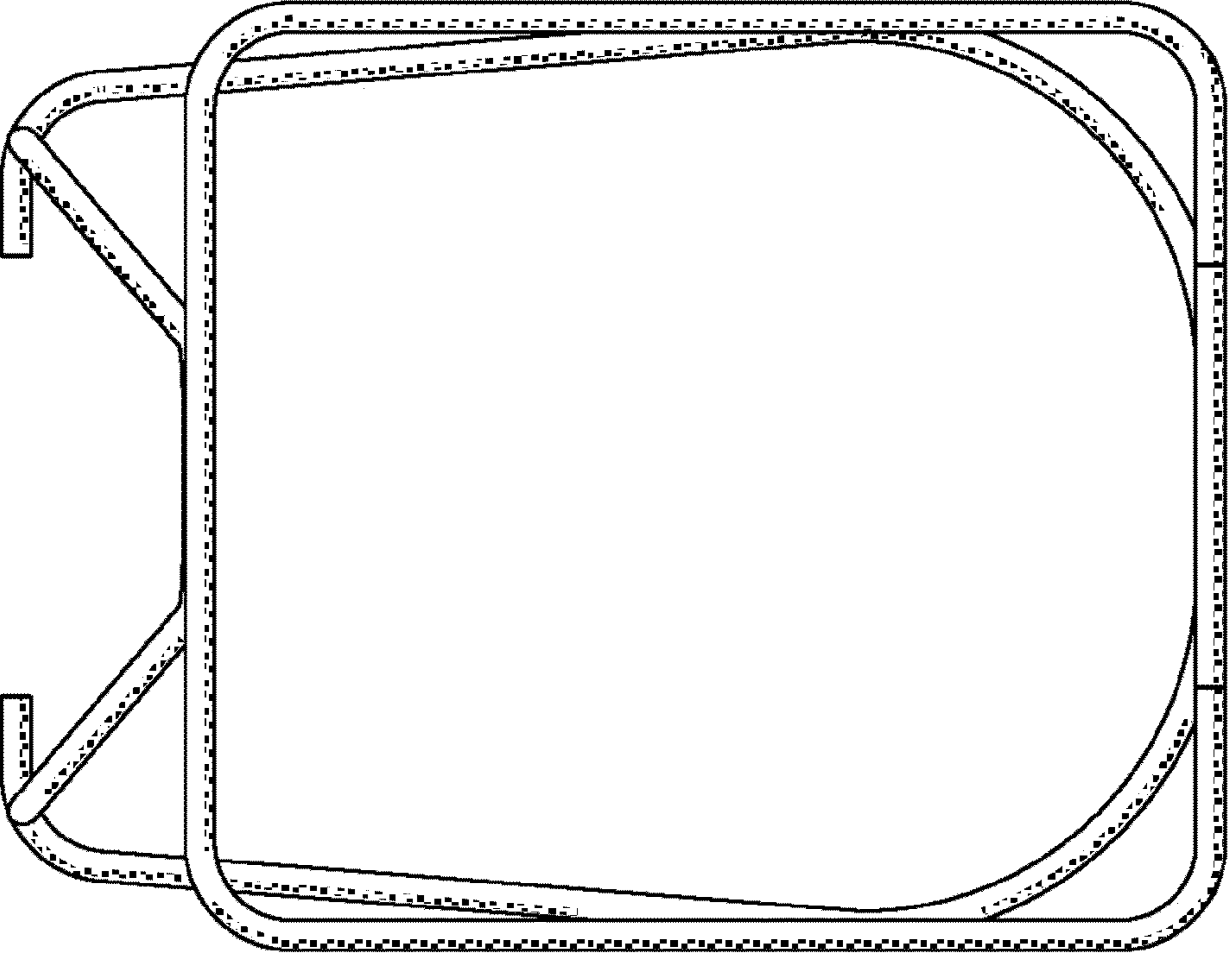


FIG. 5

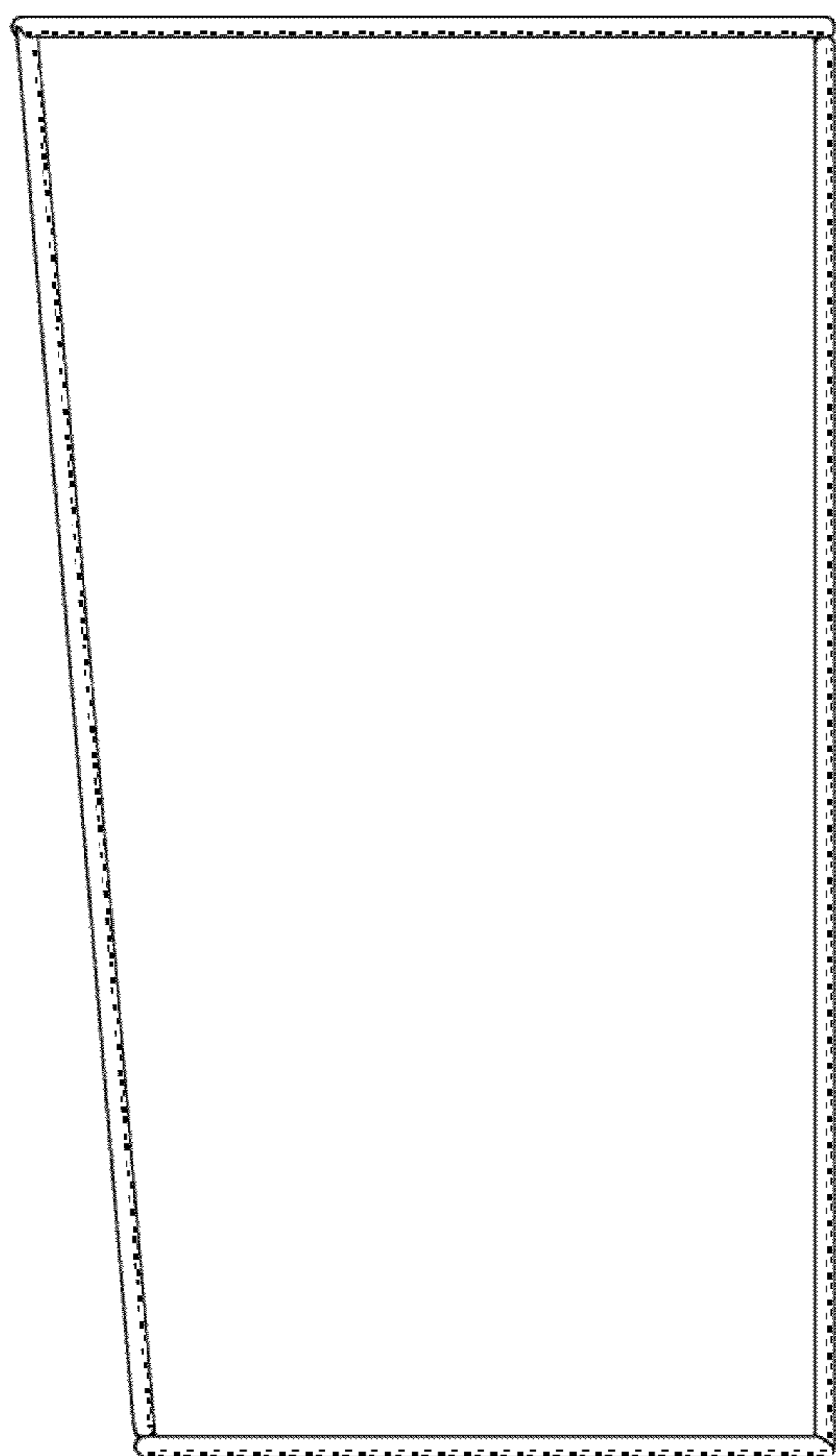


FIG. 6

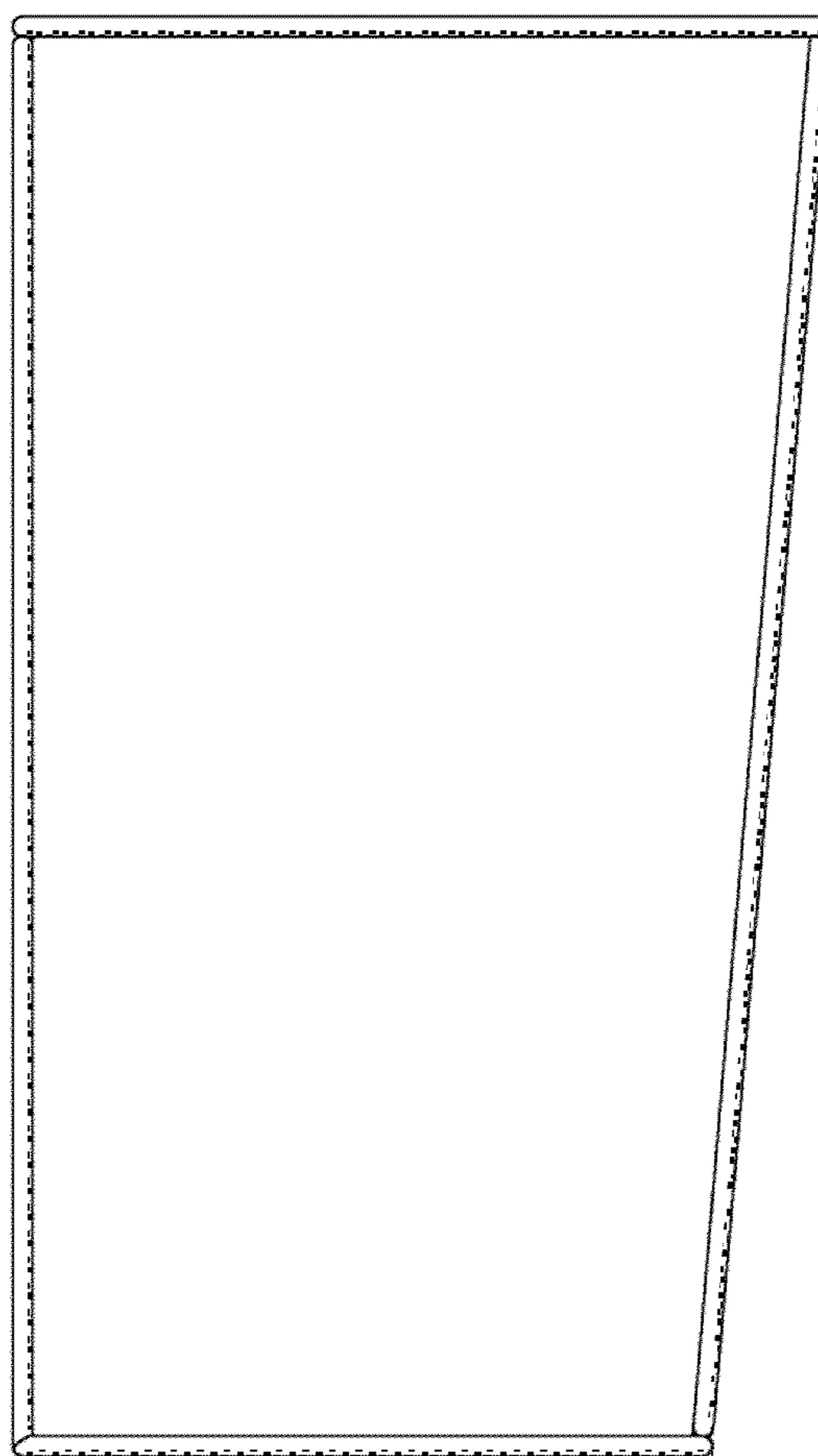


FIG. 7

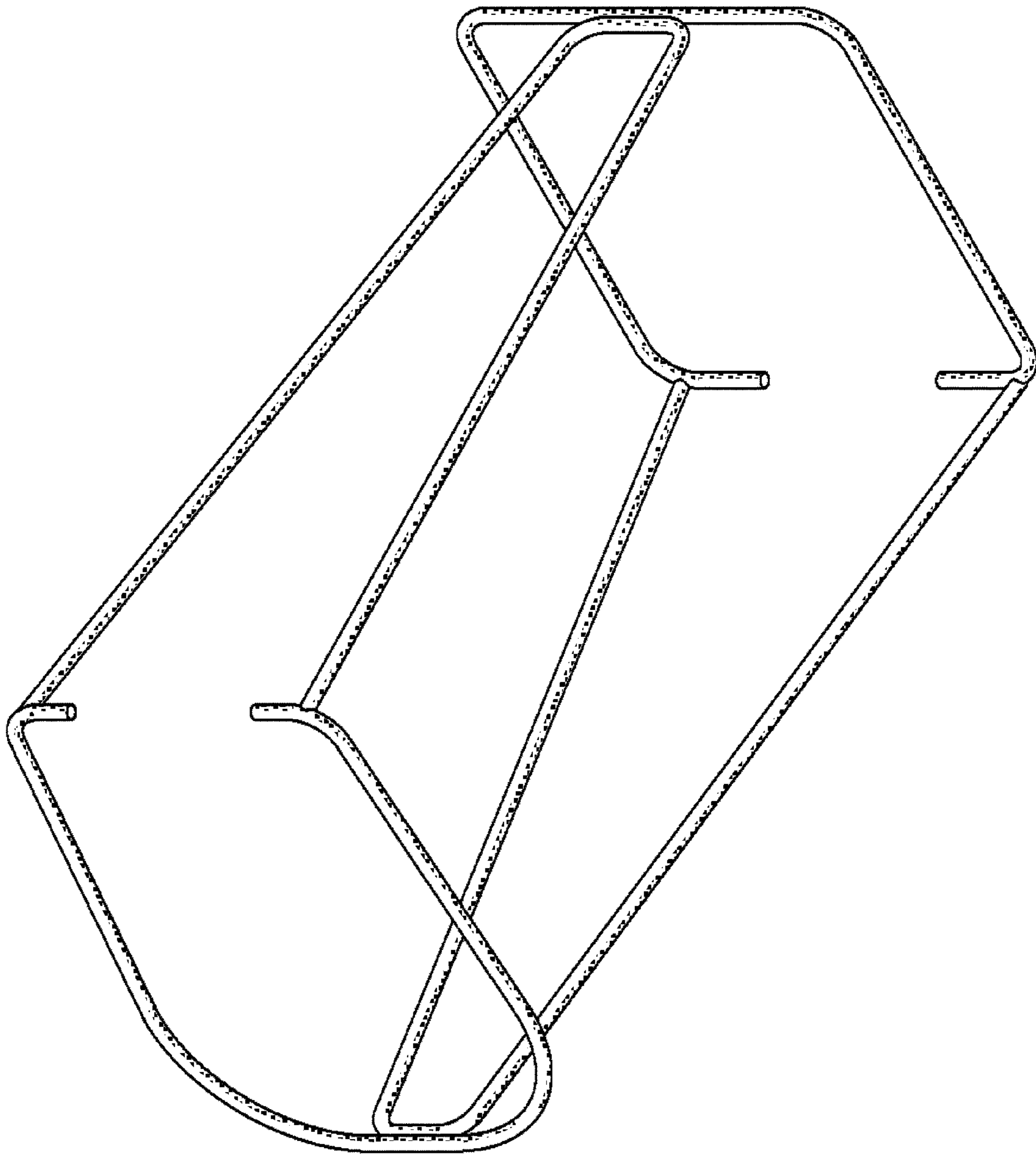


FIG. 8