



US00D678744S

(12) **United States Design Patent**
Aoki et al.

(10) **Patent No.:** **US D678,744 S**
(45) **Date of Patent:** **** Mar. 26, 2013**

(54) **PORTABLE ELECTRIC DRIVER**
(75) Inventors: **Yoshiki Aoki**, Hitachinaka (JP);
Masanori Okada, Hitachinaka (JP);
Takeshi Takeda, Hitachinaka (JP)

(73) Assignee: **Hitachi Koki Co., Ltd.**, Tokyo (JP)

(**) Term: **14 Years**

(21) Appl. No.: **29/419,132**

(22) Filed: **Apr. 25, 2012**

(30) **Foreign Application Priority Data**

Oct. 26, 2011 (JP) D2011-024608

(51) **LOC (9) Cl.** **08-03**

(52) **U.S. Cl.** **D8/68**

(58) **Field of Classification Search** D8/61,
D8/67, 68; 81/57.4, 489; 173/48, 109, 170,
173/178, 217; 408/124, 125; 362/119; 475/149
See application file for complete search history.

(56) **References Cited**

U.S. PATENT DOCUMENTS

D519,808 S *	5/2006	Otsuka et al.	D8/68
D525,505 S *	7/2006	Ito et al.	D8/68
D605,014 S *	12/2009	Yamamoto	D8/68
D618,975 S *	7/2010	Yamamoto	D8/68
D644,495 S *	9/2011	Misaki et al.	D8/68
8,113,297 B2 *	2/2012	Sakakibara et al.	173/170

8,210,273 B2 *	7/2012	Suzuki et al.	173/2
2002/0054798 A1 *	5/2002	Dils et al.	408/124
2009/0302554 A1 *	12/2009	Thiel	279/62
2010/0084150 A1 *	4/2010	Suzuki et al.	173/2
2012/0048587 A1 *	3/2012	Umemura et al.	173/217
2012/0100405 A1 *	4/2012	Noda et al.	429/92
2012/0162840 A1 *	6/2012	Noda	361/78

FOREIGN PATENT DOCUMENTS

DE	10304656 A1 *	8/2004
JP	2008036753 A *	2/2008

* cited by examiner

Primary Examiner — Philip S Hyder

Assistant Examiner — Darlington Ly

(74) *Attorney, Agent, or Firm* — Sughrue Mion, PLLC

(57) **CLAIM**

The ornamental design for portable electric driver, as shown and described.

DESCRIPTION

FIG. 1 is a front perspective view of the portable electric driver showing our new design;

FIG. 2 is a front view thereof;

FIG. 3 is a rear view thereof;

FIG. 4 is a left side view thereof;

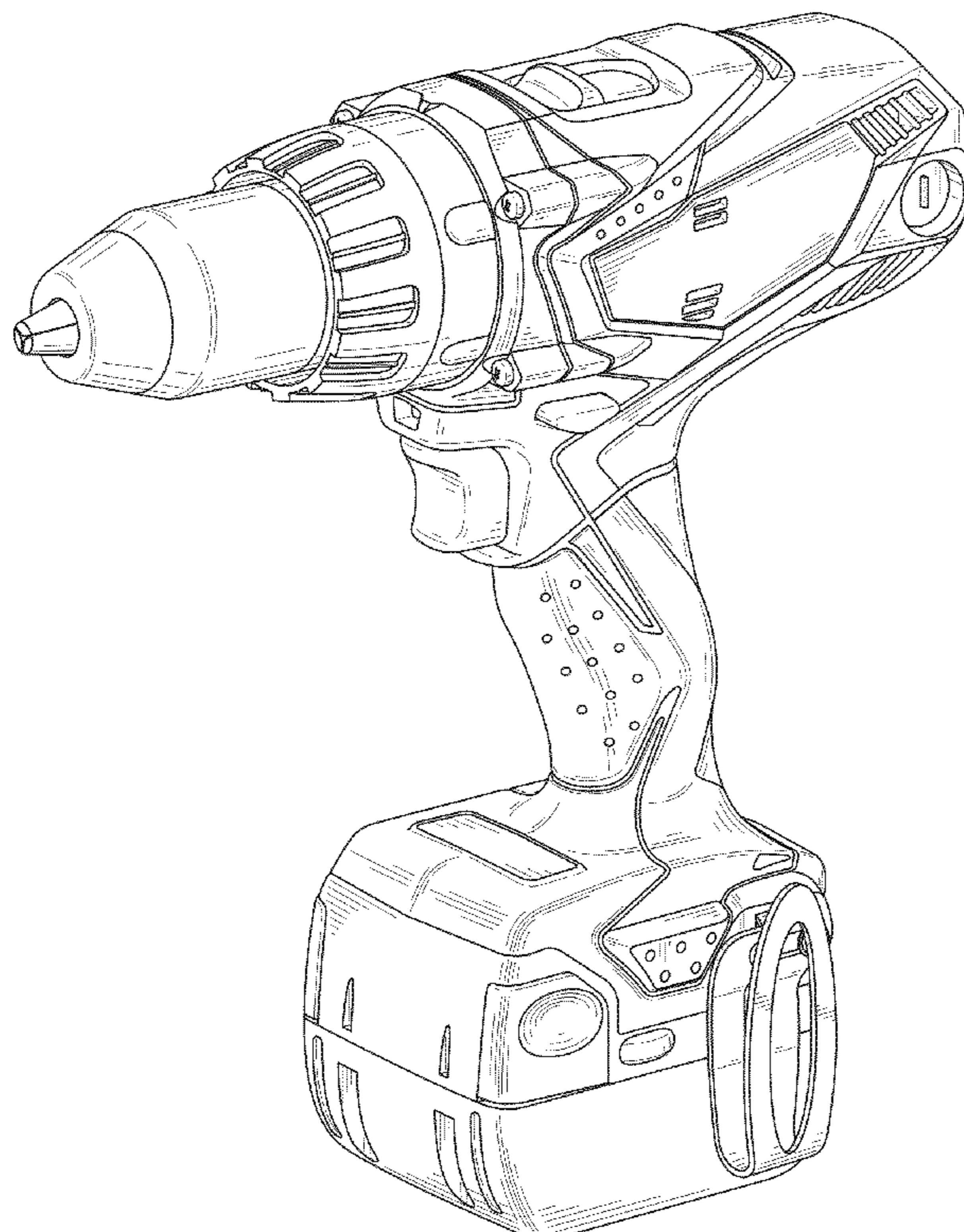
FIG. 5 is a right side view thereof;

FIG. 6 is a top plan view thereof; and,

FIG. 7 is a bottom view thereof.

The broken lines represent the portions of the design that form no part of the claim.

1 Claim, 5 Drawing Sheets



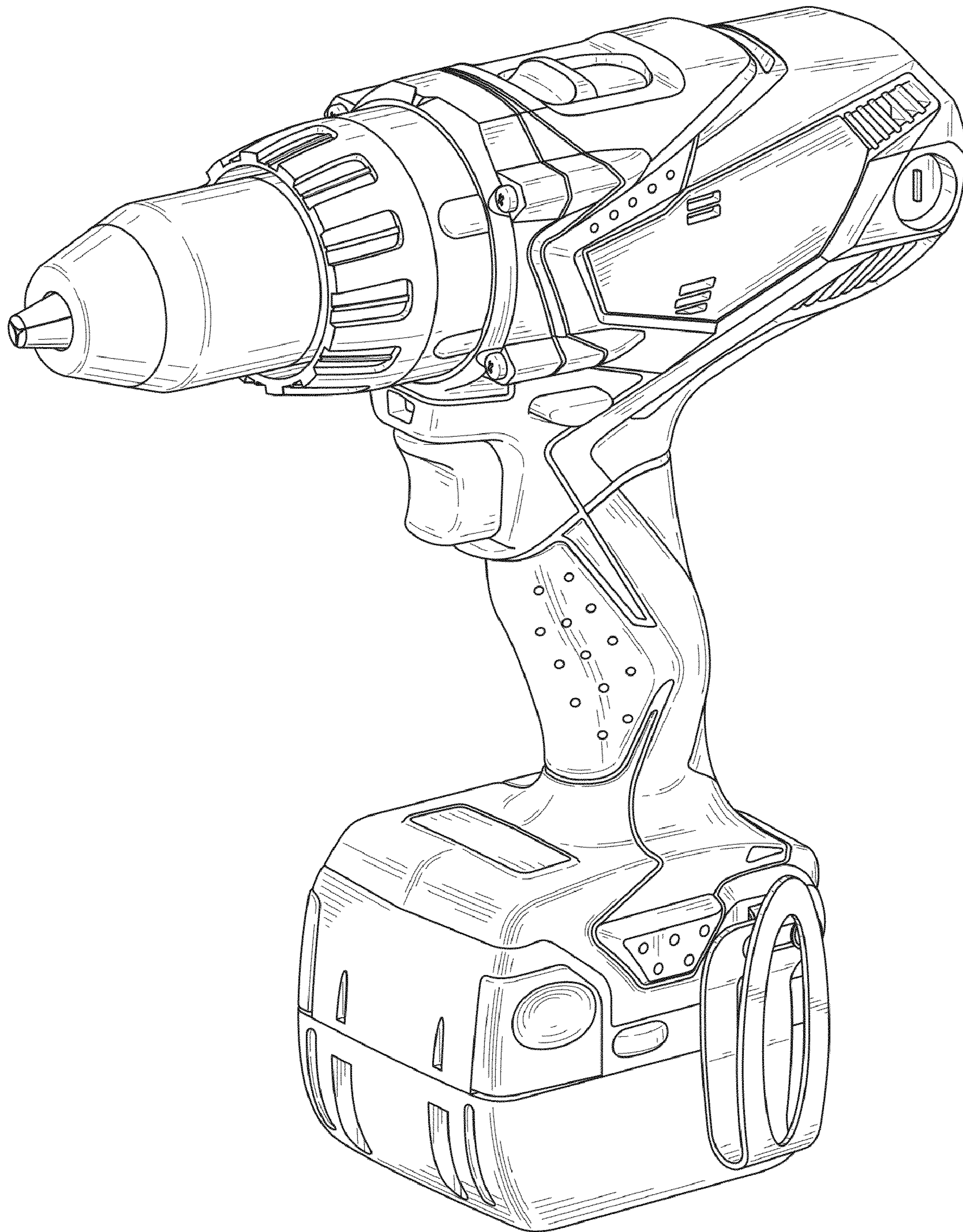


FIG. 1

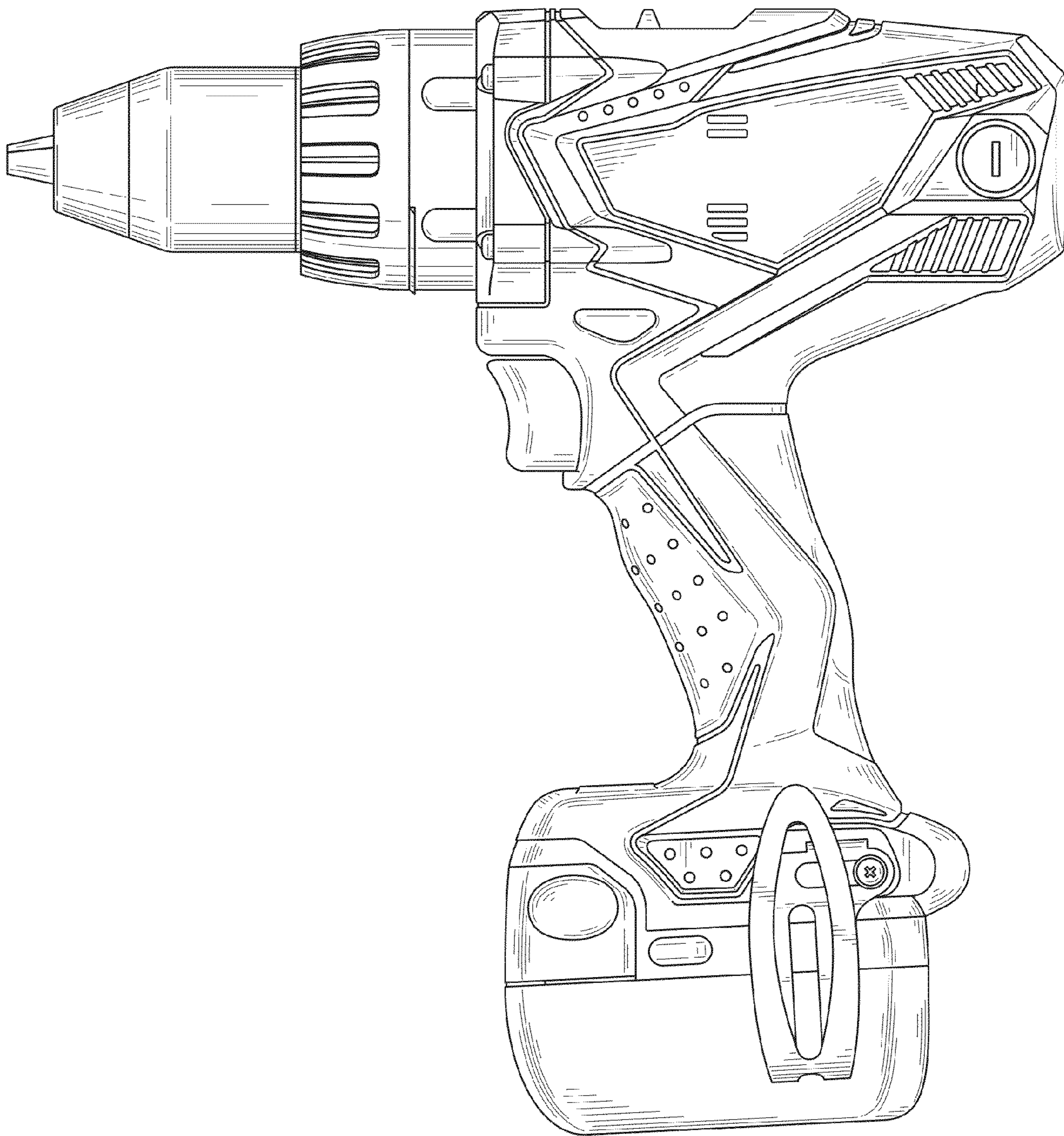


FIG. 2

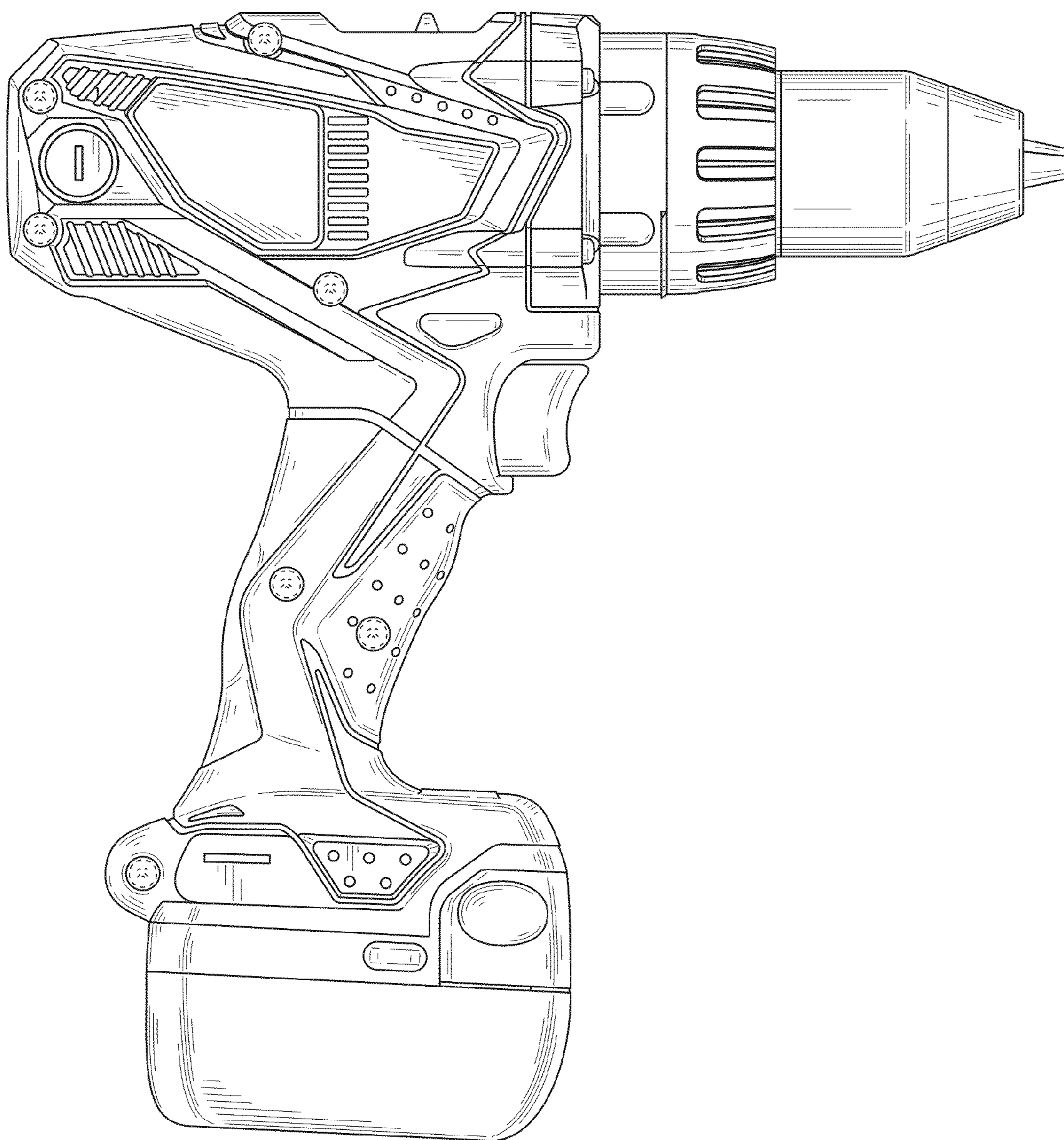


FIG. 3

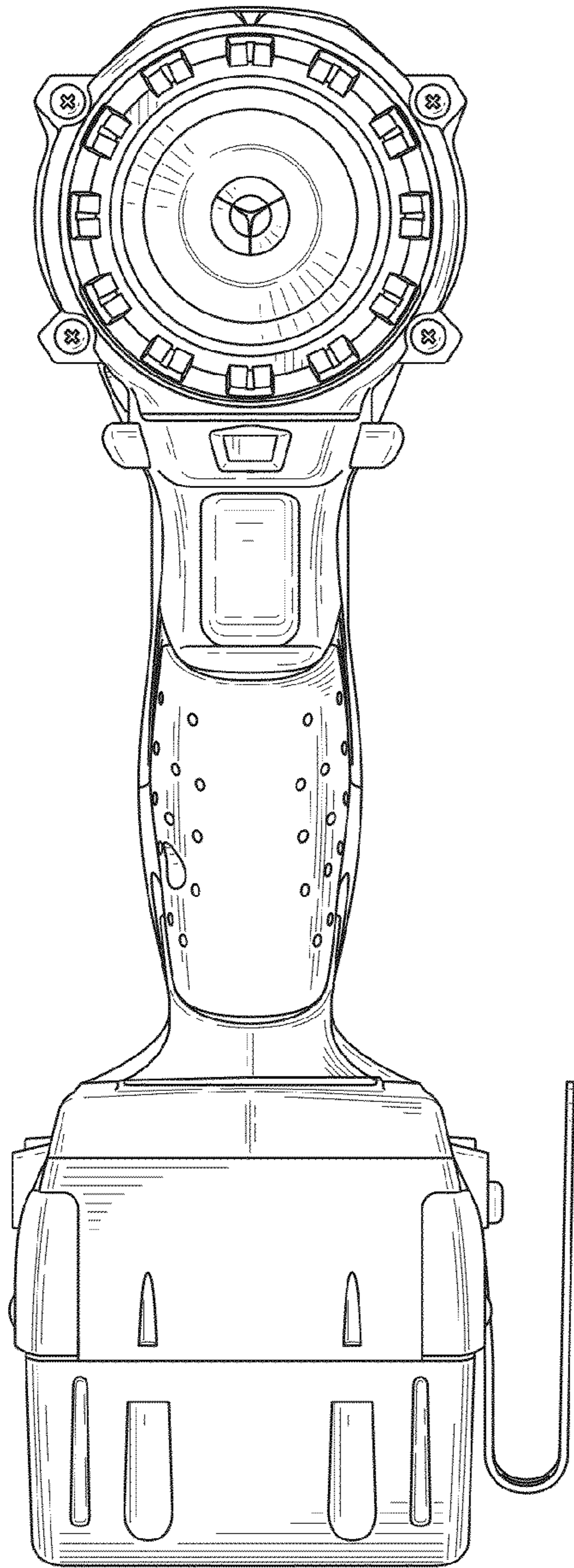


FIG. 4

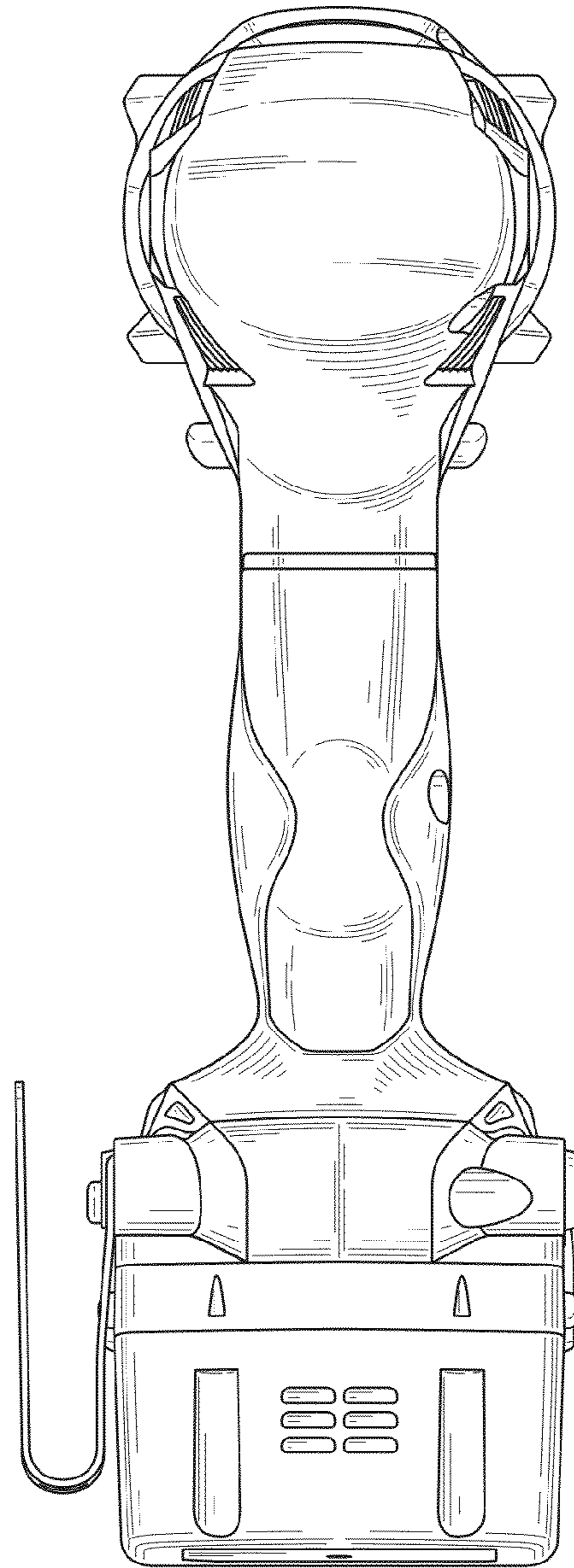


FIG. 5

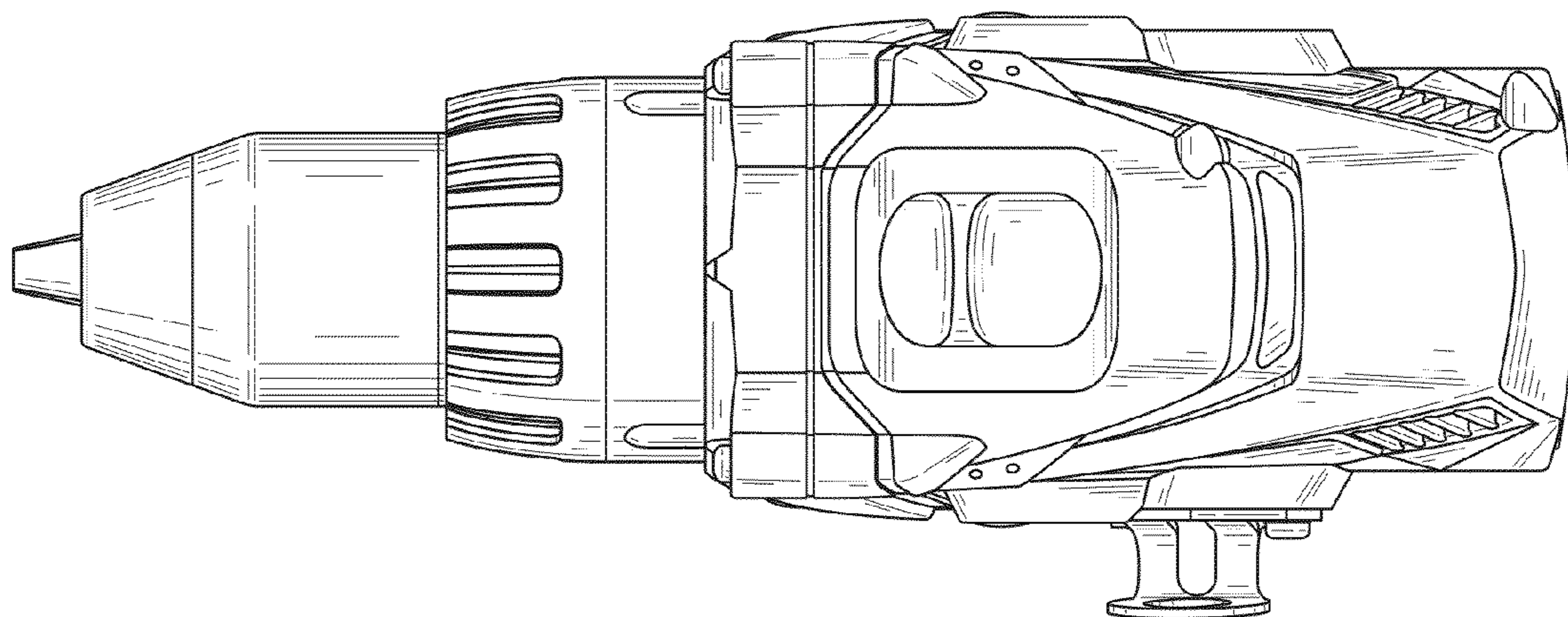


FIG. 6

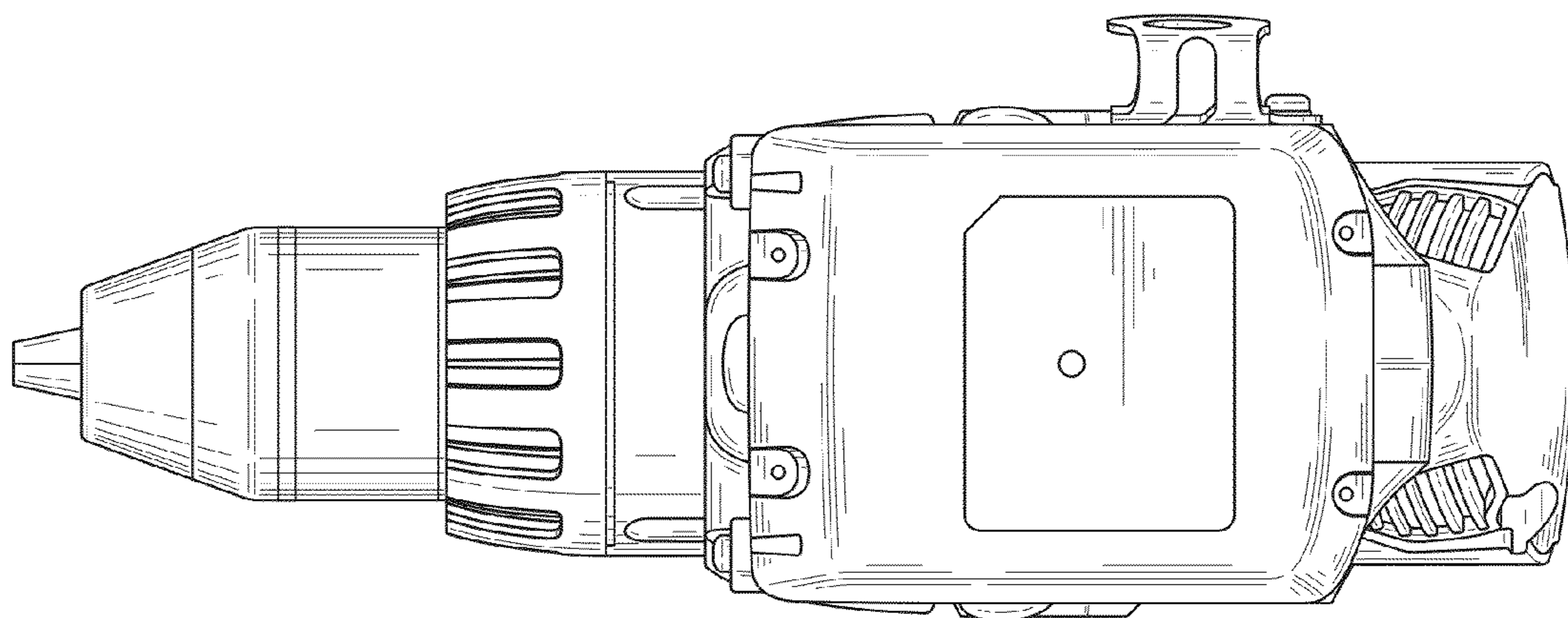


FIG. 7