



US00D678743S

(12) **United States Design Patent**  
**Tinius**

(10) **Patent No.:** **US D678,743 S**

(45) **Date of Patent:** **\*\* Mar. 26, 2013**

(54) **CHAIN GUARD**

(71) Applicant: **Michael Tinius**, Ulm (DE)

(72) Inventor: **Michael Tinius**, Ulm (DE)

(73) Assignee: **Andreas Stihl AG & Co. KG**,  
Waiblingen (DE)

(\*\*) Term: **14 Years**

(21) Appl. No.: **29/432,520**

(22) Filed: **Sep. 17, 2012**

(30) **Foreign Application Priority Data**

May 16, 2012 (EM) ..... 002042663-0002

(51) **LOC (9) Cl.** ..... **08-03**

(52) **U.S. Cl.** ..... **D8/65; D3/220**

(58) **Field of Classification Search** ..... D8/65,  
D8/7, 8, 9, 70, 66, 67, 62, 63, 64, 61, 91;  
30/386, 383, 382, 371, 123, 381; 125/21;  
D21/532; 83/832, 833, 834; 123/185.3

See application file for complete search history.

(56) **References Cited**

**U.S. PATENT DOCUMENTS**

D248,422 S \* 7/1978 Malcolm ..... D3/269

|               |        |                   |       |         |
|---------------|--------|-------------------|-------|---------|
| 4,447,953 A * | 5/1984 | Lombardino et al. | ..... | 30/382  |
| D359,849 S *  | 7/1995 | Griffin           | ..... | D3/269  |
| D443,759 S *  | 6/2001 | Bloch             | ..... | D3/220  |
| D506,797 S *  | 6/2005 | Carbonero         | ..... | D21/754 |
| D508,317 S *  | 8/2005 | Kanzawa           | ..... | D3/220  |
| D534,408 S *  | 1/2007 | Sultan            | ..... | D8/70   |
| D535,169 S *  | 1/2007 | Sultan            | ..... | D8/70   |
| D535,538 S *  | 1/2007 | Sultan            | ..... | D8/70   |
| D538,620 S *  | 3/2007 | Sultan            | ..... | D8/70   |
| D661,169 S *  | 6/2012 | Tinius            | ..... | D8/65   |

\* cited by examiner

*Primary Examiner* — Austin Murphy

(74) *Attorney, Agent, or Firm* — McGuireWoods LLP

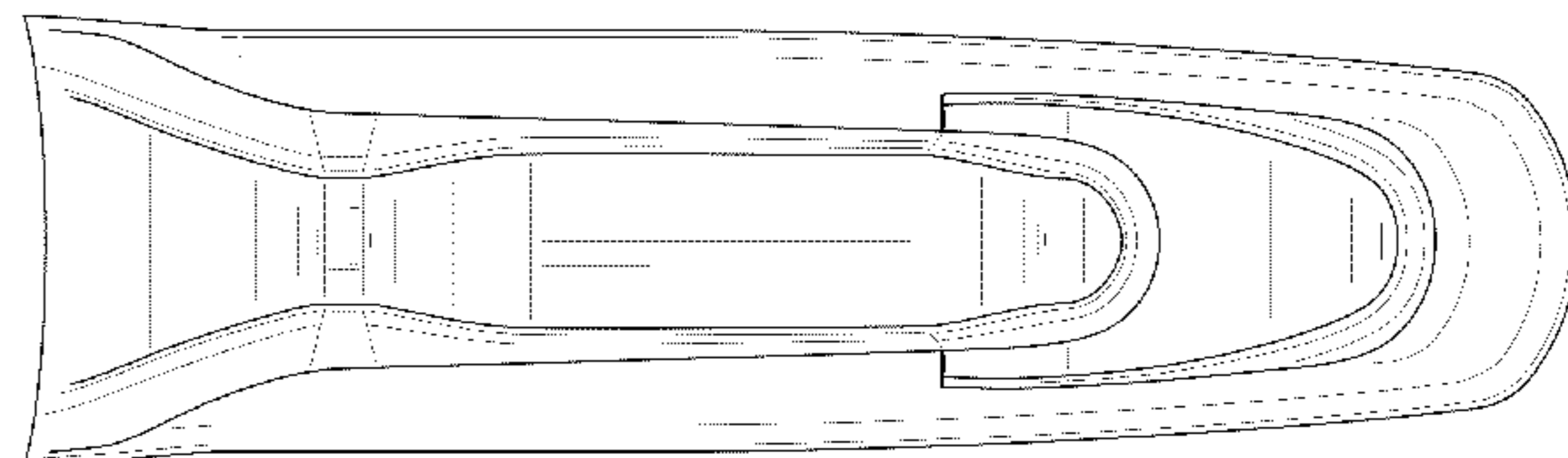
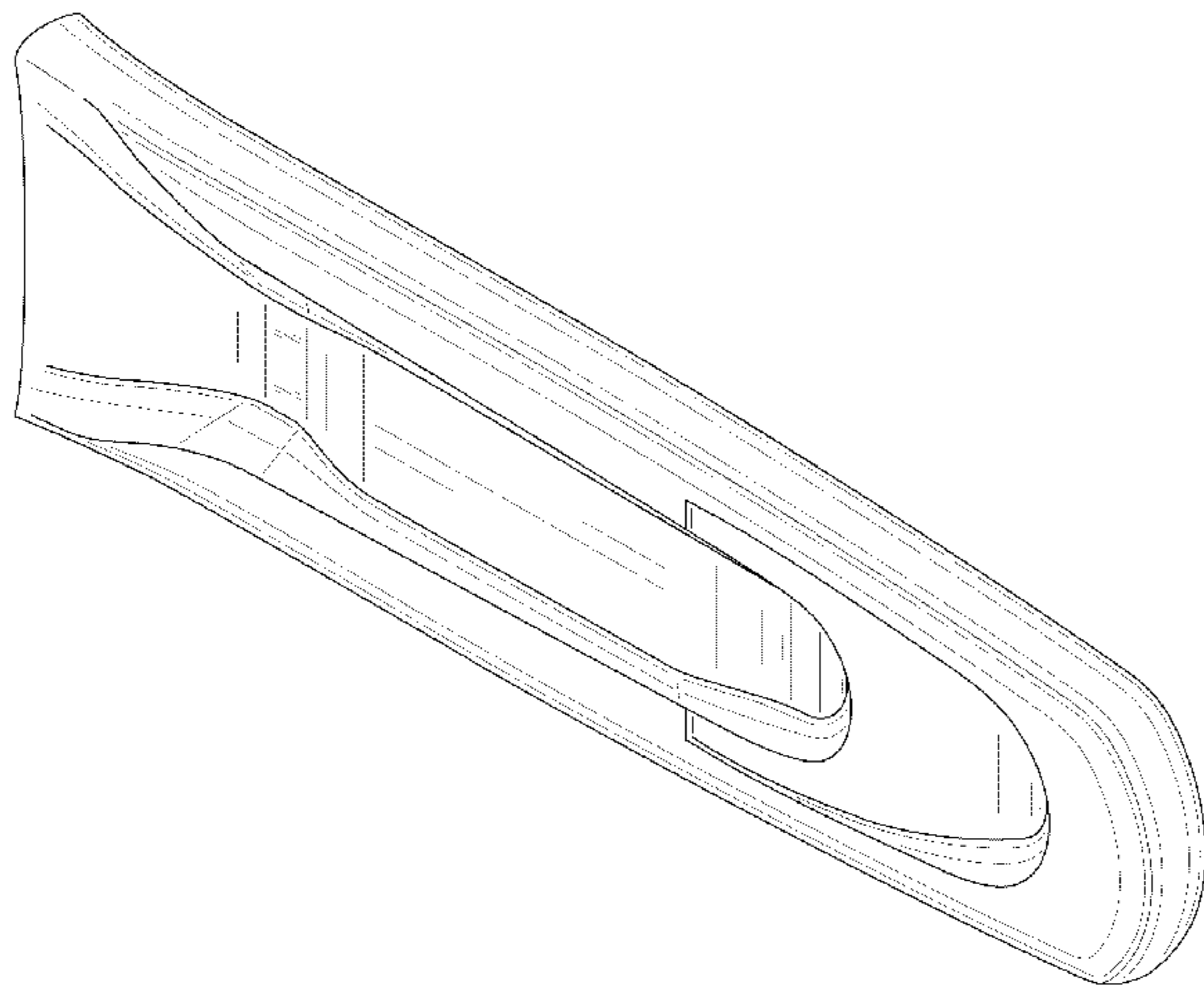
(57) **CLAIM**

I claim the ornamental design for a chain guard, as shown and described.

**DESCRIPTION**

FIG. 1 is a left perspective view of the chain guard;  
FIG. 2 is a left side view of the chain guard shown in FIG. 1;  
FIG. 3 is a right side view of the chain guard shown in FIG. 1;  
FIG. 4 is a rear view of the chain guard shown in FIG. 1;  
FIG. 5 is a front view of the chain guard shown in FIG. 1;  
FIG. 6 is a top view of the chain guard shown in FIG. 1; and,  
FIG. 7 is a bottom view of the chain guard shown in FIG. 1.

**1 Claim, 5 Drawing Sheets**



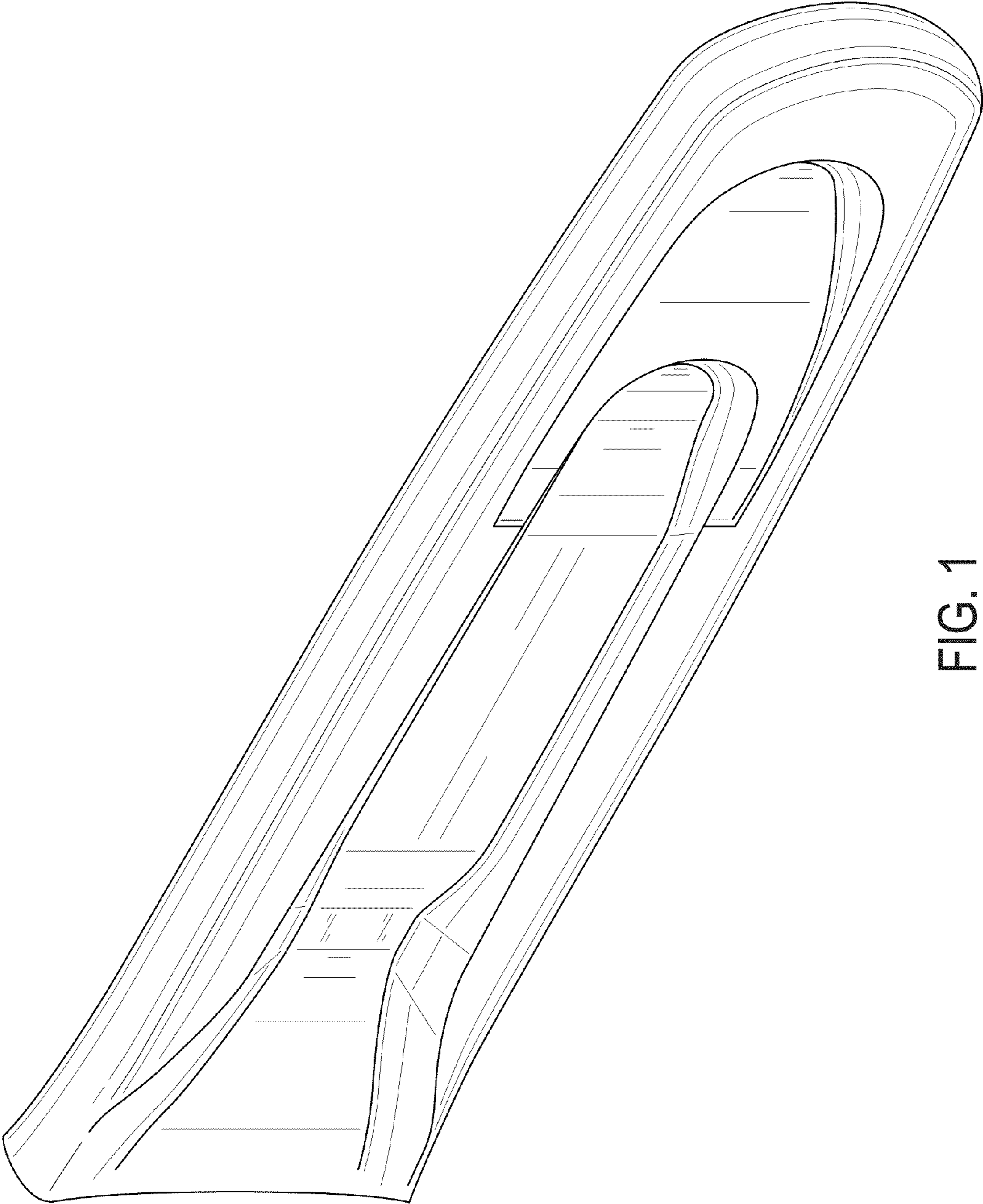


FIG. 1

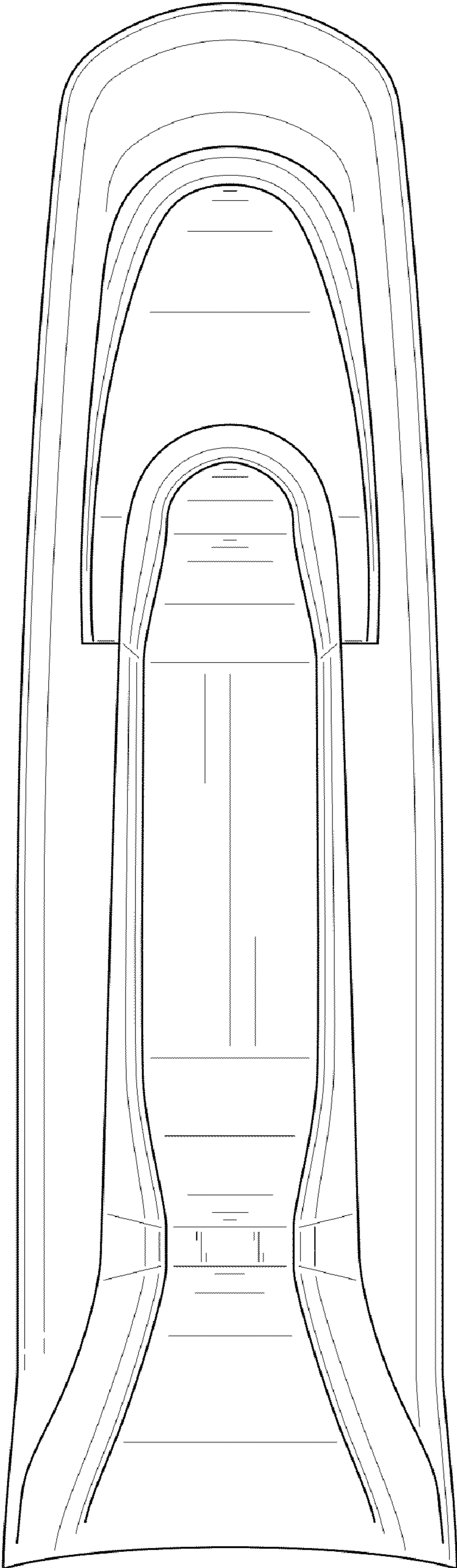


FIG. 2

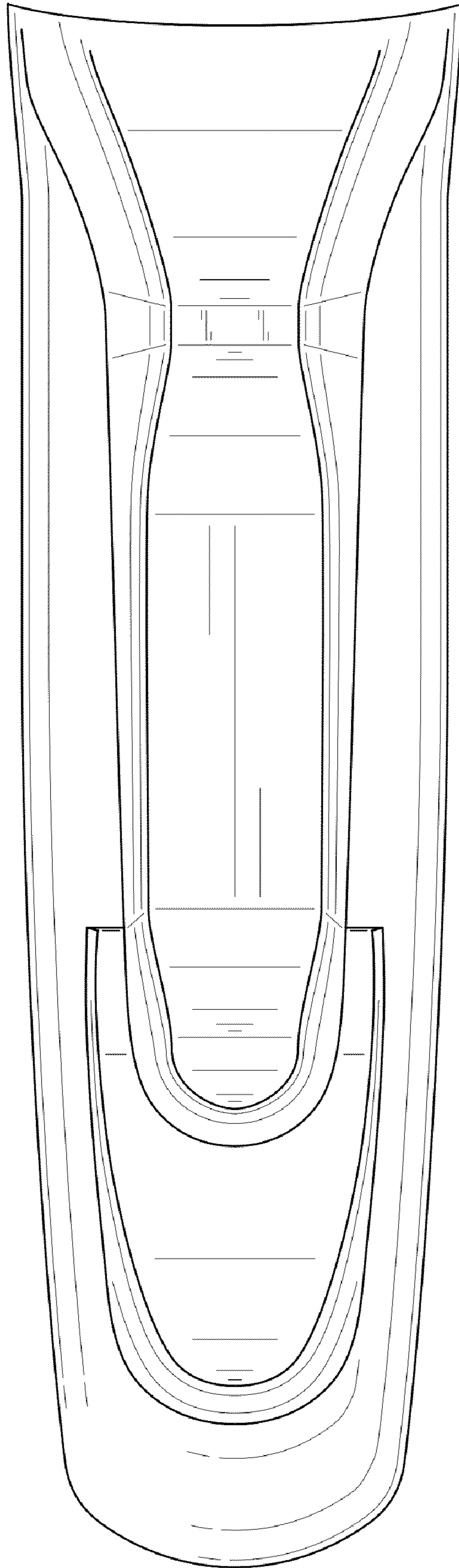


FIG. 3

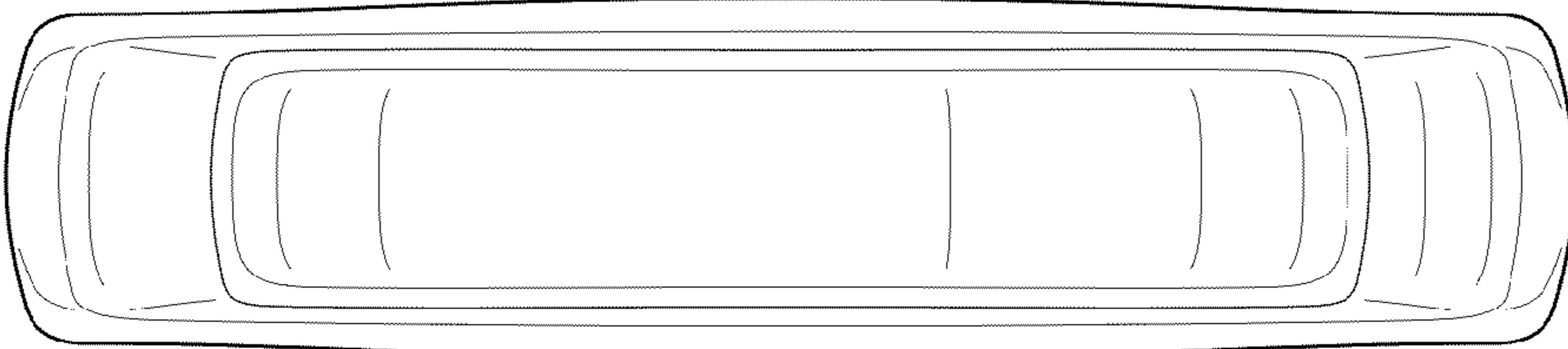


FIG. 5

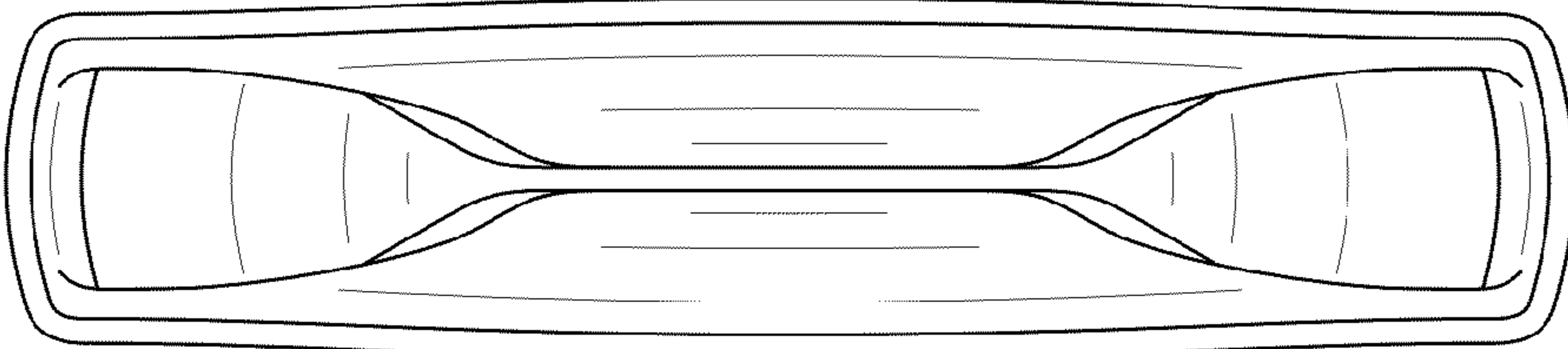


FIG. 4

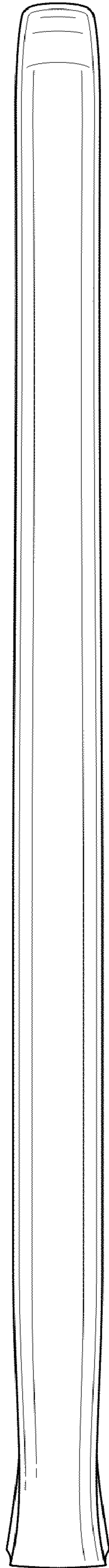


FIG. 6

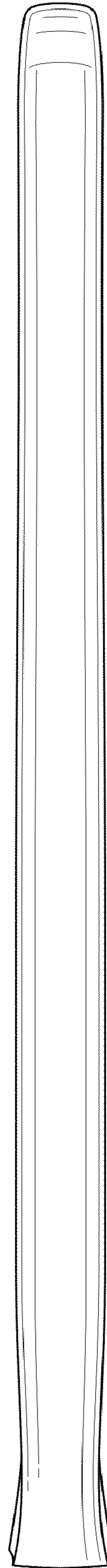


FIG. 7