



US00D678739S

(12) **United States Design Patent**
Wei

(10) **Patent No.:** **US D678,739 S**
(45) **Date of Patent:** **** Mar. 26, 2013**

- (54) **SWINGABLE RATCHET WHEEL**
- (76) Inventor: **Hung-Yin Wei**, Taichung (TW)
- (**) Term: **14 Years**
- (21) Appl. No.: **29/423,497**
- (22) Filed: **Jun. 1, 2012**

D498,775	S	*	11/2004	Hu	D15/148
D498,778	S	*	11/2004	Hu	D15/148
7,032,478	B2	*	4/2006	Hu	81/63.2
7,044,029	B1	*	5/2006	Hopper et al.	81/63.2
7,178,429	B2	*	2/2007	Lin	81/60
D558,006	S	*	12/2007	Tuan Mu	D8/21
2004/0123701	A1	*	7/2004	Hsien	81/60

* cited by examiner

Primary Examiner — Raphael Barkai
Assistant Examiner — Randall Gholson
 (74) *Attorney, Agent, or Firm* — Rosenberg, Klein & Lee

Related U.S. Application Data

- (63) Continuation-in-part of application No. 29/411,506, filed on Jan. 23, 2012, now Pat. No. Des. 665,237.
- (51) **LOC (9) Cl.** **08-05**
- (52) **U.S. Cl.** **D8/21; D8/25**
- (58) **Field of Classification Search** D8/21–29, D8/81–87, 102–107, 98, 99, 55, 93, 94; 81/60–63.2, 81/177.1, 177.85, 177.8, 489, 125.1, 121.1, 81/119, 120, 176.1, 186, 177.9, 185.1, 176.2, 81/165, 170, 3.35, 58, 3.45, 155; 206/378; 16/429, 441, 124.6; 7/100, 138, 168, 157; 280/124.167, 124.13, 124.134, 124.137; 267/273, 277, 154, 278
 See application file for complete search history.

(57) **CLAIM**

The ornamental design for a swingable ratchet wheel, as shown and described.

DESCRIPTION

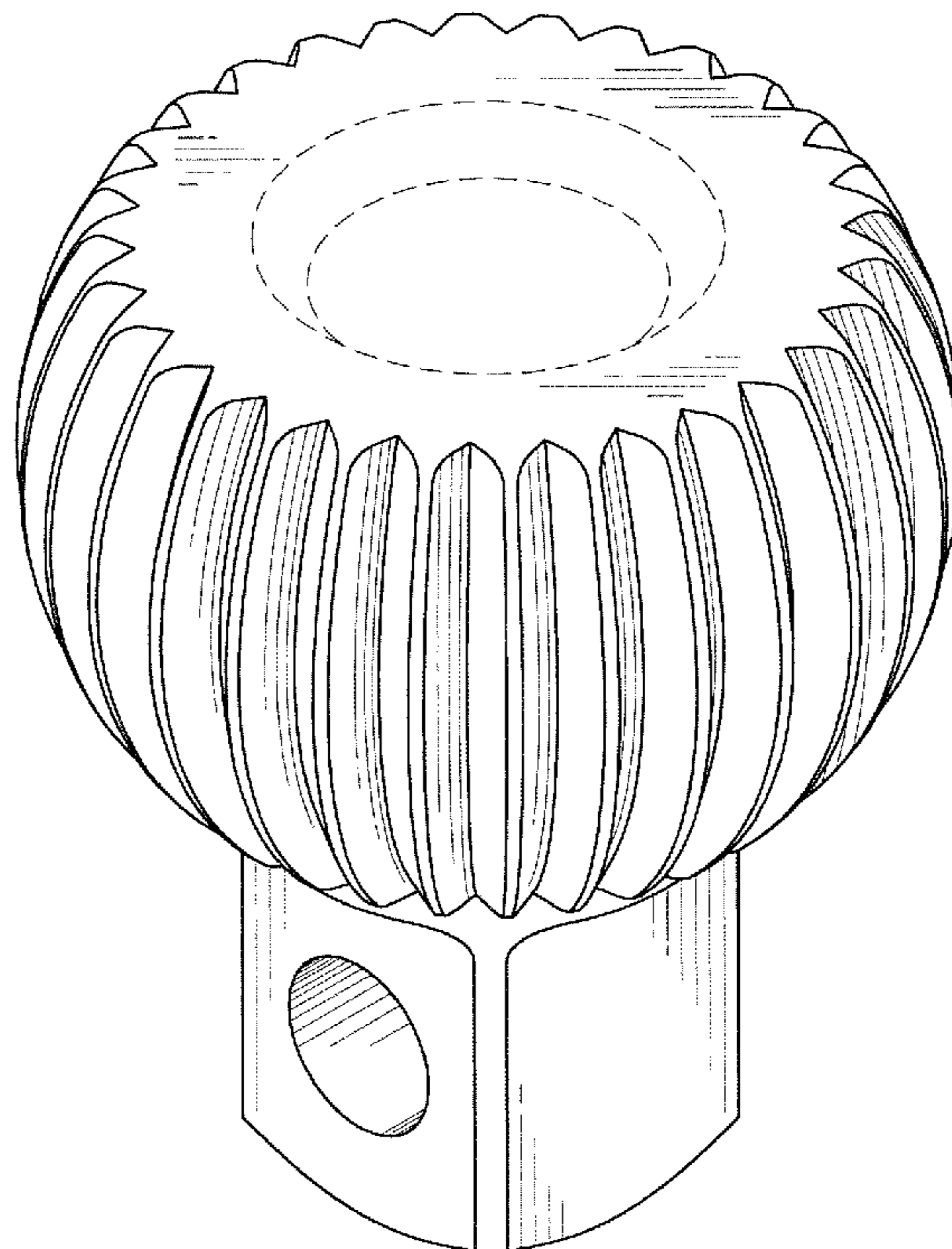
FIG. 1 is a perspective view of a swingable ratchet wheel showing my new design;
 FIG. 2 is a front elevational view thereof;
 FIG. 3 is a rear elevational view thereof;
 FIG. 4 is a left side view thereof;
 FIG. 5 is a right side view thereof;
 FIG. 6 is a top plan view thereof;
 FIG. 7 is a bottom plan view thereof; and,
 FIG. 8 is another perspective view thereof as viewed from another angle.
 The broken lines in FIGS. 1, 6, 7 and 8 are intended for the purpose of illustration only and are not a part of the claimed design.

(56) **References Cited**

U.S. PATENT DOCUMENTS

6,148,695	A	*	11/2000	Hu	81/60
6,488,136	B2	*	12/2002	Chang	192/46
6,516,930	B2	*	2/2003	Chen	192/43.2
6,644,148	B2	*	11/2003	Hu	81/63.2
6,739,222	B2	*	5/2004	Hsieh	81/60

1 Claim, 8 Drawing Sheets



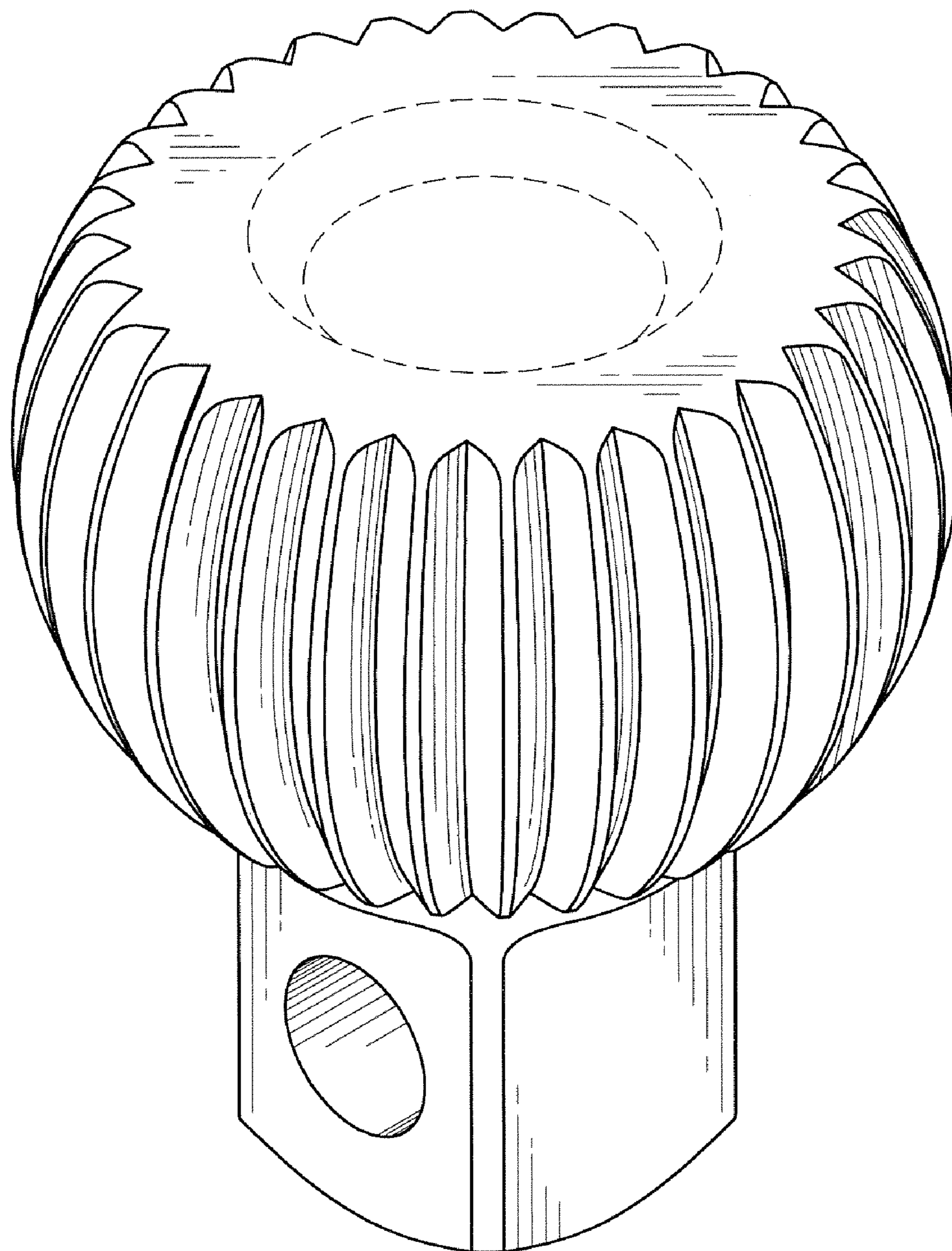


FIG. 1

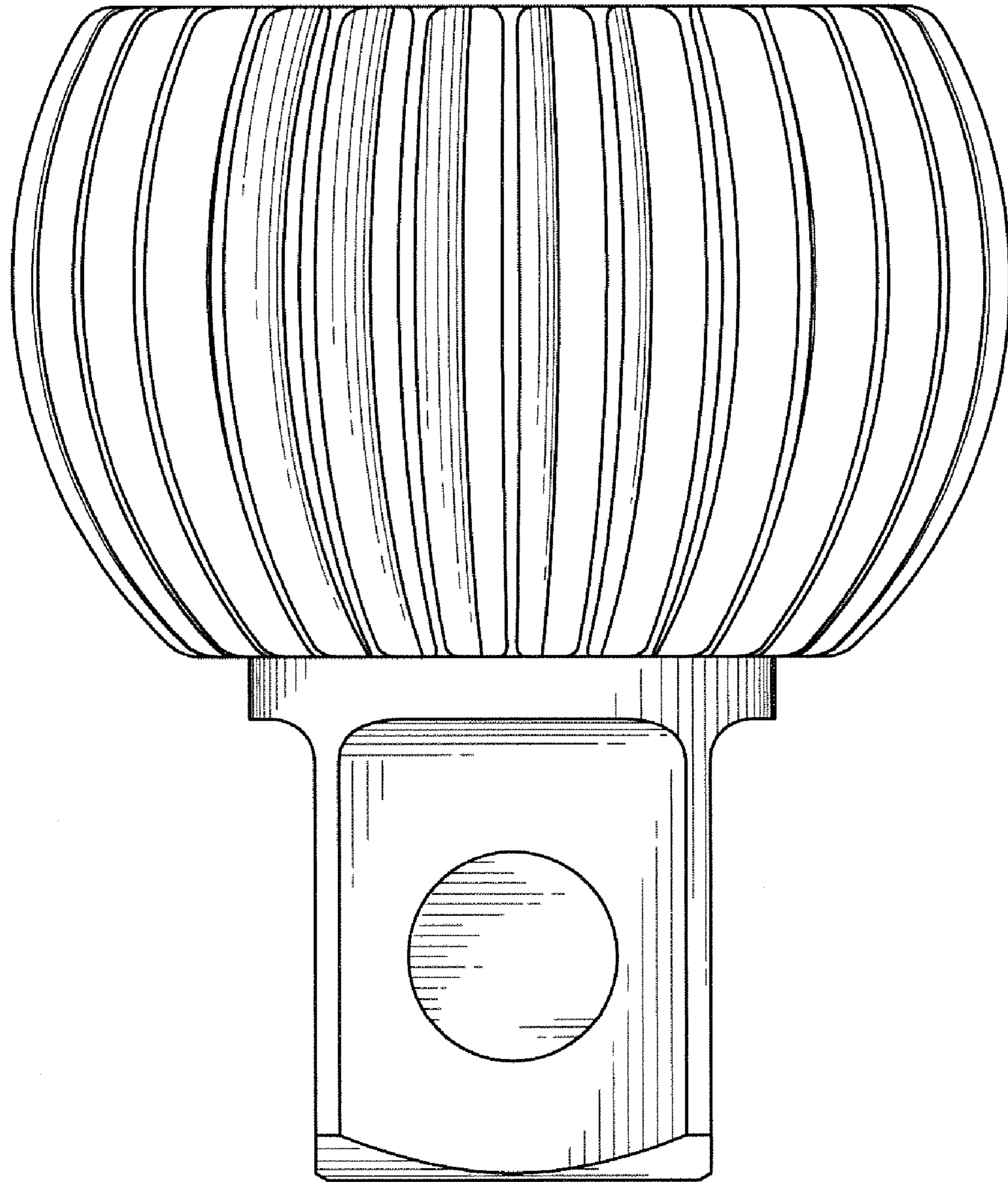


FIG. 2

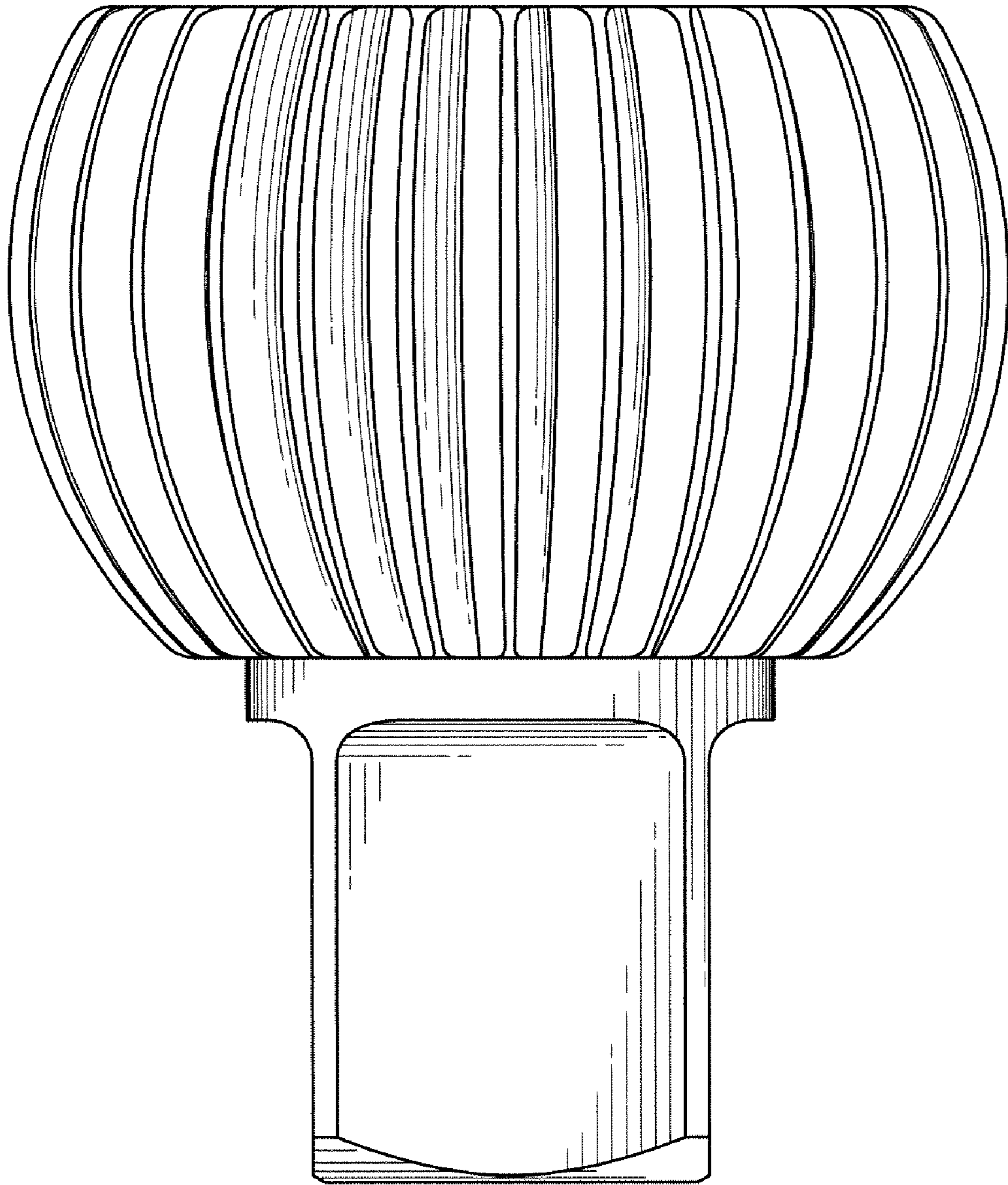


FIG. 3

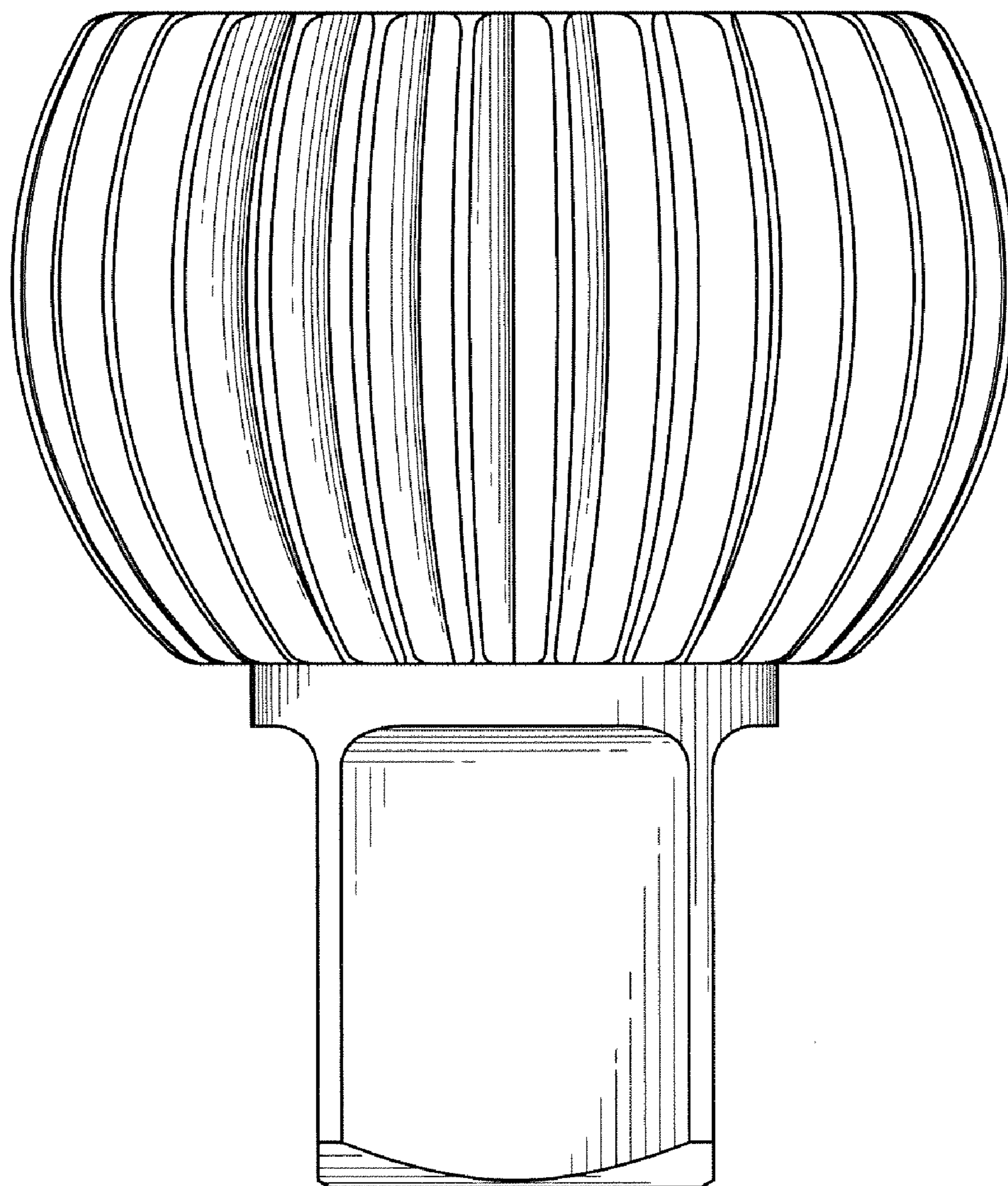


FIG. 4

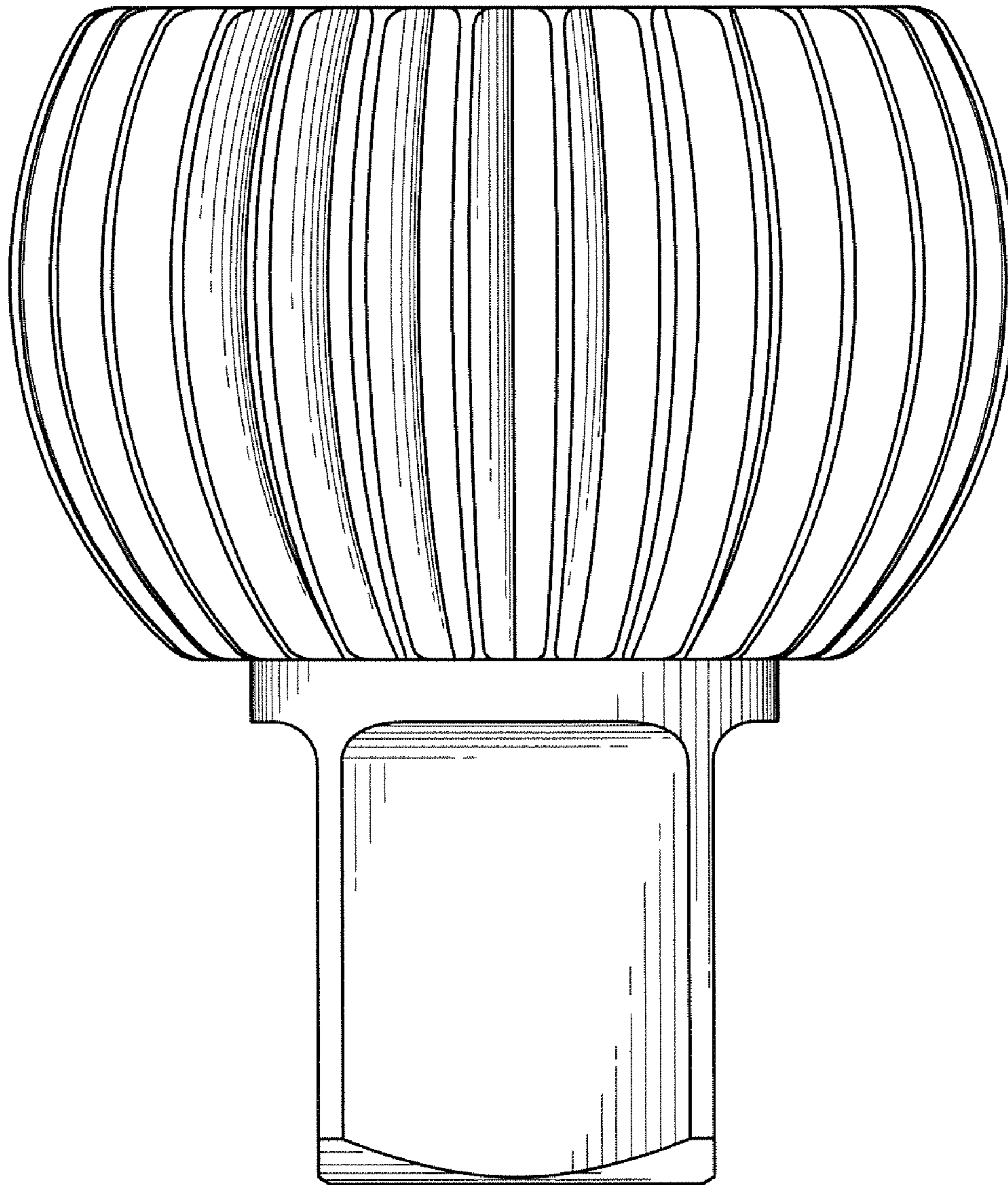


FIG. 5

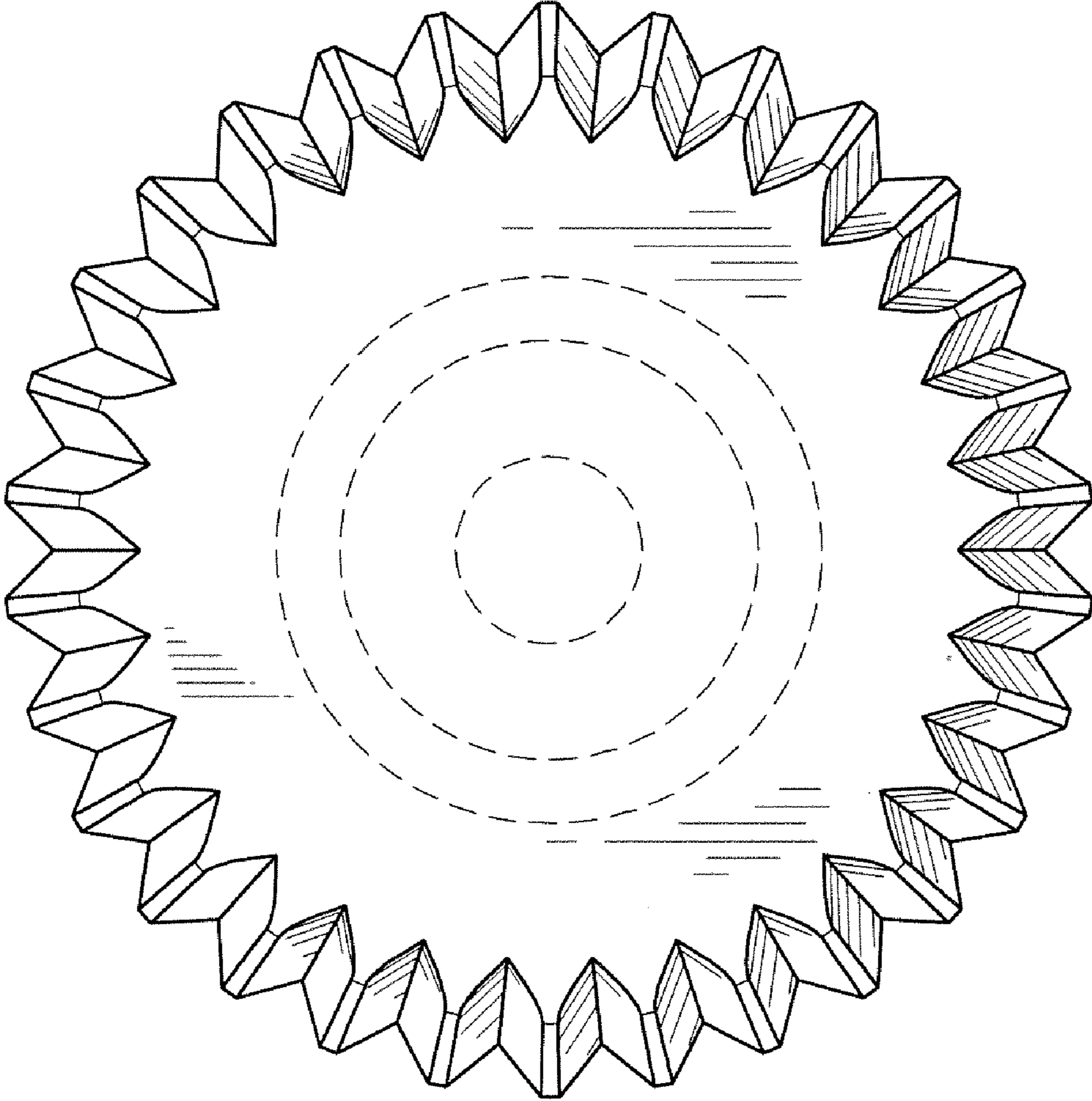


FIG. 6

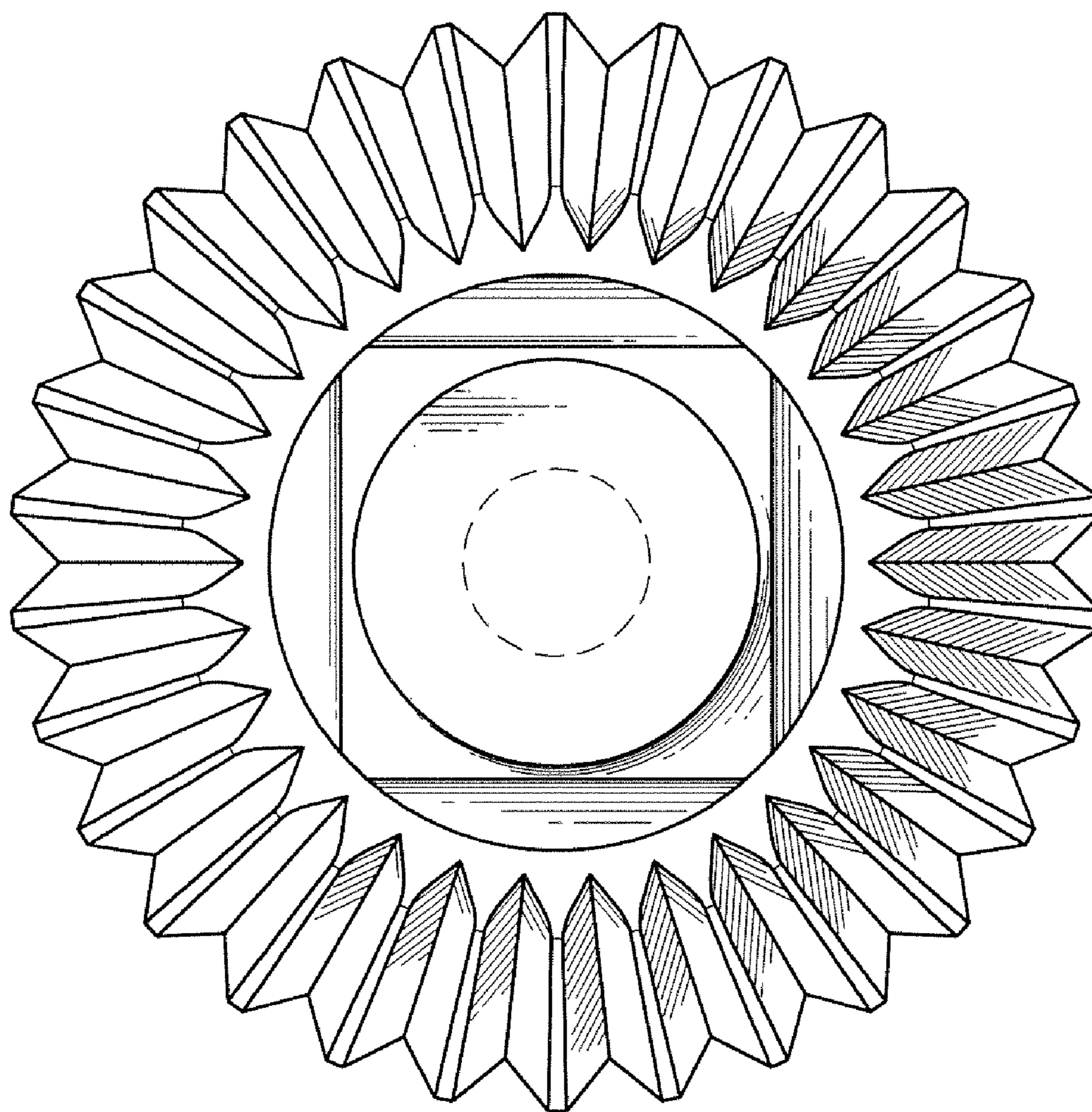


FIG. 7

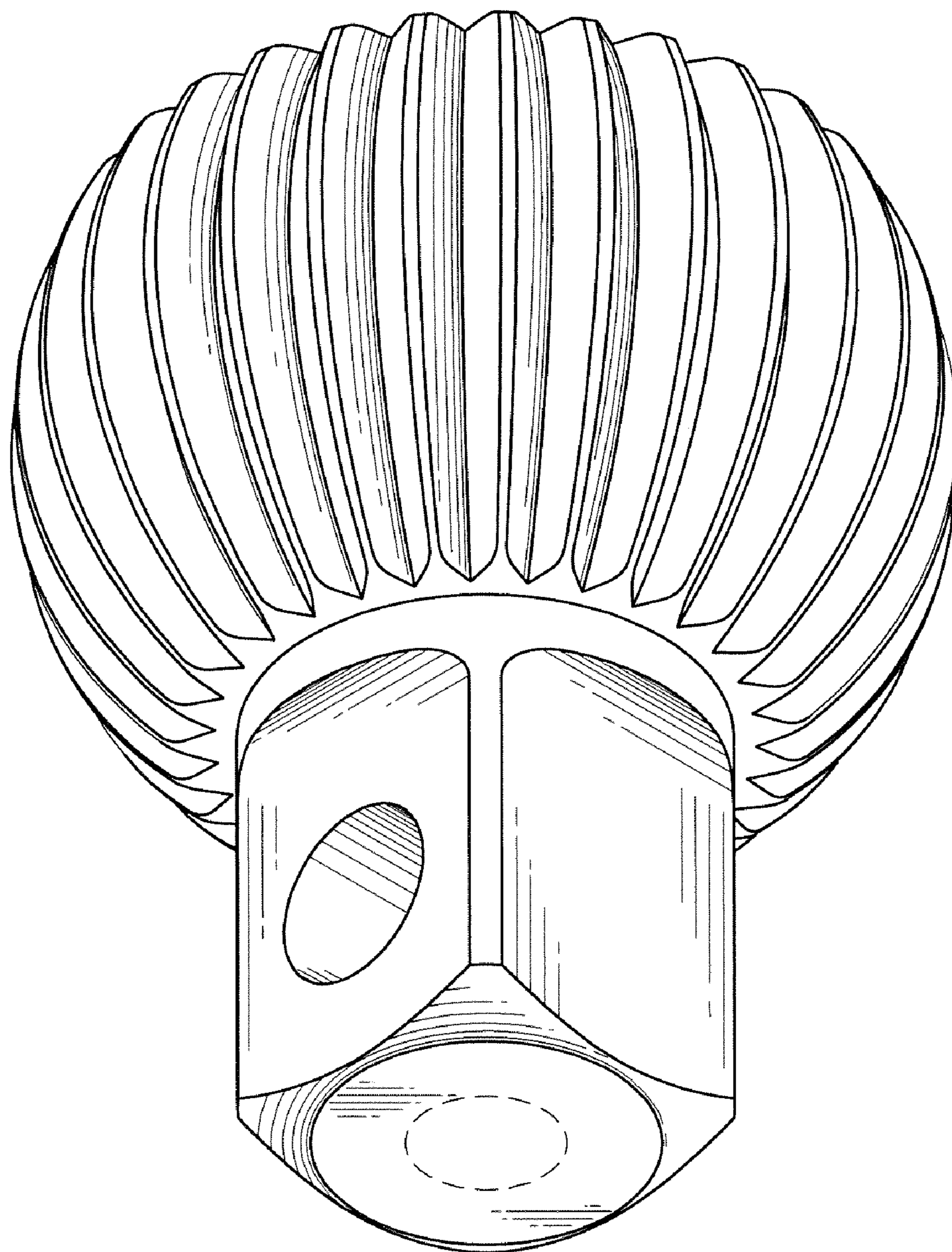


FIG. 8