



US00D678736S

(12) **United States Design Patent**  
**Junker et al.**

(10) **Patent No.:** **US D678,736 S**  
(45) **Date of Patent:** **\*\* Mar. 26, 2013**

(54) **HERB CHOPPER**

(75) Inventors: **Lars Junker**, Kowloon (HK); **Oliver Breit**, Discovery Bay (HK)

(73) Assignee: **DKB Household UK Limited**,  
Farnborough (GB)

(\*\*) Term: **14 Years**

(21) Appl. No.: **29/422,093**

(22) Filed: **May 16, 2012**

(30) **Foreign Application Priority Data**

Nov. 17, 2011 (EM) ..... 001949082-0007

(51) **LOC (9) Cl.** ..... **07-04**

(52) **U.S. Cl.** ..... **D7/693**

(58) **Field of Classification Search** ..... D7/693,  
D7/679, 381-385; 241/168, 169, 169.1,  
241/273.1-273.4, 162, 164, 272, 285.1, 285.2,  
241/100, 159, 270, 92, 93, 95, 30-37.5; 99/501-511

See application file for complete search history.

(56) **References Cited**

U.S. PATENT DOCUMENTS

D576,836 S \* 9/2008 Jossem et al. .... D7/384  
D618,071 S \* 6/2010 Jossem et al. .... D7/693  
D630,912 S \* 1/2011 Wong ..... D7/693

\* cited by examiner

*Primary Examiner* — Terry Wallace

(74) *Attorney, Agent, or Firm* — Harry K. Ahn; McCarter & English, LLP

(57) **CLAIM**

The ornamental design for a herb chopper, as shown and described.

**DESCRIPTION**

FIG. 1 is a top, rear and left side perspective view of an herb chopper according to an embodiment of the present invention;

FIG. 2 is a bottom view of the herb chopper of FIG. 1;

FIG. 3 is a rear view of the herb chopper of FIG. 1;

FIG. 4 is a side view of the herb chopper of FIG. 1;

FIG. 5 is a front view of the herb chopper of FIG. 1;

FIG. 6 is a bottom, front and left side perspective view of the herb chopper of FIG. 1; and,

FIG. 7 is a top view of the herb chopper of FIG. 1.

The broken lines are for illustrative purposes only and form no part of the claimed design.

**1 Claim, 7 Drawing Sheets**

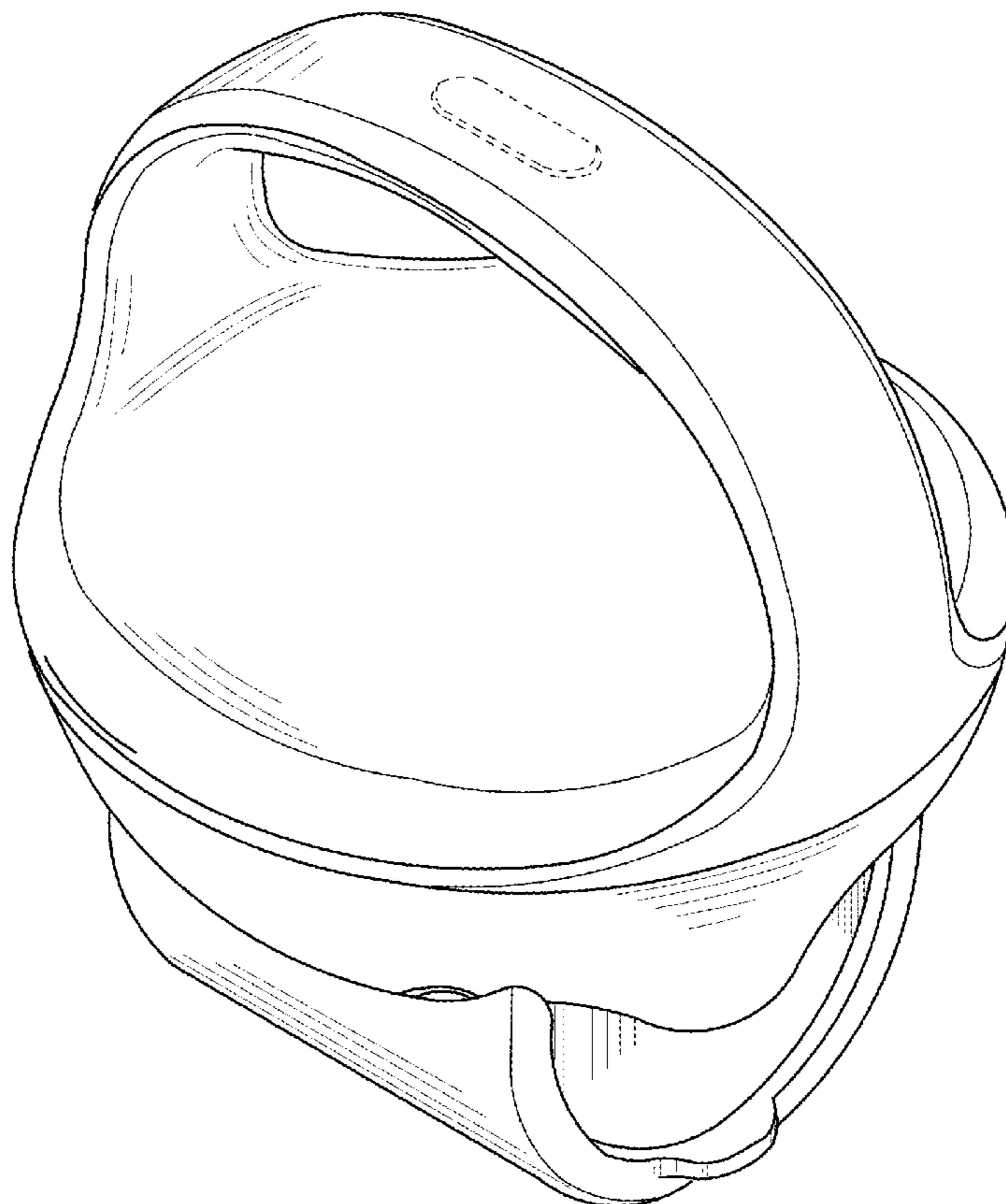


Figure 1

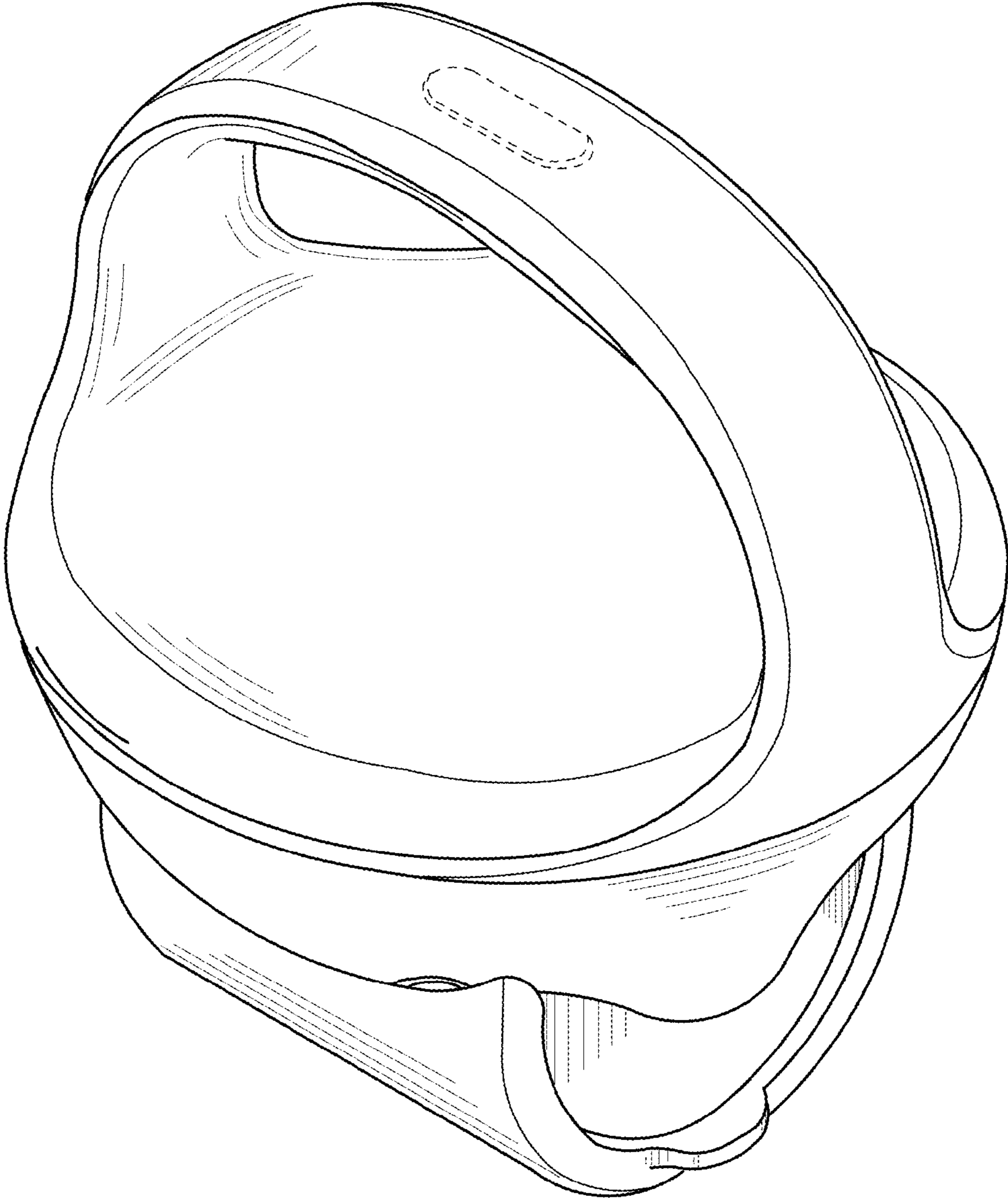


Figure 2

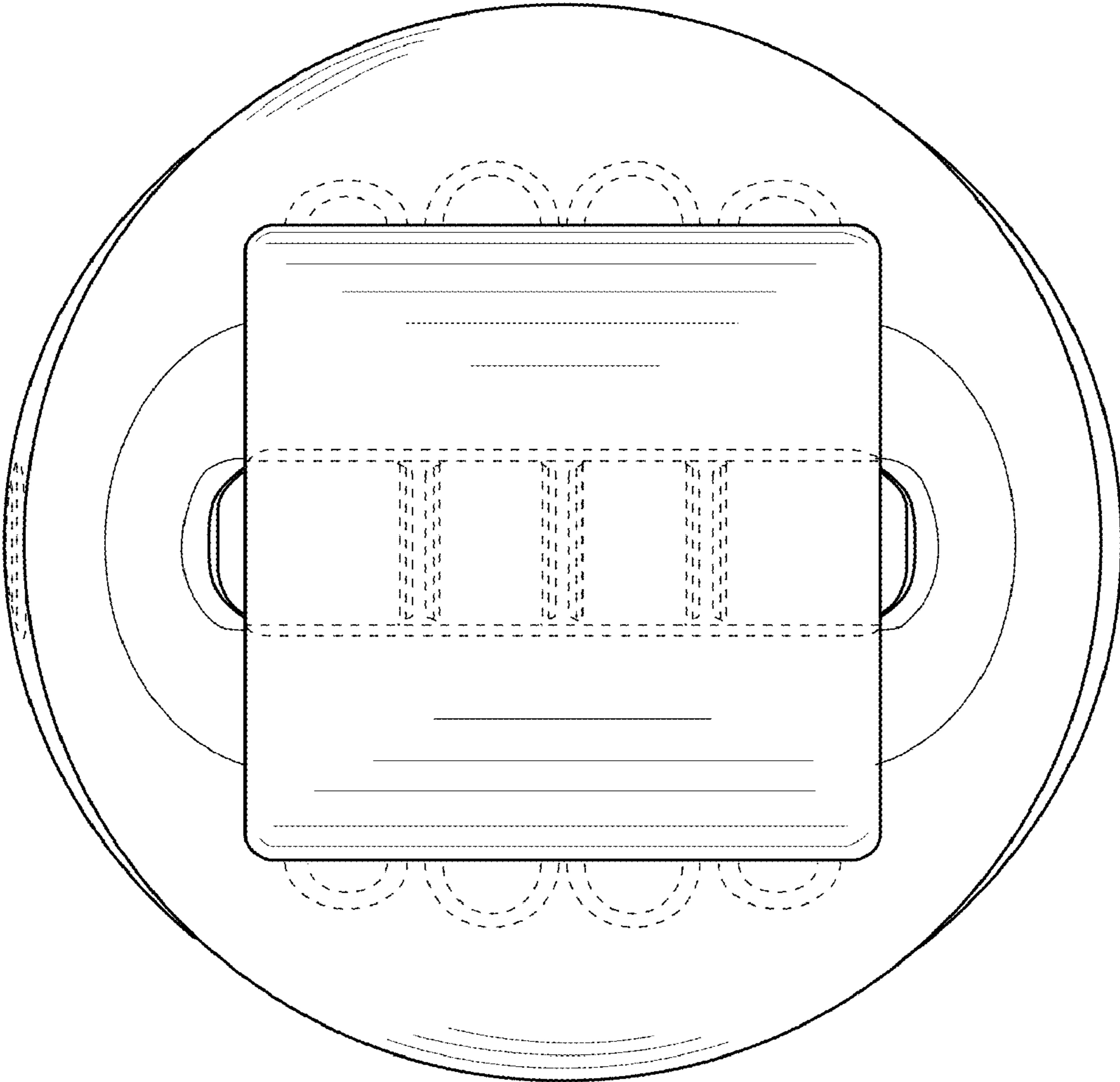


Figure 3

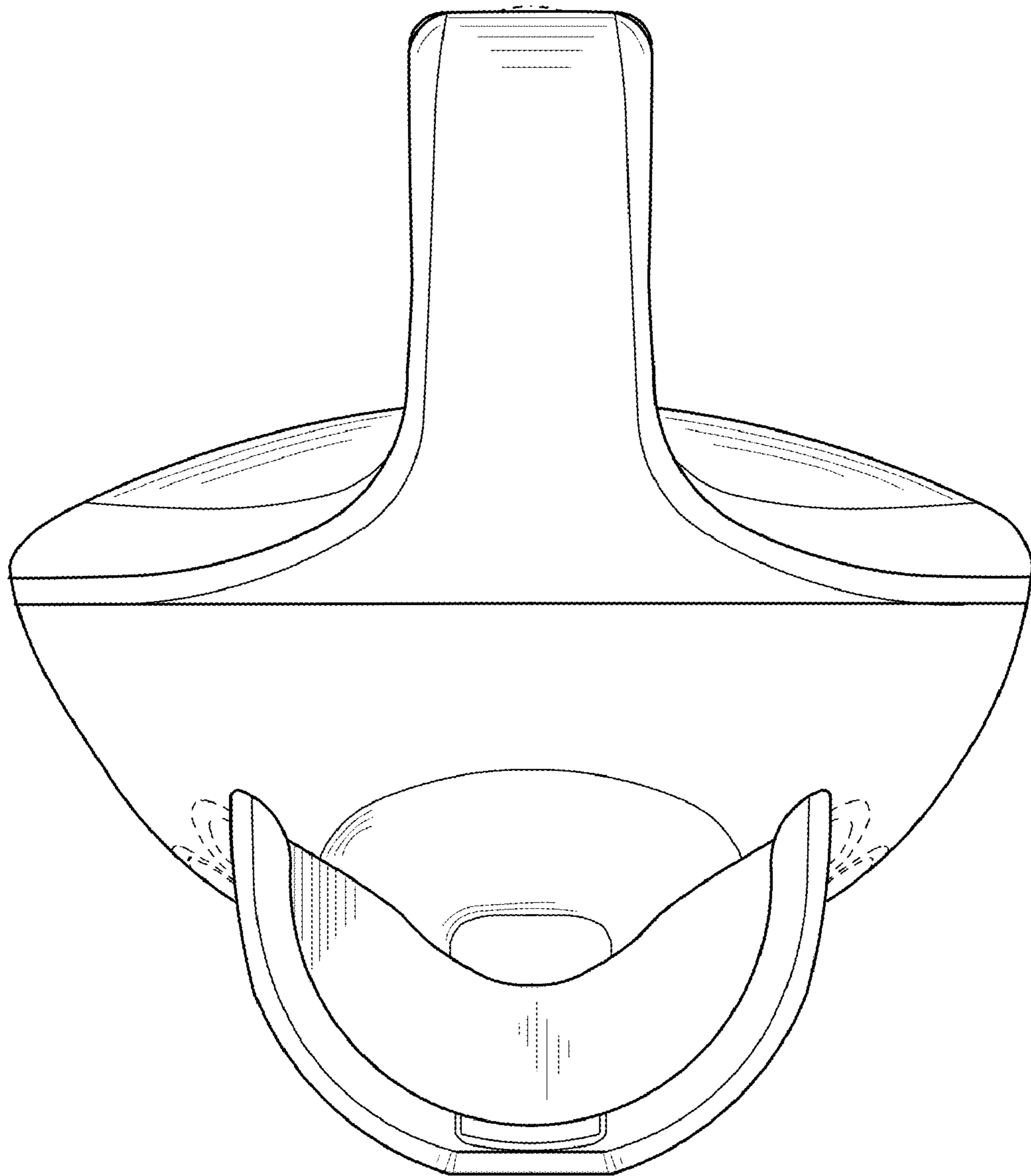


Figure 4

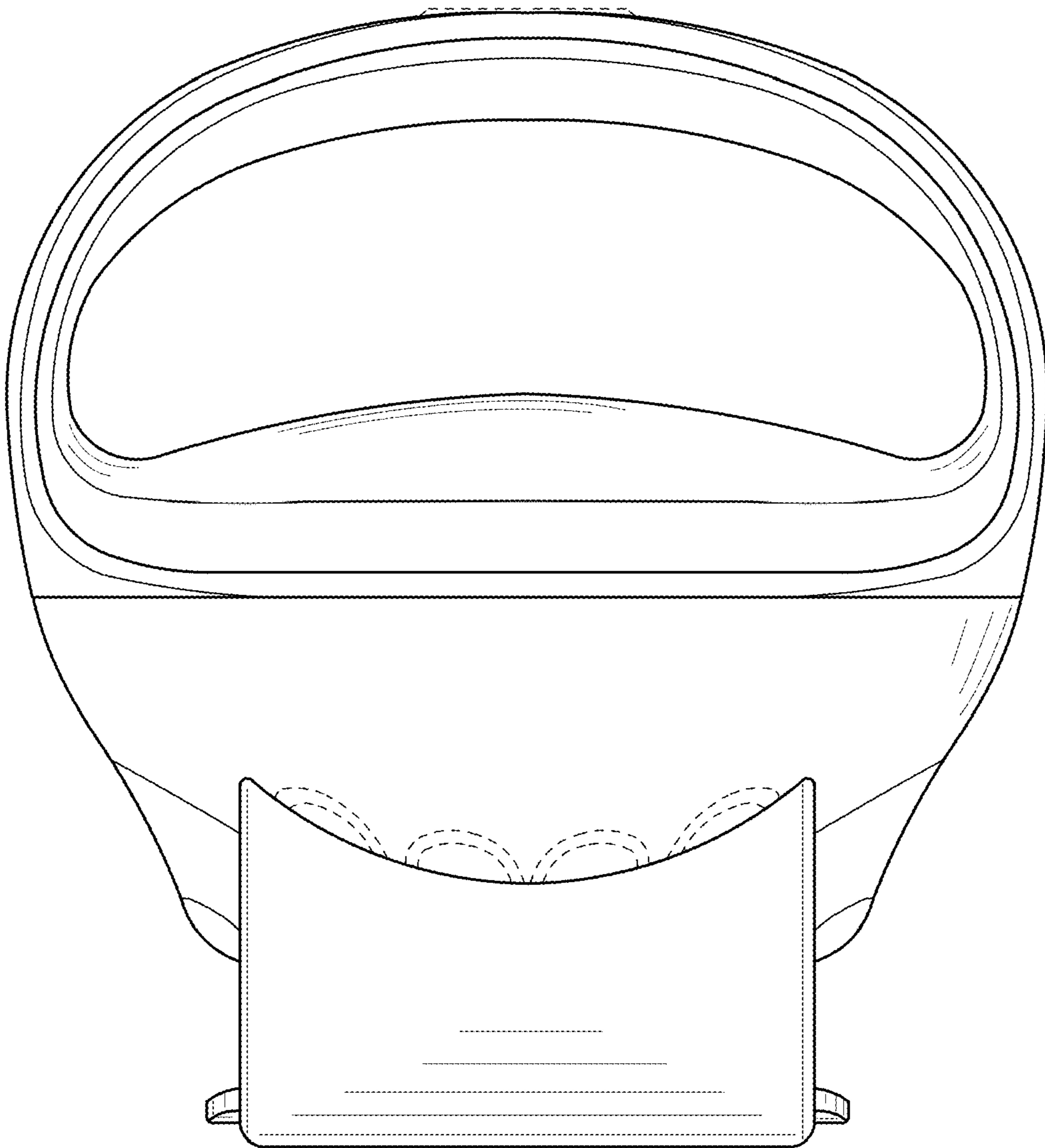


Figure 5

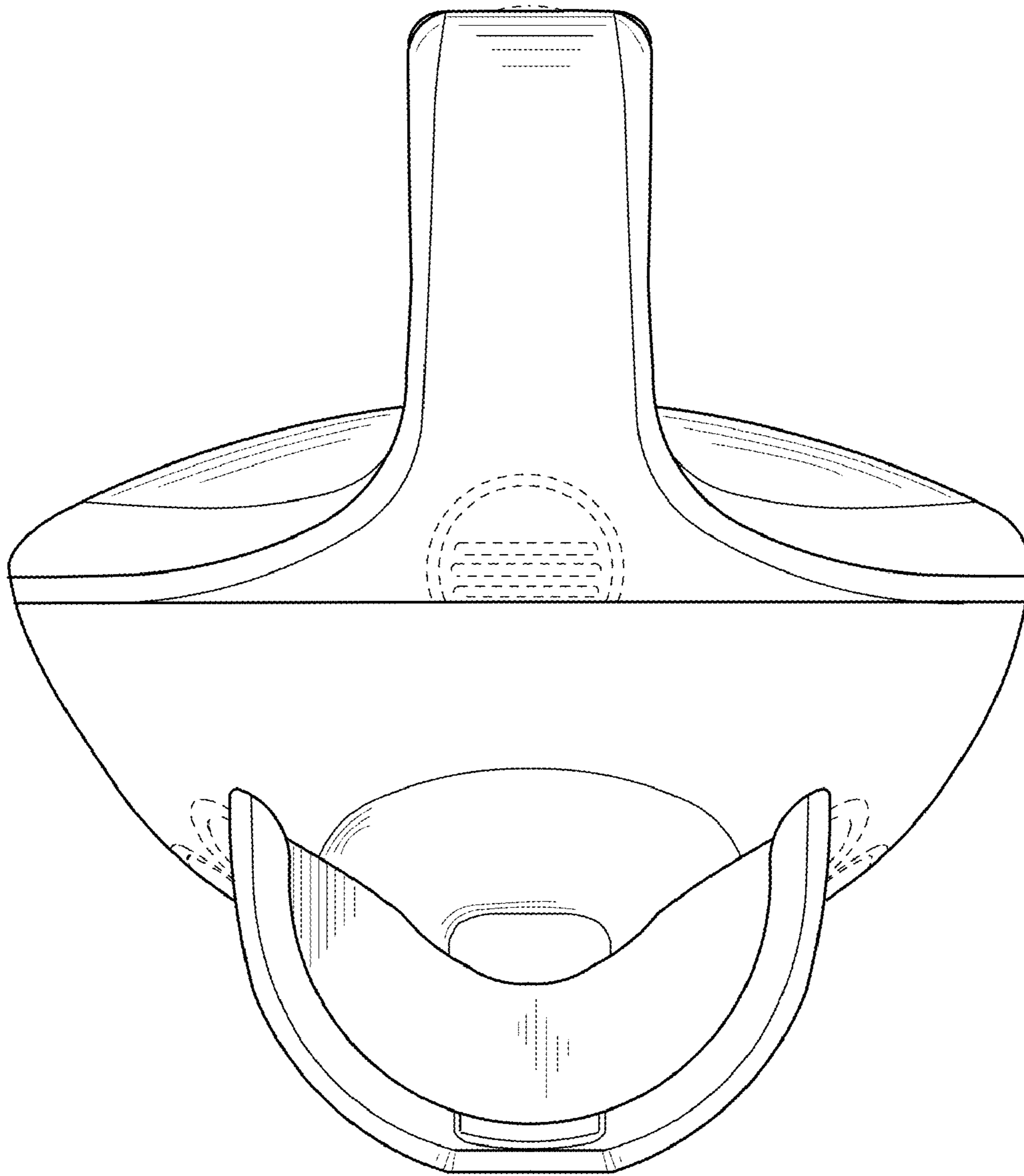


Figure 6

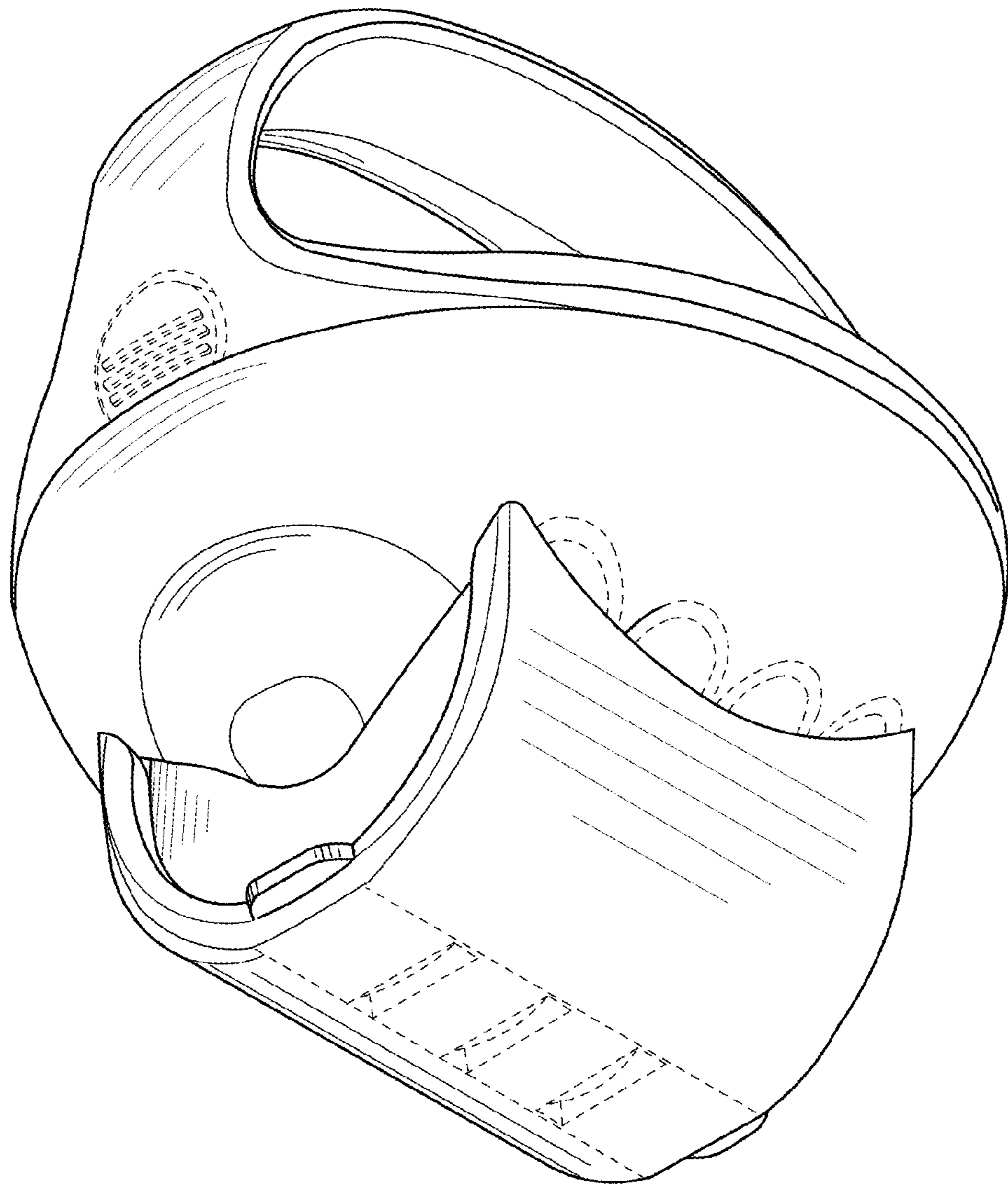


Figure 7

