



US00D678735S

(12) **United States Design Patent**
Chapman

(10) **Patent No.:** **US D678,735 S**

(45) **Date of Patent:** **** Mar. 26, 2013**

(54) **ICE CREAM SCOOP**

(76) **Inventor:** **Sophia Elizabeth Chapman**, Upper
Montclair, NJ (US)

(**) **Term:** **14 Years**

(21) **Appl. No.:** **29/387,425**

(22) **Filed:** **Mar. 14, 2011**

(51) **LOC (9) Cl.** **07-99**

(52) **U.S. Cl.** **D7/681**

(58) **Field of Classification Search** D7/681-696,
D7/395; 425/276-286, 187, 299, DIG. 13;
294/176, 179, 180; 30/324-328
See application file for complete search history.

(56) **References Cited**

U.S. PATENT DOCUMENTS

2,926,620	A	*	3/1960	Fried	425/277
D387,514	S	*	12/1997	Savicki	294/179
D415,662	S	*	10/1999	Schneider	D7/700
D475,899	S	*	6/2003	Ming-Shiue	D7/681

D487,676	S	*	3/2004	Overthun et al.	D7/681
D513,946	S	*	1/2006	Lion et al.	D7/681
D617,155	S	*	6/2010	Frank	D7/681

* cited by examiner

Primary Examiner — Terry Wallace

(74) *Attorney, Agent, or Firm* — Klauber & Jackson LLC

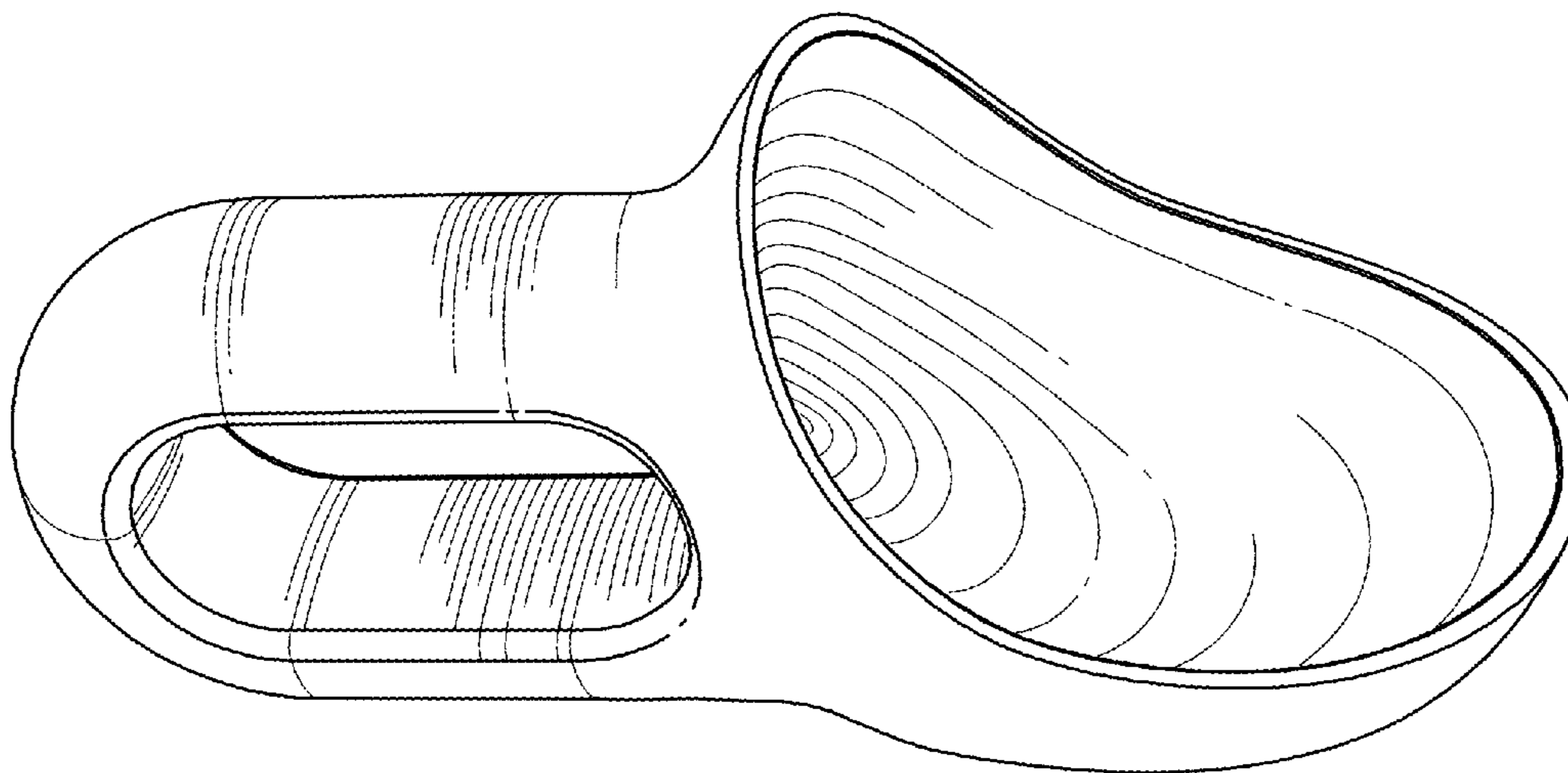
(57) **CLAIM**

The ornamental design for an ice cream scoop, as shown and described.

DESCRIPTION

FIG. 1 is an upper right perspective view showing the top, front and right side of the ice cream scoop of my new design; FIG. 2 is a front view thereof; FIG. 3 is a rear view thereof; FIG. 4 is a top view thereof; FIG. 5 is a bottom view thereof; and, FIG. 6 is a left side view thereof, the right side view being the mirror image thereof.

1 Claim, 3 Drawing Sheets



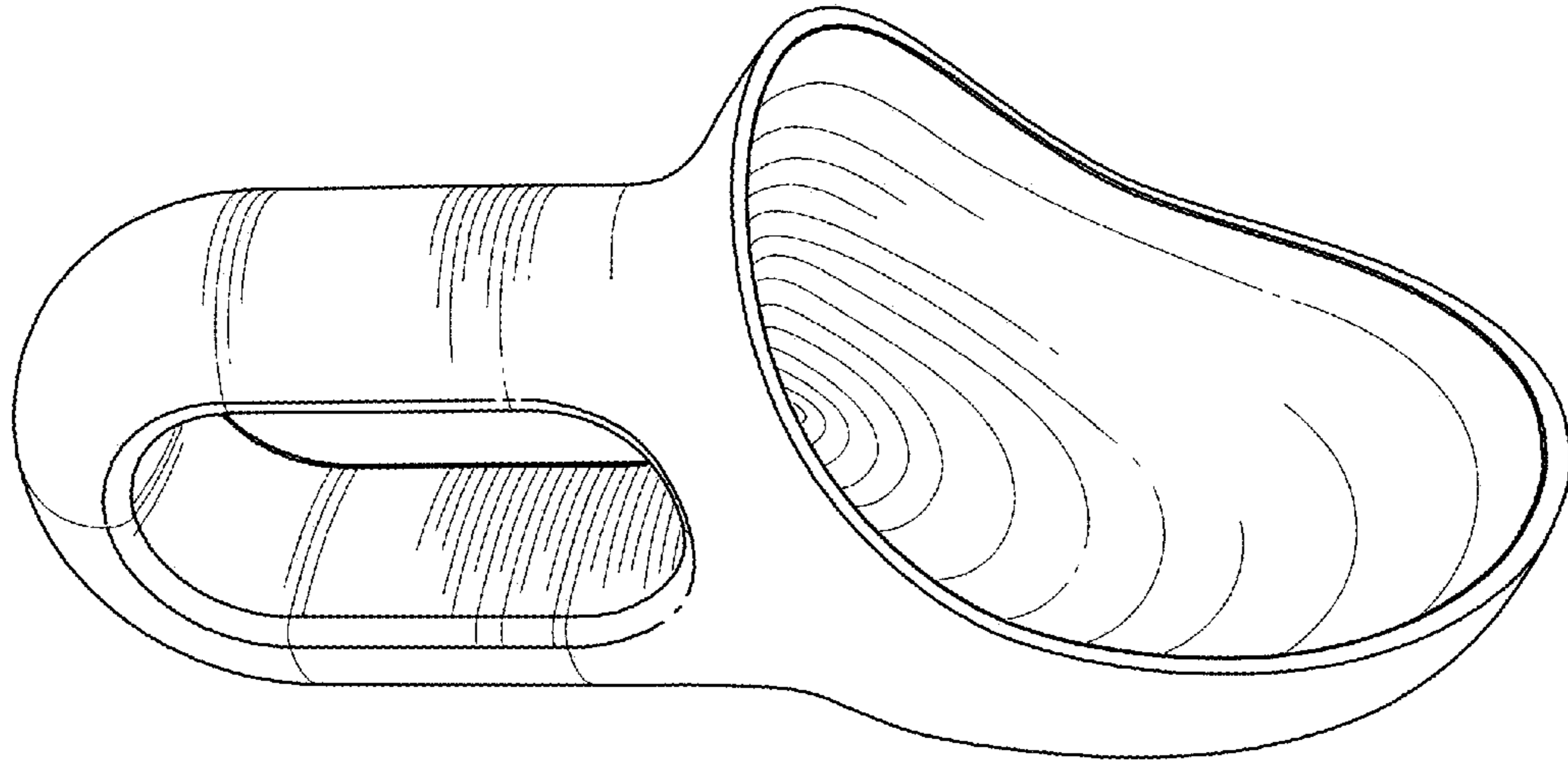


Fig. 1

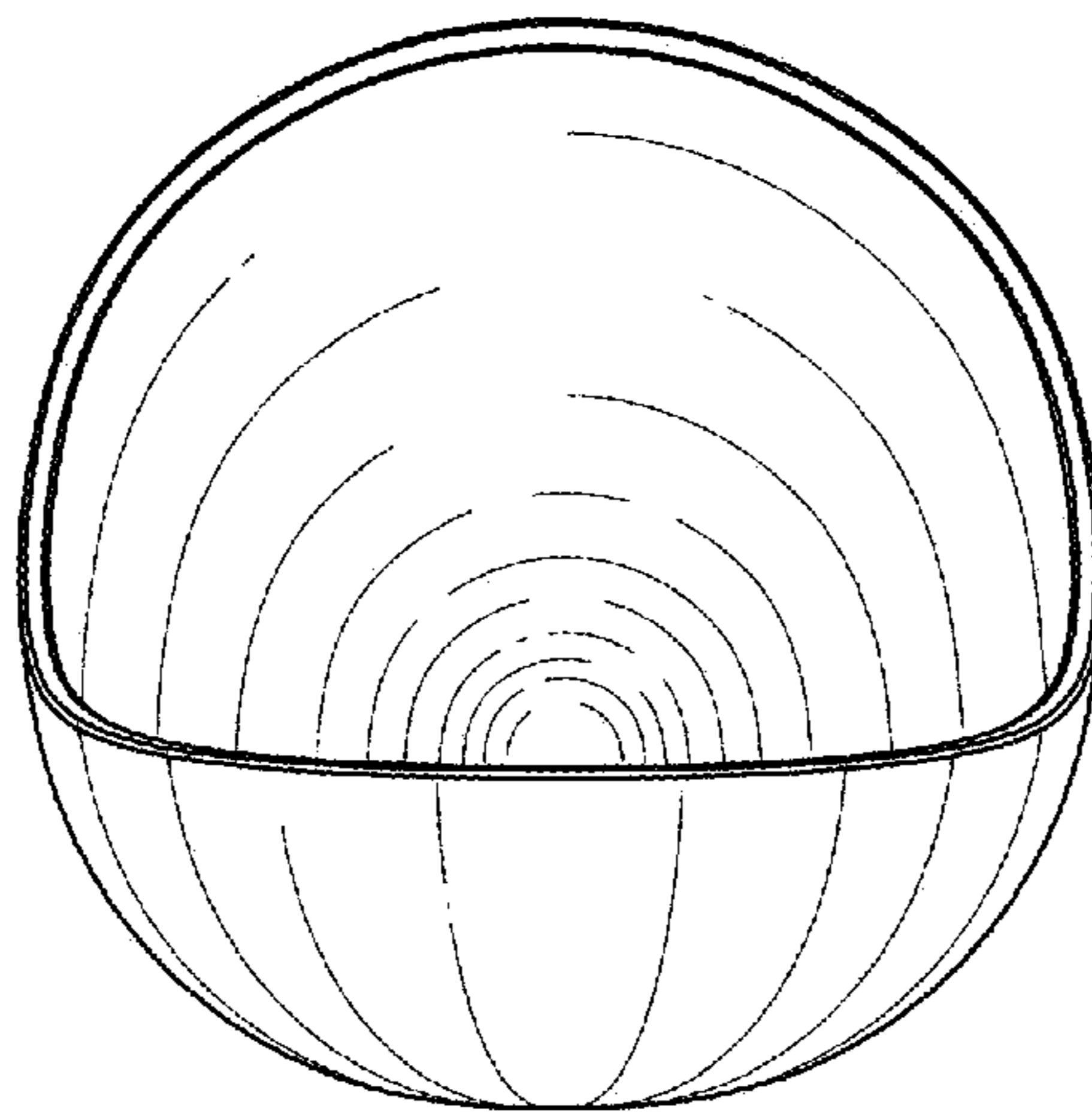


Fig. 2

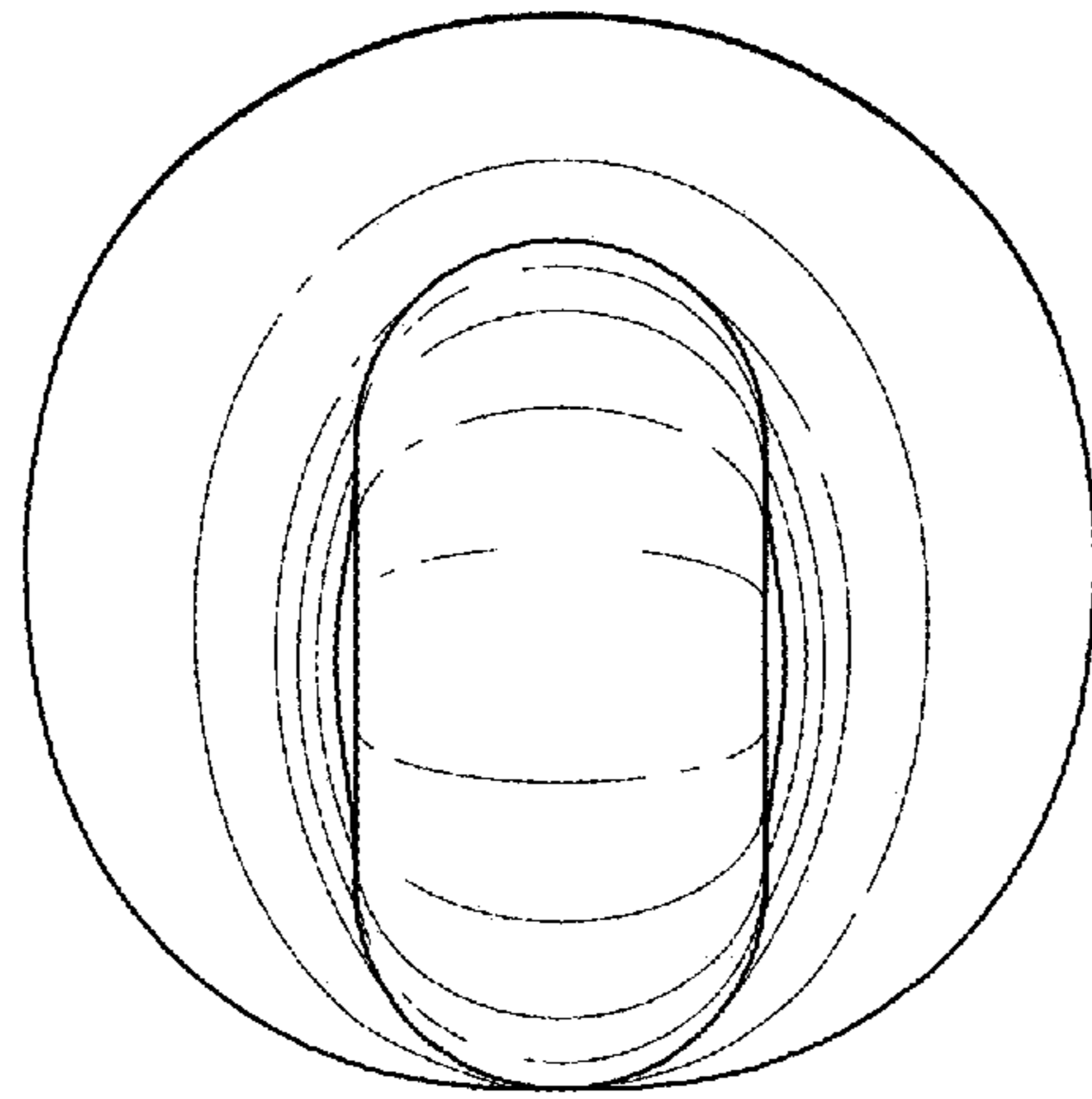


Fig. 3

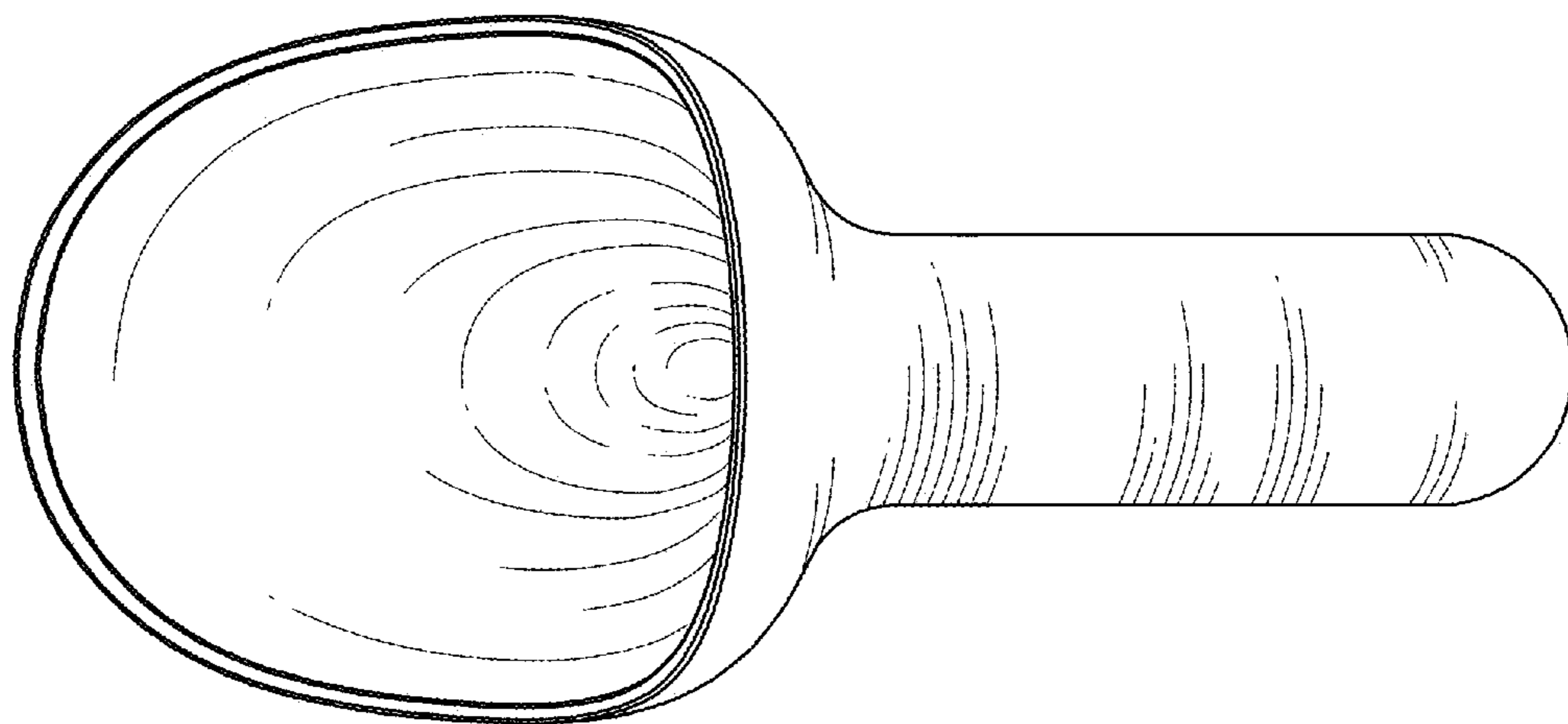


Fig. 4

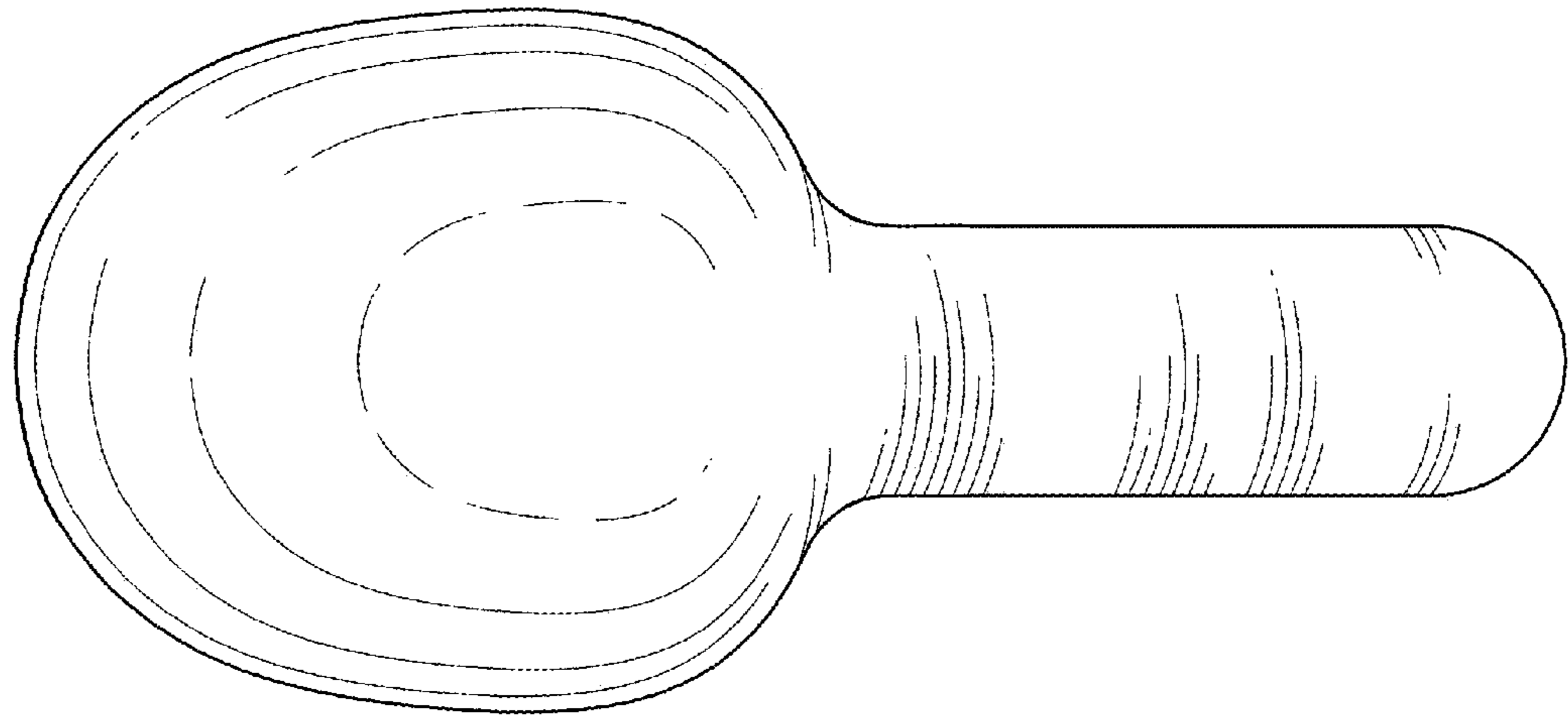


Fig. 5

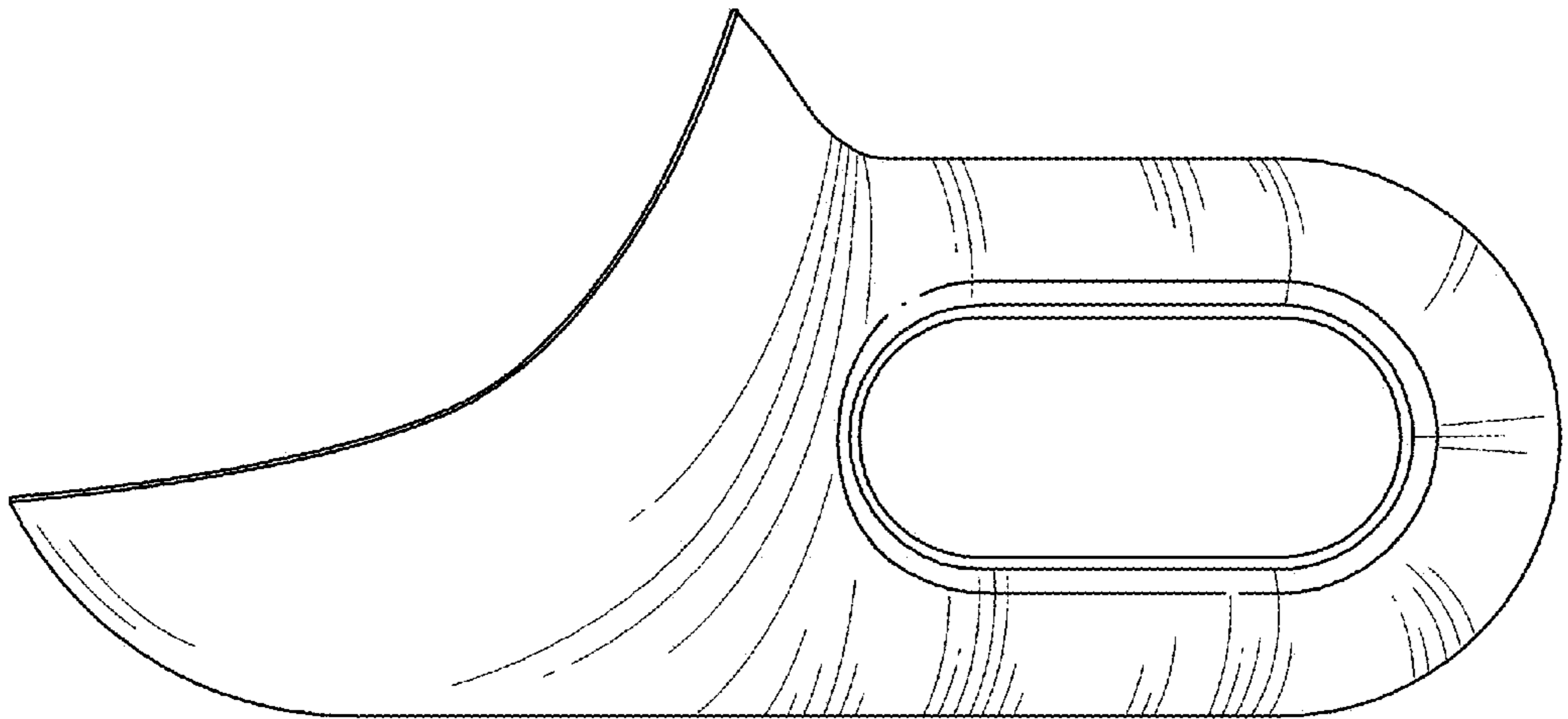


Fig. 6