

US00D678733S

(12) **United States Design Patent**
Svihilik

(10) **Patent No.:** **US D678,733 S**

(45) **Date of Patent:** **** Mar. 26, 2013**

(54) **KNIFE**

(76) Inventor: **Jeffrey A. Svihilik**, Crown Point, IN
(US)

(**) Term: **14 Years**

(21) Appl. No.: **29/416,101**

(22) Filed: **Mar. 19, 2012**

(51) **LOC (9) Cl.** **07-03**

(52) **U.S. Cl.** **D7/649**

(58) **Field of Classification Search** D7/368,

D7/393-395, 401.2, 642-646, 649-654, 660-664,
D7/669, 675-676, 683, 688-692, 695-696;
D8/25, 83, 99, 107, 303; D22/118; 30/114,
30/137, 141-143, 147-150, 305, 313-315,
30/322-327, 329, 340, 342-344; 416/70 R

See application file for complete search history.

(56) **References Cited**

U.S. PATENT DOCUMENTS

133,126 A	11/1872	Smead	
212,654 A	2/1879	Brown	
213,257 A	3/1879	Spring	
361,176 A	4/1887	McDermott	
373,748 A	11/1887	McDermott	
376,277 A	1/1888	Bailey	
511,300 A	12/1893	Lawley	
543,146 A	7/1895	Cantelo	
544,946 A	8/1895	Andren	
606,455 A	8/1898	Gwinner	
642,585 A	2/1900	Crowley	
749,357 A *	1/1904	Breitstein	30/305
756,068 A	3/1904	Simmons	
986,166 A	3/1911	Haas	

1,194,049 A	8/1916	Marsh	
1,522,677 A	1/1925	Gregory	
1,533,305 A *	4/1925	Burton	30/315
1,539,766 A	5/1925	Panscik	
1,540,938 A	6/1925	Gordon	
1,840,151 A	1/1932	Brown	
2,071,691 A	2/1937	Hayford	
D249,994 S	10/1978	Hall	
4,625,404 A *	12/1986	Valente et al.	30/114
4,924,575 A *	5/1990	James	30/315
4,959,905 A	10/1990	Ghislain	
5,257,459 A *	11/1993	Goodson	30/313
5,920,992 A *	7/1999	Watermolen et al.	30/315
D488,682 S	4/2004	Bertke et al.	
7,726,030 B2	6/2010	Hayes	
7,823,292 B1	11/2010	Castiglione et al.	

* cited by examiner

Primary Examiner — Ricky Pham

(74) *Attorney, Agent, or Firm* — Botkin & Hall, LLP

(57) **CLAIM**

The ornamental design for a knife, as shown and described.

DESCRIPTION

FIG. 1 is a perspective view of a knife from an upper right spine side thereof;

FIG. 2 is a perspective view of the knife of FIG. 1 from a lower left blade side thereof;

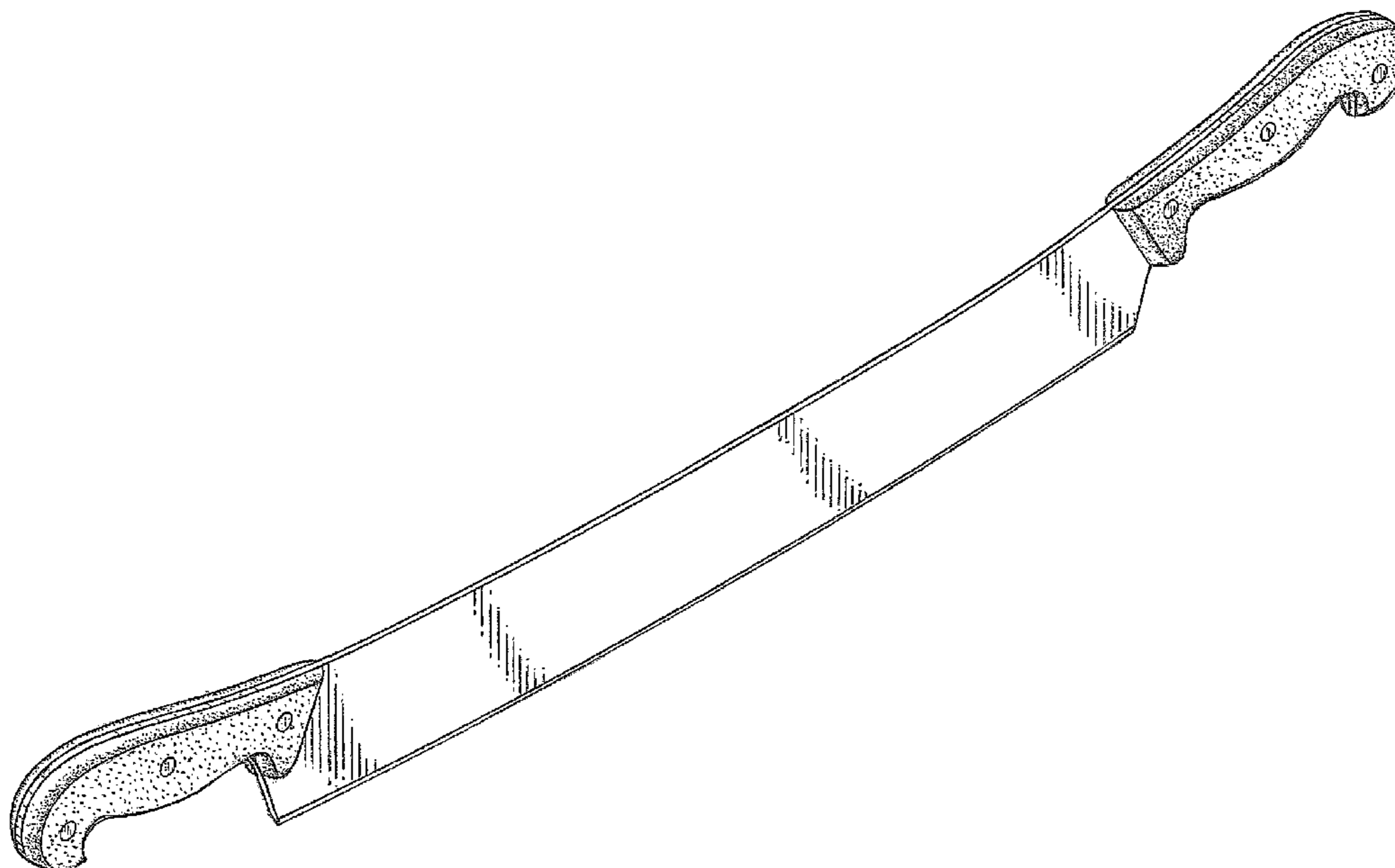
FIG. 3 is a side view of the knife of FIG. 1 from the right side thereof, the left side being a mirror image thereof;

FIG. 4 is an end view of the knife of FIG. 1, the other end being a mirror image thereof;

FIG. 5 is a top view of the knife of FIG. 1; and,

FIG. 6 is a bottom view of the knife of FIG. 1.

1 Claim, 3 Drawing Sheets



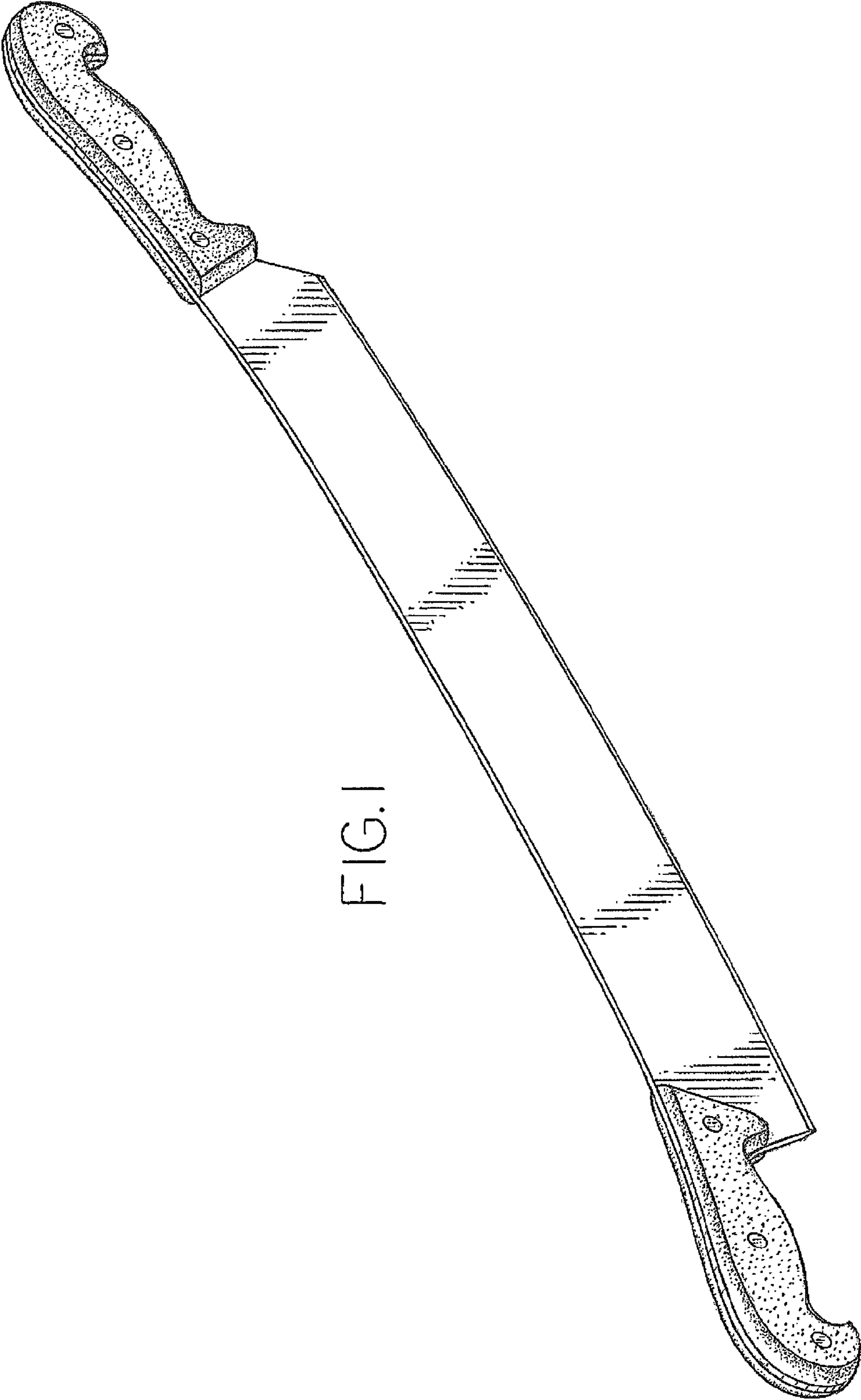


FIG. 1

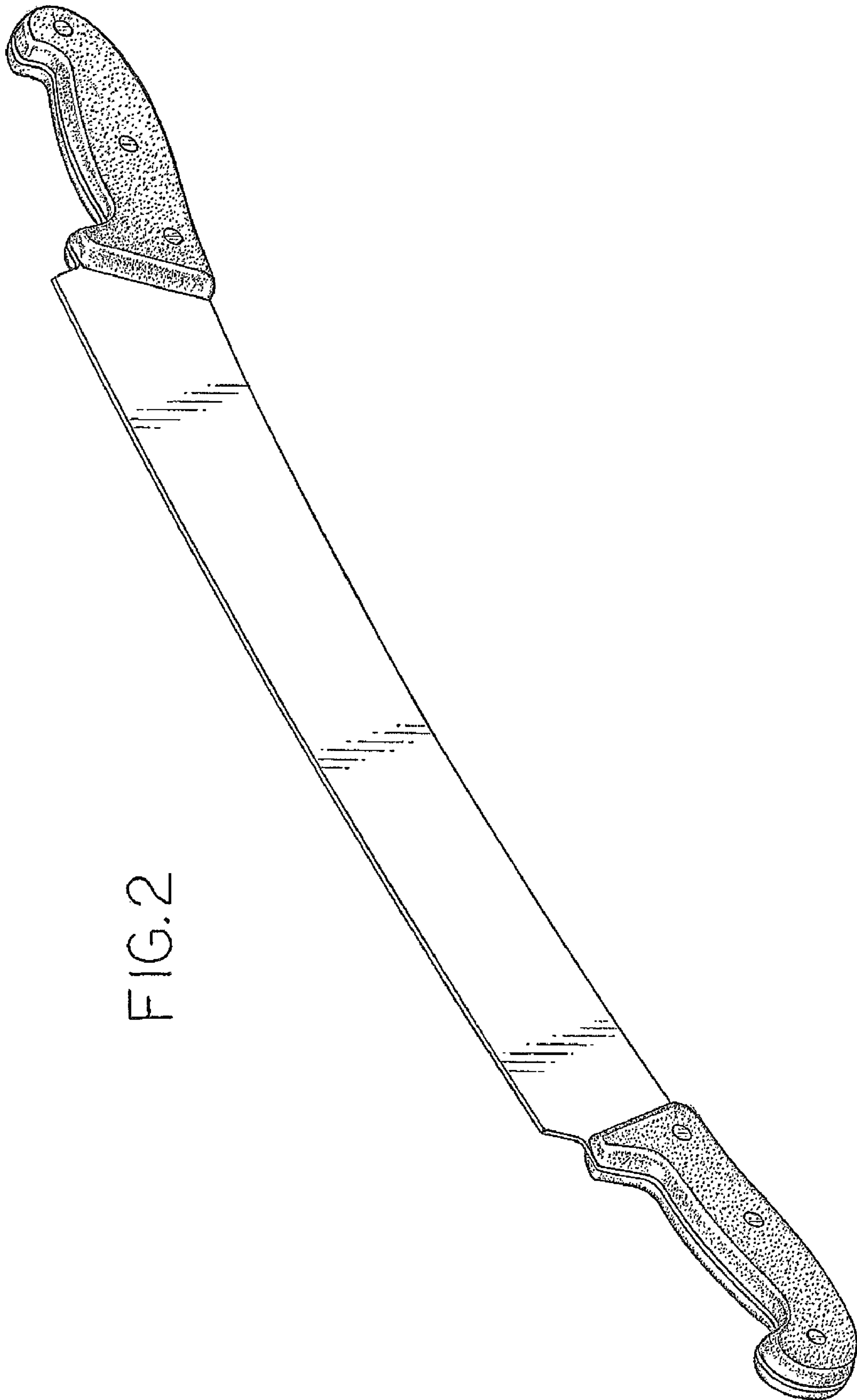


FIG. 2

FIG. 3

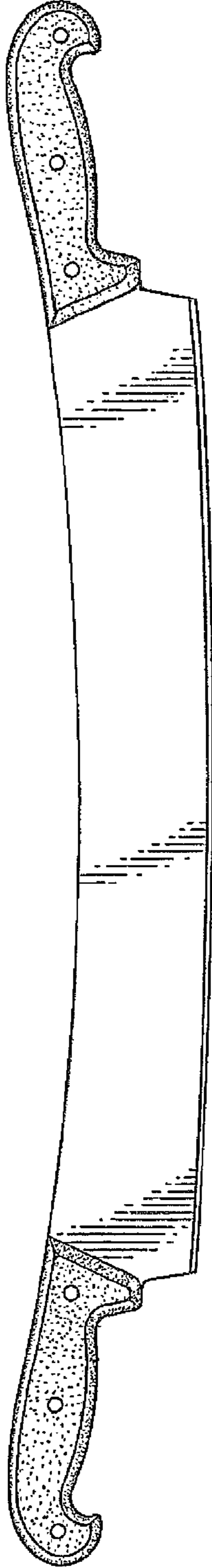


FIG. 4



FIG. 5



FIG. 6

