



US00D678732S

(12) **United States Design Patent**  
**Owens**

(10) **Patent No.:** **US D678,732 S**

(45) **Date of Patent:** **\*\* Mar. 26, 2013**

(54) **SCRAPER CHEF KNIFE**

(76) Inventor: **Dwaine Owens**, Salome, AZ (US)

(\*\*) Term: **14 Years**

(21) Appl. No.: **29/403,124**

(22) Filed: **Sep. 30, 2011**

(51) **LOC (9) Cl.** ..... **07-03**

(52) **U.S. Cl.** ..... **D7/649**

(58) **Field of Classification Search** ..... D7/368,  
D7/393-395, 401.2, 642-646, 649-654, 660-664,  
D7/669, 675-676, 683, 688-692, 695-696;  
D8/25, 83, 99, 107, 303; D22/118; 30/137,  
30/141-143, 147-150, 165, 169, 322-327,  
30/329, 340, 342-344, 353; 416/70 R  
See application file for complete search history.

(56) **References Cited**

U.S. PATENT DOCUMENTS

D27,254 S *	6/1897	Barden et al.	.....	D7/649
D28,186 S *	1/1898	Barden	.....	D7/650
683,867 A *	10/1901	Stryker	.....	30/169
D43,729 S *	3/1913	Teller	.....	D7/649
D267,622 S *	1/1983	Russell	.....	D7/649
D303,603 S *	9/1989	Zimmerman	.....	D7/650
5,692,308 A *	12/1997	Di Libero	.....	30/353
D397,920 S *	9/1998	Lillelund et al.	.....	D7/688
D403,559 S *	1/1999	Terenzio	.....	D7/650

D463,223 S *	9/2002	Bien	.....	D7/696
D499,943 S *	12/2004	Malvoisin et al.	.....	D7/696
D551,517 S *	9/2007	Tarrerias et al.	.....	D7/649
2012/0079723 A1 *	4/2012	Owens	.....	30/165

\* cited by examiner

*Primary Examiner* — Ricky Pham

(74) *Attorney, Agent, or Firm* — Schmeiser, Olsen & Watts LLP

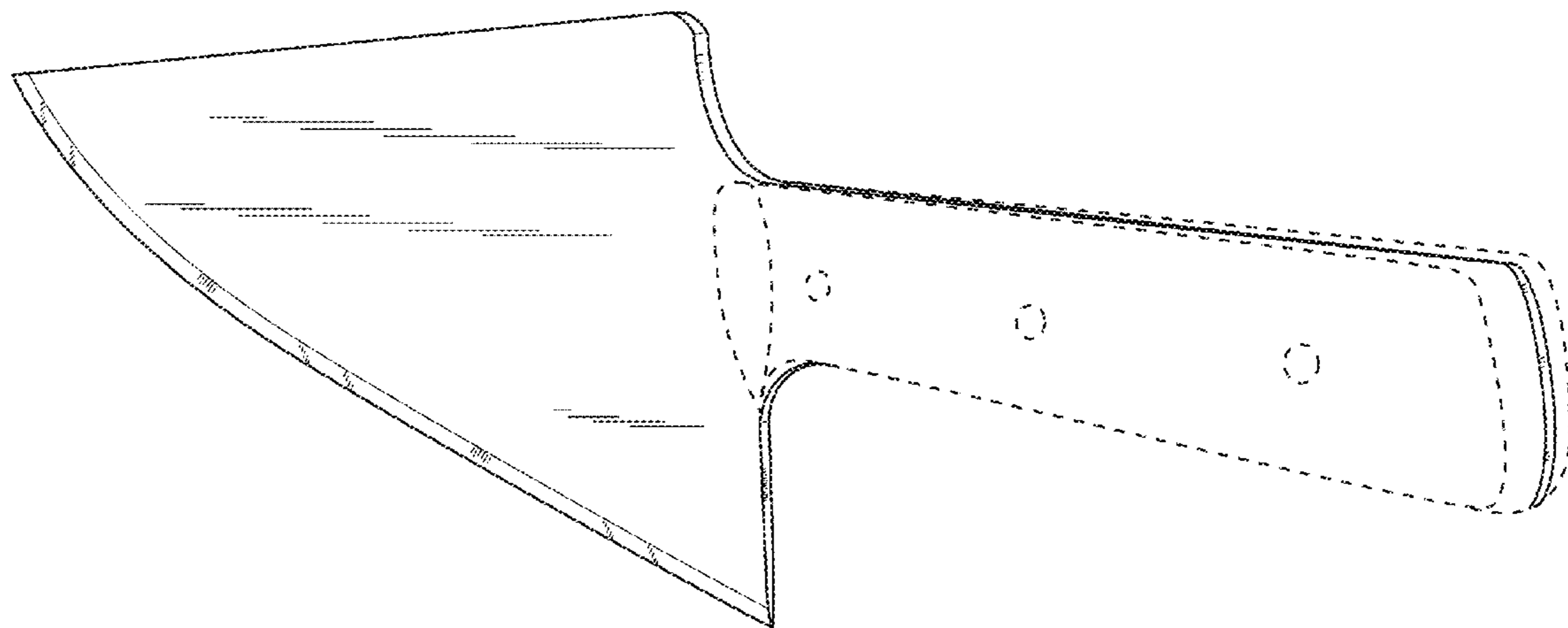
(57) **CLAIM**

The ornamental design for a scraper chef knife, as shown and described.

**DESCRIPTION**

FIG. 1 is a left-side perspective view of the chef knife;  
FIG. 2 is a right-side elevation view of the chef knife;  
FIG. 3 is a left-side elevation view of the chef knife;  
FIG. 4 is a top elevation view of the chef knife;  
FIG. 5 is a bottom elevation view of the chef knife;  
FIG. 6 is a rear elevation view of the chef knife;  
FIG. 7 is a front elevation view of the chef knife;  
FIG. 8 is a close-up view of the chef knife depicted in FIG. 6;  
and,  
FIG. 9 is a close-up view of the chef knife depicted in FIG. 7.  
The broken line showing of the chef knife is included for the purpose of illustrating portions of the scales and rivets of the chef knife and forms no part of the claimed design.

**1 Claim, 4 Drawing Sheets**



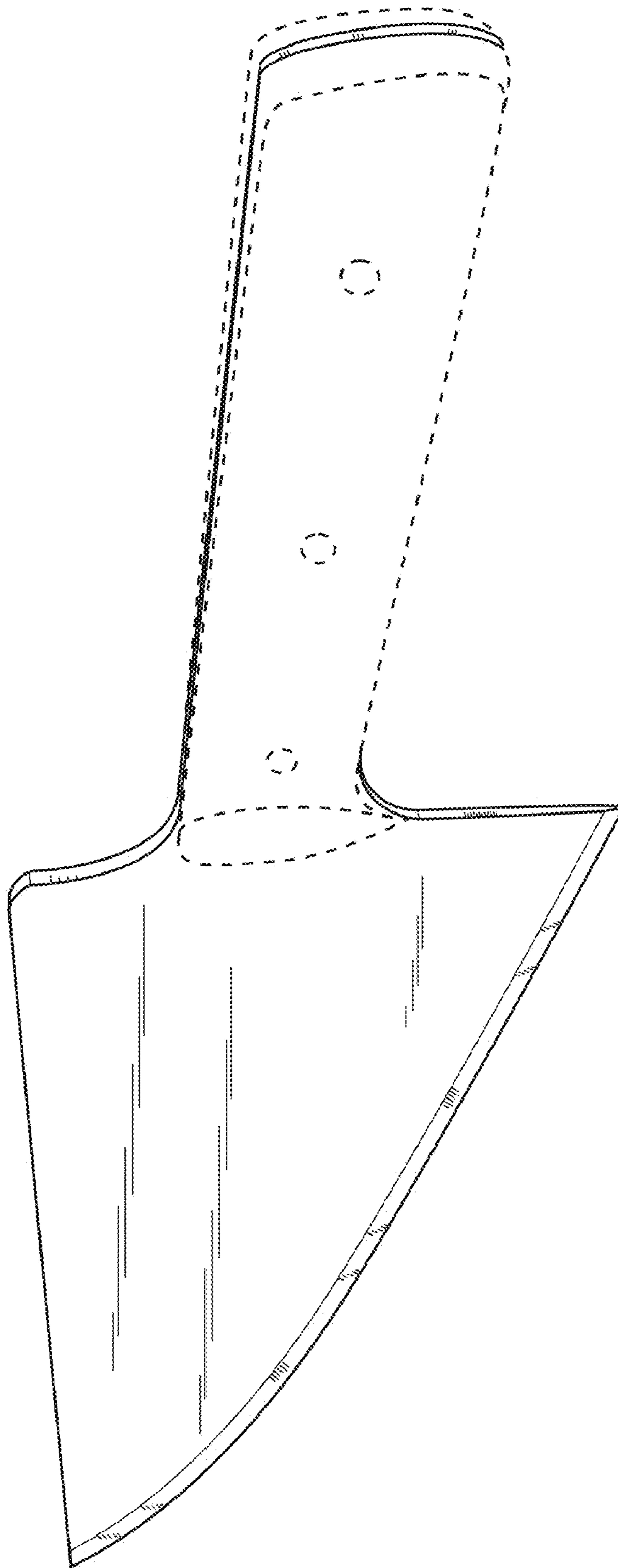


FIG. 1

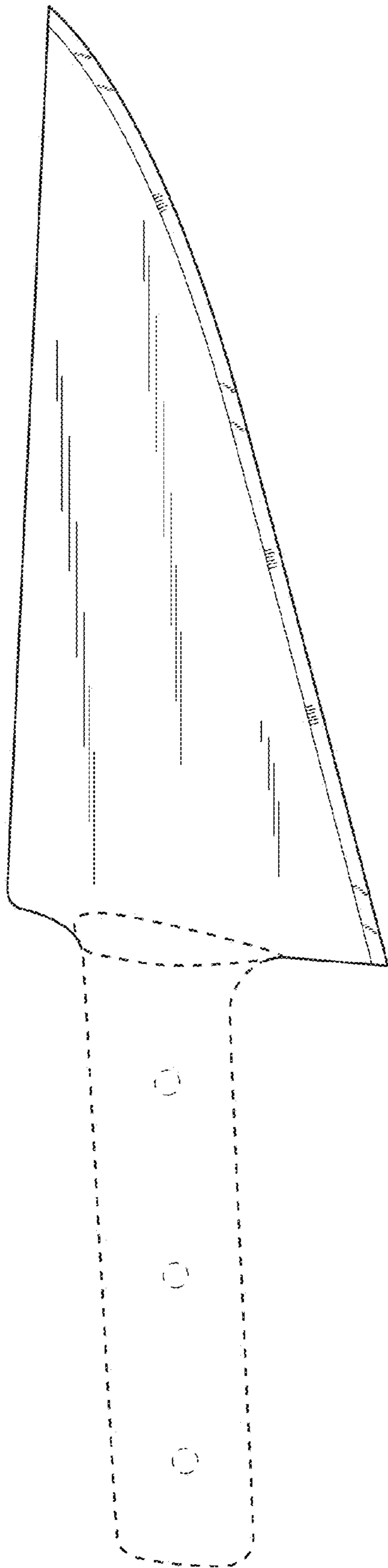


FIG. 2

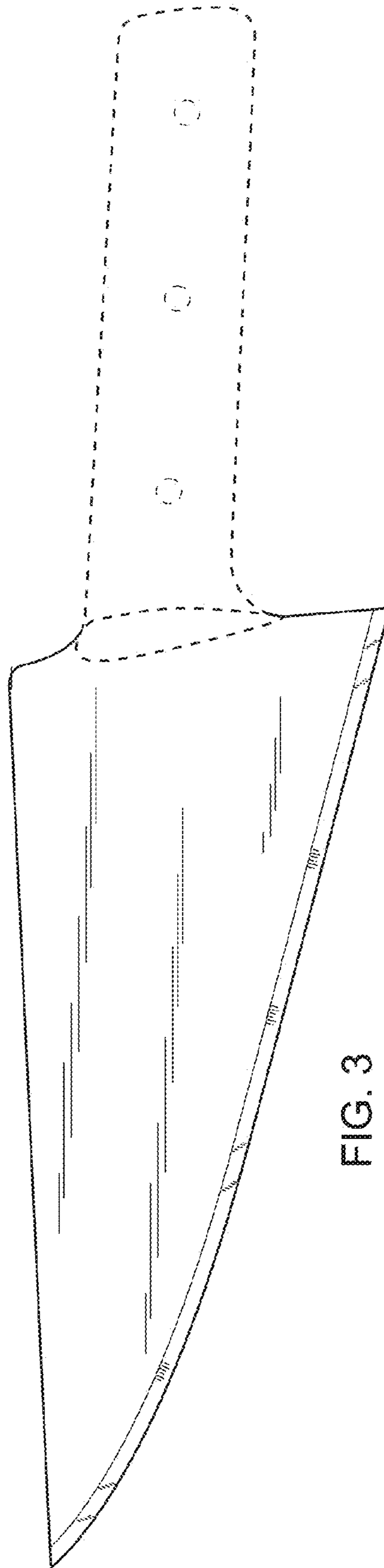


FIG. 3

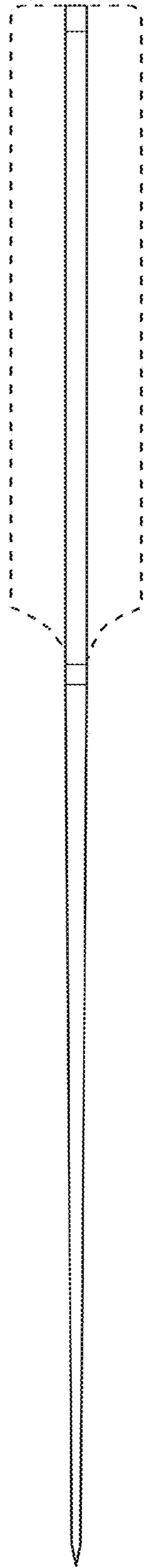


FIG. 4

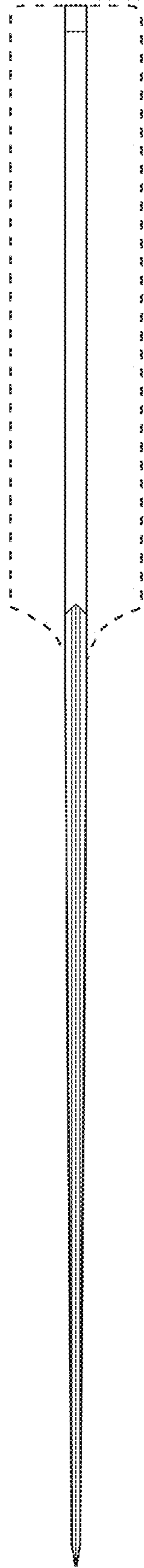


FIG. 5

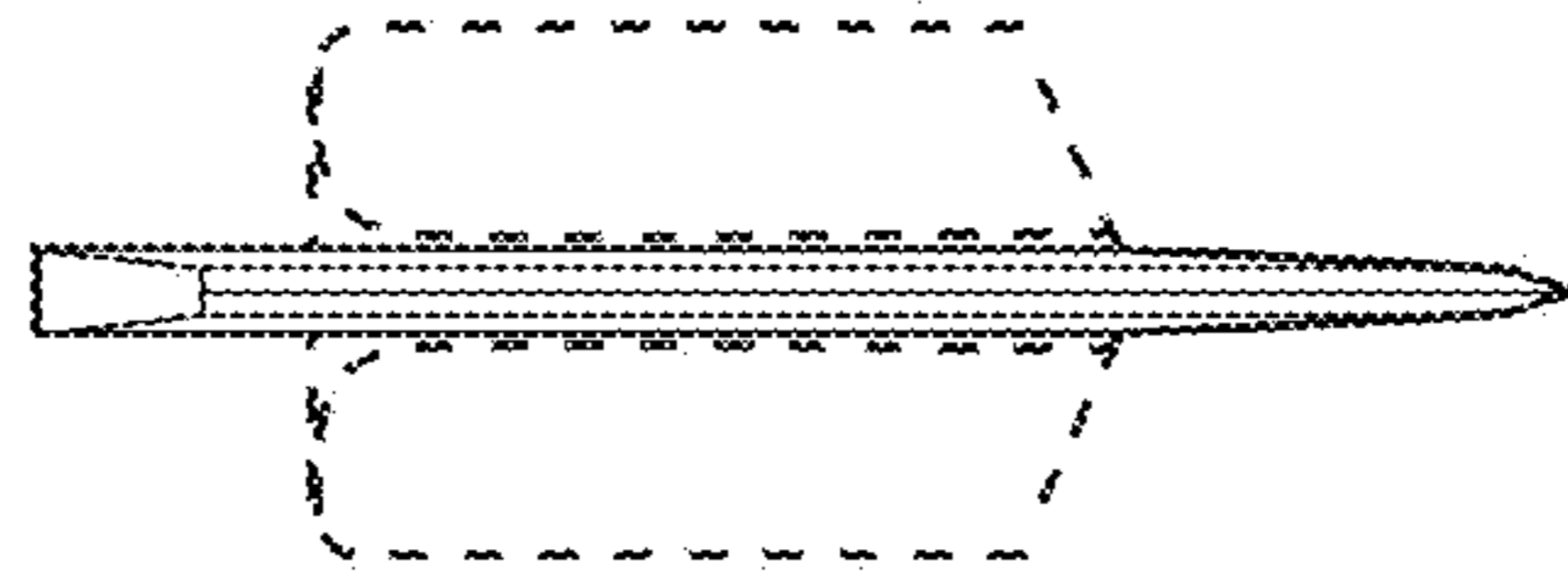


FIG. 7

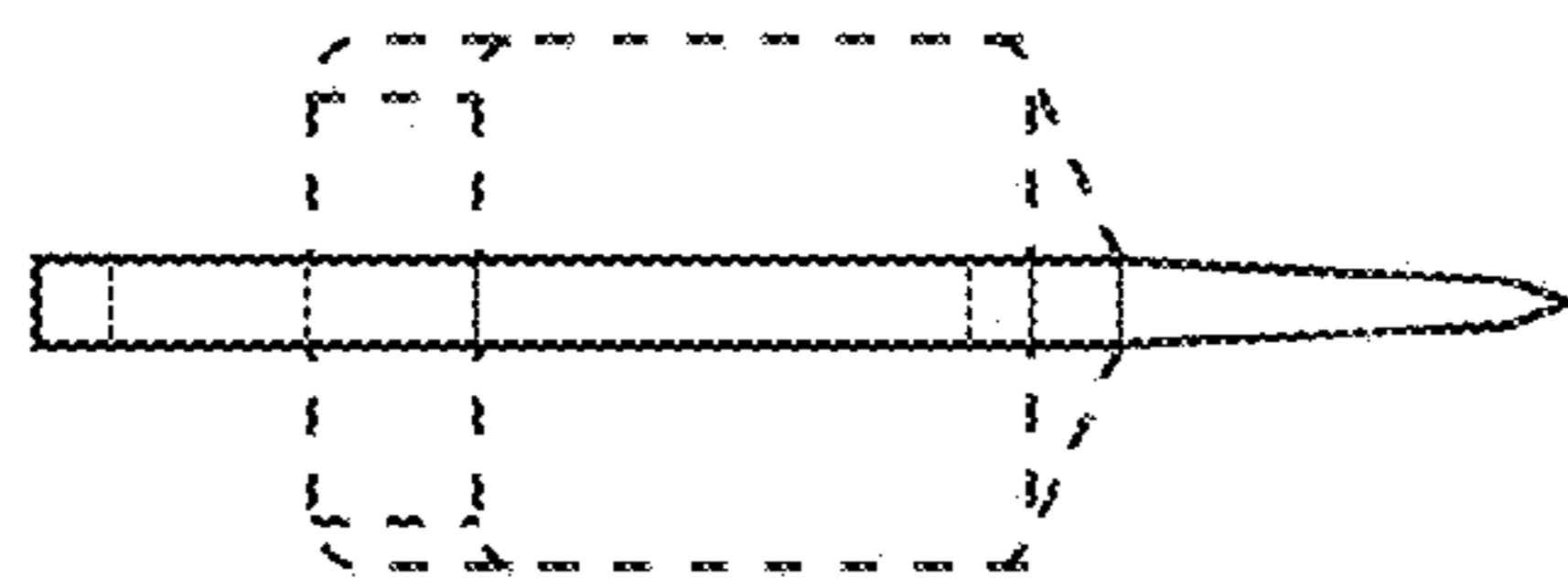


FIG. 6

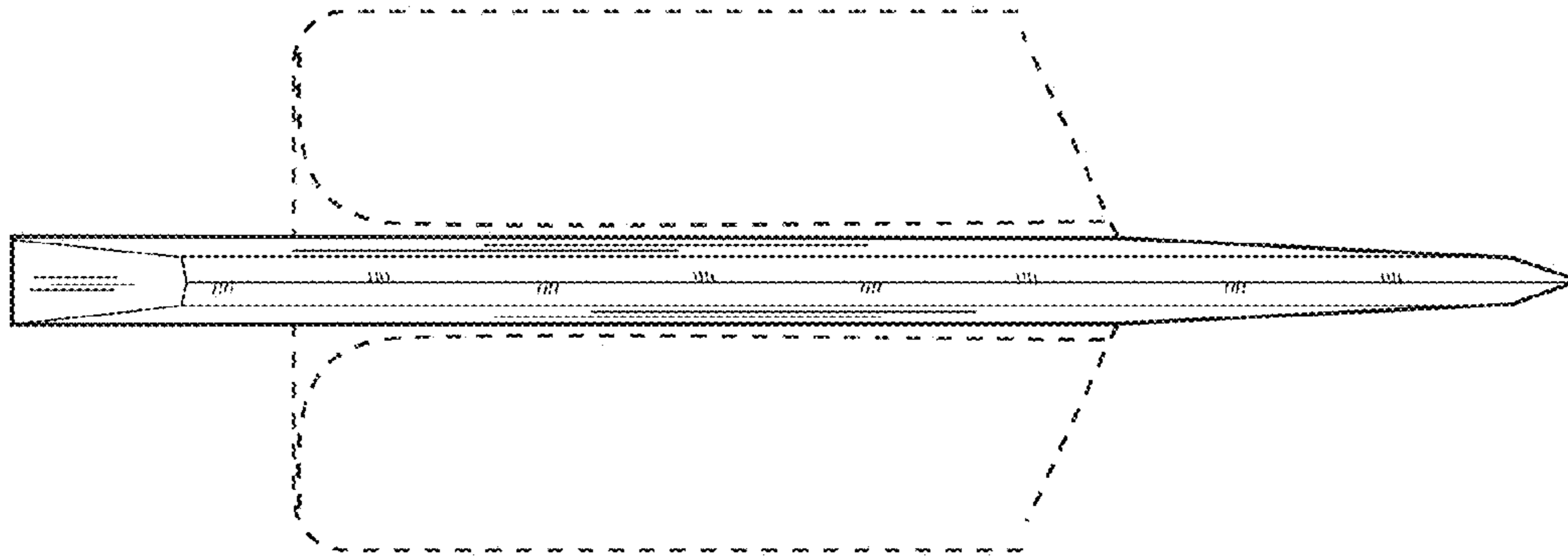


FIG. 9

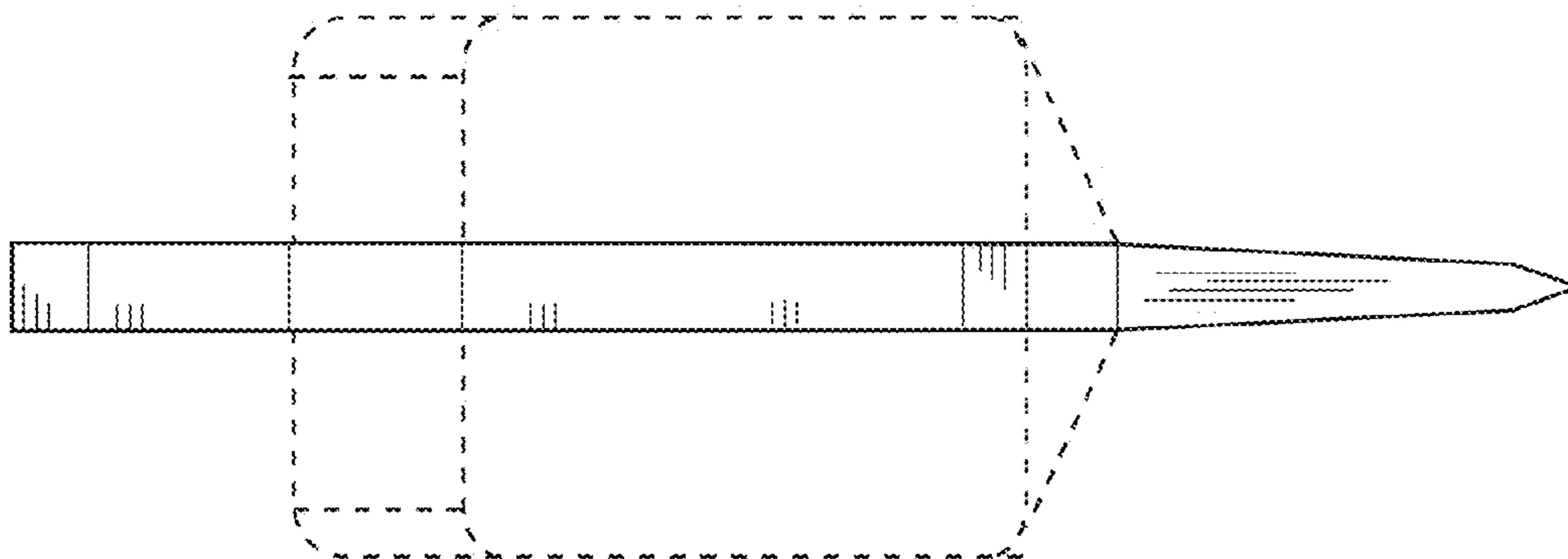


FIG. 8