



US00D678731S

(12) **United States Design Patent**
O'Neill

(10) **Patent No.:** **US D678,731 S**

(45) **Date of Patent:** **** Mar. 26, 2013**

(54) **SUCTIONING COLLAPSIBLE FOAM HOLDER**

(76) Inventor: **Heather C O'Neill**, Sarasota, FL (US)

(**) Term: **14 Years**

(21) Appl. No.: **29/391,572**

(22) Filed: **May 10, 2011**

(51) **LOC (9) Cl.** **07-06**

(52) **U.S. Cl.** **D7/624.2**

(58) **Field of Classification Search** D7/601-602,
D7/619.1, 624.1, 624.2, 388, 607, 620, 603;
D9/444, 455, 501, 517; D24/199; 215/11.6;
211/74; 220/592.16, 592.17, 737-739, 902-903,
220/483; 229/89-91; 224/559; 248/346.03,
248/346.11, 346.3

See application file for complete search history.

(56) **References Cited**

U.S. PATENT DOCUMENTS

D276,205	S	*	11/1984	Hewston	D7/607
4,540,611	A	*	9/1985	Henderson	428/12
D282,234	S	*	1/1986	Henderson	D7/608
6,123,220	A	*	9/2000	Williams	220/737

D453,449	S	*	2/2002	Williams	D7/624.2
7,337,915	B1	*	3/2008	Weldon	220/739
D589,757	S	*	4/2009	Mancha et al.	D7/624.2
D589,758	S	*	4/2009	Mancha et al.	D7/624.2
D590,212	S	*	4/2009	Mancha et al.	D7/624.2

* cited by examiner

Primary Examiner — Ian Simmons

Assistant Examiner — Dana L Meyrow

(74) *Attorney, Agent, or Firm* — Dorothy S. Morse

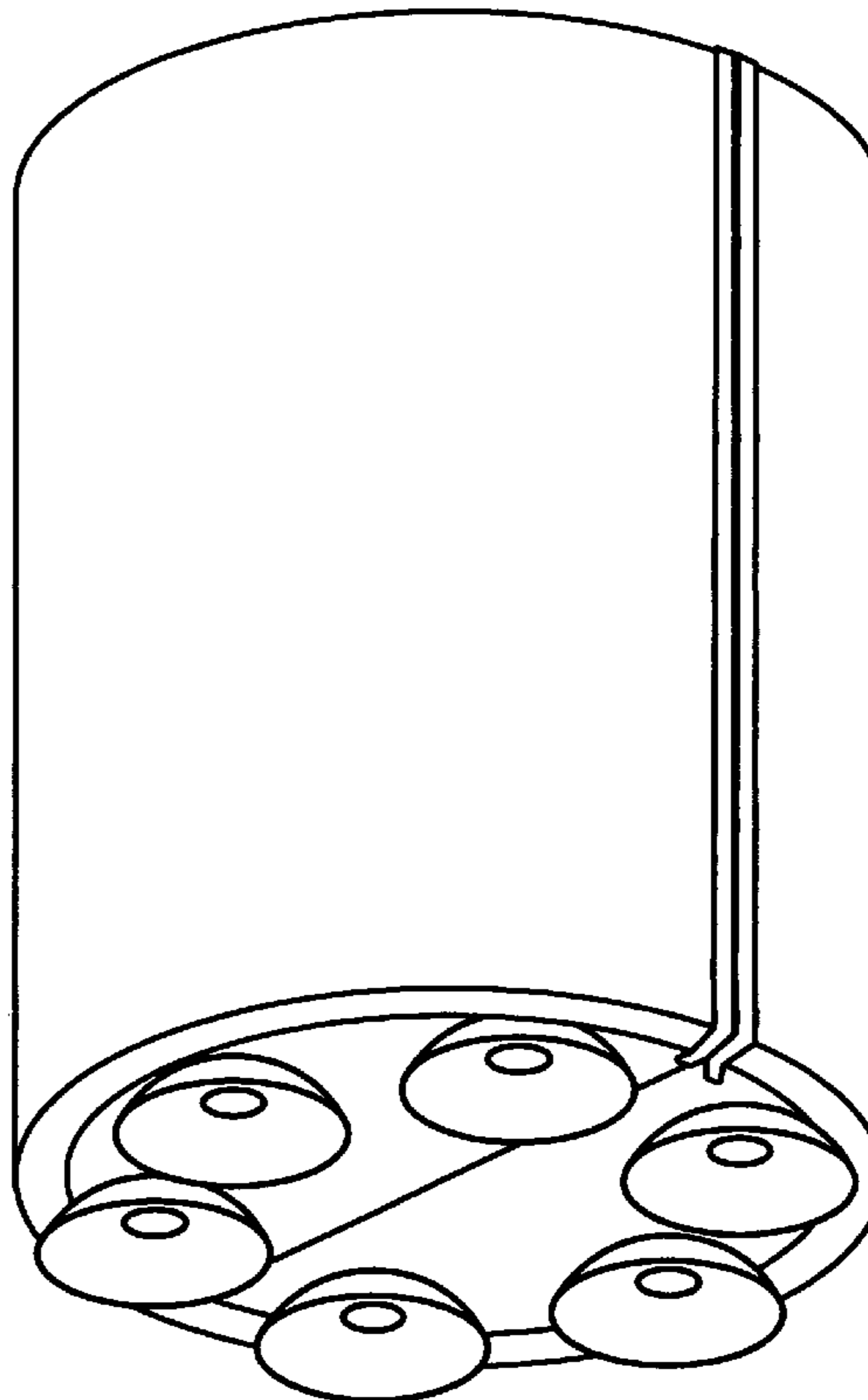
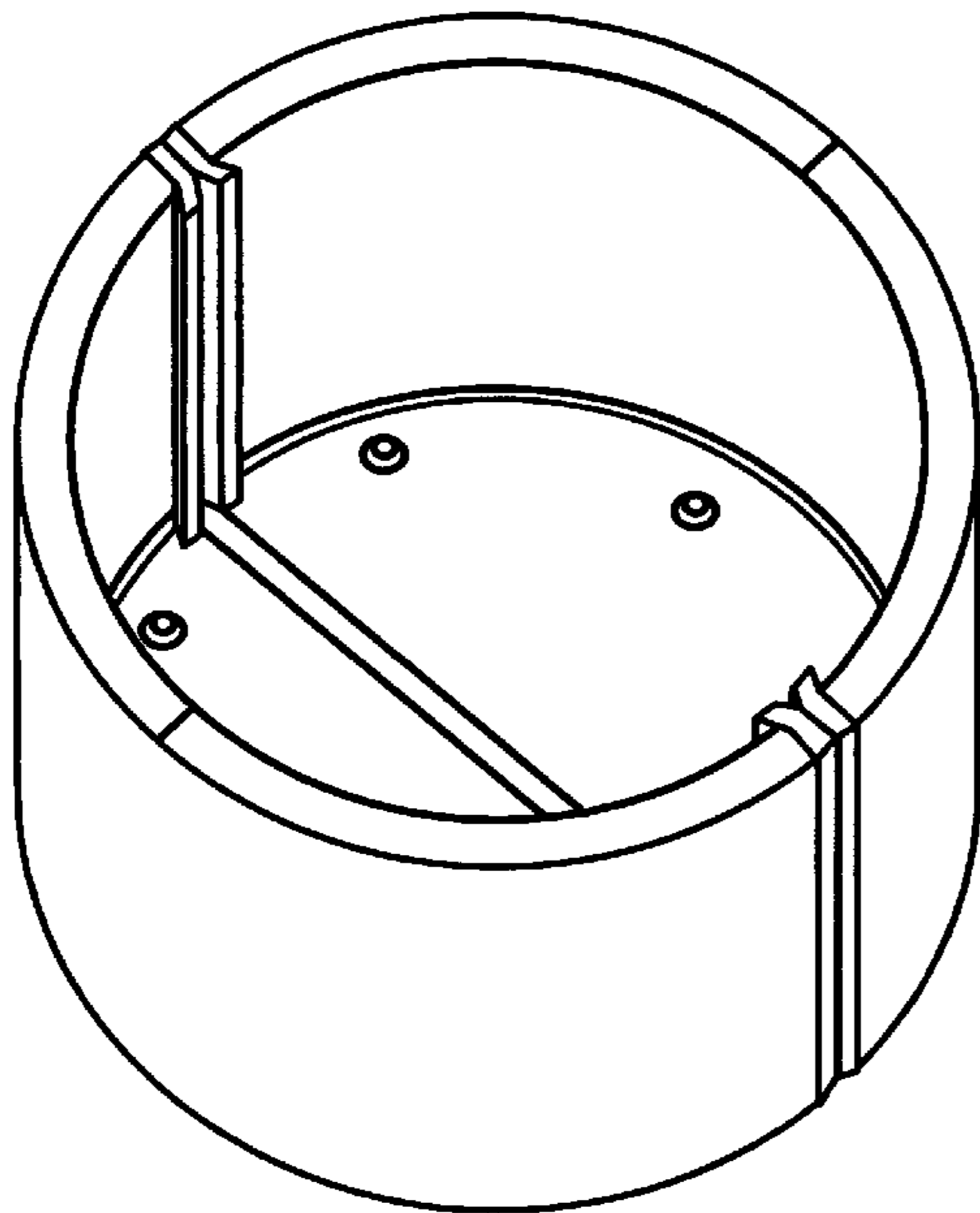
(57) **CLAIM**

The ornamental design for a suctioning collapsible foam holder, as shown and described.

DESCRIPTION

FIG. 1 is a perspective view from the top of a suctioning collapsible foam holder according to my new design; FIG. 2 is a side view thereof; FIG. 3 is a side view thereof rotated 90-degrees from the view in FIG. 2; FIG. 4 is perspective view from the bottom thereof; and, FIG. 5 is a bottom view thereof.

1 Claim, 5 Drawing Sheets



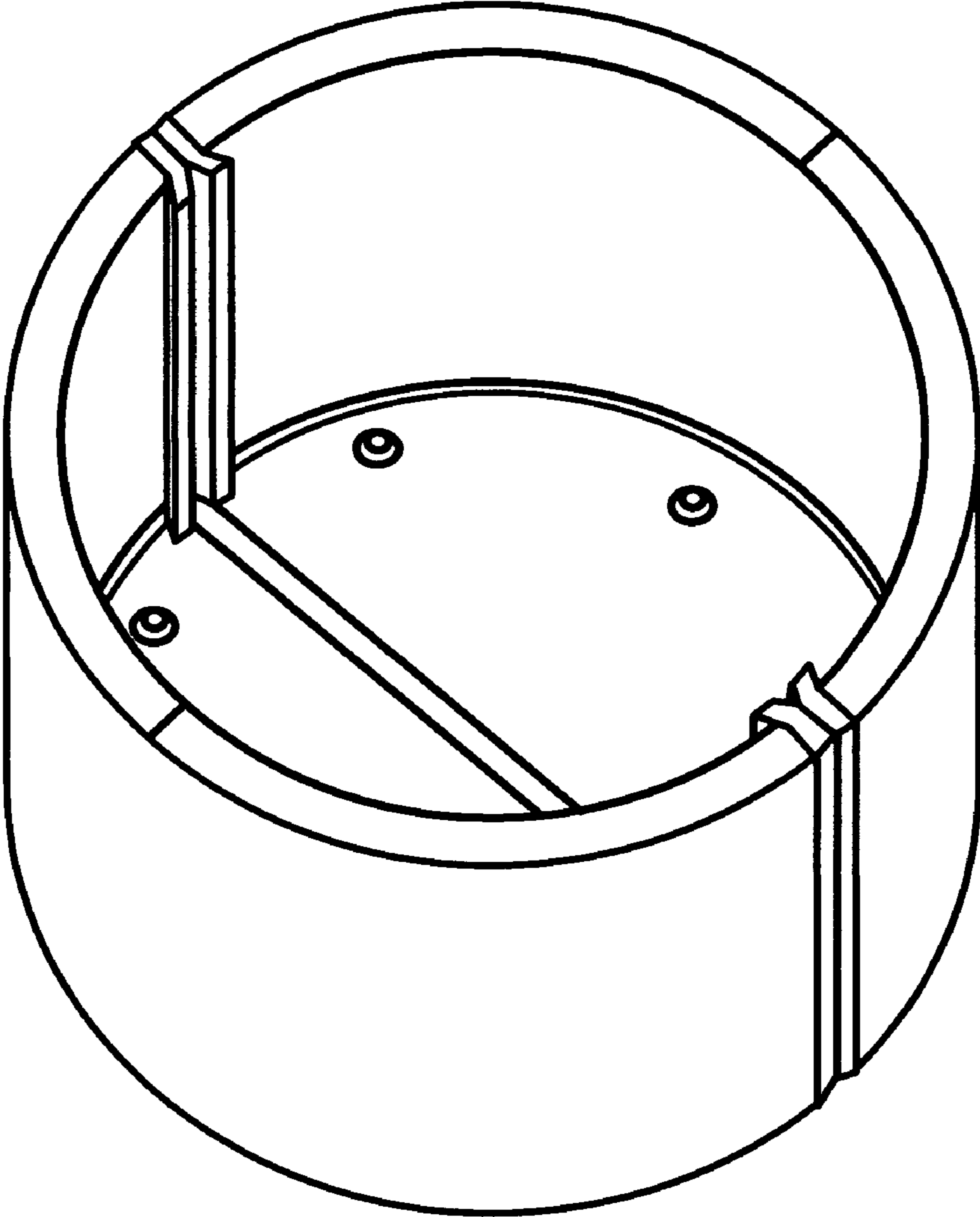


FIG. 1

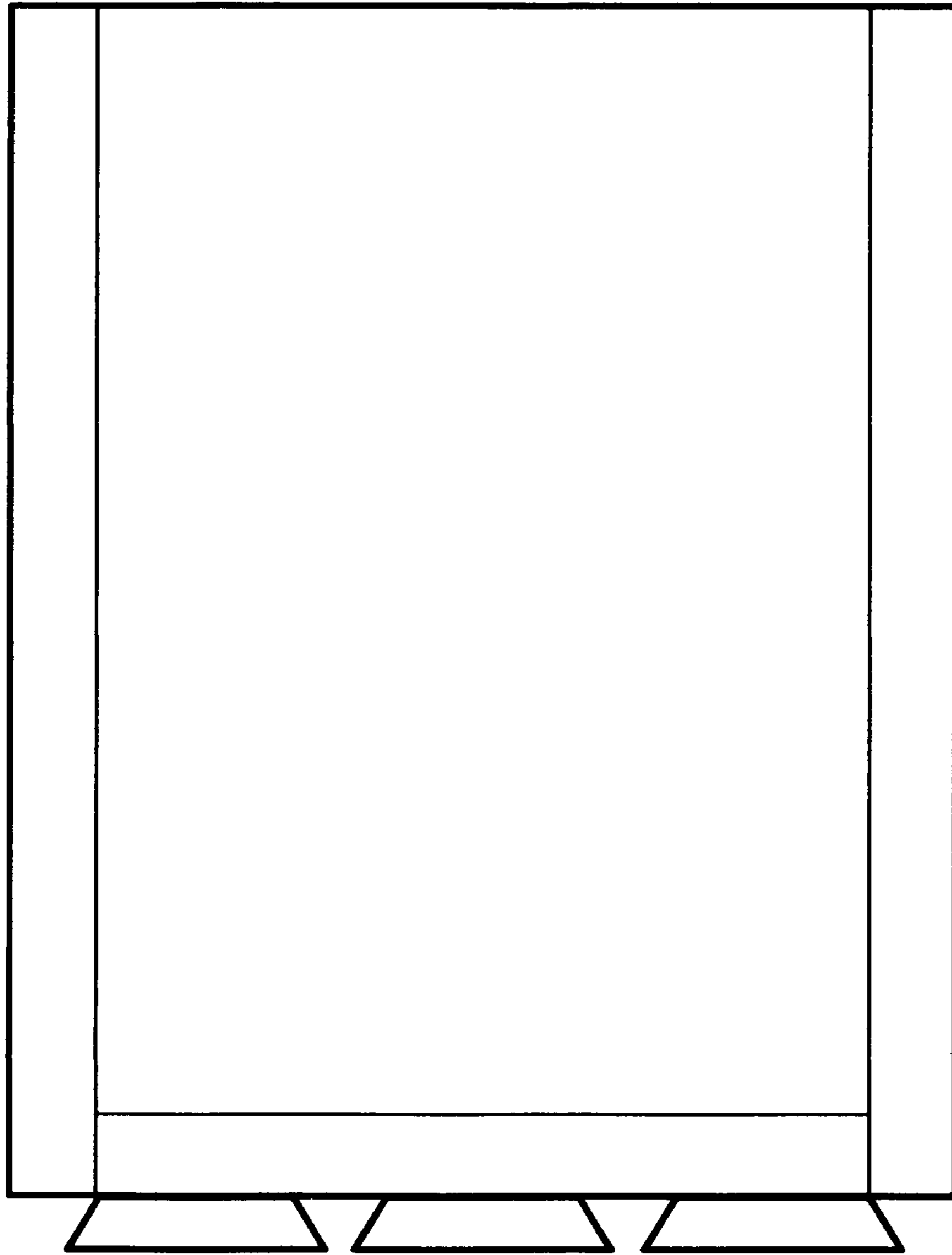


FIG. 2

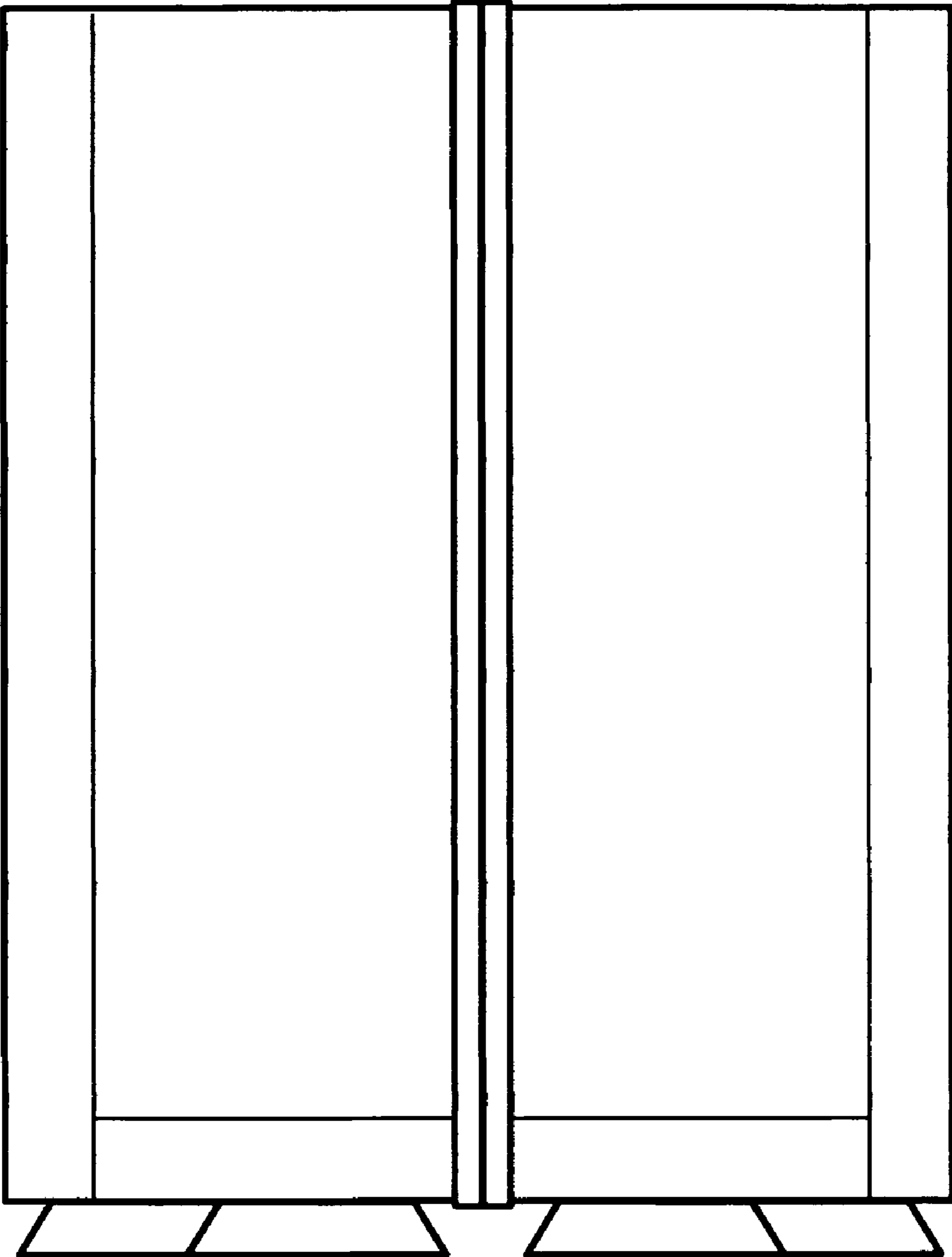


FIG. 3

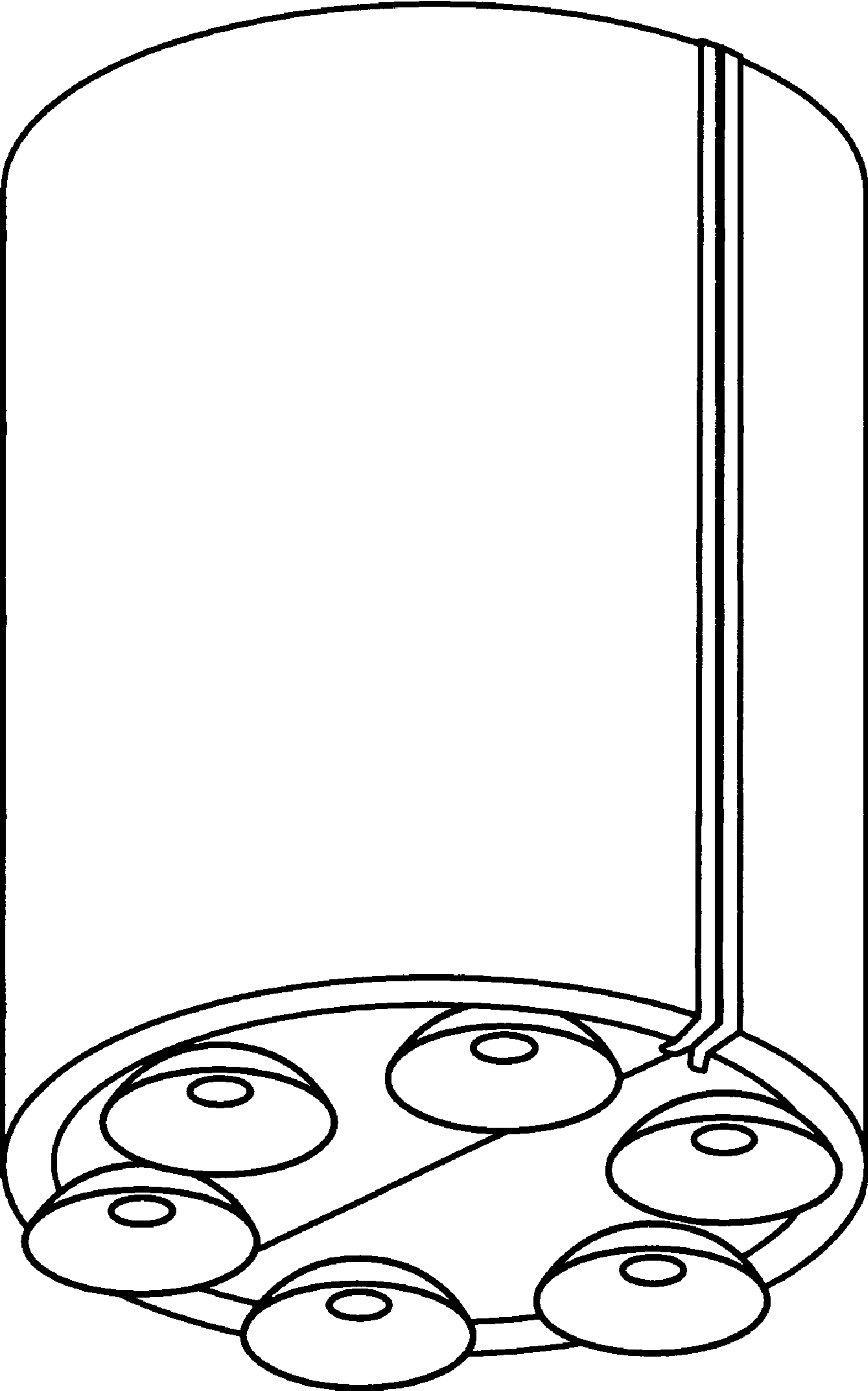


FIG. 4

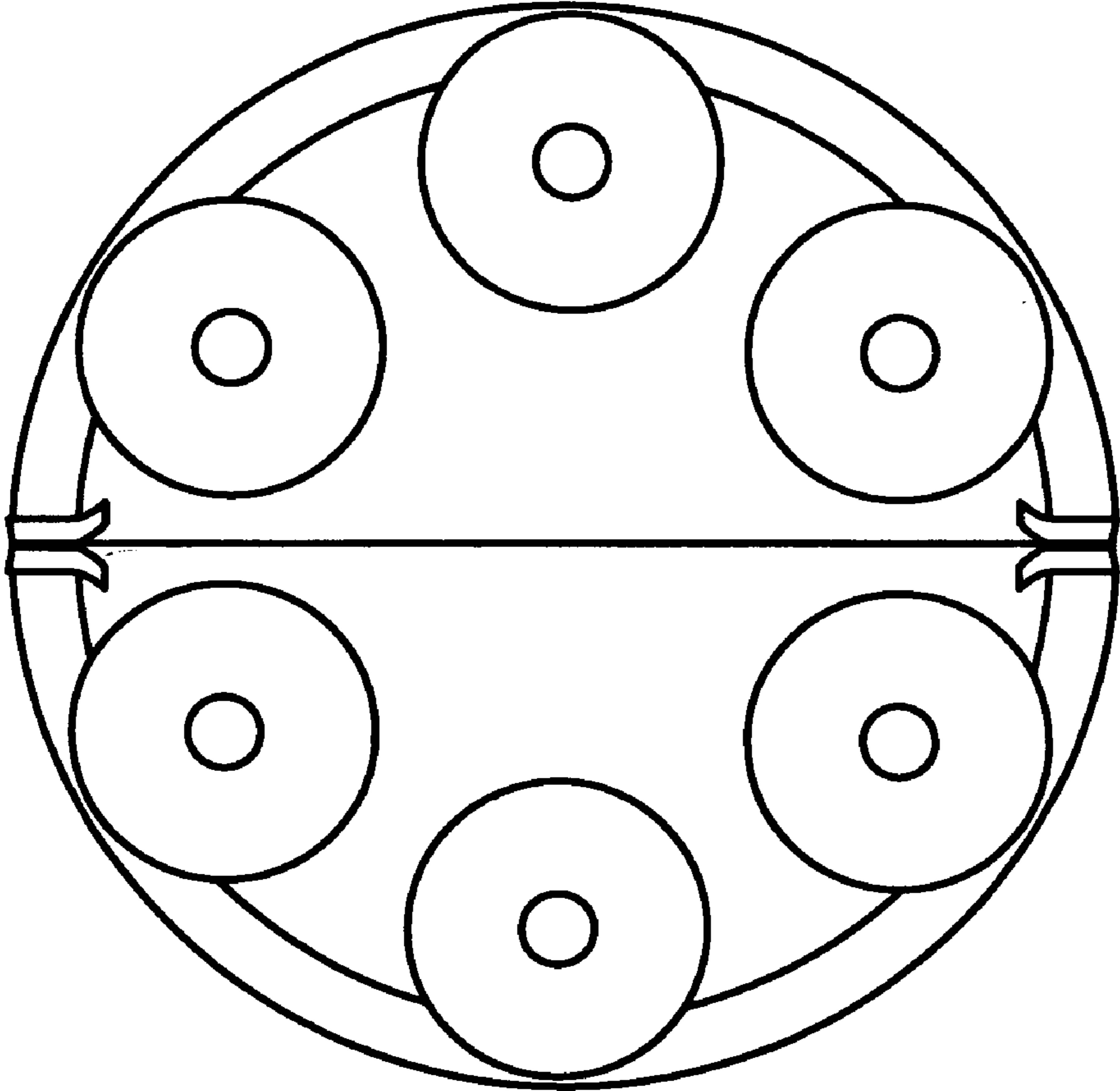


FIG. 5