



US00D678730S

(12) **United States Design Patent**
Stewart

(10) **Patent No.:** **US D678,730 S**
(45) **Date of Patent:** **** Mar. 26, 2013**

- (54) **CUPCAKE CARRIER**
- (75) Inventor: **Brittany L. Stewart**, Nashville, TN (US)
- (73) Assignee: **Fox Run USA, LLC**, Ivyland, PA (US)
- (**) Term: **14 Years**
- (21) Appl. No.: **29/416,334**
- (22) Filed: **Mar. 21, 2012**
- (51) **LOC (9) Cl.** **07-06**
- (52) **U.S. Cl.** **D7/610**
- (58) **Field of Classification Search** D7/610,
D7/629; 206/519, 493, 557-567, 499, 508,
206/509, 675; 426/124, 128; 220/573.1-573.4,
220/4.27, 529, 660, 675, 574-575; 229/117.14,
229/117.13, 117.09, 117.02, 116.1
See application file for complete search history.

5,967,323 A *	10/1999	Siragusa	206/499
6,003,671 A *	12/1999	McDonough et al.	206/493
6,153,237 A *	11/2000	Ferguson	426/115
D515,363 S *	2/2006	Driggers et al.	D7/610
D522,813 S *	6/2006	Swinford et al.	D7/610
D601,860 S *	10/2009	Madagan	D7/610
D604,109 S *	11/2009	Madagan	D7/610
D609,979 S *	2/2010	Soibel et al.	D7/629

* cited by examiner

Primary Examiner — Terry Wallace

(74) *Attorney, Agent, or Firm* — Gregor N. Neff

(57) **CLAIM**

The ornamental design for a cupcake carrier, as shown and described.

DESCRIPTION

FIG. 1 is a perspective view of the carrier;
FIG. 2 is a top plan view of the carrier; and,
FIG. 3 is a front elevation view of the carrier.

The rear elevation view of the carrier would be substantially the same as that shown in FIG. 3 because the construction of the carrier is symmetrical. The bottom surface of the carrier is unadorned.

The broken lines are for illustrative purposes only and form no part of the claimed design.

1 Claim, 2 Drawing Sheets

(56) **References Cited**

U.S. PATENT DOCUMENTS

4,197,940 A *	4/1980	DeRossett	220/780
D356,716 S *	3/1995	Dornbush et al.	D7/357
5,676,252 A *	10/1997	Lillelund et al.	206/551
D400,055 S *	10/1998	McFadzean	D7/610
D405,651 S *	2/1999	Schmidt	D7/610

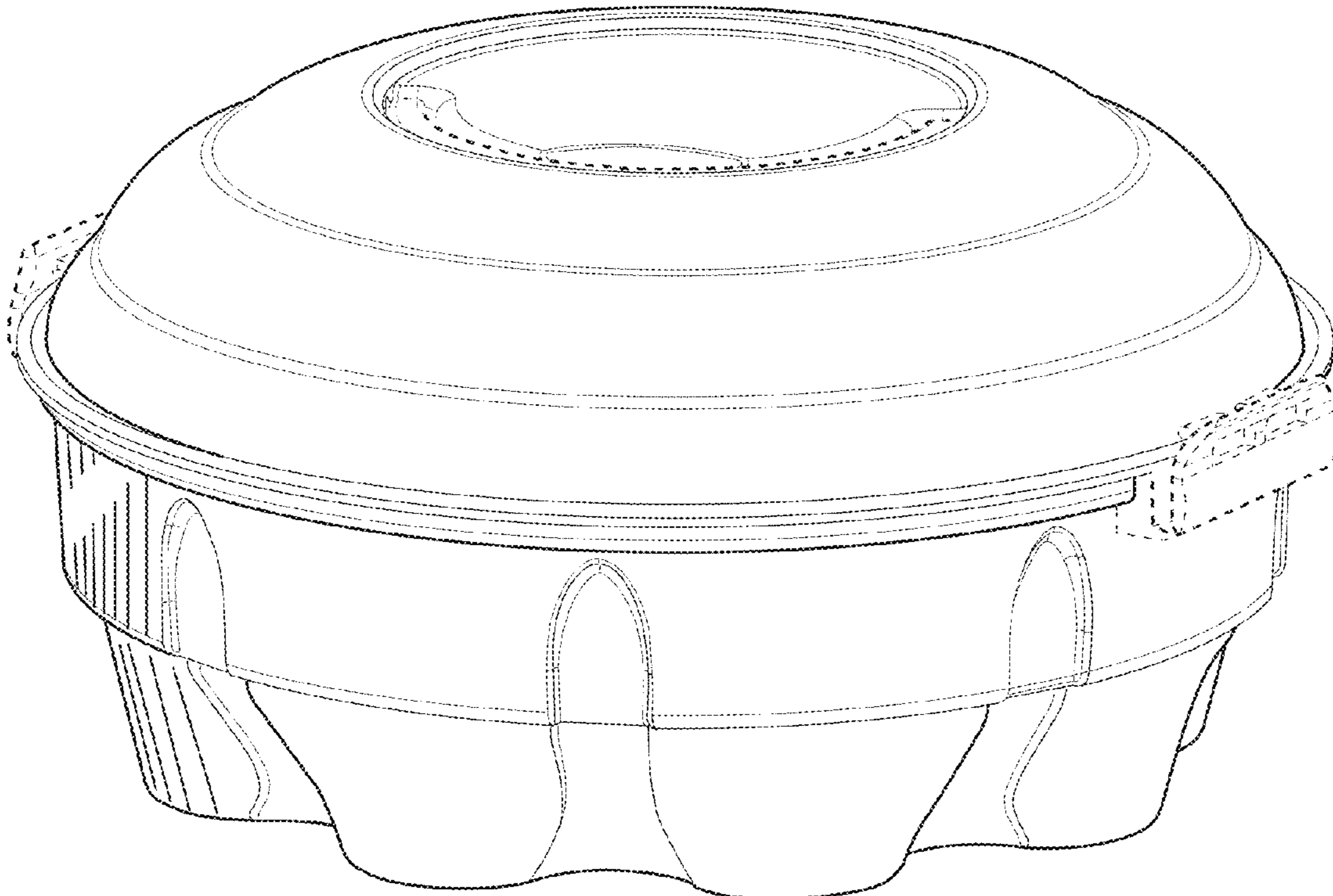
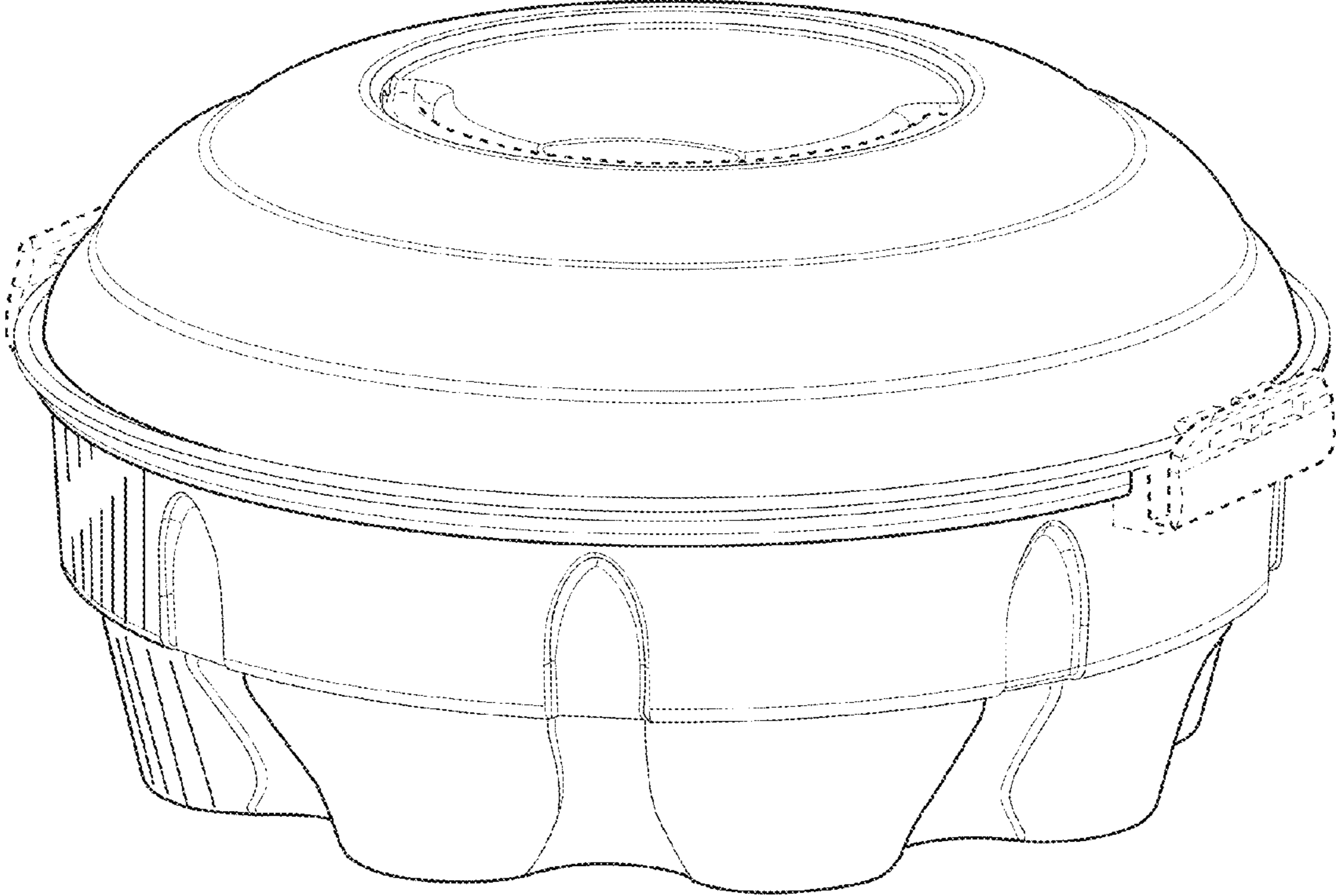


Fig. 1



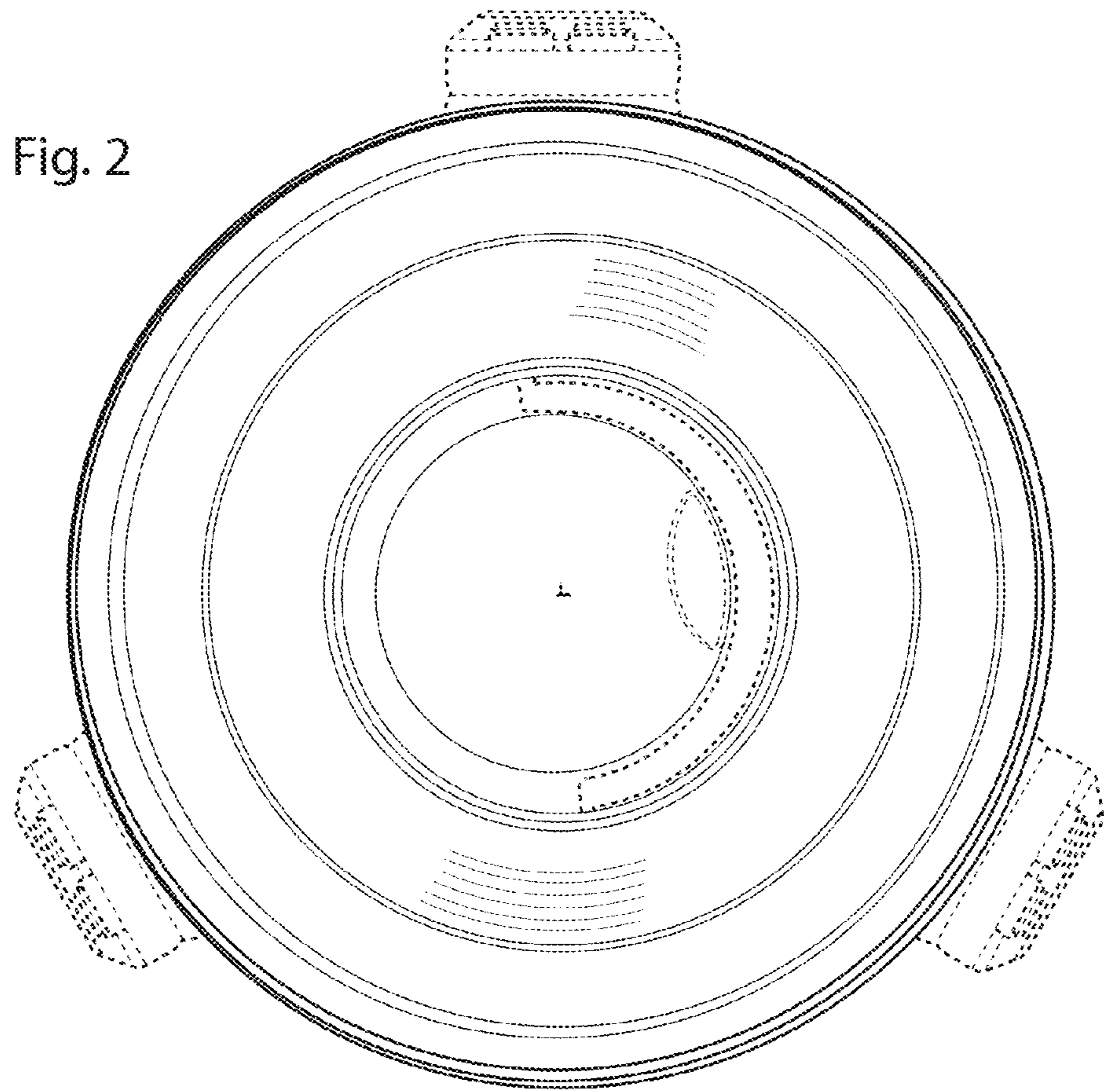


Fig. 3

