

US00D678729S

(12) **United States Design Patent**  
**Peeters et al.**

(10) **Patent No.:** **US D678,729 S**  
(45) **Date of Patent:** **\*\* Mar. 26, 2013**

(54) **CAN COOLER**

(76) Inventors: **Robert J Peeters**, Fraser, CO (US); **Eric R. Potter**, Fraser, CO (US)

(\*\*) Term: **14 Years**

(21) Appl. No.: **29/430,644**

(22) Filed: **Aug. 28, 2012**

(51) **LOC (9) Cl.** ..... **07-01**

(52) **U.S. Cl.** ..... **D7/608**

(58) **Field of Classification Search** ..... D7/602-608,  
D7/619.1-625; 220/737-739, 902, 903;  
215/392-398; 62/457.1-457.9, 371, 372;  
211/71.01, 74; 248/311.2

See application file for complete search history.

(56) **References Cited**

U.S. PATENT DOCUMENTS

4,040,549	A *	8/1977	Sadler	.....	220/737
4,127,211	A *	11/1978	Zerbey	.....	215/398
4,974,741	A *	12/1990	Gustafson et al.	.....	220/739
D358,071	S *	5/1995	Gill	.....	D7/605
D530,159	S *	10/2006	Brunson	.....	D7/624.2
2011/0127283	A1 *	6/2011	Delucia	.....	220/739

\* cited by examiner

*Primary Examiner* — Terry Wallace

(74) *Attorney, Agent, or Firm* — Patent Law Offices of Rick Martin, P.C.

(57) **CLAIM**

The ornamental design for a can cooler, as shown and described.

**DESCRIPTION**

FIG. 1 is a top perspective view of our new design for a can cooler with the top attached to a can;

FIG. 2 is a right side elevation view of our invention with the top attached to a can;

FIG. 3 is a top plan view of our new invention with the top attached to a can;

FIG. 4 is a bottom plan view of our new invention with the top attached to a can;

FIG. 5 is a rear elevation view of our new invention with the top attached to a can;

FIG. 6 is a front elevation view of our new invention with the top attached to a can;

FIG. 7 is a top perspective view of our new invention with the top removed from the can;

FIG. 8 is a bottom plan view of our new invention with the top removed from the can;

FIG. 9 is a rear elevation view of our new invention with the top removed from the can;

FIG. 10 is a bottom perspective view of our new invention with the top removed from the can; and,

FIG. 11 is a top perspective view of our new invention with the top removed from the can.

The broken lines indicating a can are for purposes of illustrating a use and form no part of the claimed design.

**1 Claim, 6 Drawing Sheets**

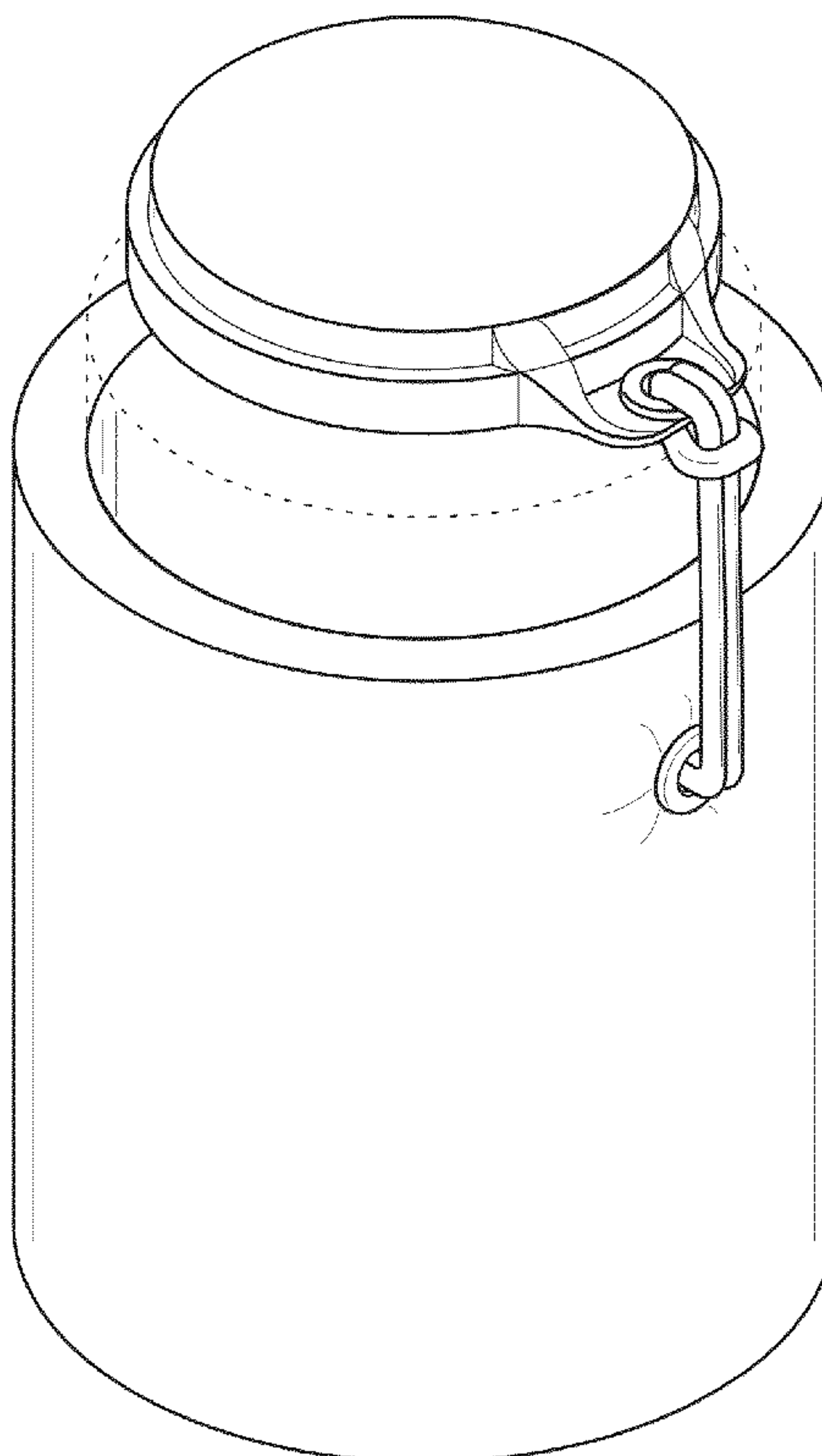


Fig 2

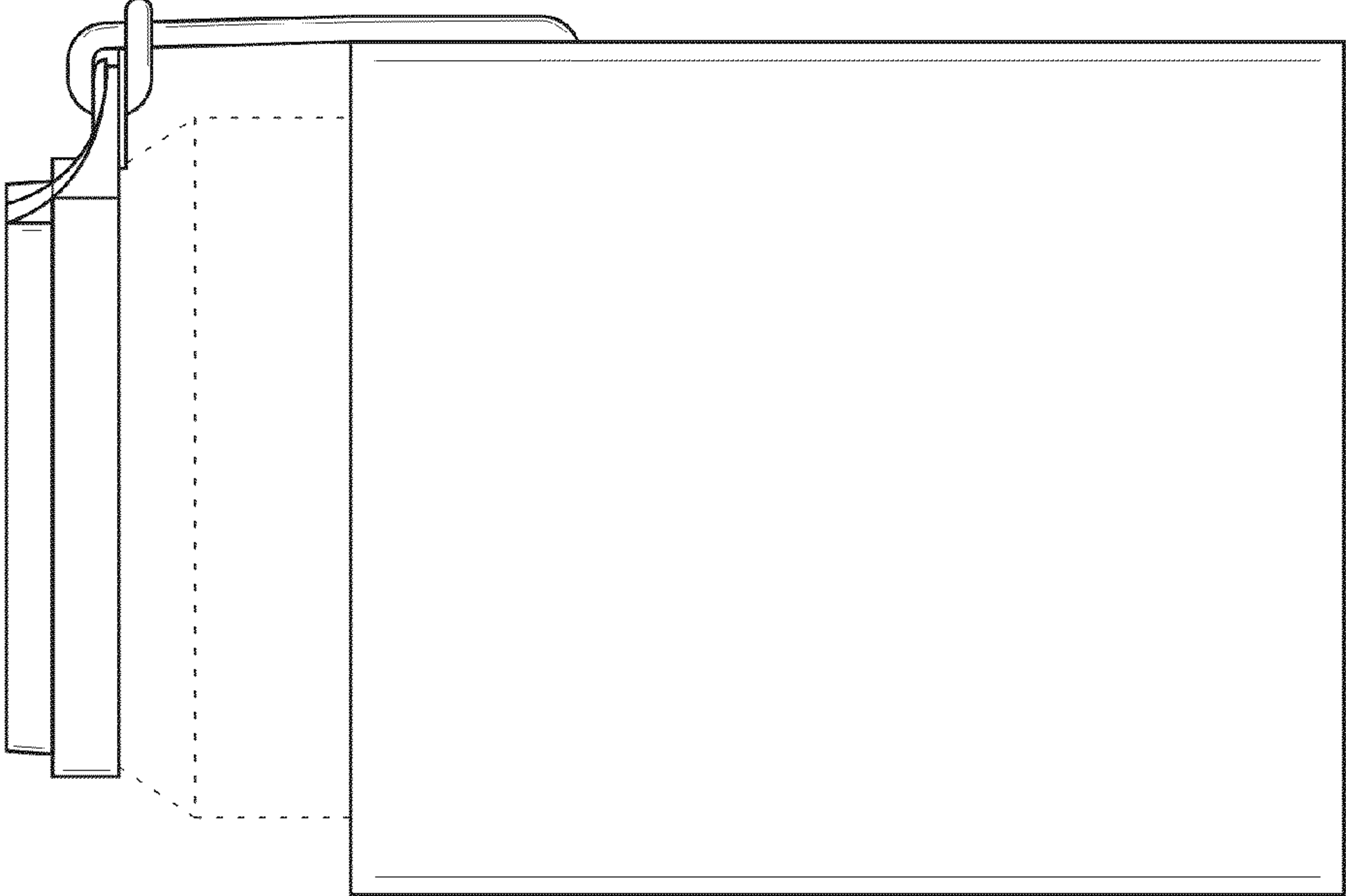


Fig 1

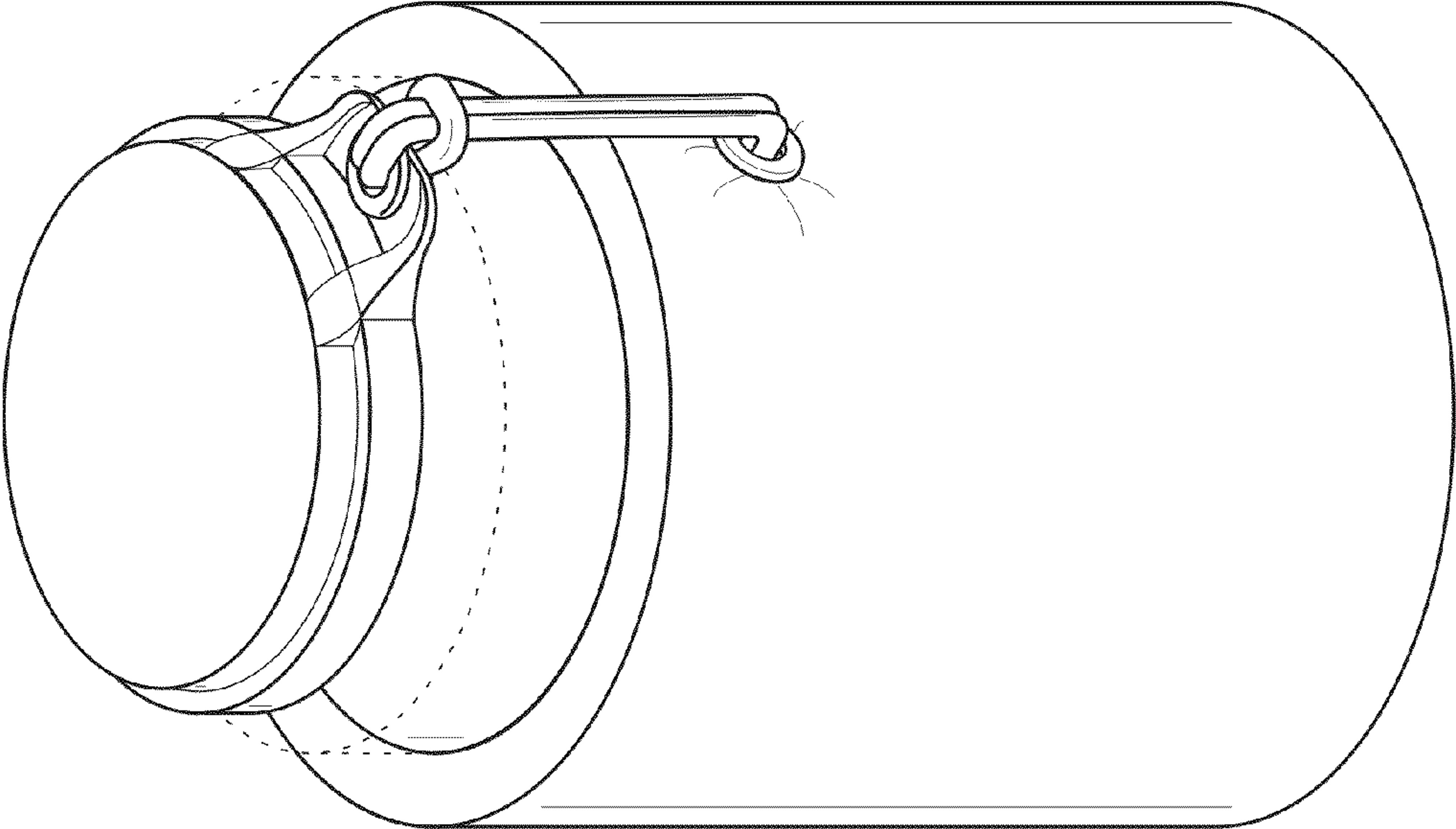


Fig 3

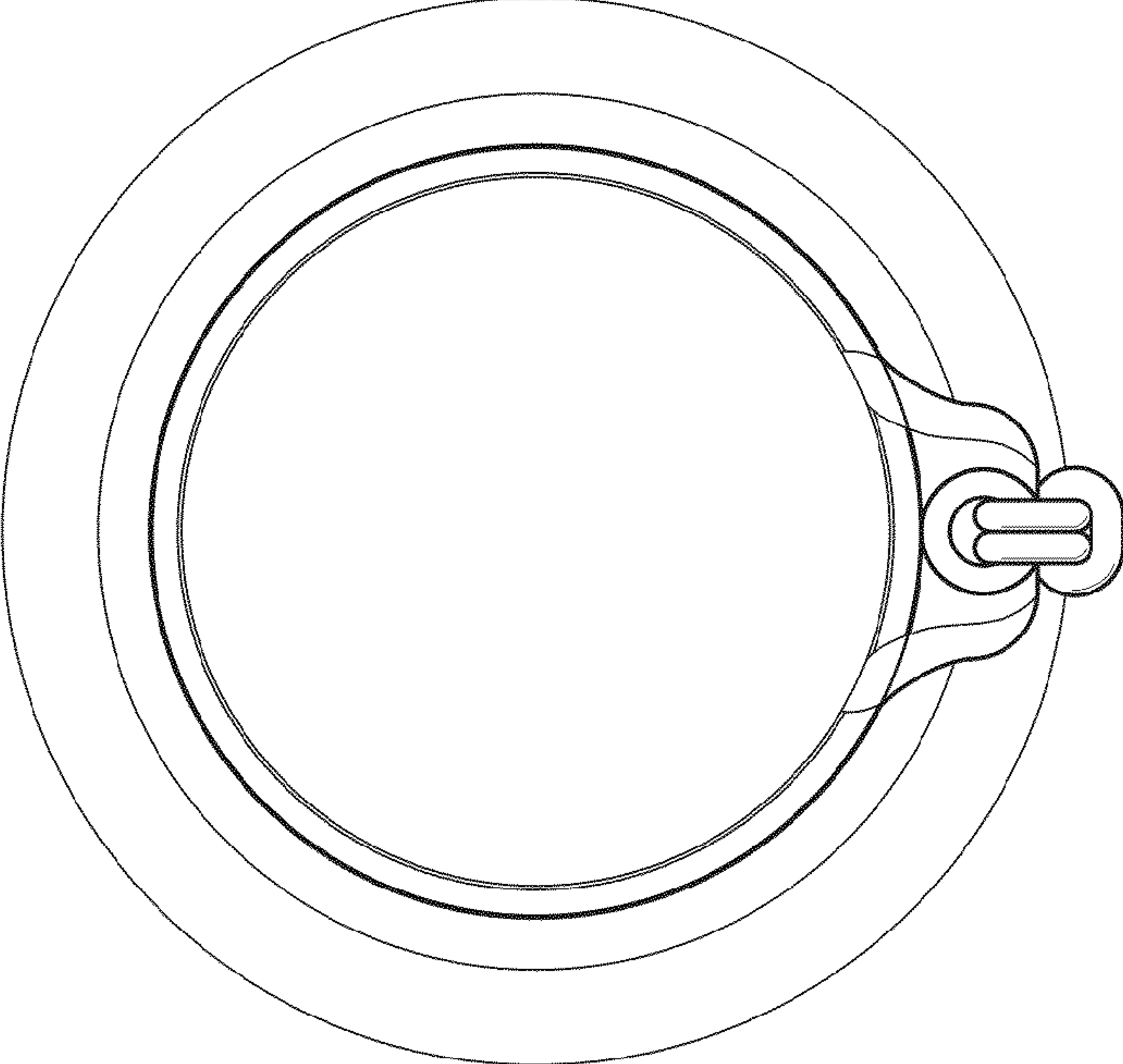


Fig 4

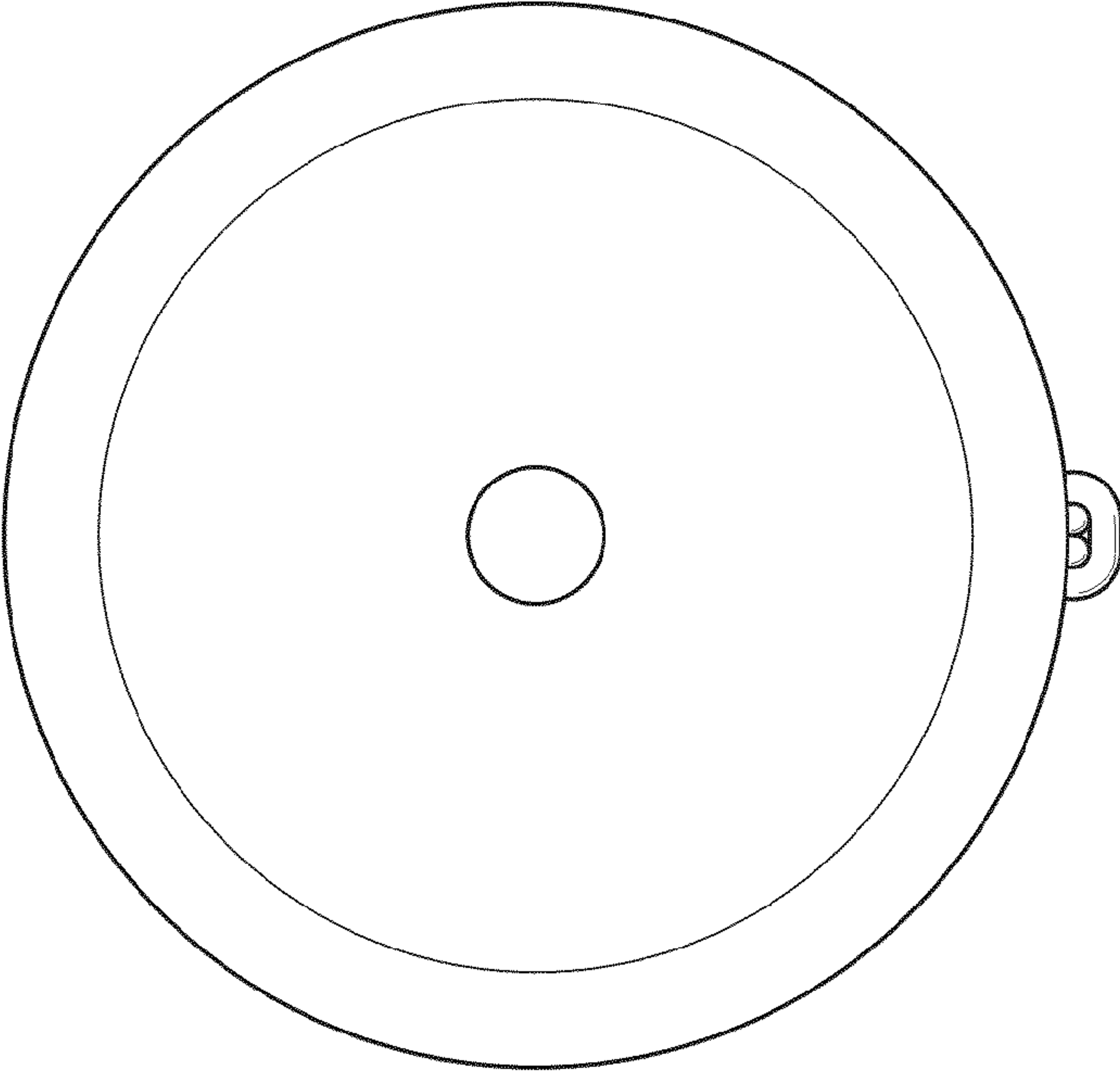


Fig 6

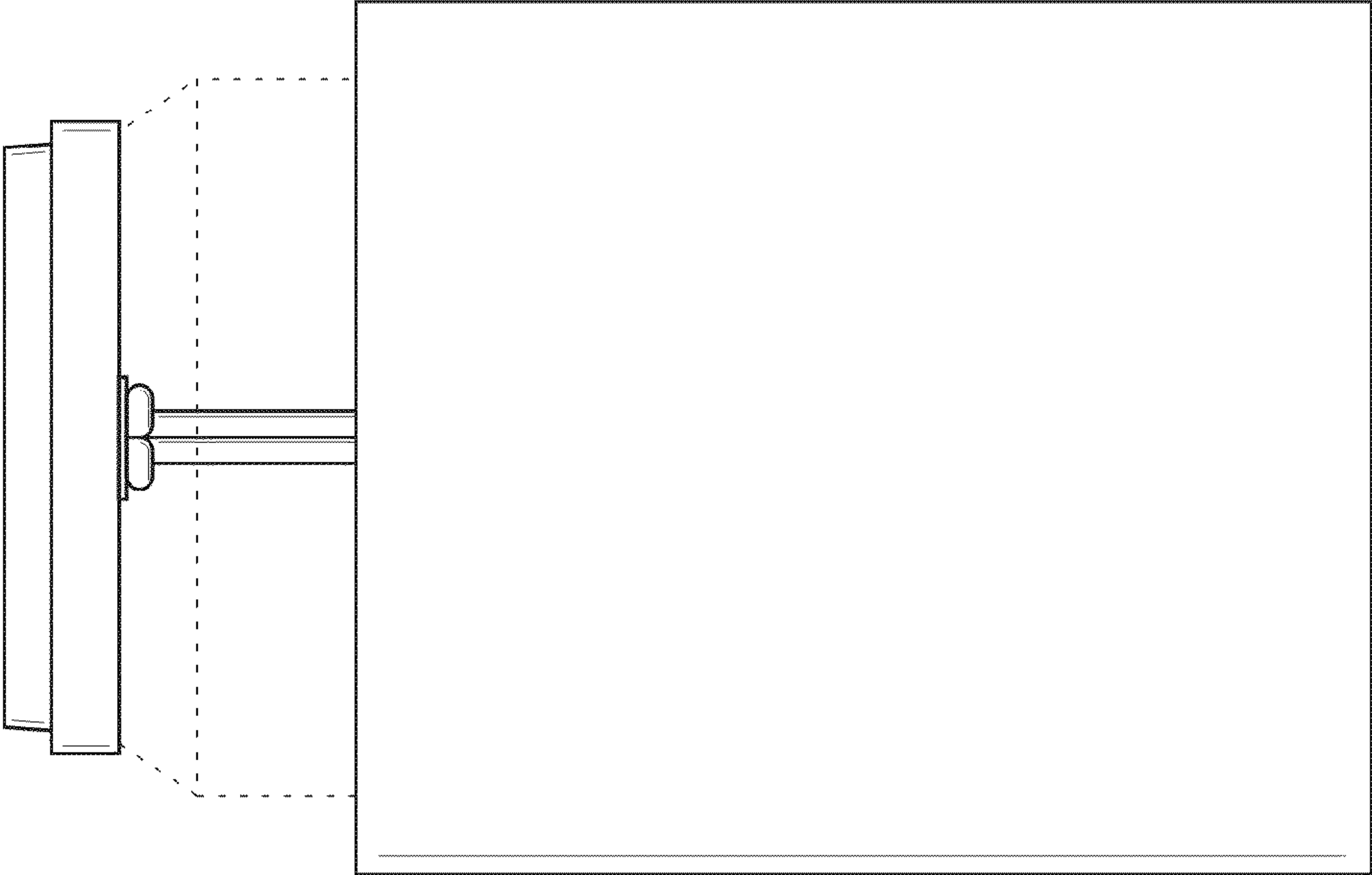
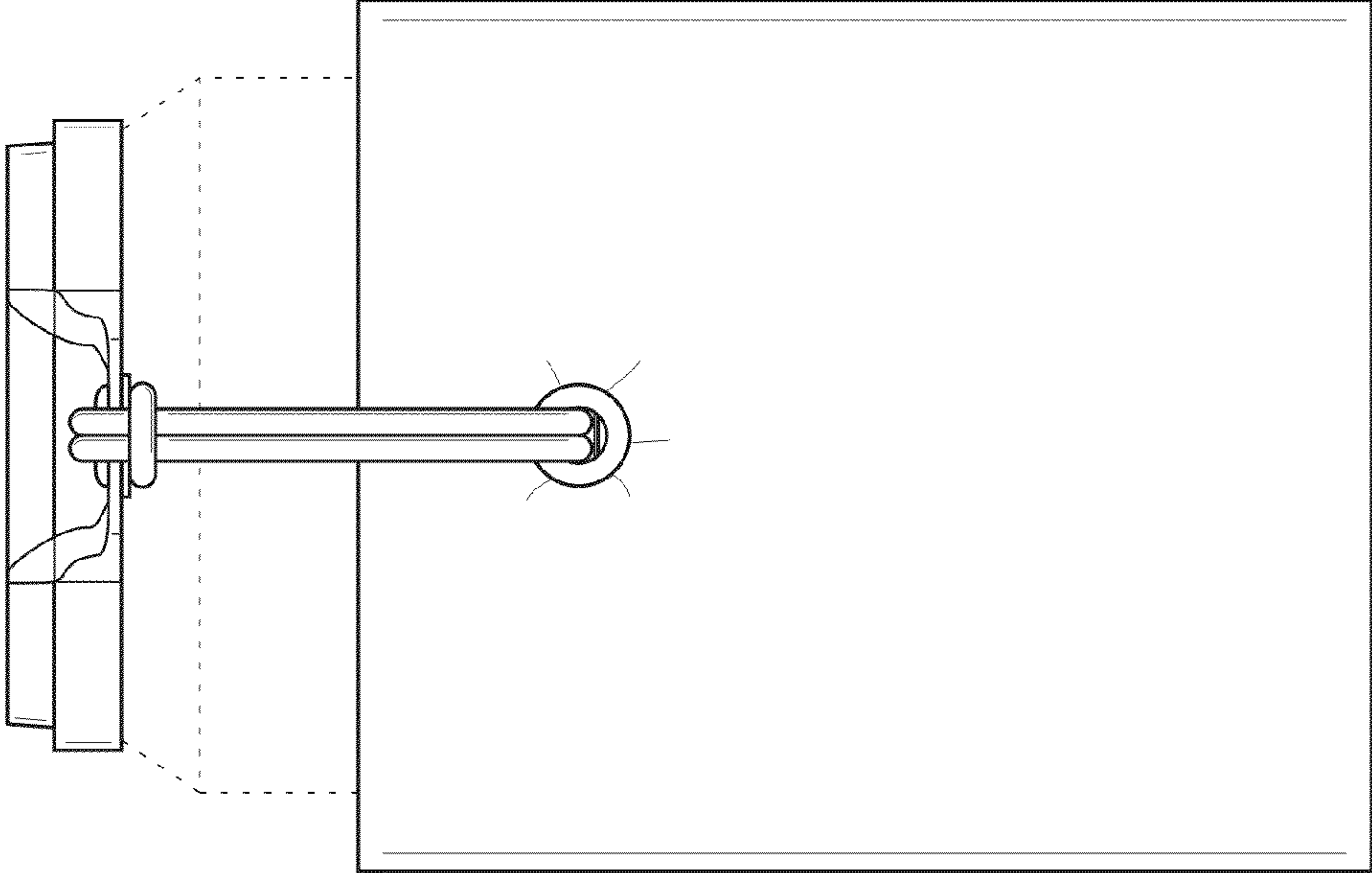


Fig 5



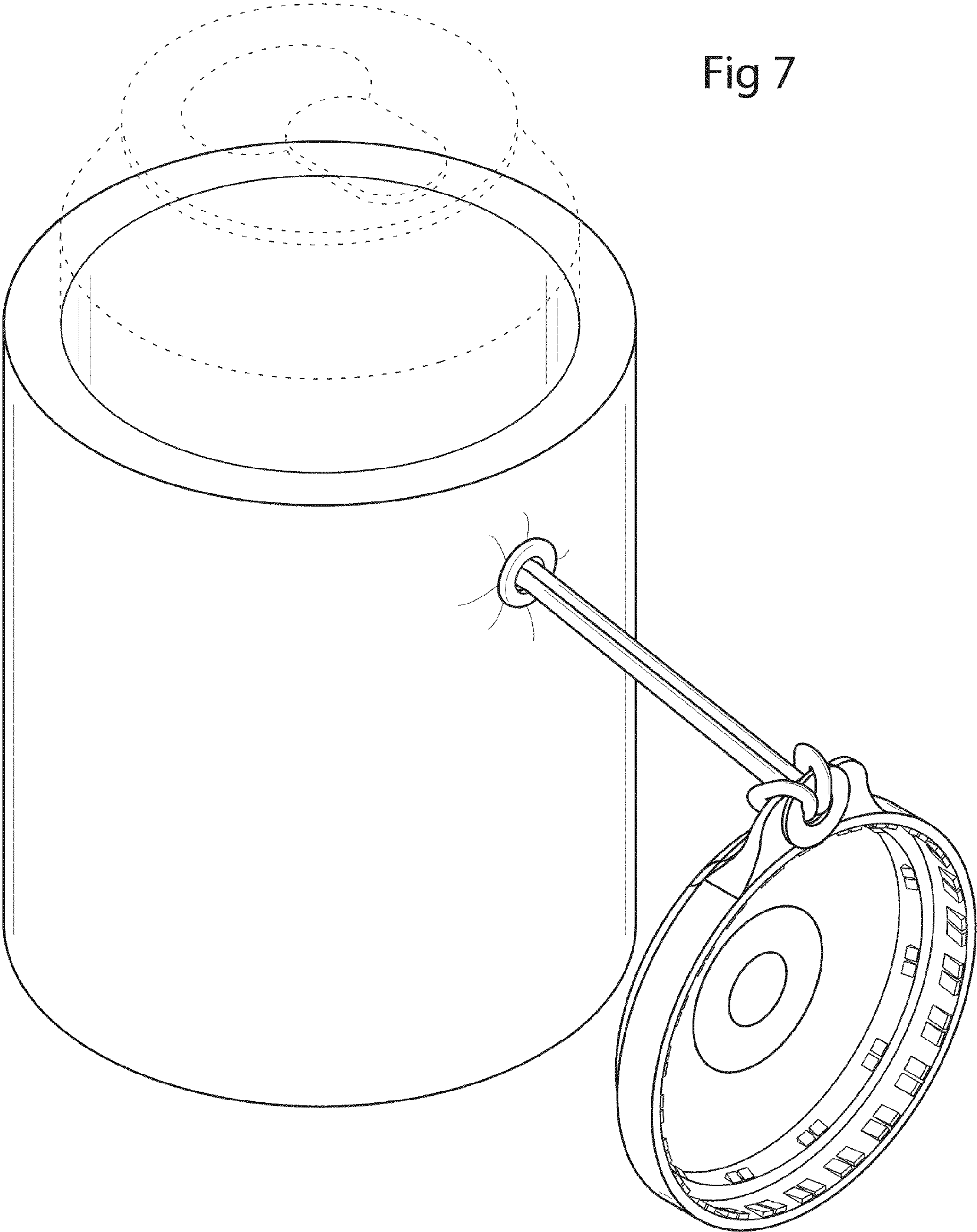


Fig 7



Fig 9

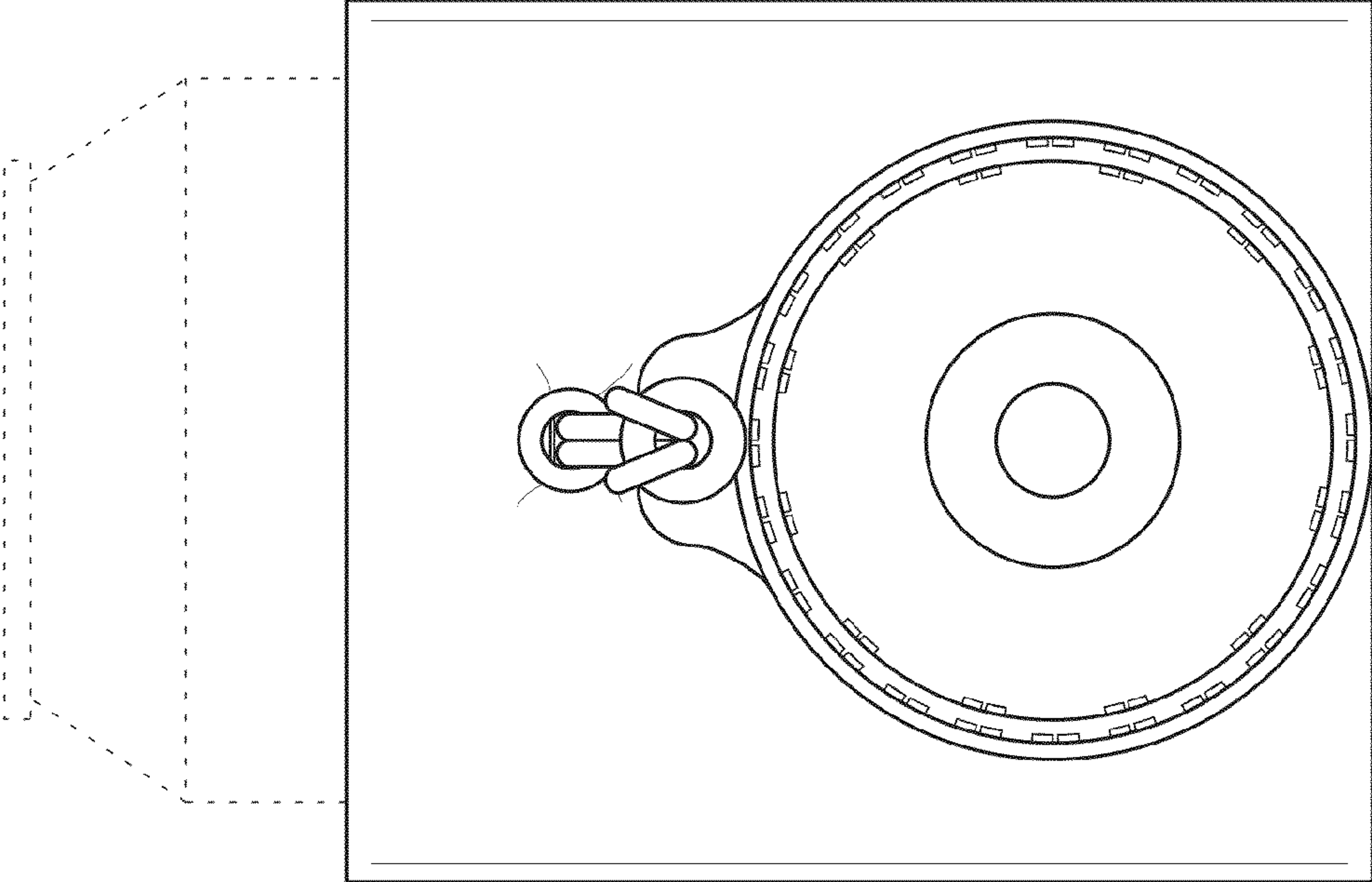


Fig 8

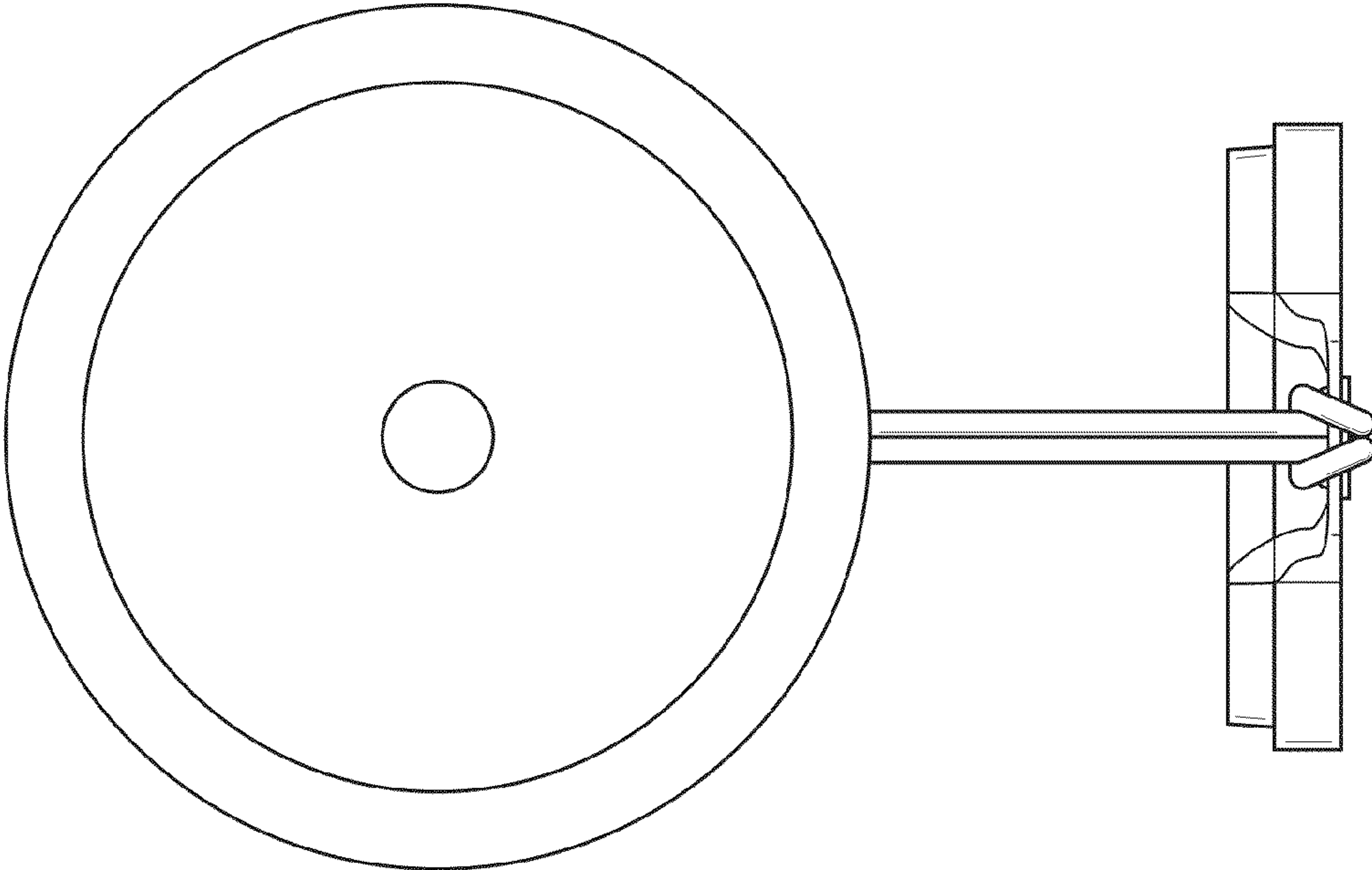


Fig 11

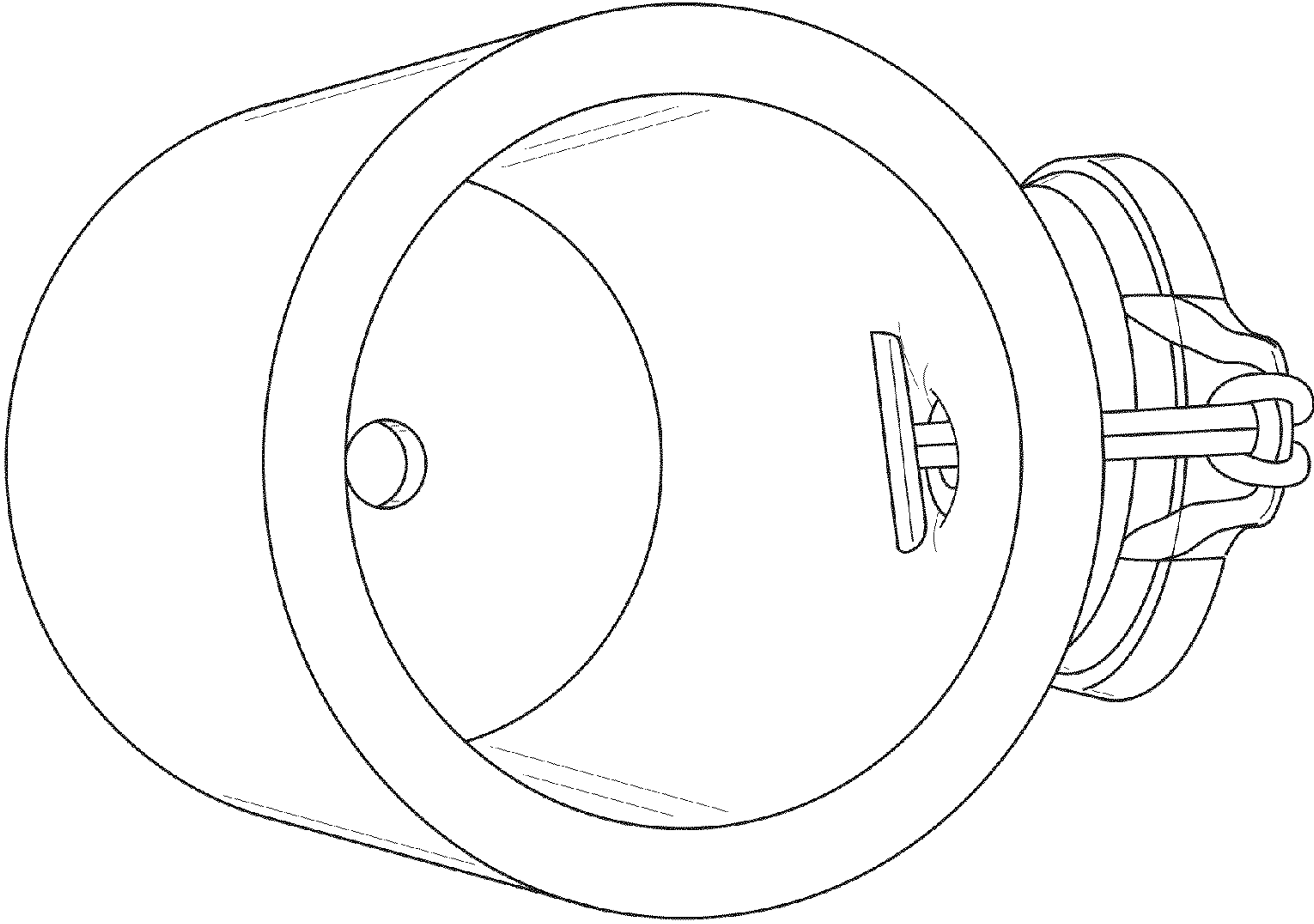


Fig 10

