



US00D678728S

(12) **United States Design Patent**
Stevens

(10) **Patent No.:** **US D678,728 S**

(45) **Date of Patent:** **** Mar. 26, 2013**

(54) **FOOD PLATE OR DISH**

(76) Inventor: **James T. Stevens**, Peachtree City, GA
(US)

(**) Term: **14 Years**

(21) Appl. No.: **29/422,533**

(22) Filed: **May 22, 2012**

(51) **LOC (9) Cl.** **07-01**

(52) **U.S. Cl.** **D7/551.1; D7/553.7; D7/567**

(58) **Field of Classification Search** D7/587,
D7/571, 566, 554.4, 554.3, 551.1, 553.1,
D7/553.7, 556, 567; D3/204; 220/574
See application file for complete search history.

(56) **References Cited**

U.S. PATENT DOCUMENTS

D141,503 S *	6/1945	Jones	D7/552.1
D192,526 S *	4/1962	Smith	D7/587
3,341,199 A *	9/1967	Madsen	473/499
D257,310 S *	10/1980	Cosmopulos	D7/587
D310,303 S *	9/1990	Colletti	D12/425
D338,595 S *	8/1993	Cafarella et al.	D7/551.1
D338,596 S *	8/1993	Cafarella et al.	D7/551.1
D363,193 S *	10/1995	Rostkowski, Jr.	D7/556
D462,091 S *	8/2002	Lowder	D19/90
D462,832 S *	9/2002	Lowder	D3/207
D495,211 S *	8/2004	Brown et al.	D7/584
D653,502 S *	2/2012	Mitchell	D7/587

* cited by examiner

Primary Examiner — Marianne Pandozzi

(74) *Attorney, Agent, or Firm* — Todd Partners, P.C.; Jack D. Todd

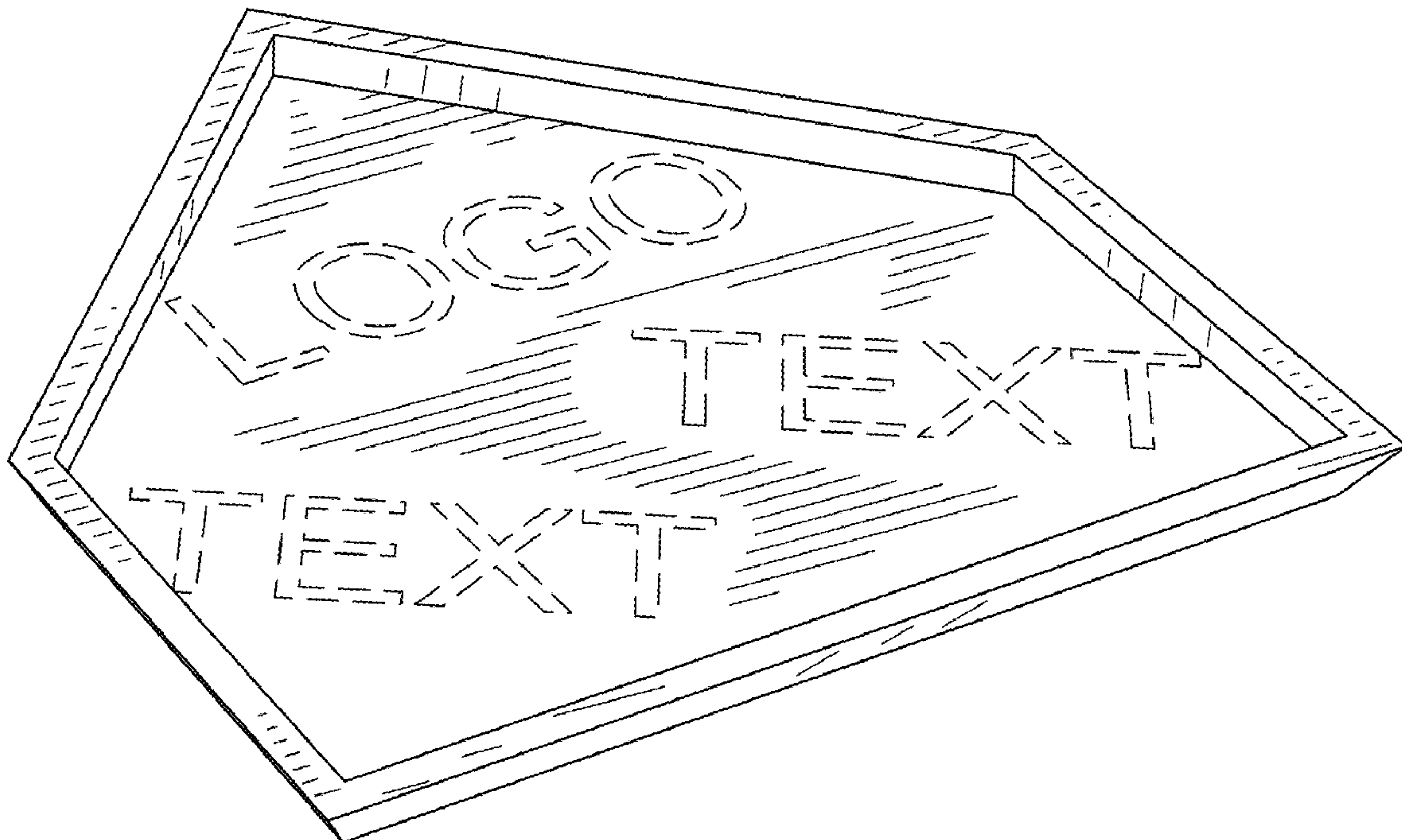
(57) **CLAIM**

The ornamental design for a food plate or dish, as shown and described.

DESCRIPTION

FIG. 1 is a top perspective view of a first embodiment of a food plate or dish of my new design;
 FIG. 2 is a top perspective view of a second embodiment of a food plate or dish of my new design;
 FIG. 3 is a top perspective view of a modification of the food plate or dish of FIG. 2;
 FIG. 4 is a top plan view of the article shown in FIG. 1;
 FIG. 5 is a top plan view of the article shown in FIG. 2;
 FIG. 6 is a top plan view of the article shown in FIG. 3;
 FIGS. 7 and 8 are bottom perspective views of the article of FIGS. 1-6;
 FIG. 9 is a bottom plan view of the article of FIGS. 1-6;
 FIG. 10 is a rear view of the article of FIGS. 1-6;
 FIG. 11 is a front view of the article of FIGS. 1-6;
 FIG. 12 is one side view of the article of FIGS. 1-6; and,
 FIG. 13 is the other side view of the article of FIGS. 1-6.
 The dashed lines showing optional elements in FIGS. 1-13 are for illustrative purposes only and form no part of the claimed design.

1 Claim, 11 Drawing Sheets



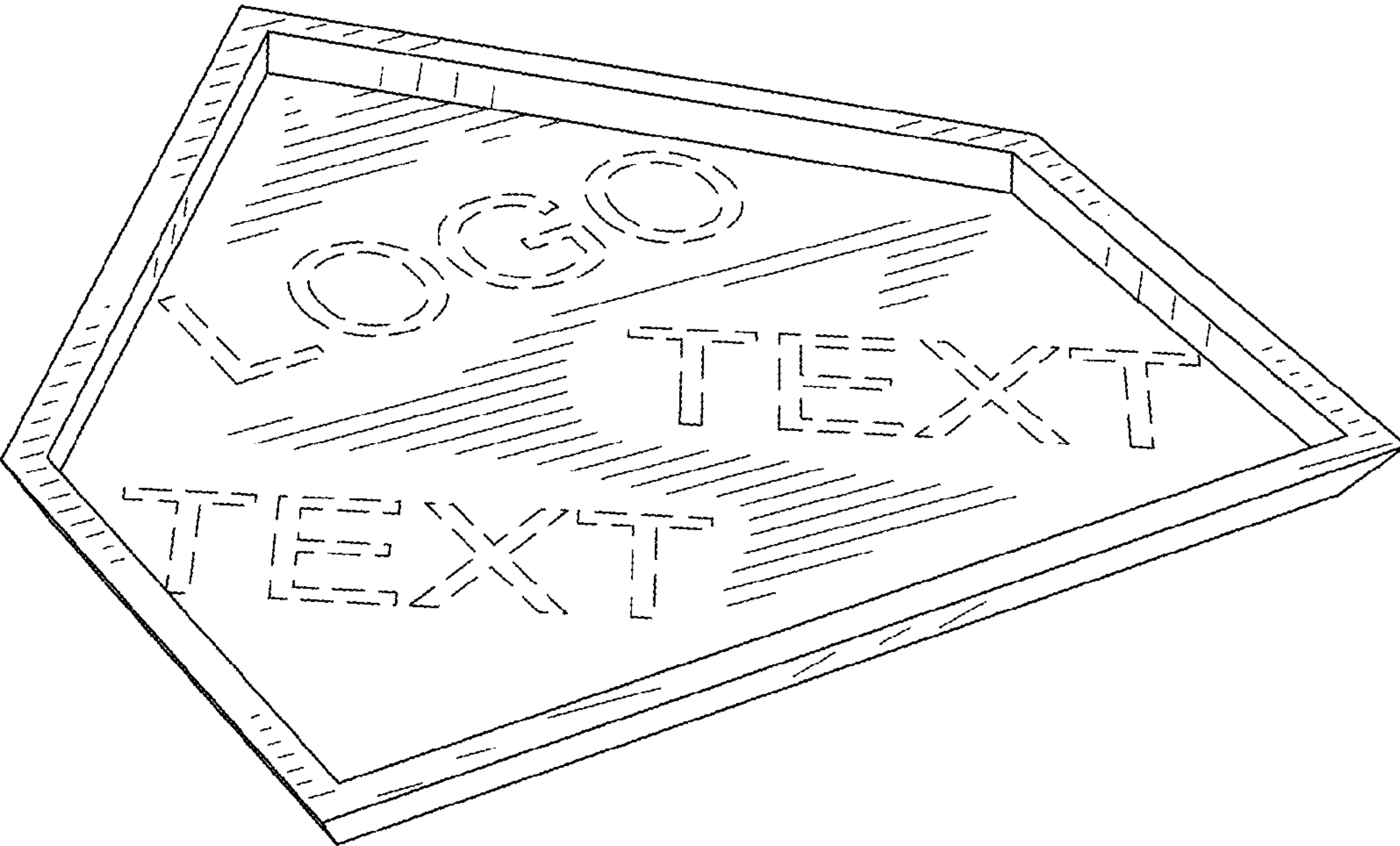


FIG. 1

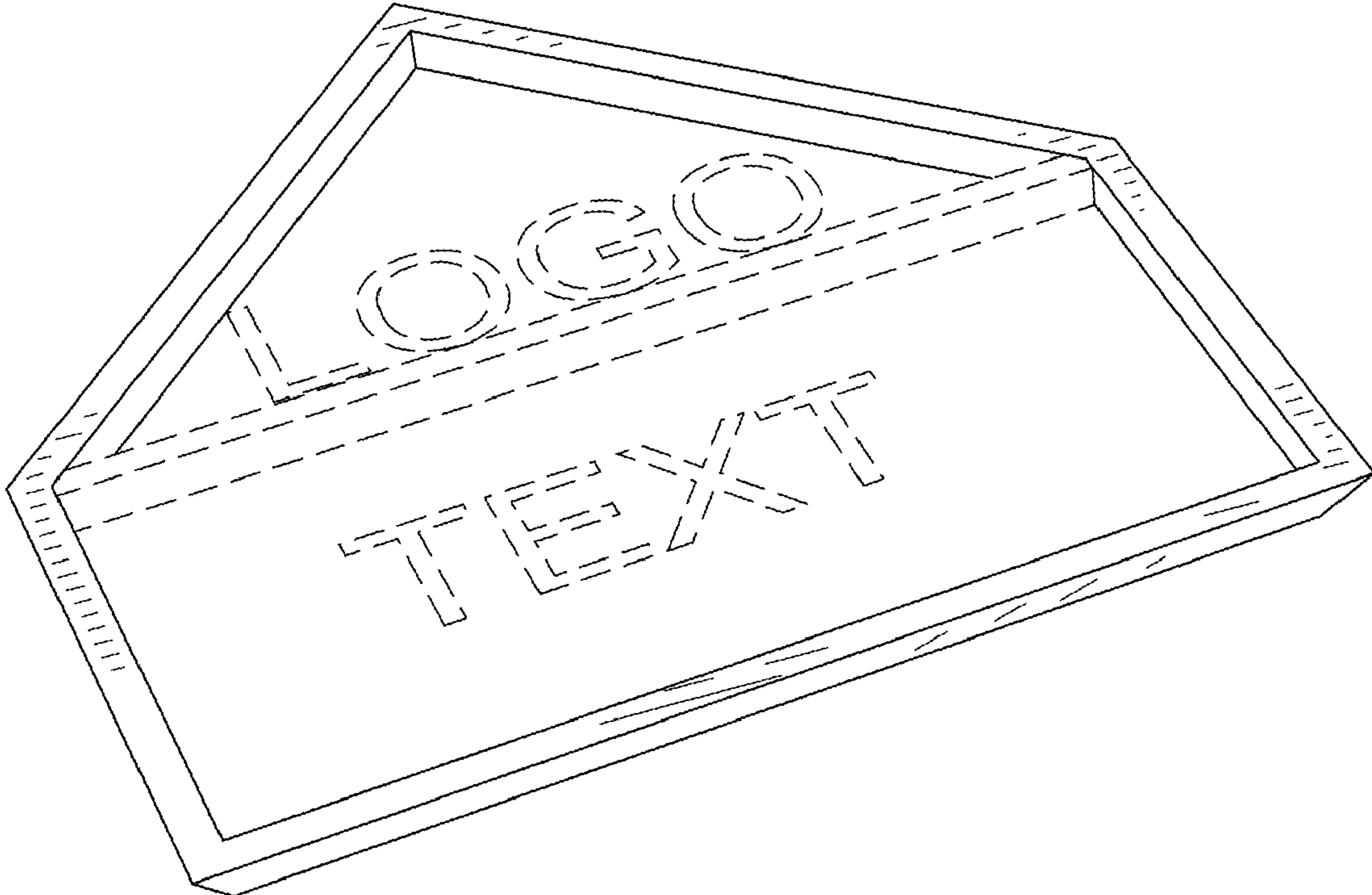


FIG. 2

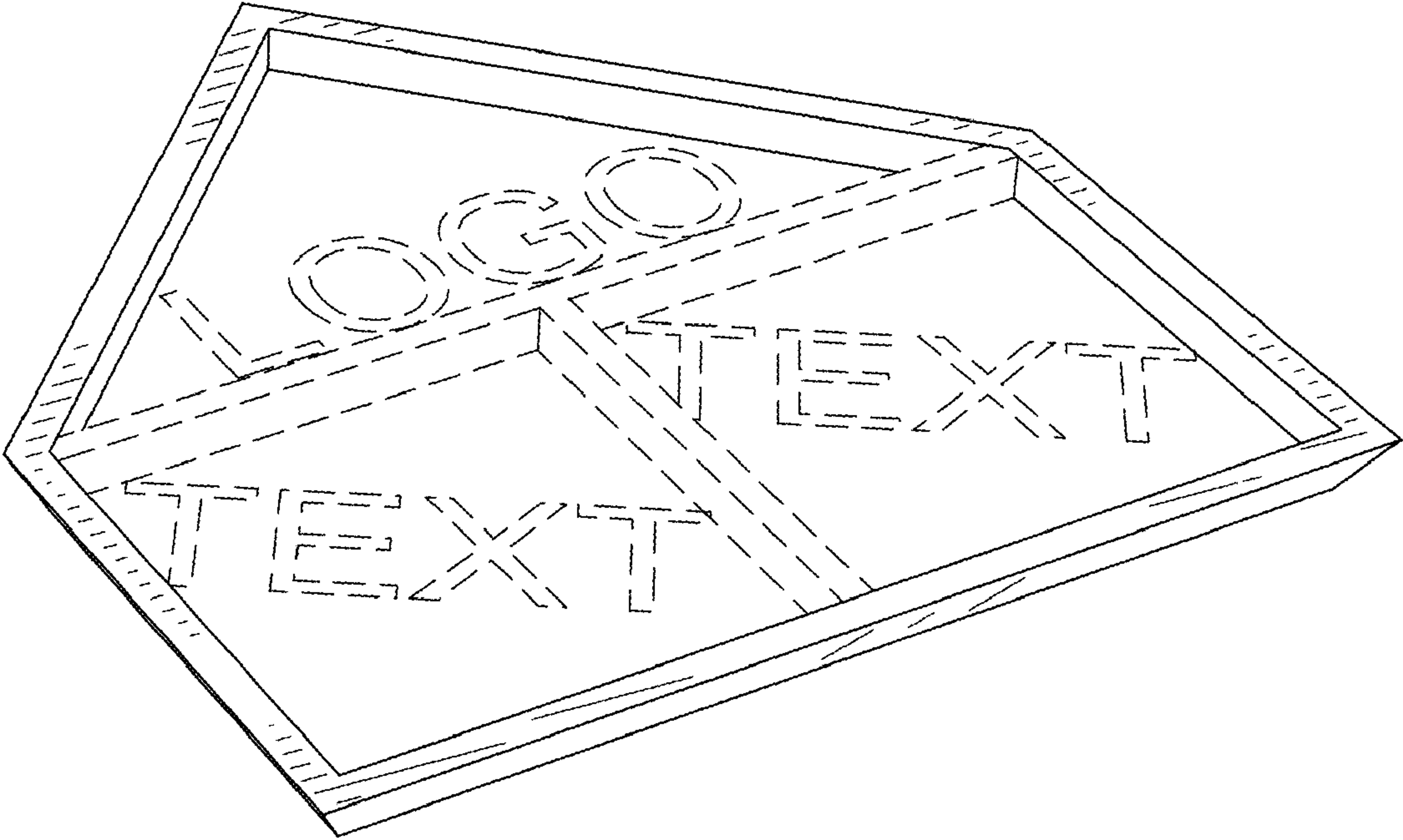


FIG. 3

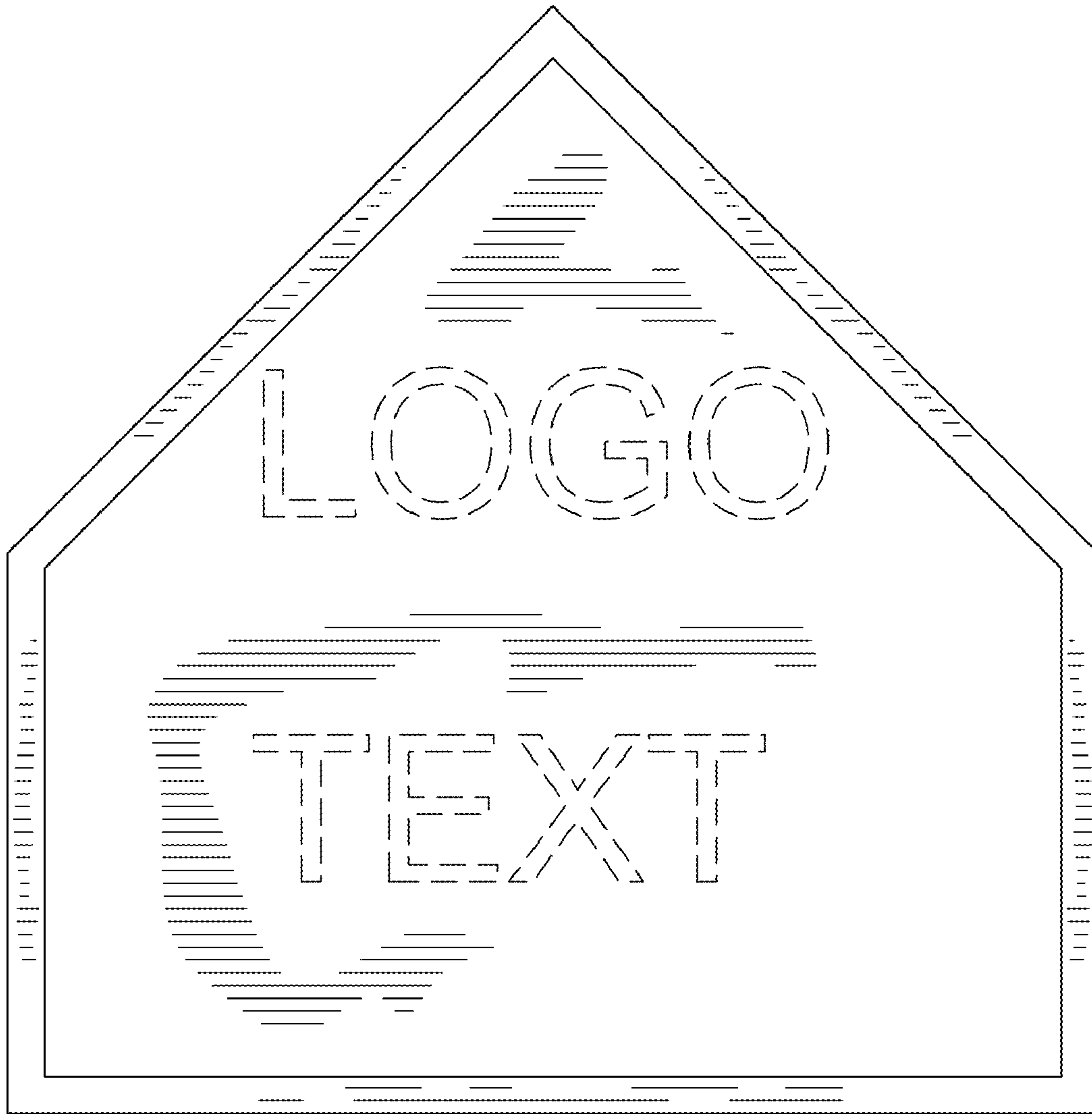


FIG. 4

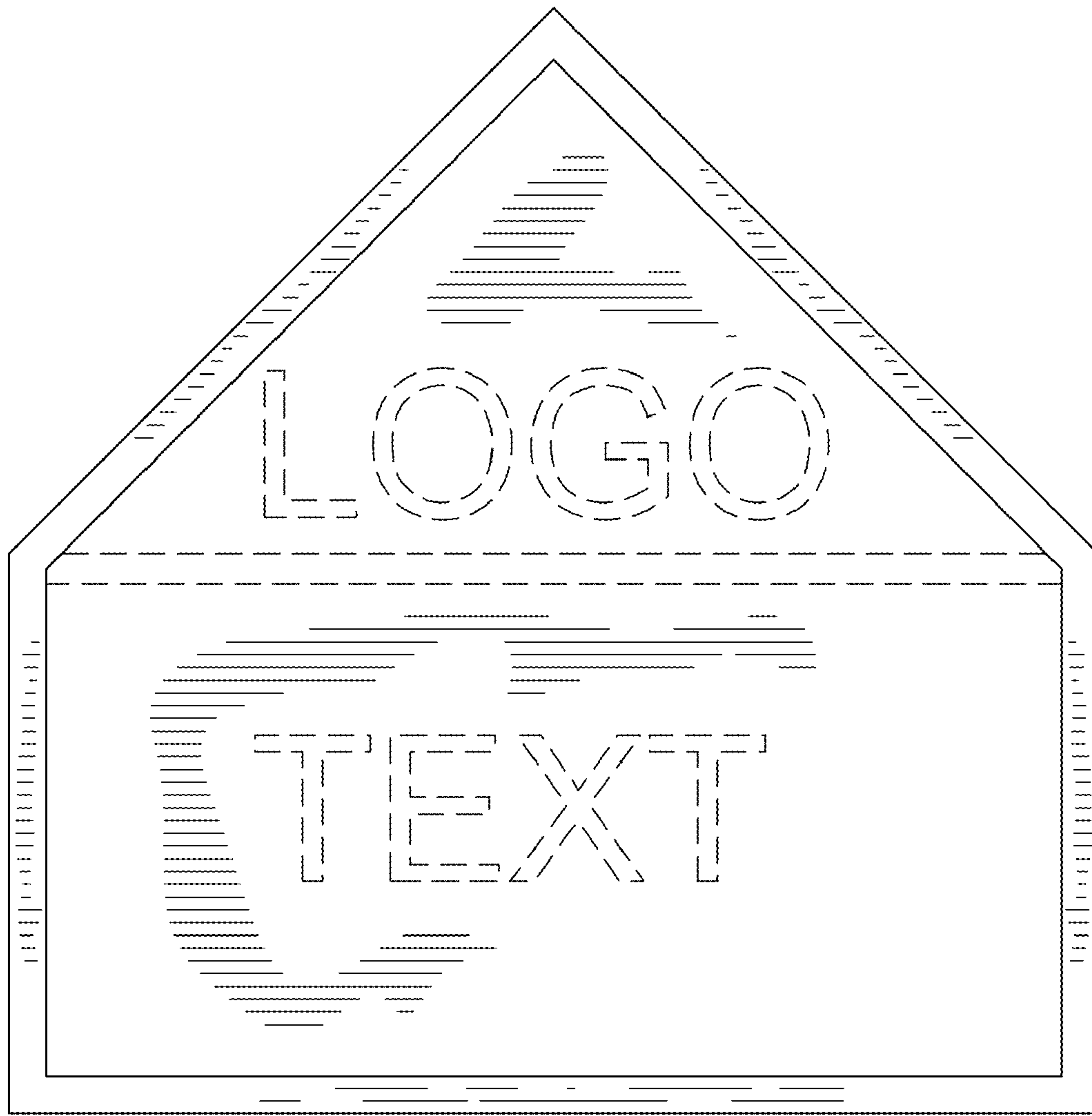


FIG. 5

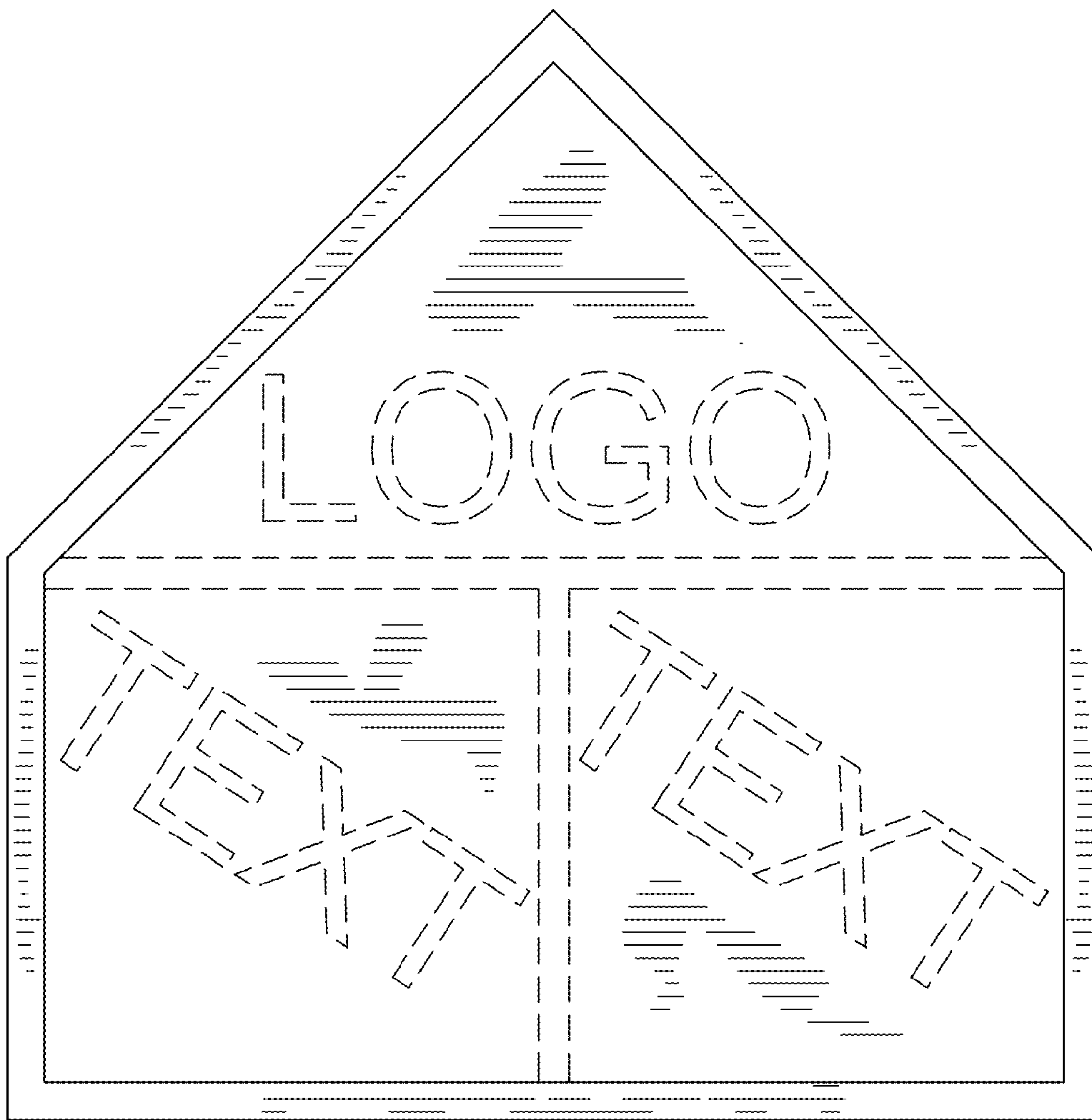


FIG. 6

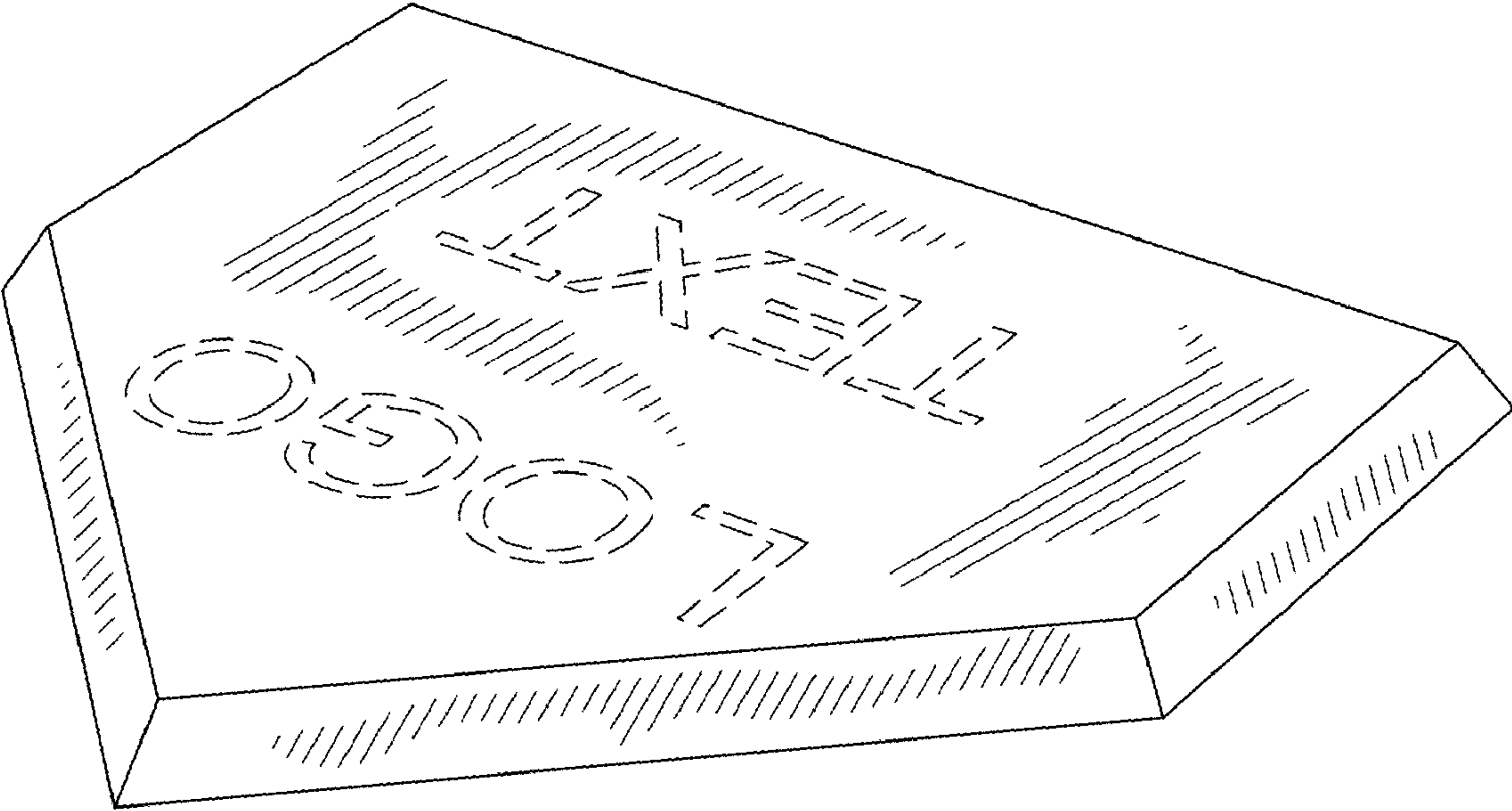


FIG. 7

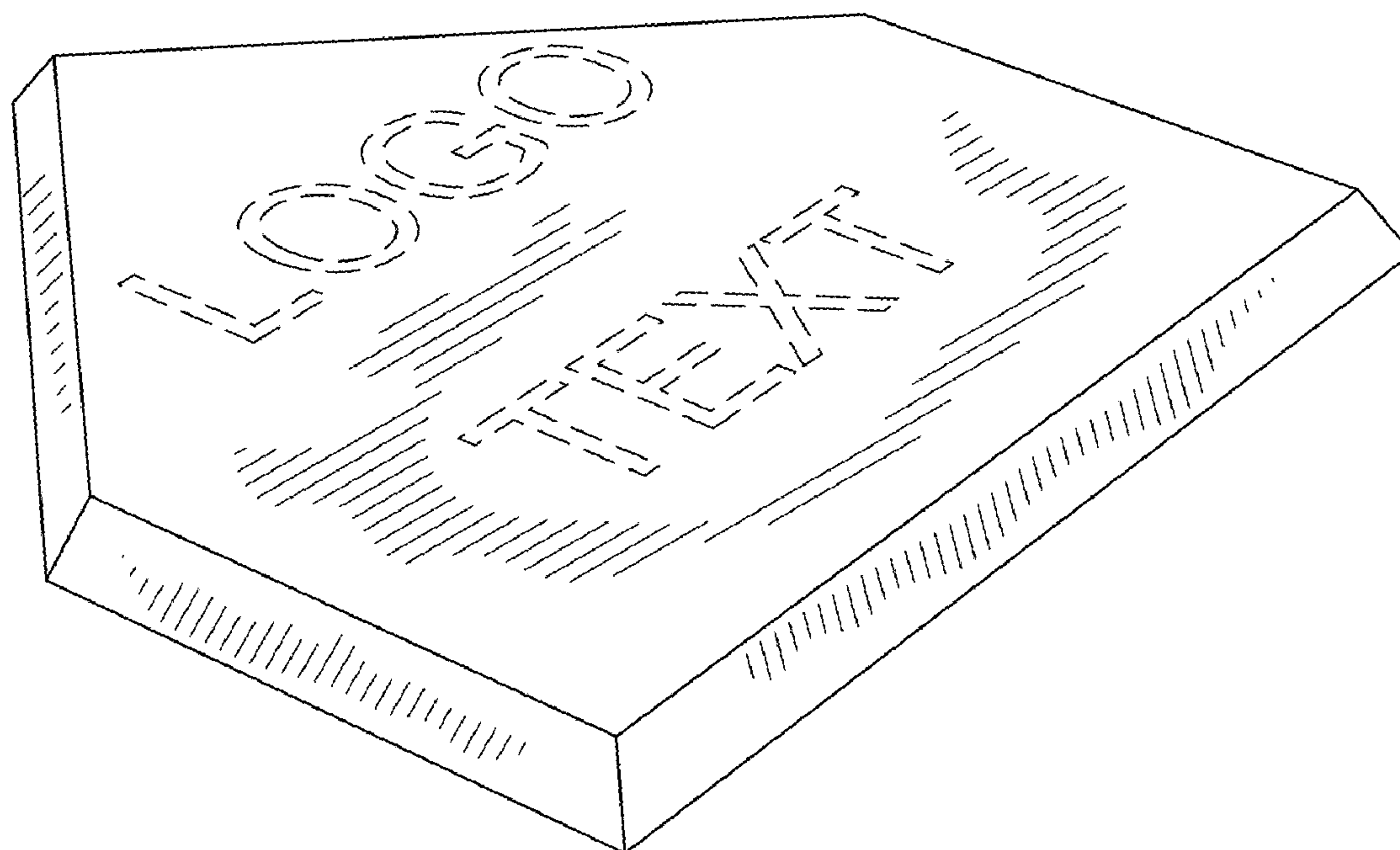


FIG. 8

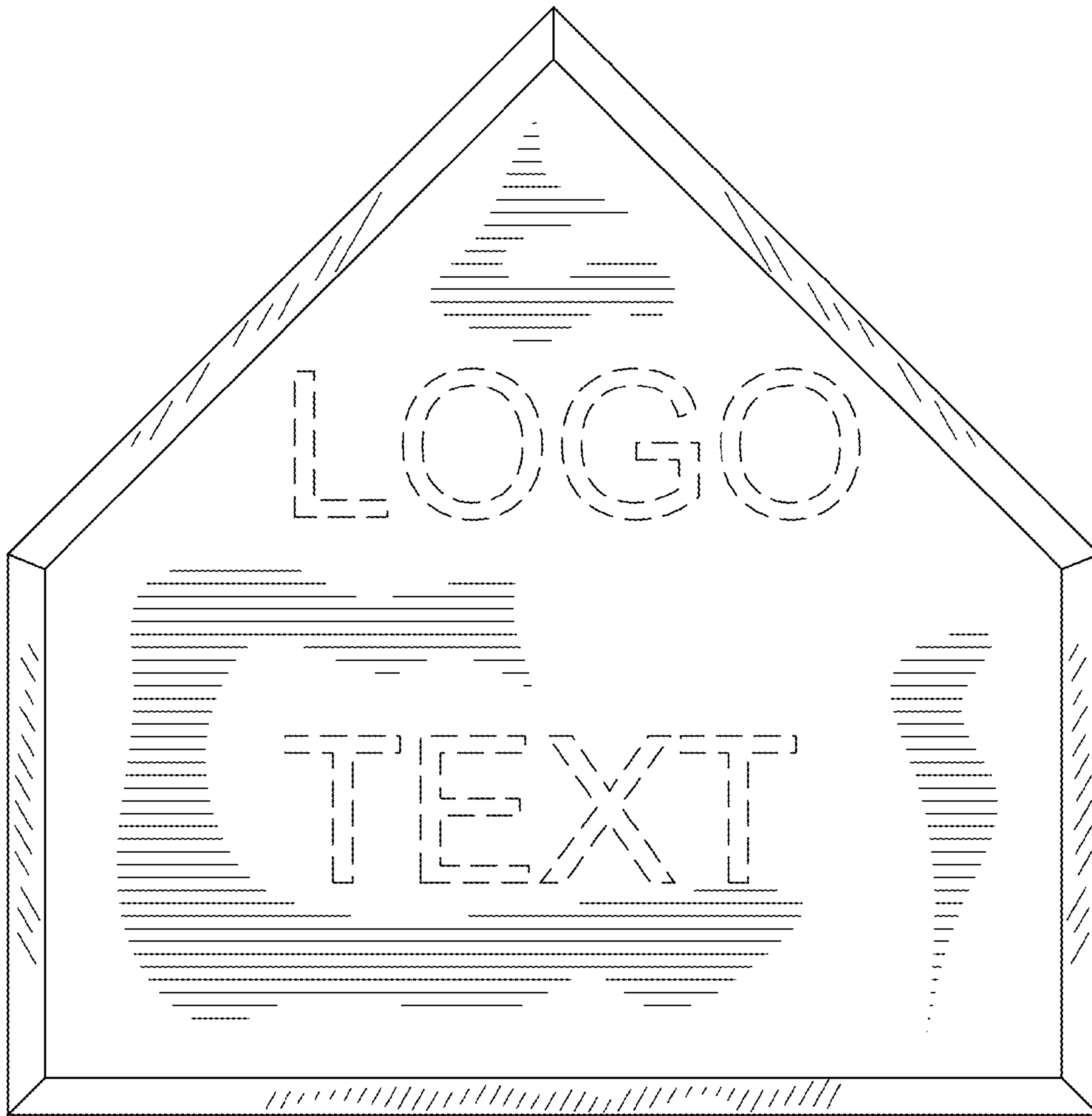


FIG. 9

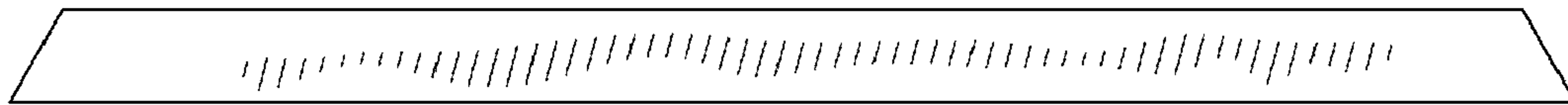


FIG. 10

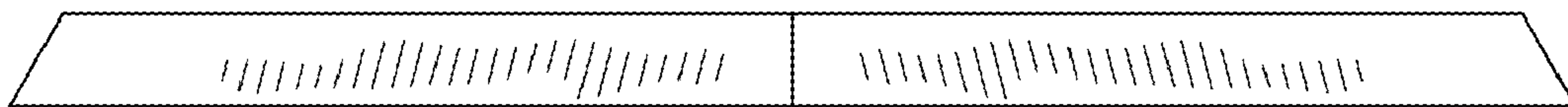


FIG. 11



FIG. 12



FIG. 13