



US00D678727S

(12) **United States Design Patent**
Kolar

(10) **Patent No.:** **US D678,727 S**
(45) **Date of Patent:** **** Mar. 26, 2013**

(54) **CONTAINER**

(75) Inventor: **David Kolar**, Stow, OH (US)

(73) Assignee: **Vita-Mix Corporation**, Olmsted Township, OH (US)

(**) Term: **14 Years**

(21) Appl. No.: **29/406,415**

(22) Filed: **Nov. 14, 2011**

(51) **LOC (9) Cl.** **07-01**

(52) **U.S. Cl.** **D7/533**

(58) **Field of Classification Search** D7/536,
D7/533, 300, 510, 523, 507, 511, 509, 300.1;
D19/70; 206/216; 220/737, 718, 642, 758,
220/769, 574, 912

See application file for complete search history.

(56) **References Cited**

U.S. PATENT DOCUMENTS

3,101,857	A	*	8/1963	Freedman	215/396
D219,472	S	*	12/1970	Piker	D7/533
D225,792	S	*	1/1973	Fritsche	D7/533
D326,586	S	*	6/1992	Embree	D7/510

D480,603	S	*	10/2003	Joss et al.	D7/535
D488,028	S	*	4/2004	Janky et al.	D7/536
D596,463	S	*	7/2009	Poindexter et al.	D7/533
D597,378	S	*	8/2009	Poindexter et al.	D7/536
D598,713	S	*	8/2009	Luft	D7/533
D600,978	S	*	9/2009	Poindexter et al.	D7/533
D613,121	S	*	4/2010	Luft	D7/533
D646,524	S	*	10/2011	Kortleven	D7/533

* cited by examiner

Primary Examiner — Robert M Spear

Assistant Examiner — Janice Hallmark

(74) *Attorney, Agent, or Firm* — McDonald Hopkins LLC

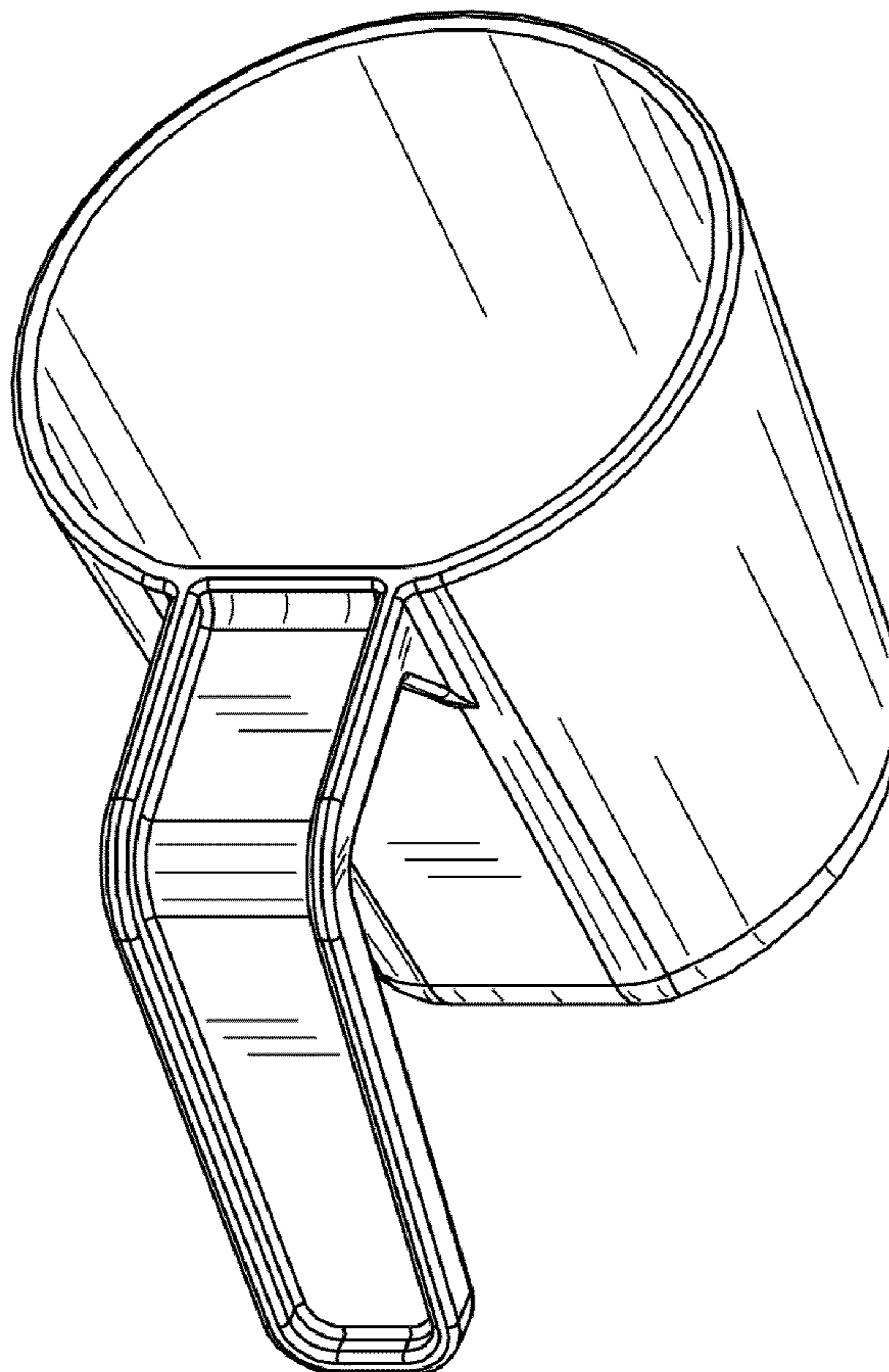
(57) **CLAIM**

The ornamental design for a container, as shown and described.

DESCRIPTION

FIG. 1 is an isometric view showing my new design;
FIG. 2 is a side view thereof;
FIG. 3 is a back view thereof;
FIG. 4 is a top view thereof;
FIG. 5 is bottom view thereof; and,
FIG. 6 is a front side view thereof.

1 Claim, 2 Drawing Sheets



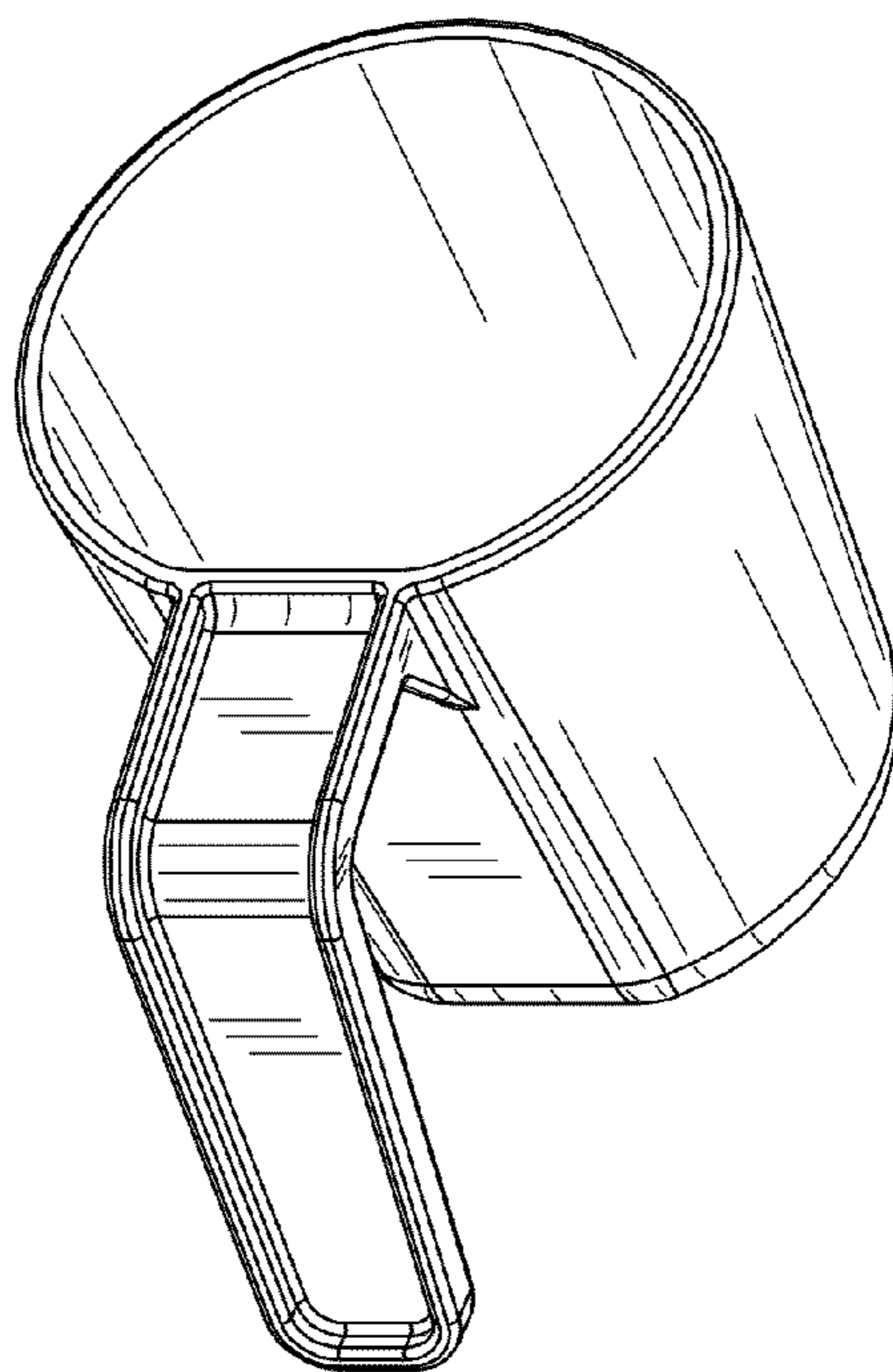


FIG. 1

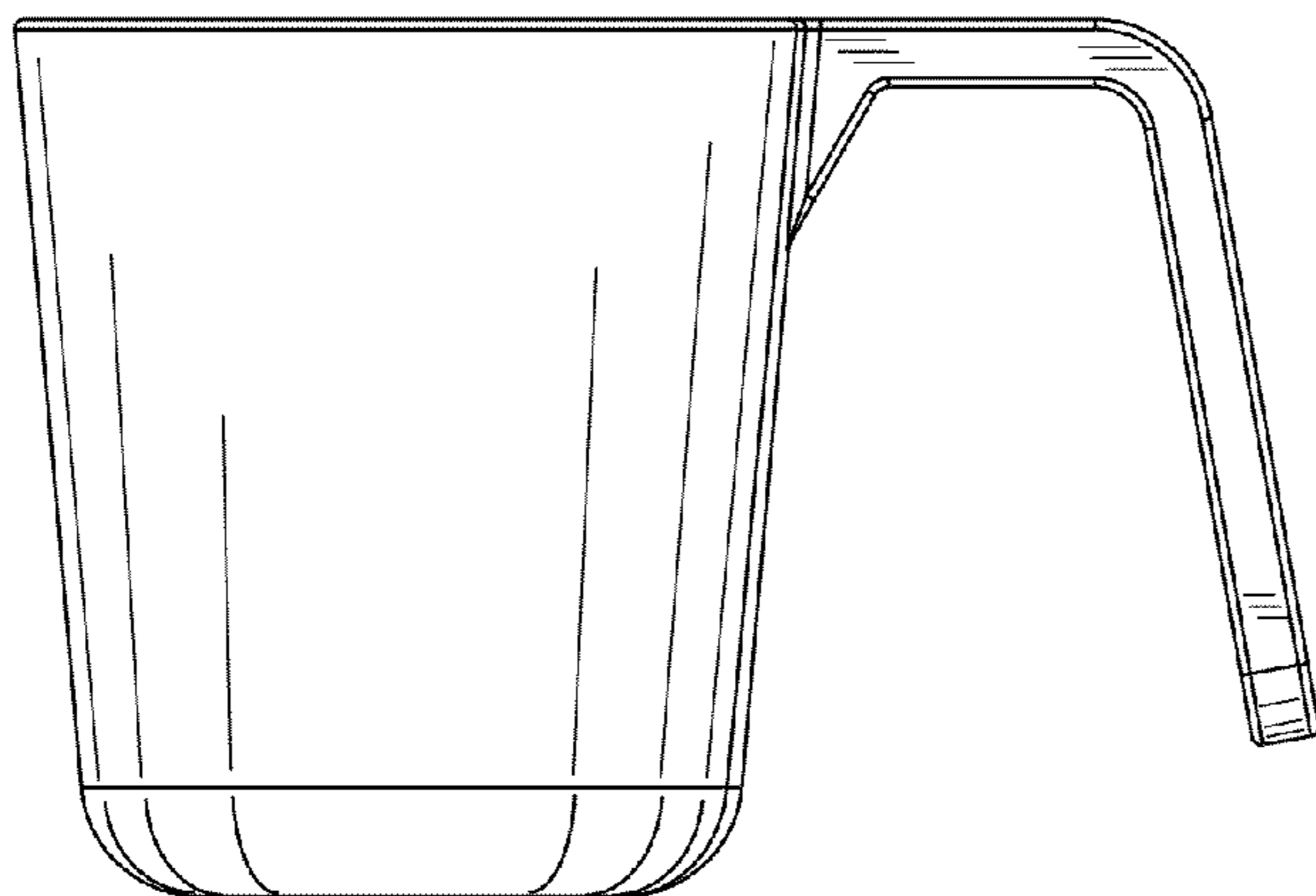


FIG. 2

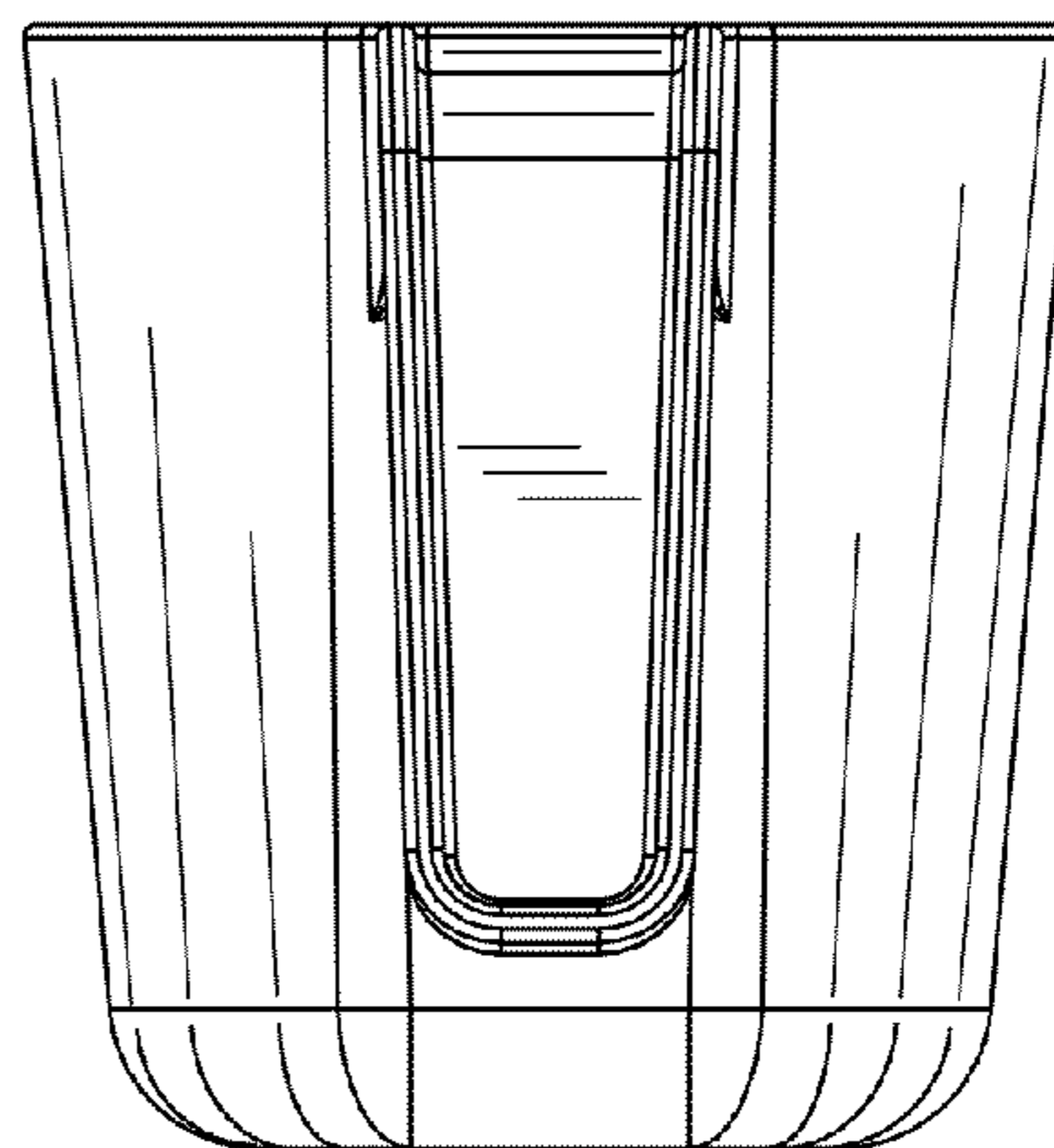


FIG. 3

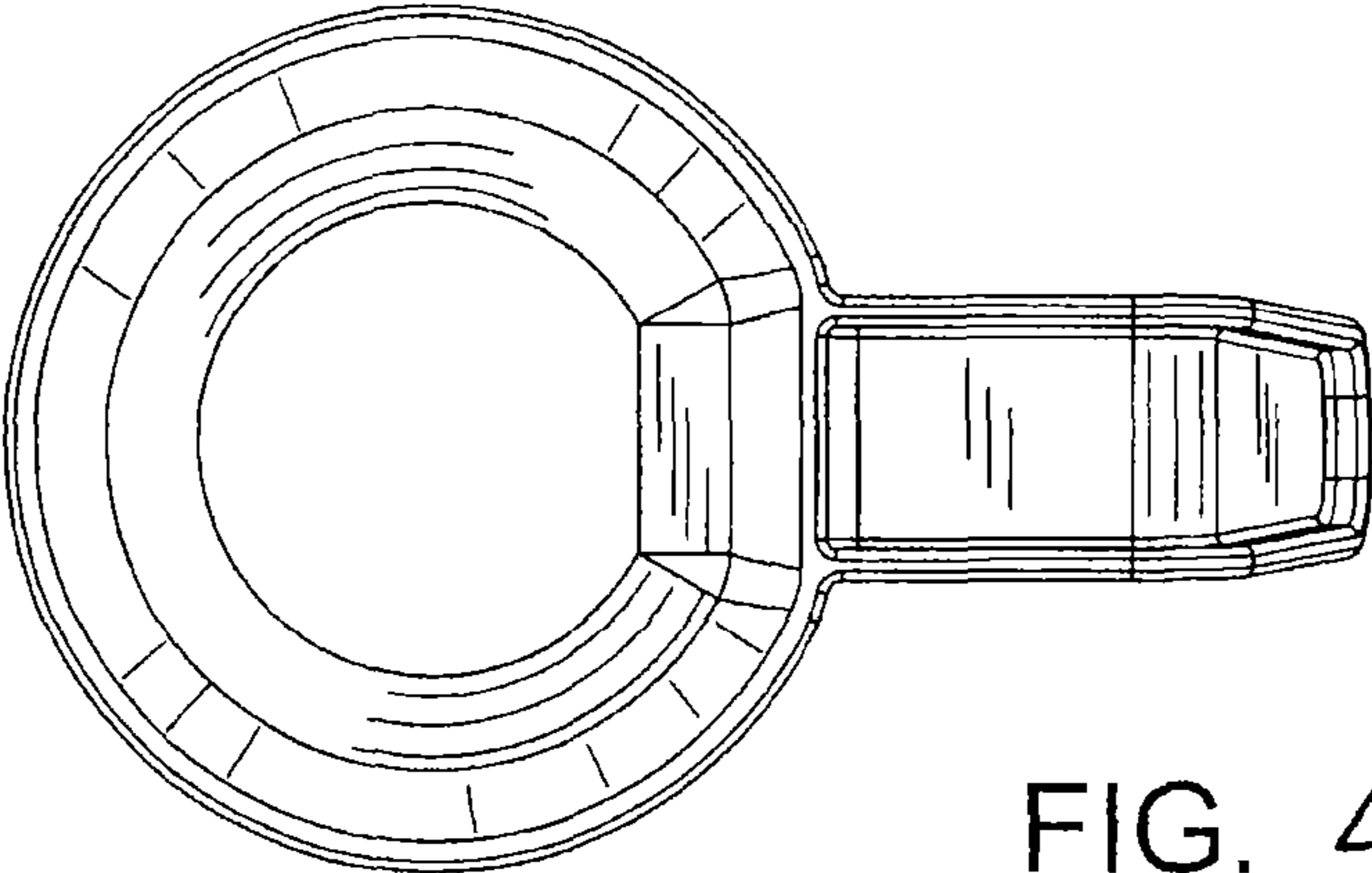


FIG. 4

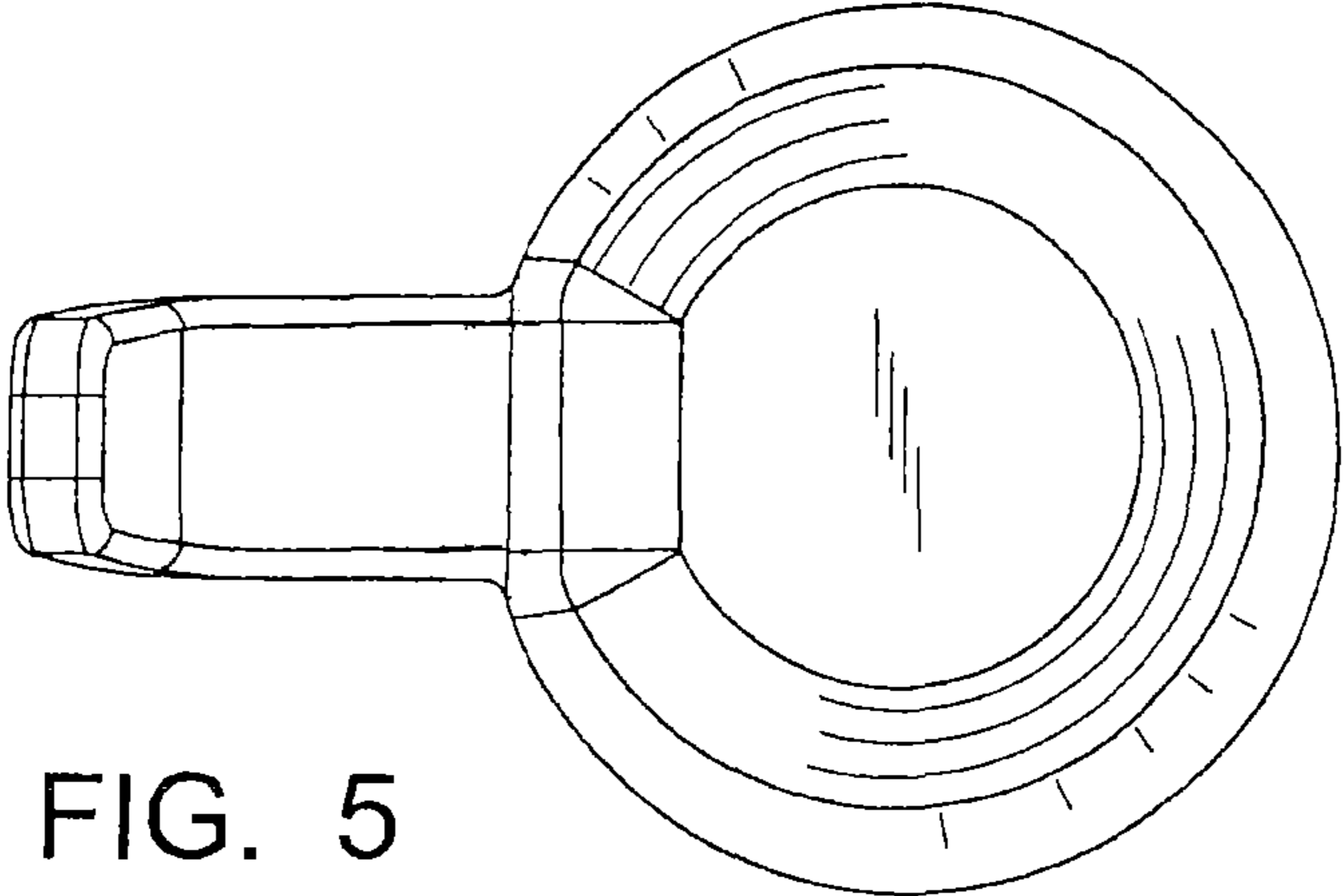


FIG. 5

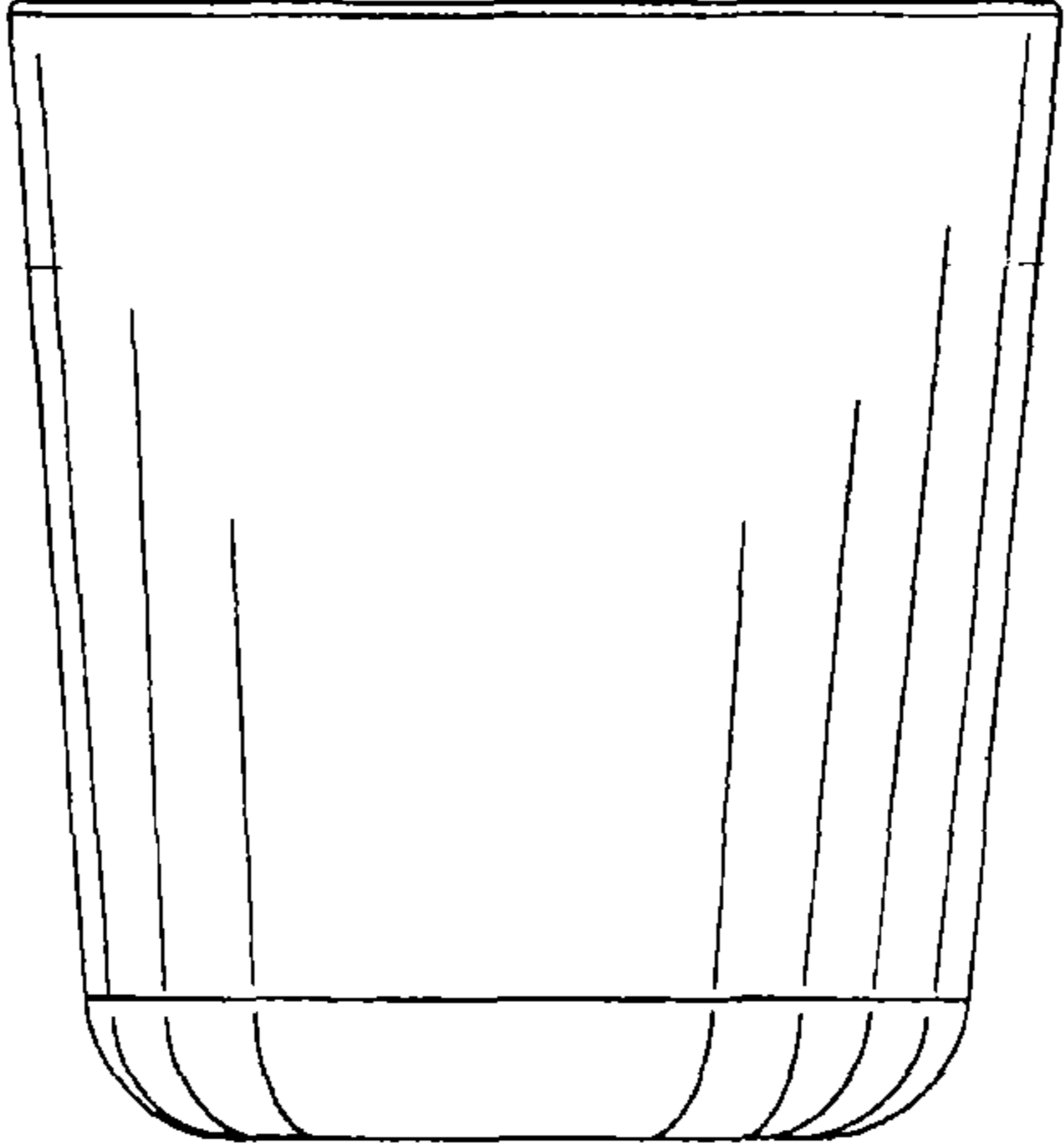


FIG. 6