



US00D678722S

(12) **United States Design Patent**  
**Lona Santoyo et al.**

(10) **Patent No.:** **US D678,722 S**  
(45) **Date of Patent:** **\*\* Mar. 26, 2013**

(54) **DELTA GAS BURNER**  
(75) Inventors: **Jose Arturo Lona Santoyo**, Queretaro (MX); **Ernesto Arias del Campo**, Queretaro (MX); **Roberto Cabrera Botello**, Queretaro (MX)  
(73) Assignee: **Mabe, S.A. DE C.V.**, Queretaro (MX)  
(\*\*) Term: **14 Years**

D439,801 S \* 4/2001 Measom ..... D7/407  
6,315,552 B1 11/2001 Haynes et al.  
6,439,882 B2 8/2002 Haynes et al.  
D468,963 S \* 1/2003 Pai ..... D7/407  
7,017,572 B2 \* 3/2006 Cadima ..... 126/39 E  
D524,105 S \* 7/2006 Poltronieri ..... D7/407  
D564,296 S \* 3/2008 Koch et al. .... D7/407  
D565,893 S \* 4/2008 Pryor et al. .... D7/407  
D565,895 S \* 4/2008 Pryor et al. .... D7/407  
D581,214 S \* 11/2008 Rosa et al. .... D7/407  
D581,736 S \* 12/2008 Besseas ..... D7/407

(21) Appl. No.: **29/418,736**  
(22) Filed: **Apr. 20, 2012**

**FOREIGN PATENT DOCUMENTS**

JP 11264516 9/1999  
\* cited by examiner

(30) **Foreign Application Priority Data**  
Oct. 20, 2011 (MX) ..... MX/f/2011/003415  
(51) **LOC (9) Cl.** ..... **07-02**  
(52) **U.S. Cl.** ..... **D7/407**  
(58) **Field of Classification Search** ..... D7/332,  
D7/334-337, 402-405, 407, 392.1; 126/25 R,  
126/39 C, 41 R, 25 A, 29-30, 25 AA, 9 R,  
126/37-38, 40, 39 E, 39 H; 99/481-482;  
D26/118; D23/335, 386, 342, 415; 392/357;  
431/264  
See application file for complete search history.

*Primary Examiner* — T. Chase Nelson  
*Assistant Examiner* — Mark Cavanna  
(74) *Attorney, Agent, or Firm* — Enrique J. Mora; Beusse Wolter Sanks Mora & Maire, P.A.

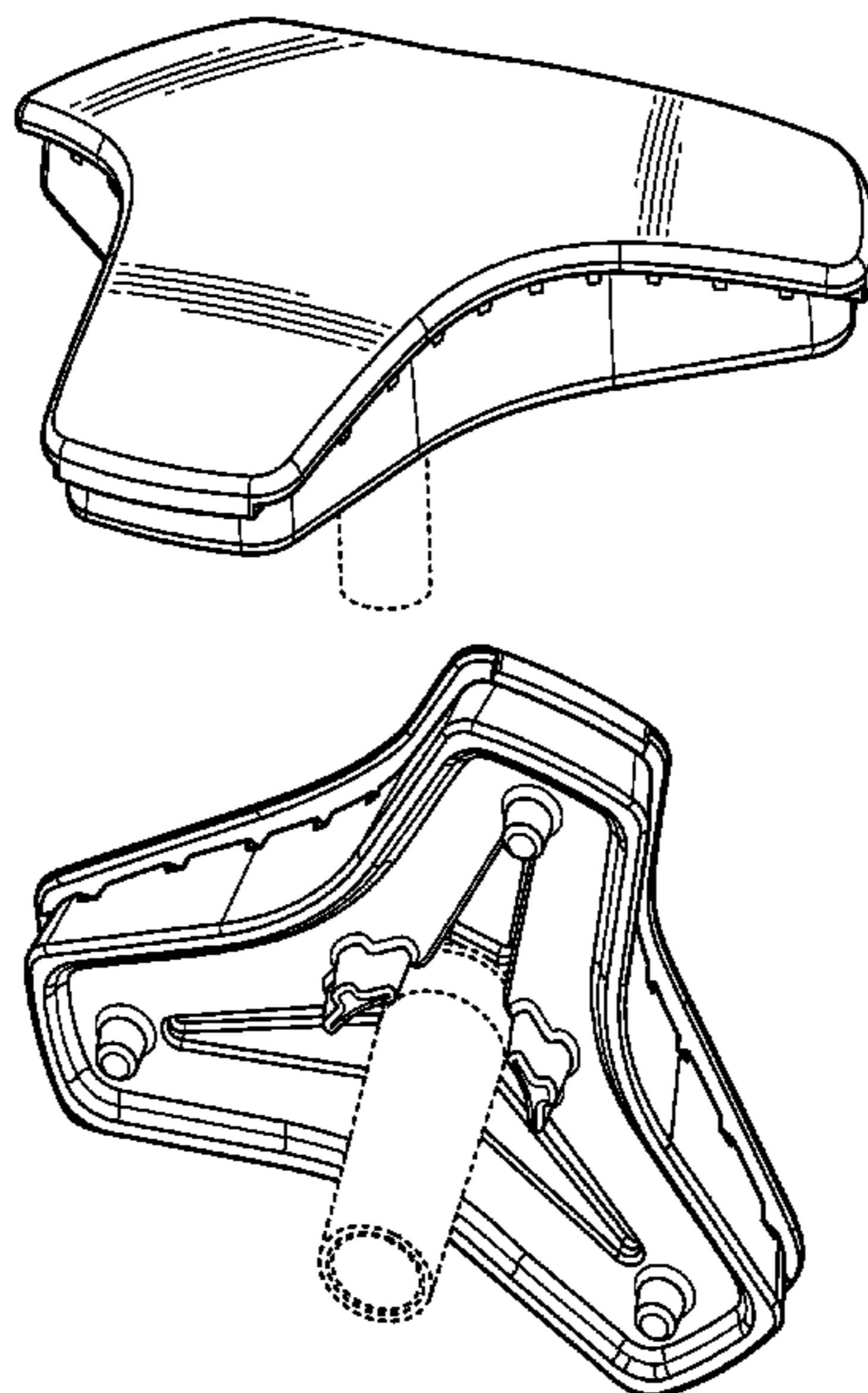
(56) **References Cited**  
**U.S. PATENT DOCUMENTS**  
D42,339 S \* 3/1912 Sheeman ..... D7/407  
D48,913 S \* 4/1916 Parisen ..... D7/407  
D102,760 S \* 1/1937 Maul ..... D7/407  
2,311,994 A 3/1940 Parker  
D125,112 S \* 2/1941 Reeves ..... D7/407  
D191,085 S \* 8/1961 Kindl ..... D7/407  
D228,766 S \* 10/1973 Stohrer ..... D23/415  
D236,418 S \* 8/1975 Duperow ..... D7/407  
5,397,234 A \* 3/1995 Kwiatek ..... 431/264  
D369,517 S \* 5/1996 Ferlin ..... D7/407  
D414,377 S \* 9/1999 Huang ..... D7/407

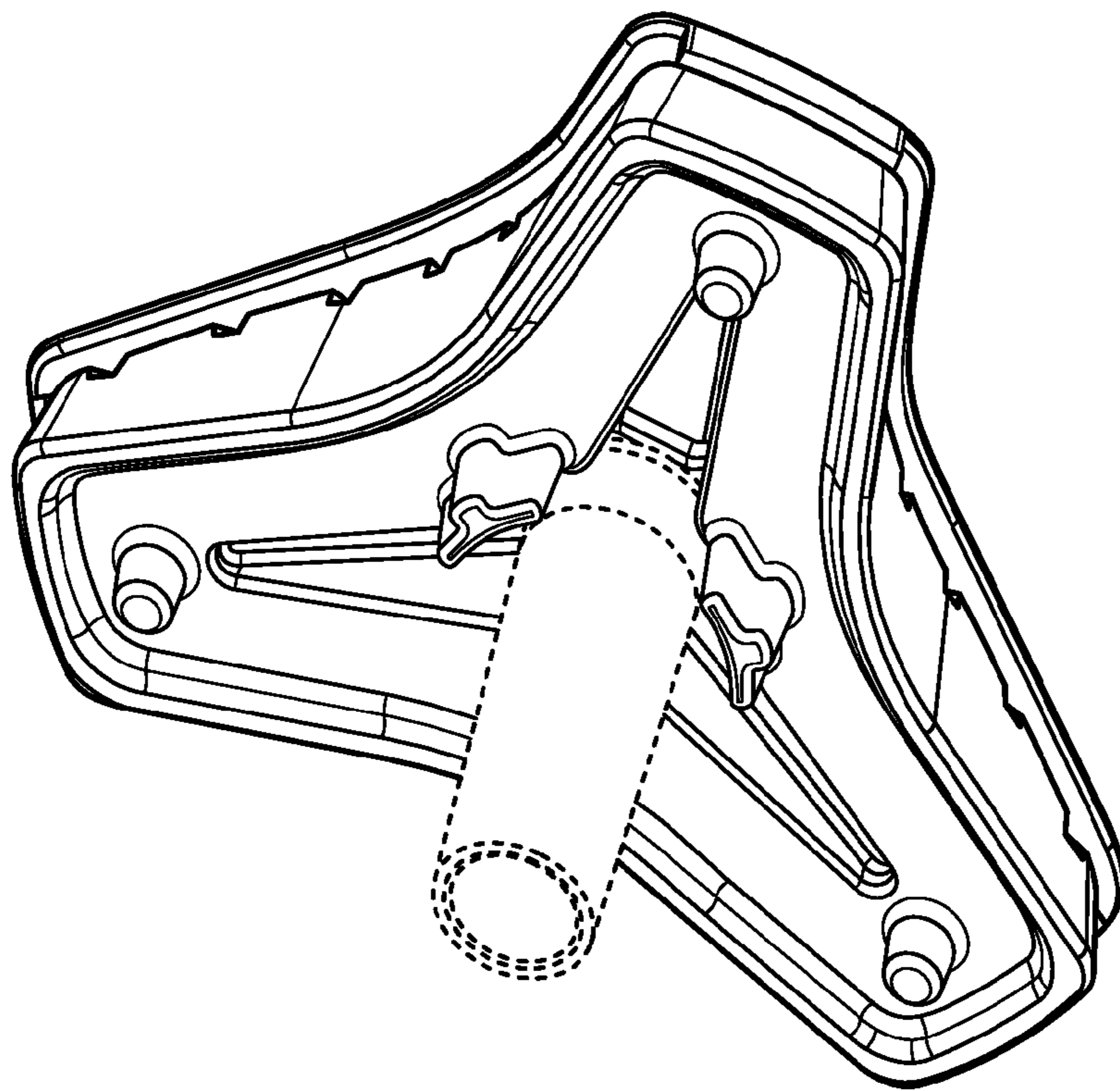
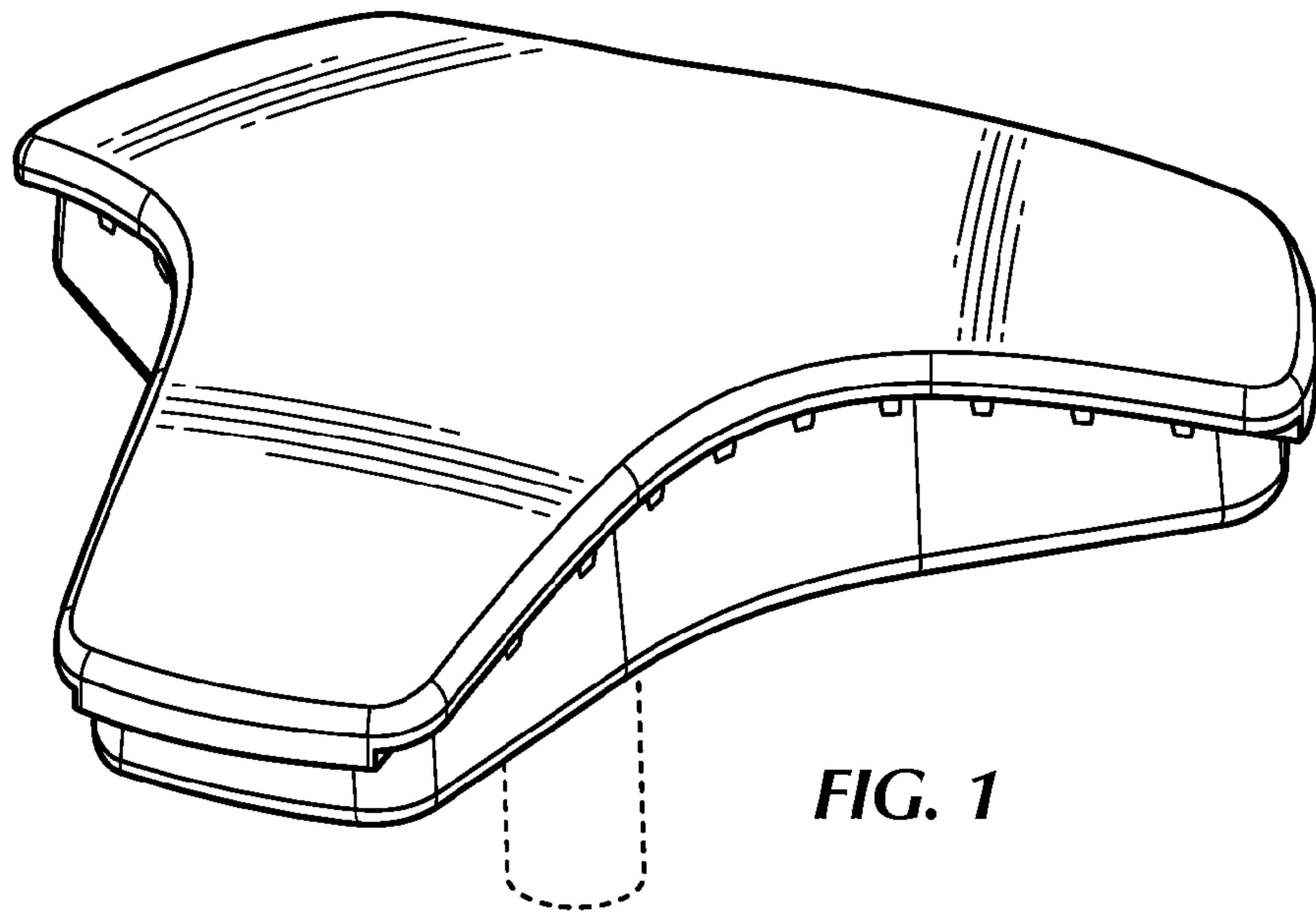
(57) **CLAIM**  
We claim the ornamental design for a delta gas burner, as described and illustrated.

**DESCRIPTION**

FIG. 1 is a top perspective view of a delta gas burner of this application;  
FIG. 2 is a bottom perspective view of a delta gas burner of this application; and,  
FIG. 3 is a top plan view of a delta gas burner of this application.  
The surface shading lines seen in FIGS. 1 and 3 form no part of the claimed design. The broken lines are included for the purpose of illustrating portions of the delta gas burner that form no part of the claimed design.  
The design consists of the features of shape, ornament, pattern and configuration of a delta gas burner for use in a stove or cook-top as shown in the drawings.

**1 Claim, 2 Drawing Sheets**





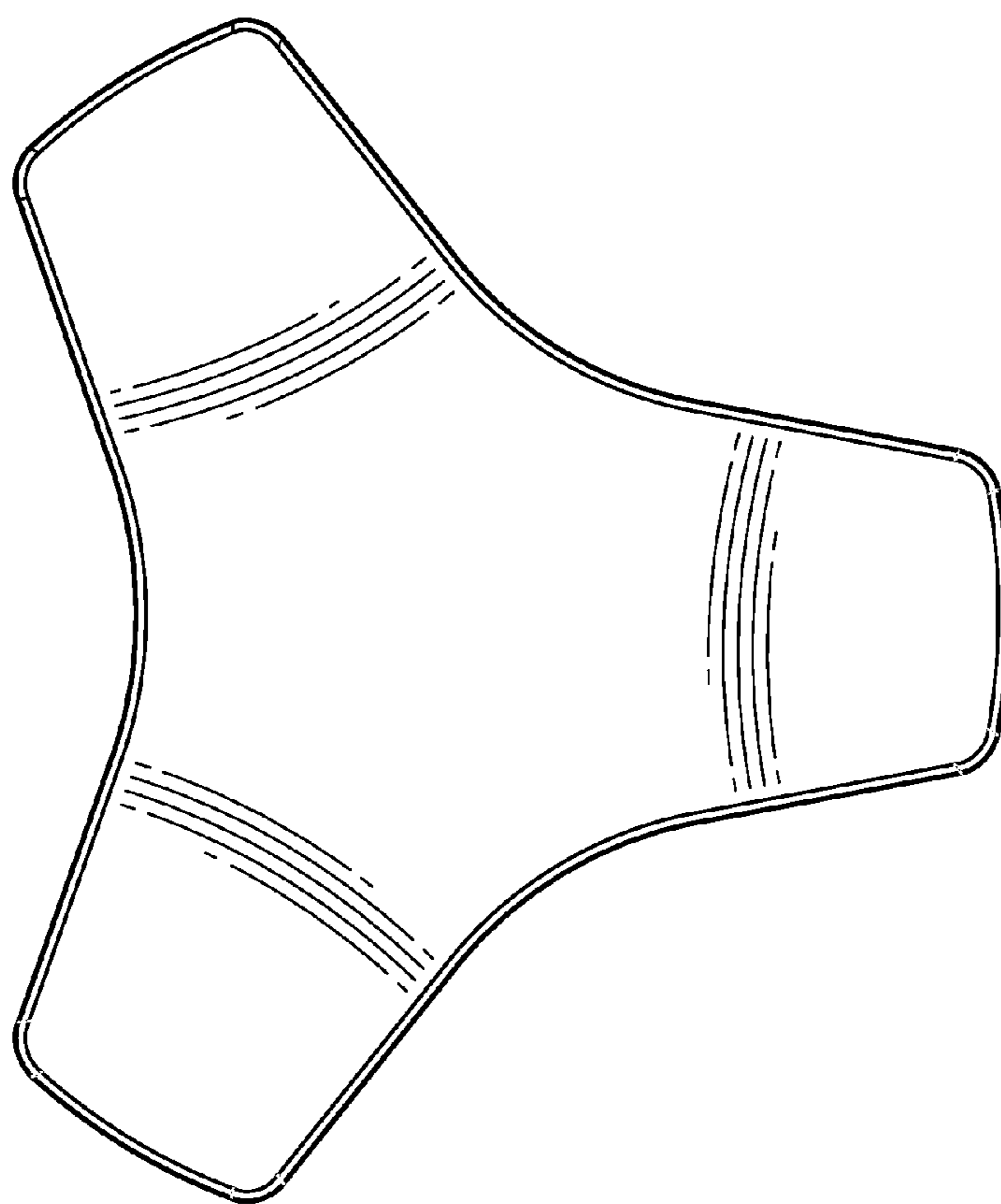


FIG. 3