



US00D678719S

(12) **United States Design Patent**
Ortiz

(10) **Patent No.:** **US D678,719 S**
(45) **Date of Patent:** **** Mar. 26, 2013**

- (54) **COOKING SPLATTER SCREEN**
 - (76) Inventor: **Maria Elaine Ortiz**, Freeville, NY (US)
 - (**) Term: **14 Years**
 - (21) Appl. No.: **29/420,176**
 - (22) Filed: **May 4, 2012**
 - (51) **LOC (9) Cl.** **07-02**
 - (52) **U.S. Cl.** **D7/402**
 - (58) **Field of Classification Search** D7/323,
D7/354-361, 387, 391, 402-408, 409, 213,
D7/667, 369; 30/129; 99/341, 403, 413,
99/418; 126/21 R, 25 R, 9 R, 214 D, 299 C,
126/383.1; 150/154; 220/369-370, 731,
220/912; D6/449
- See application file for complete search history.

- D562,589 S * 2/2008 Mellon D6/449
- D567,597 S * 4/2008 Shamoon D7/667
- D621,655 S 8/2010 Zemel
- D635,825 S 4/2011 Borovicka et al.
- D639,112 S 6/2011 Johnston
- D639,603 S 6/2011 Degnan
- D640,501 S 6/2011 Zemel
- D648,175 S 11/2011 Zemel
- D650,635 S 12/2011 Luo
- D653,497 S 2/2012 Cloutier et al.

* cited by examiner

Primary Examiner — T. Chase Nelson
Assistant Examiner — Mark Cavanna
(74) *Attorney, Agent, or Firm* — QuickPatents; Kevin Prince

(57) **CLAIM**
I claim the ornamental design for a cooking splatter screen, as shown and described.

DESCRIPTION

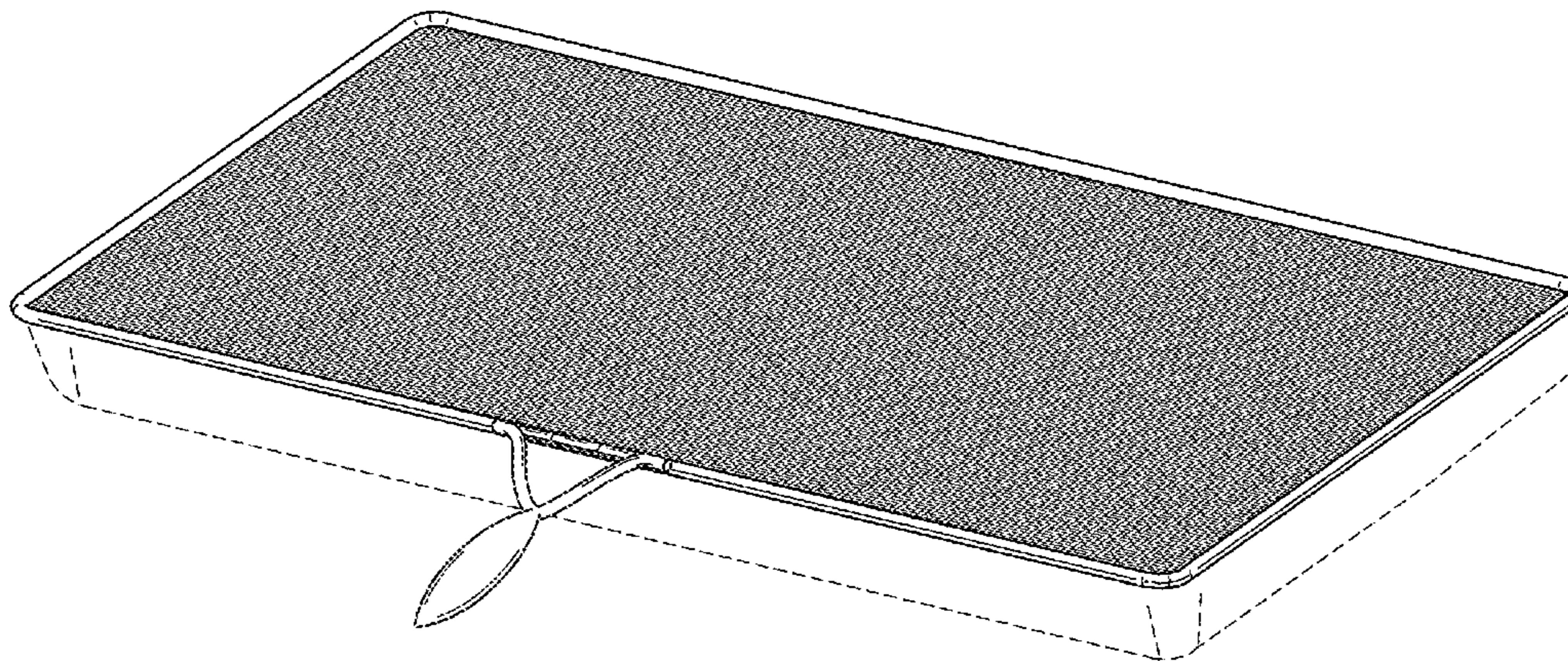
FIG. 1 is a perspective view of a cooking splatter screen, showing my new design with a handle in a fully extended position;
FIG. 2 is a top plan view of FIG. 1;
FIG. 3 is a front elevational view of FIG. 1;
FIG. 4 is a rear elevational view of FIG. 1;
FIG. 5 is a left-side elevational view of FIG. 1, the right-side elevational view being a mirror image thereof;
FIG. 6 is a bottom plan view of FIG. 1;
FIG. 7 is a top plan view thereof, illustrated with the handle in a collapsed position; and,
FIG. 8 is a left-side elevational view of FIG. 7, the right-side elevational view being a mirror image thereof.
The broken lines showing a pan in FIG. 1 depict environmental matter and form no part of the claimed design.

1 Claim, 4 Drawing Sheets

(56) **References Cited**

U.S. PATENT DOCUMENTS

- 3,452,895 A * 7/1969 Kalkowski 220/370
- 3,797,693 A 3/1974 Baker
- 3,807,596 A * 4/1974 Baker 220/369
- 4,103,420 A * 8/1978 Davis 30/129
- 4,189,993 A * 2/1980 Kaufman 99/403
- D302,637 S * 8/1989 Hiscott et al. D7/667
- D361,468 S * 8/1995 Wilkes D7/361
- D386,945 S * 12/1997 Mendoza et al. D7/402
- 5,992,675 A * 11/1999 Kerr 220/370
- D420,249 S * 2/2000 Varakian et al. D7/391
- D422,175 S * 4/2000 Varakian et al. D7/387
- 6,056,146 A * 5/2000 Varakian et al. 220/370
- 6,135,014 A 10/2000 Chang
- D457,393 S 5/2002 Lewis
- D494,427 S * 8/2004 Kaposi et al. D7/369
- D495,922 S * 9/2004 Settele D7/391
- D513,462 S * 1/2006 VanGilder et al. D7/391
- D538,587 S * 3/2007 Settele D7/391



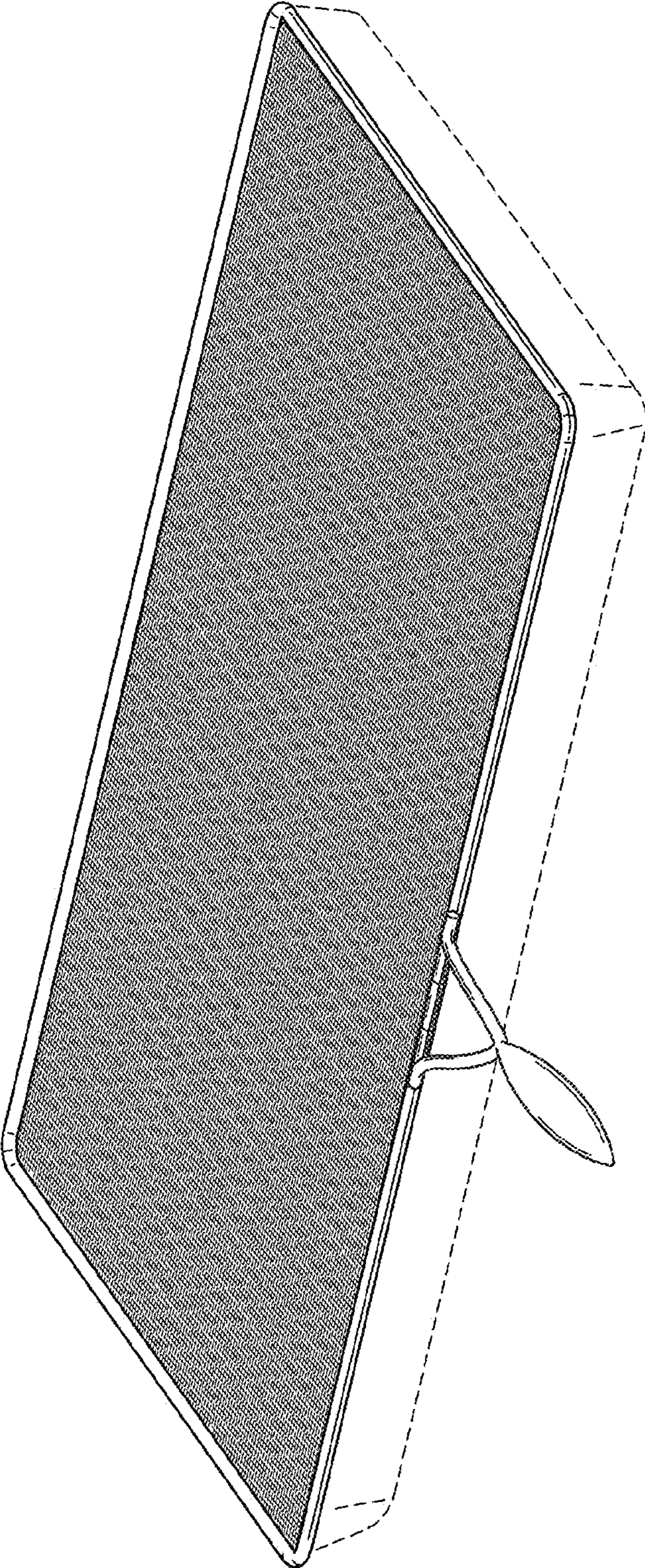


FIG. 1

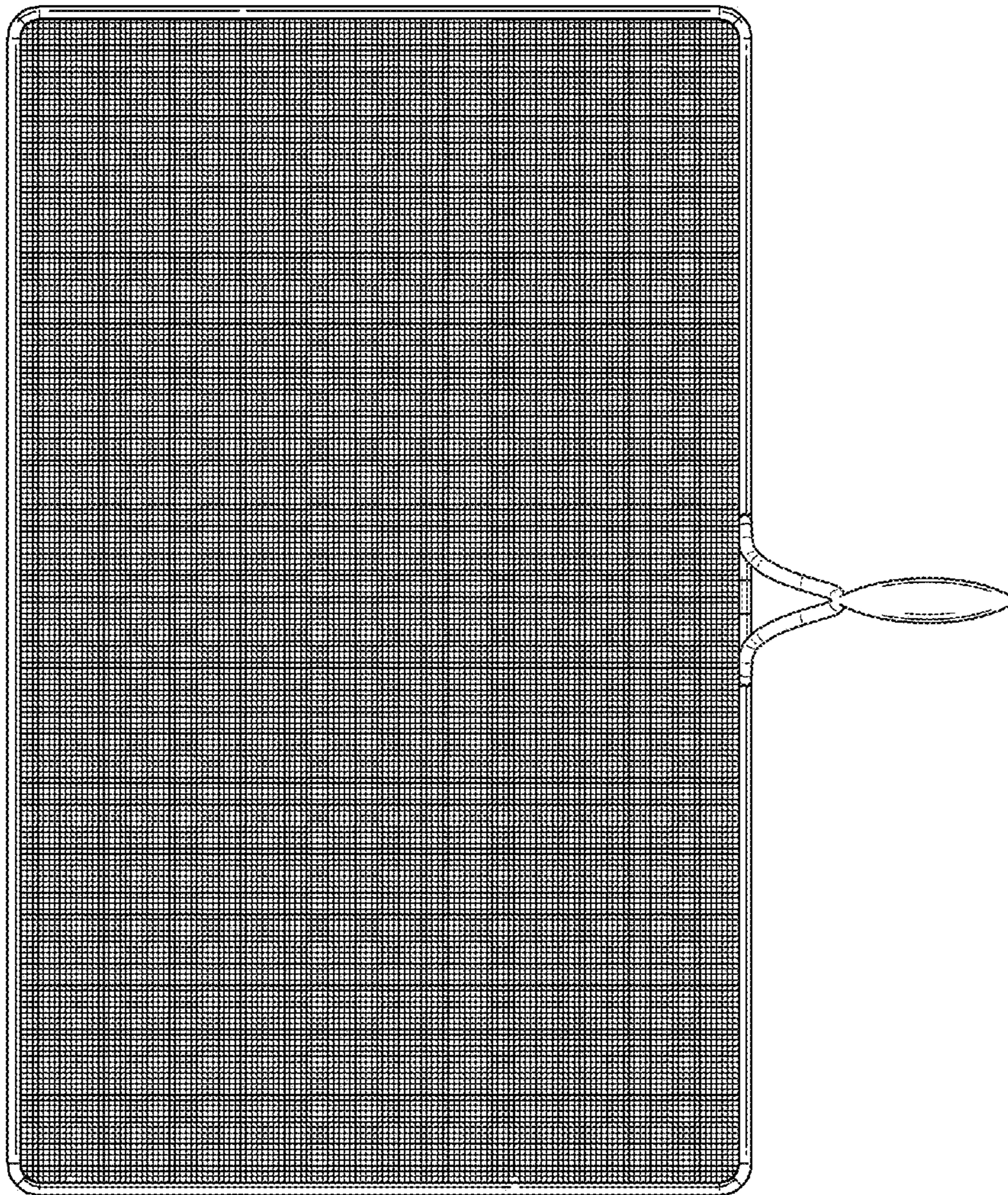


FIG. 2

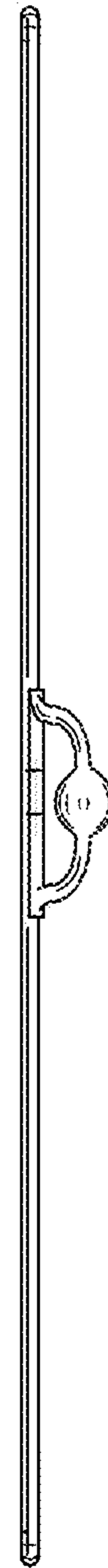


FIG. 3



FIG. 5

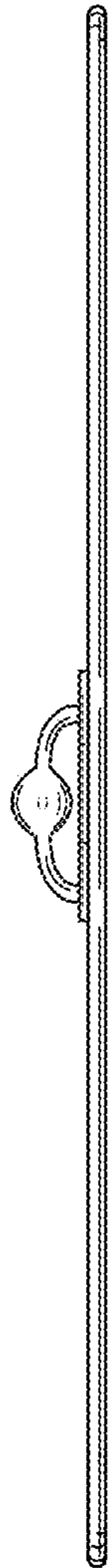


FIG. 4

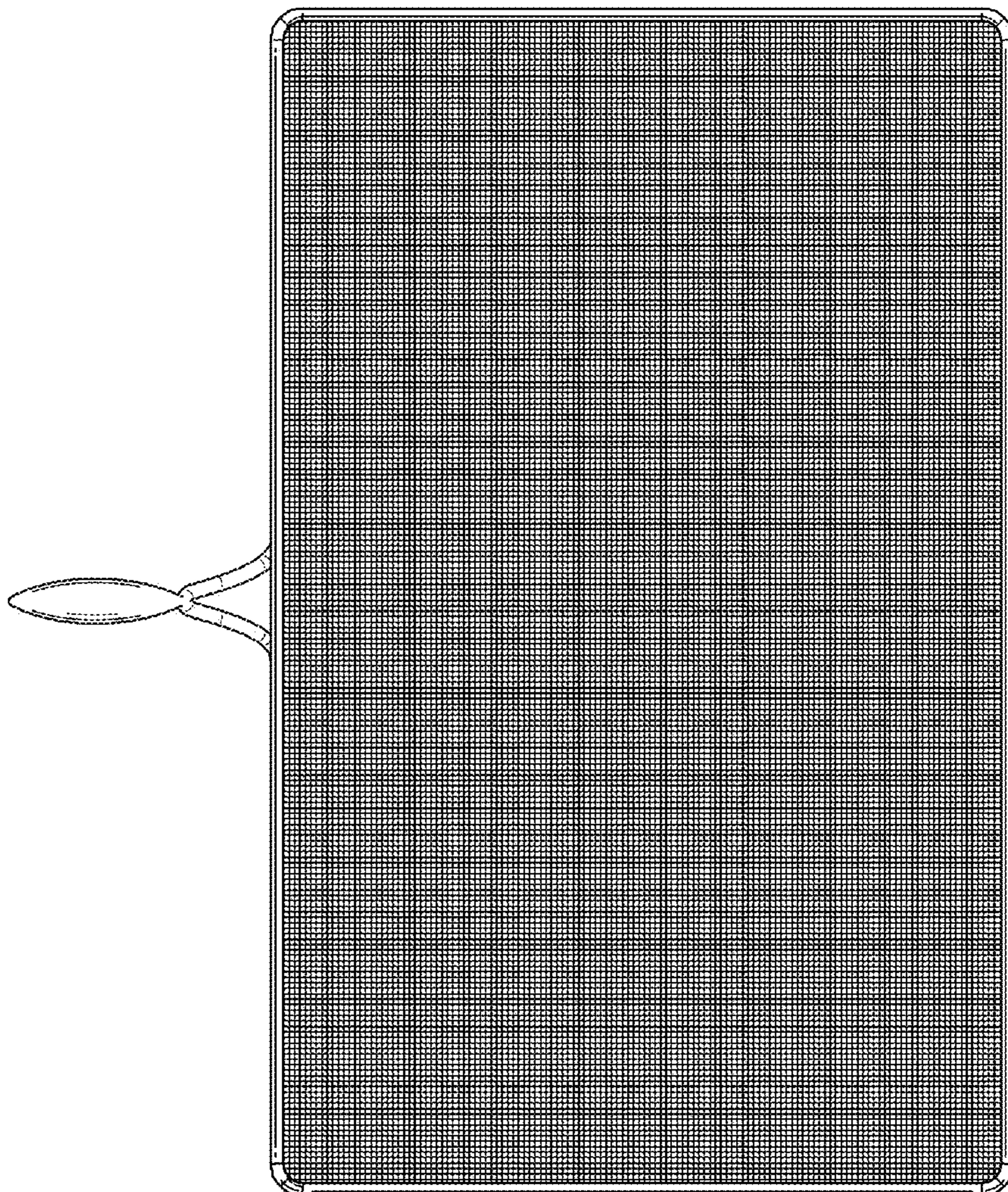


FIG. 6

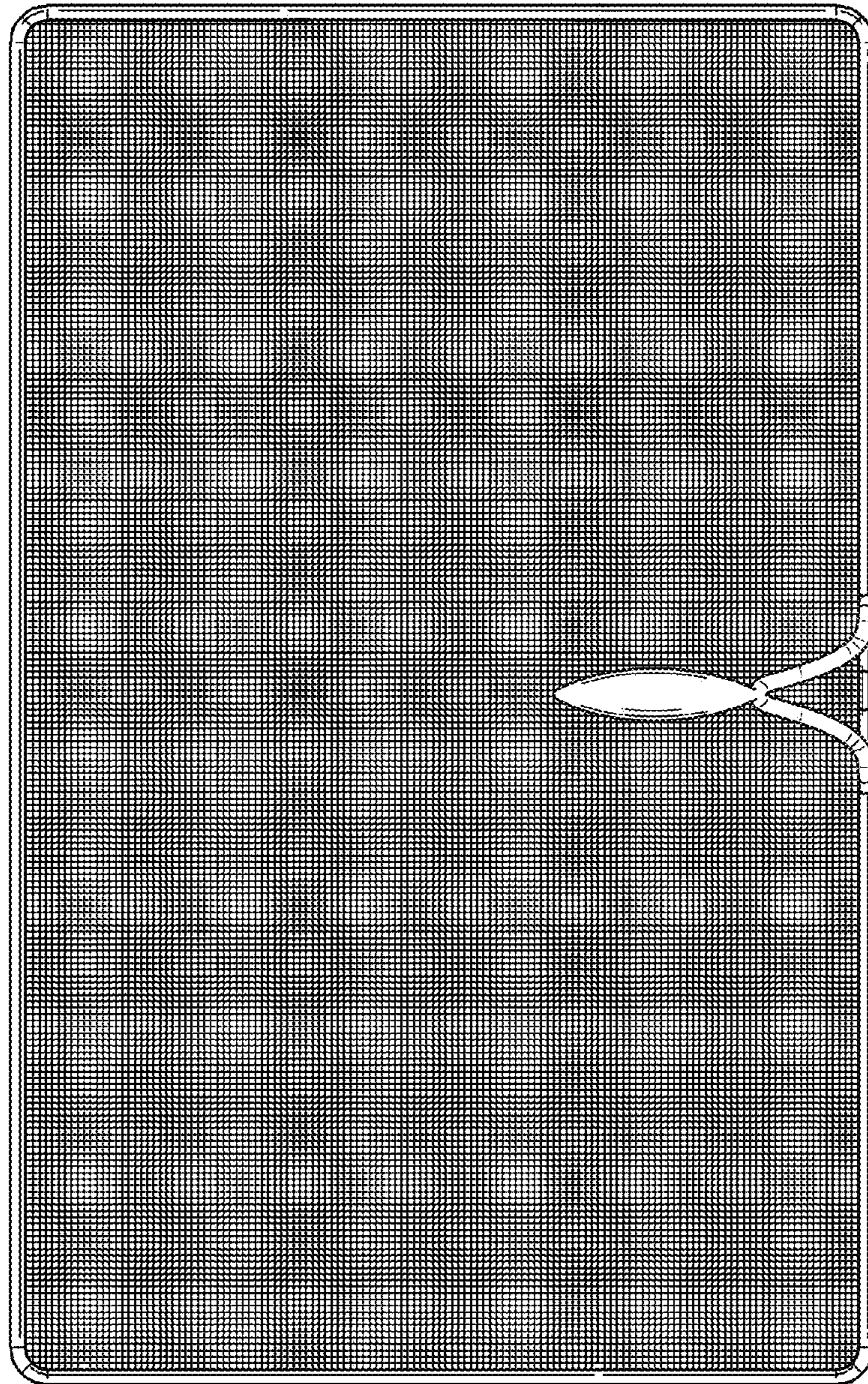


FIG. 7



FIG. 8