



US00D678718S

(12) **United States Design Patent**
Grassia

(10) **Patent No.:** **US D678,718 S**
(45) **Date of Patent:** **** Mar. 26, 2013**

(54) **ESPRESSO MACHINE**
(75) Inventor: **Robert Grassia**, Summer Hill (AU)
(73) Assignee: **Breville Pty Limited**, Botany, New South Wales (AU)
(**) Term: **14 Years**
(21) Appl. No.: **29/396,443**
(22) Filed: **Jun. 30, 2011**

D553,416 S *	10/2007	Lin	D7/309
D556,495 S *	12/2007	Davenport	D7/309
D575,977 S *	9/2008	Rose	D7/309
D586,170 S *	2/2009	Jordana	D7/309
D590,651 S *	4/2009	O'Loughlin	D7/309
D593,356 S *	6/2009	Grassia	D7/309
D597,781 S *	8/2009	Siu	D7/309
D607,259 S *	1/2010	De Pra'	D7/309
D626,368 S *	11/2010	De Pra'	D7/309
D634,963 S *	3/2011	Romandy	D7/306
D640,083 S *	6/2011	Davenport	D7/309
D646,109 S *	10/2011	Zoppellari	D7/309
D661,159 S *	6/2012	Curtis et al.	D7/399
D669,295 S *	10/2012	Koury et al.	D7/310

* cited by examiner

(30) **Foreign Application Priority Data**
Mar. 24, 2011 (AU) 11287/2011
(51) **LOC (9) Cl.** **07-99**
(52) **U.S. Cl.** **D7/399; D7/397; D7/309; D7/311**
(58) **Field of Classification Search** **D7/306-311, D7/300, 397, 399; 99/297, 299, 300**
See application file for complete search history.

Primary Examiner — Marianne Pandozzi
(74) *Attorney, Agent, or Firm* — Michael Molins

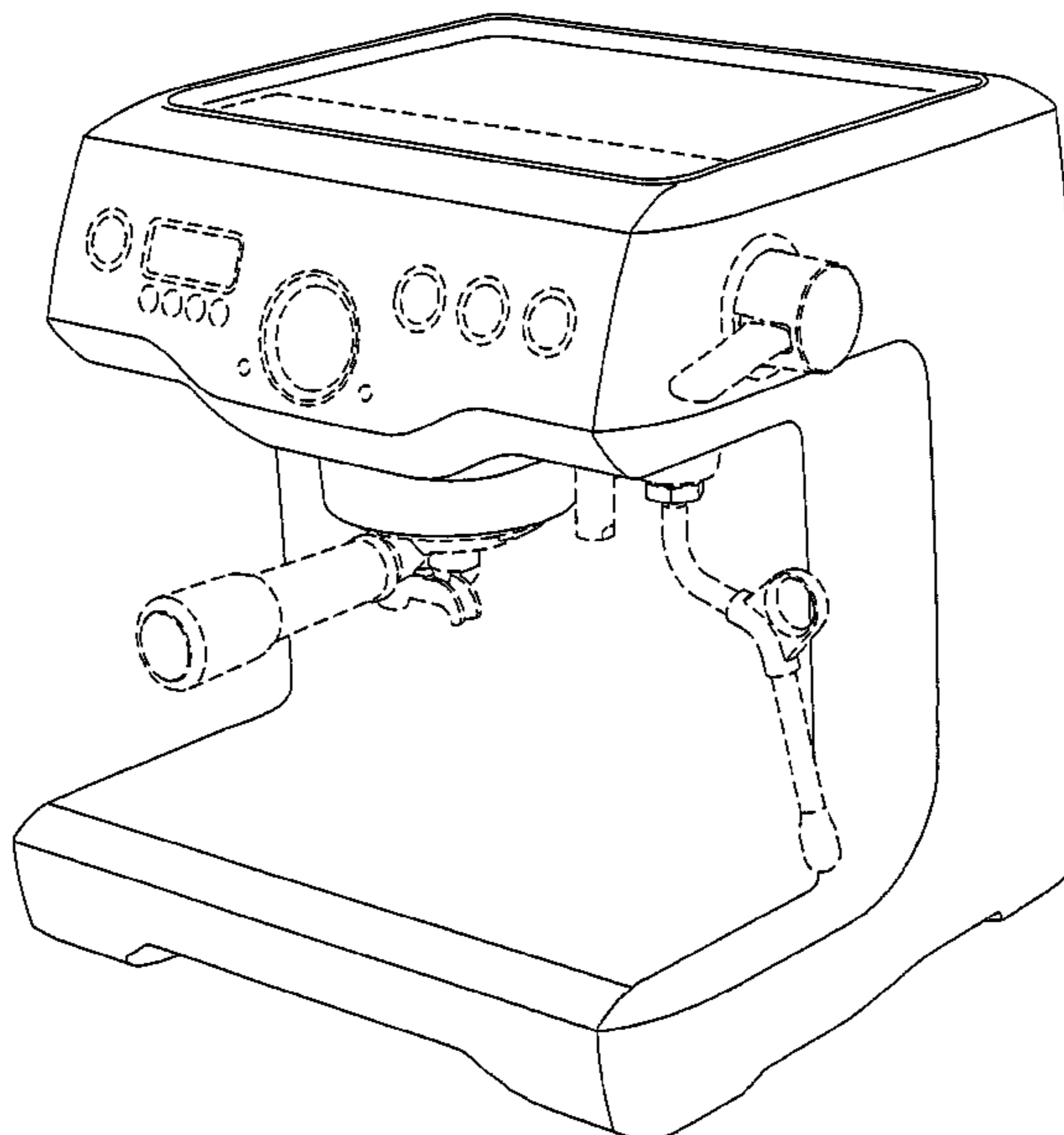
(56) **References Cited**
U.S. PATENT DOCUMENTS
D299,999 S * 2/1989 Pandolfi D7/309
D342,860 S * 1/1994 Azpiri D7/309
D354,193 S * 1/1995 Storsberg D7/309
D431,748 S * 10/2000 Cahen D7/309
D431,749 S * 10/2000 Cahen D7/309
D431,750 S * 10/2000 Cahen D7/309
D431,751 S * 10/2000 Cahen D7/309
D449,198 S * 10/2001 Cahen D7/309
D449,199 S * 10/2001 Cahen D7/309
D449,488 S * 10/2001 Cahen D7/309
D477,963 S * 8/2003 Cahen D7/309
D514,370 S * 2/2006 Jacques D7/309

(57) **CLAIM**
The ornamental design for an espresso machine, as shown and described.

DESCRIPTION

FIG. 1 is a back view of an espresso machine showing my new design;
FIG. 2 is a right side view thereof;
FIG. 3 is a front view thereof;
FIG. 4 is a left side view thereof;
FIG. 5 is a top view thereof;
FIG. 6 is a bottom view thereof;
FIG. 7 is a front perspective view thereof; and,
FIG. 8 is a back perspective view thereof.
The broken lines shown in the drawings are for illustrative purposes only and form no part of the claimed design.

1 Claim, 8 Drawing Sheets



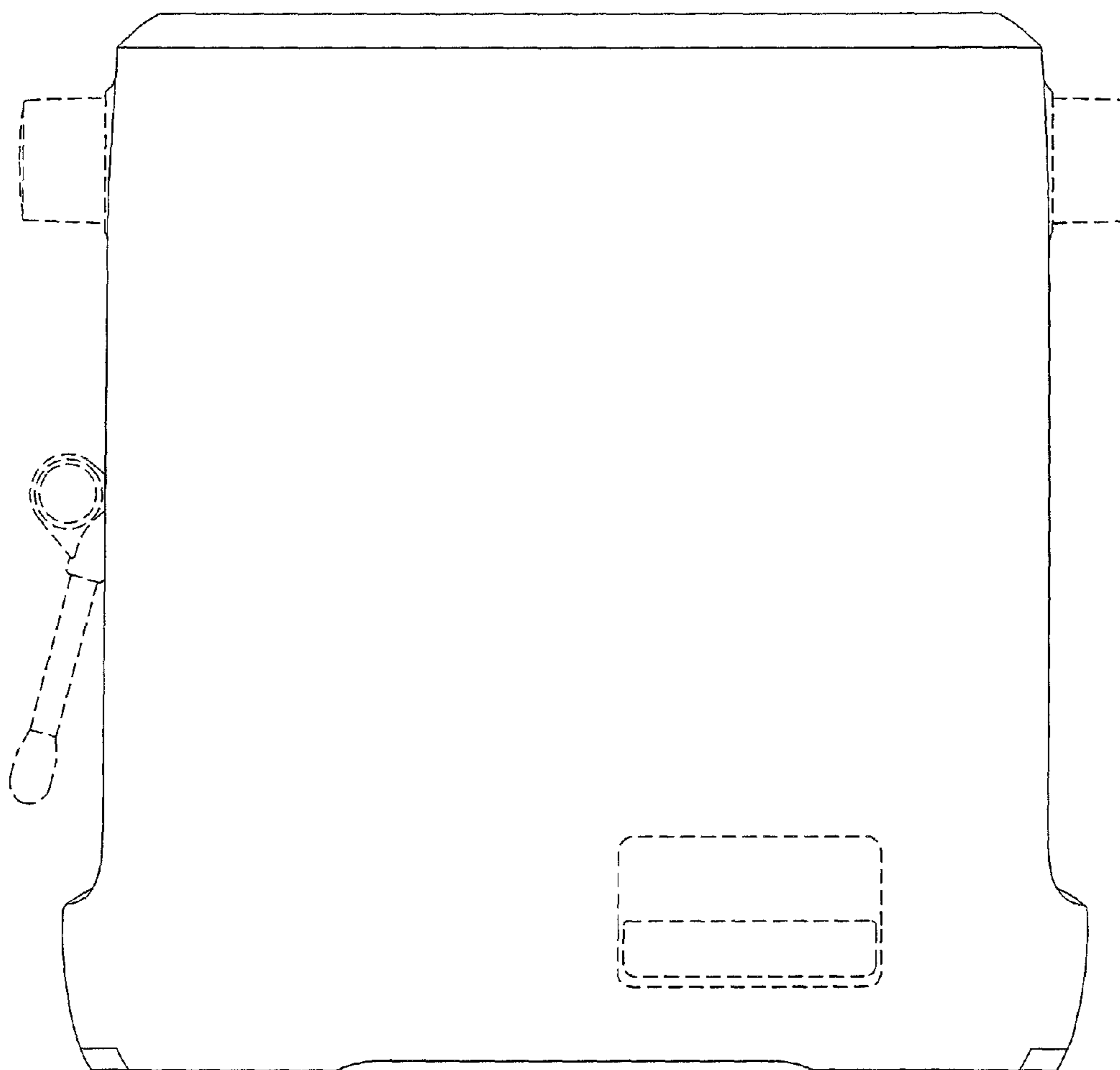


Figure 1

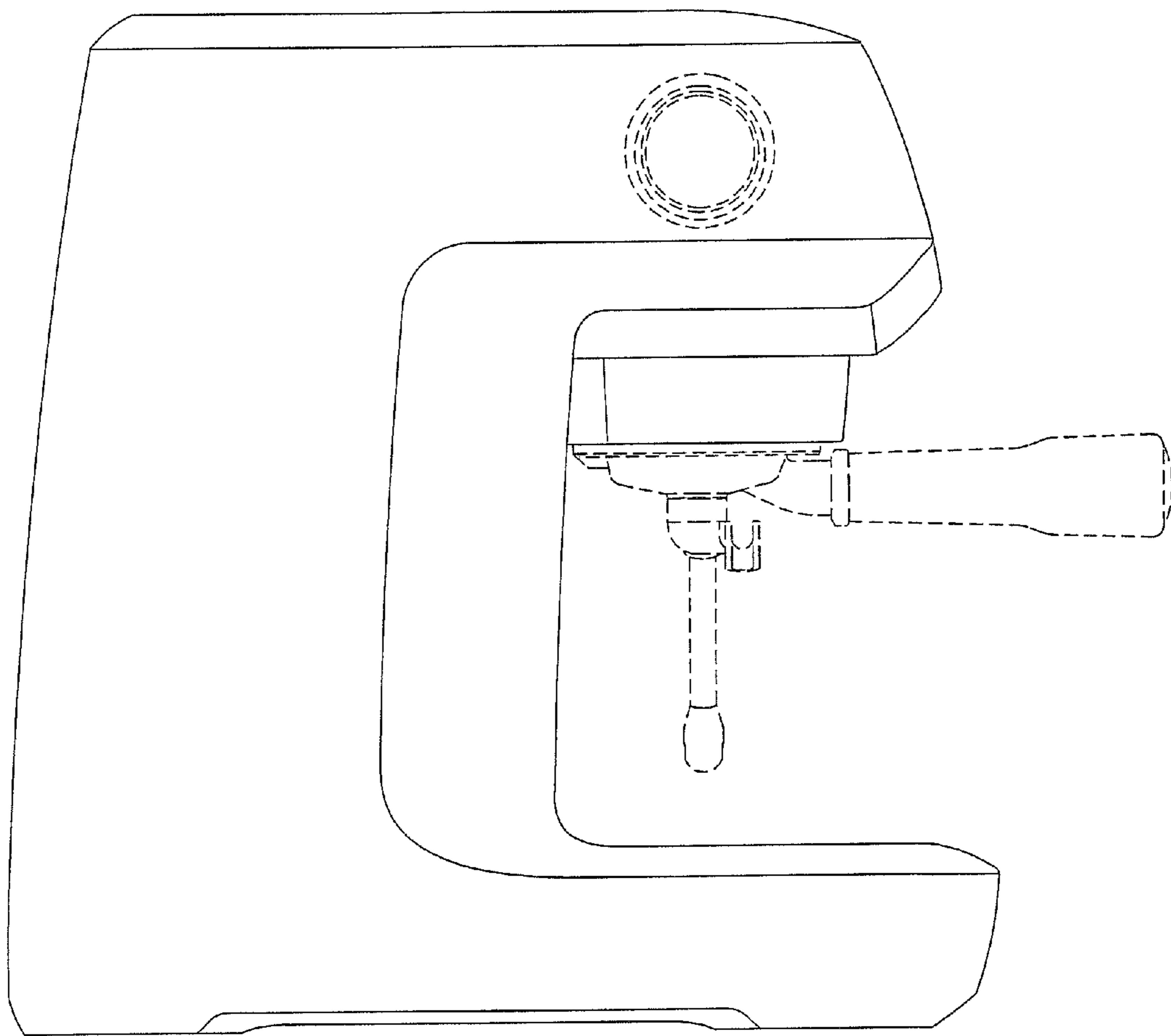


Figure 2

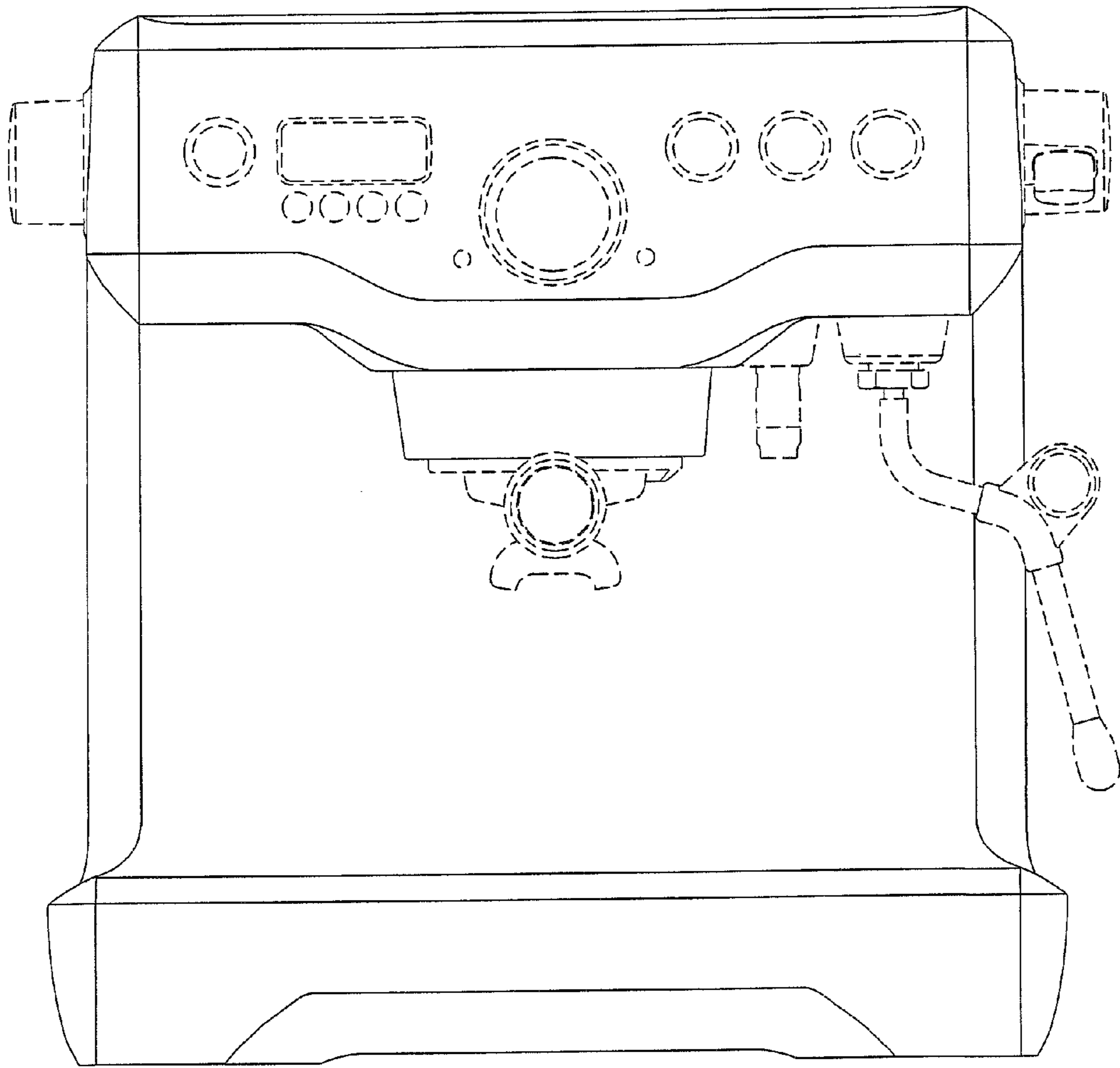


Figure 3

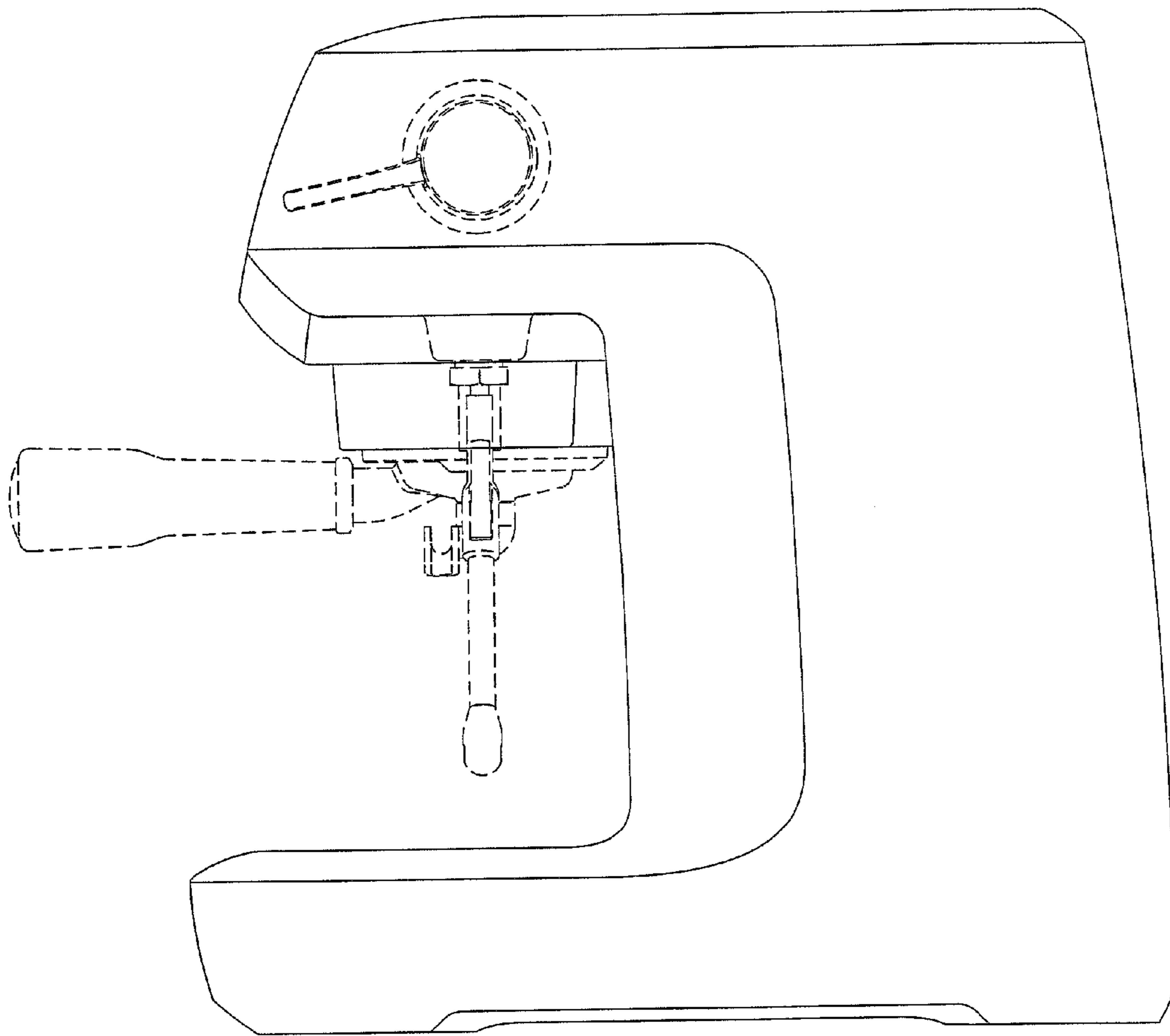


Figure 4

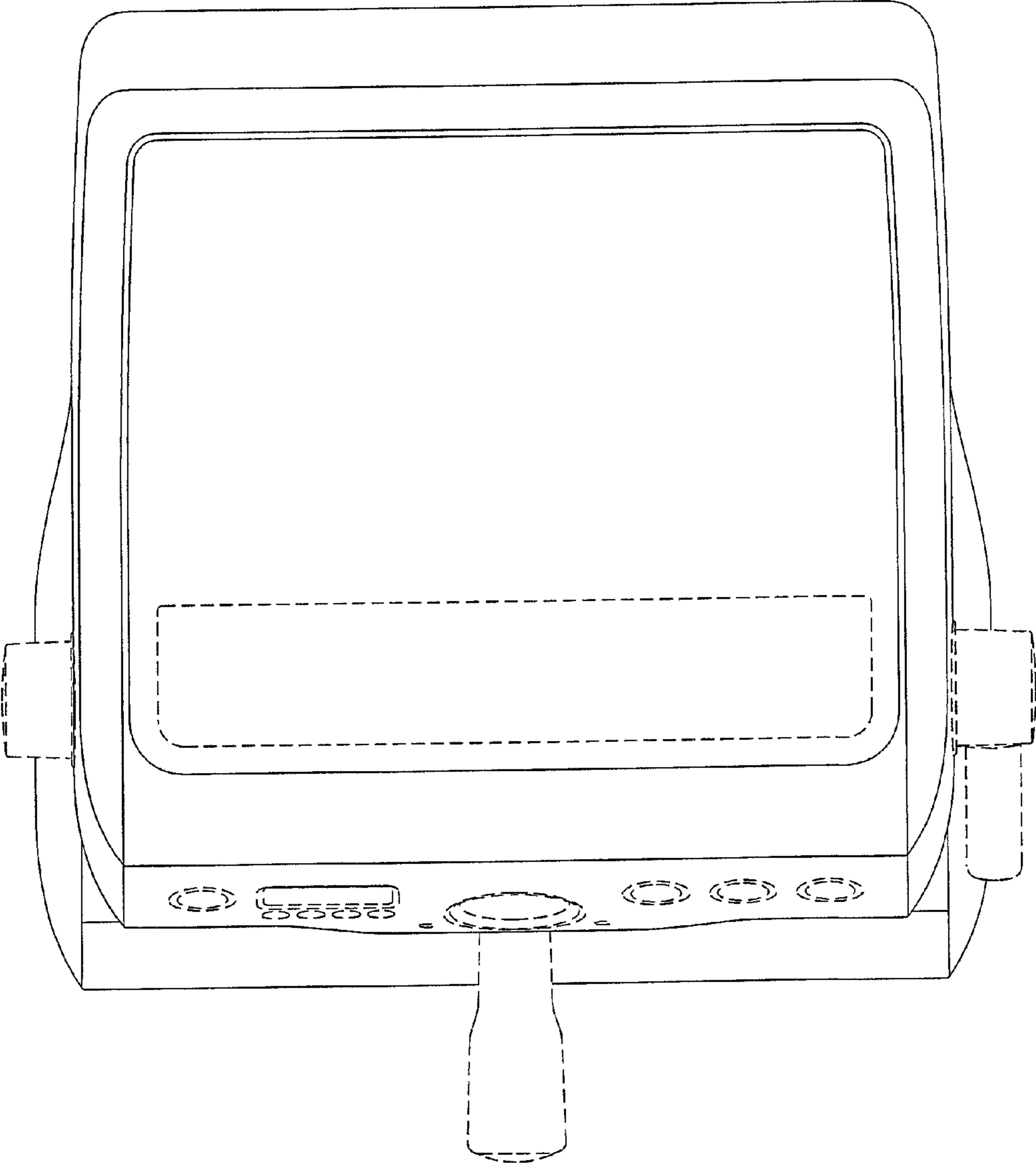


Figure 5

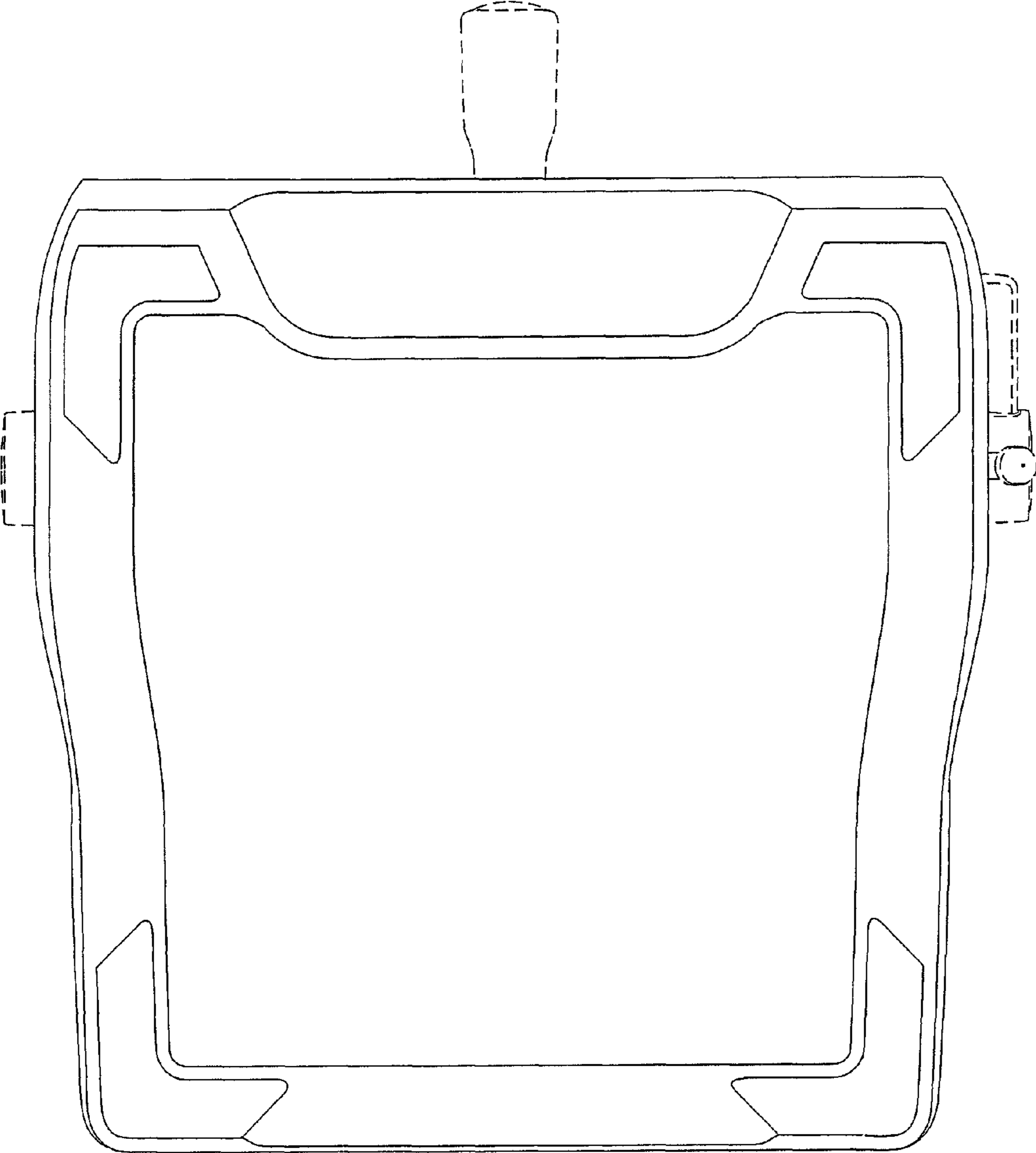


Figure 6

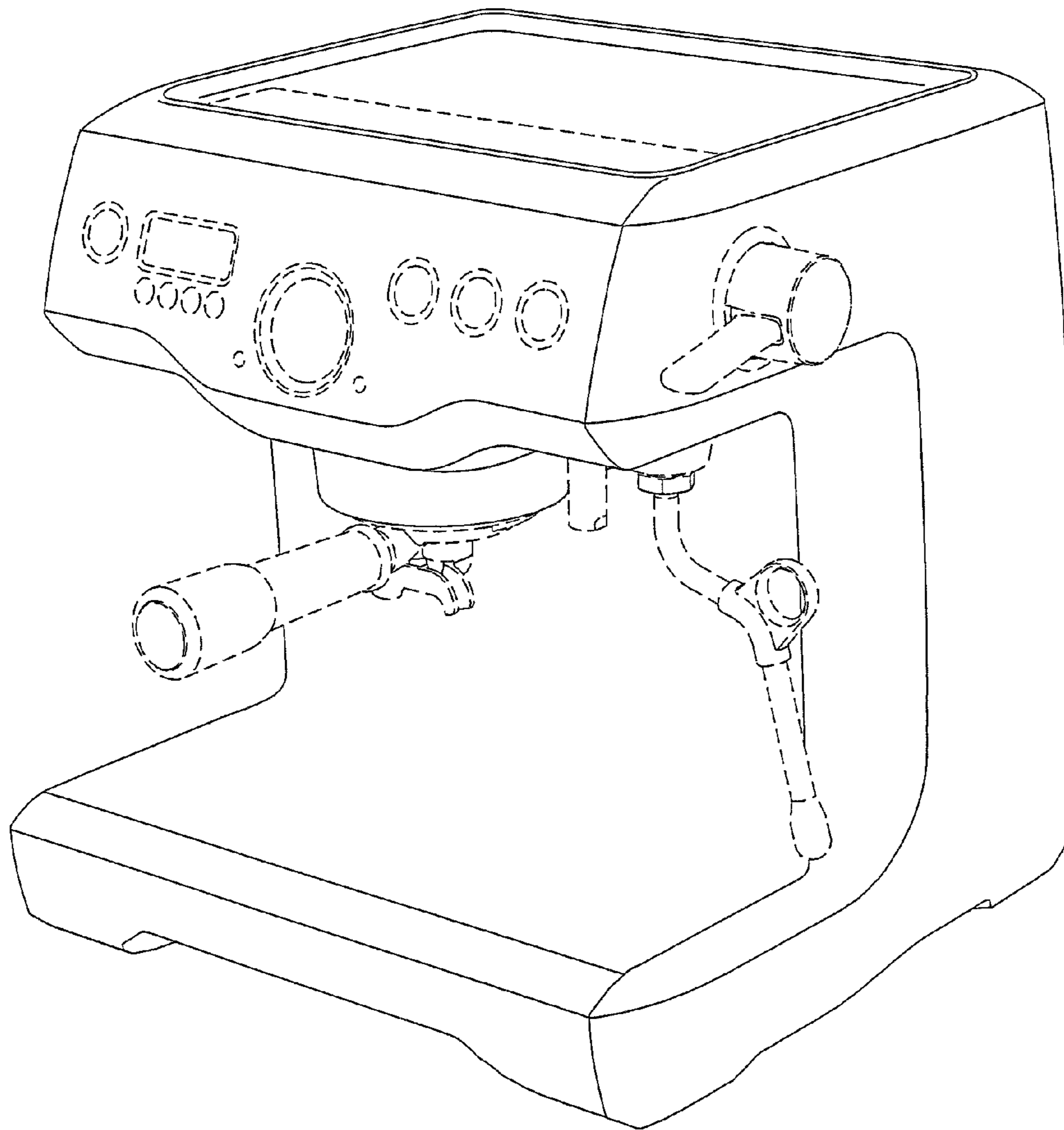


Figure 7

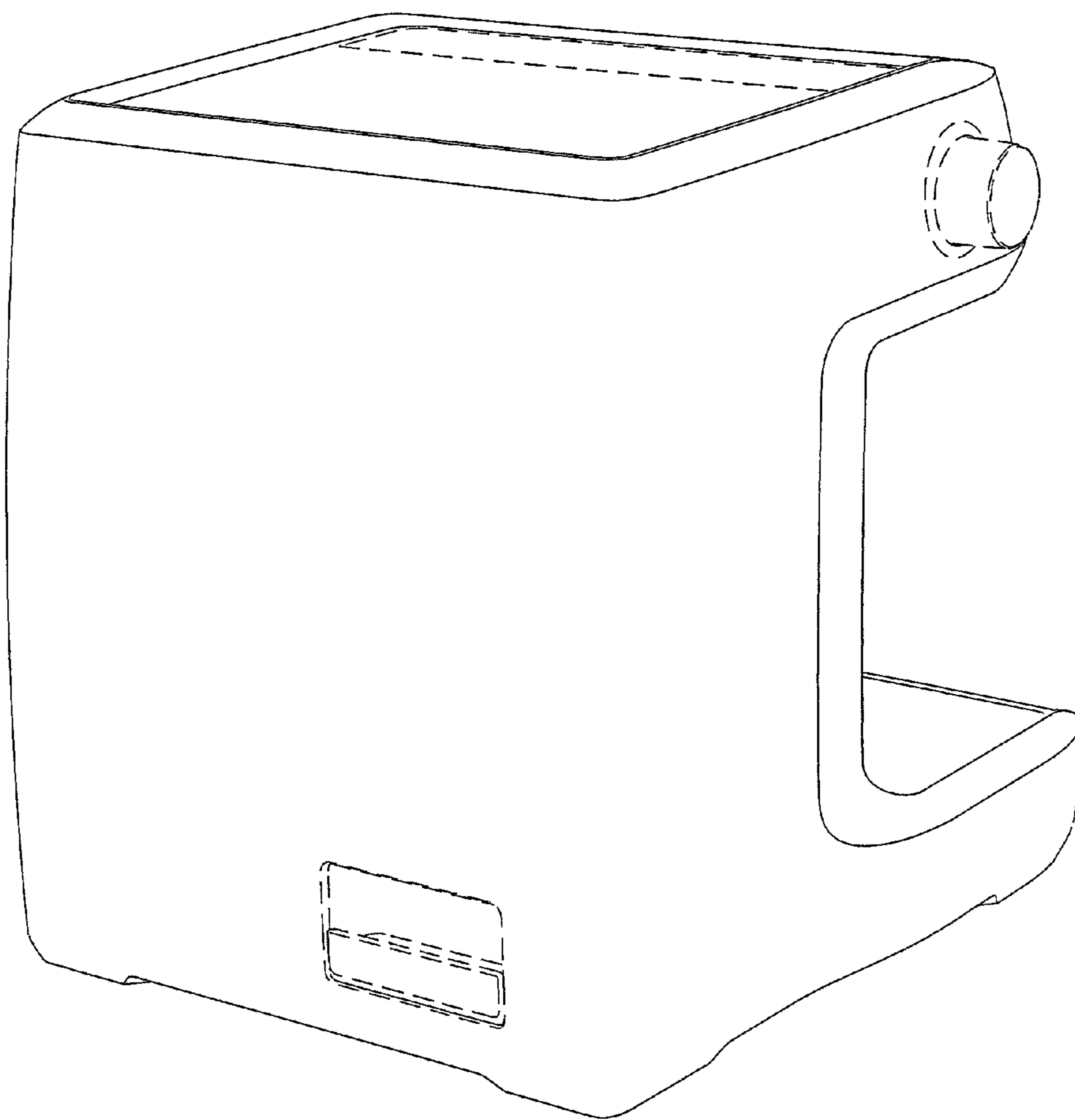


Figure 8