



US00D678714S

(12) **United States Design Patent**
Ru

(10) **Patent No.:** **US D678,714 S**
(45) **Date of Patent:** **** Mar. 26, 2013**

(54) **VESSEL CAP**

(76) Inventor: **Sidney Ru**, Arcadia, CA (US)

(**) Term: **14 Years**

(21) Appl. No.: **29/403,242**

(22) Filed: **Oct. 3, 2011**

(51) **LOC (9) Cl.** **07-02**

(52) **U.S. Cl.** **D7/392**

(58) **Field of Classification Search** D7/391,
D7/392, 392.1, 393, 396.2, 509-511, 629,
D7/900; D9/435, 443, 445, 446, 447, 449,
D9/452-455; 220/235, 254.3, 288, 522,
220/780, 788, 792, 793; 215/206, 220, 228

See application file for complete search history.

(56) **References Cited**

U.S. PATENT DOCUMENTS

3,472,410	A *	10/1969	Turner	215/206
D267,782	S *	2/1983	Thompson	D9/447
4,858,758	A *	8/1989	Mitchell et al.	206/205
D405,192	S *	2/1999	Smith et al.	D24/227
D455,654	S *	4/2002	Gobe	D9/445

D518,719	S *	4/2006	von Spreckelsen et al.	...	D9/453
D547,657	S *	7/2007	Tacchella	D9/454
D552,992	S *	10/2007	Spencer	D9/454
D615,400	S *	5/2010	Usui et al.	D9/454
D630,509	S *	1/2011	Strelets	D9/443
D666,908	S *	9/2012	Dabah et al.	D9/445
2006/0191932	A1 *	8/2006	Bocola	220/254.3
2012/0043334	A1 *	2/2012	Nowzari	220/522

* cited by examiner

Primary Examiner — Susan E Krakower

(74) *Attorney, Agent, or Firm* — Clement Cheng

(57) **CLAIM**

The ornamental design for a vessel cap, as shown and described.

DESCRIPTION

FIG. 1 is a perspective view of a vessel cap showing my new invention.

FIG. 2 is a front view.

FIG. 3 is a rear view.

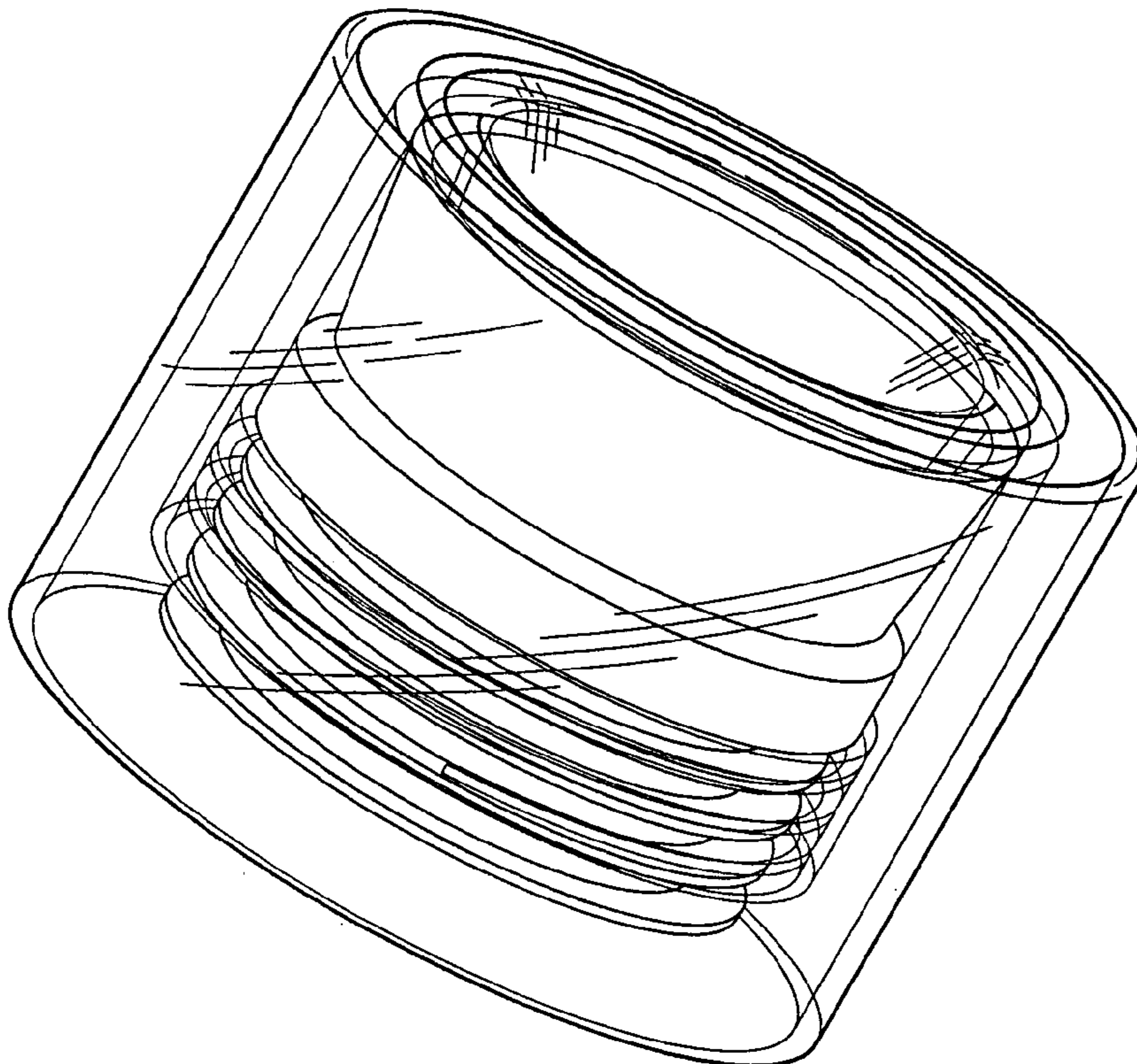
FIG. 4 is a left view.

FIG. 5 is a right view.

FIG. 6 is a top view; and,

FIG. 7 is a bottom view.

1 Claim, 4 Drawing Sheets



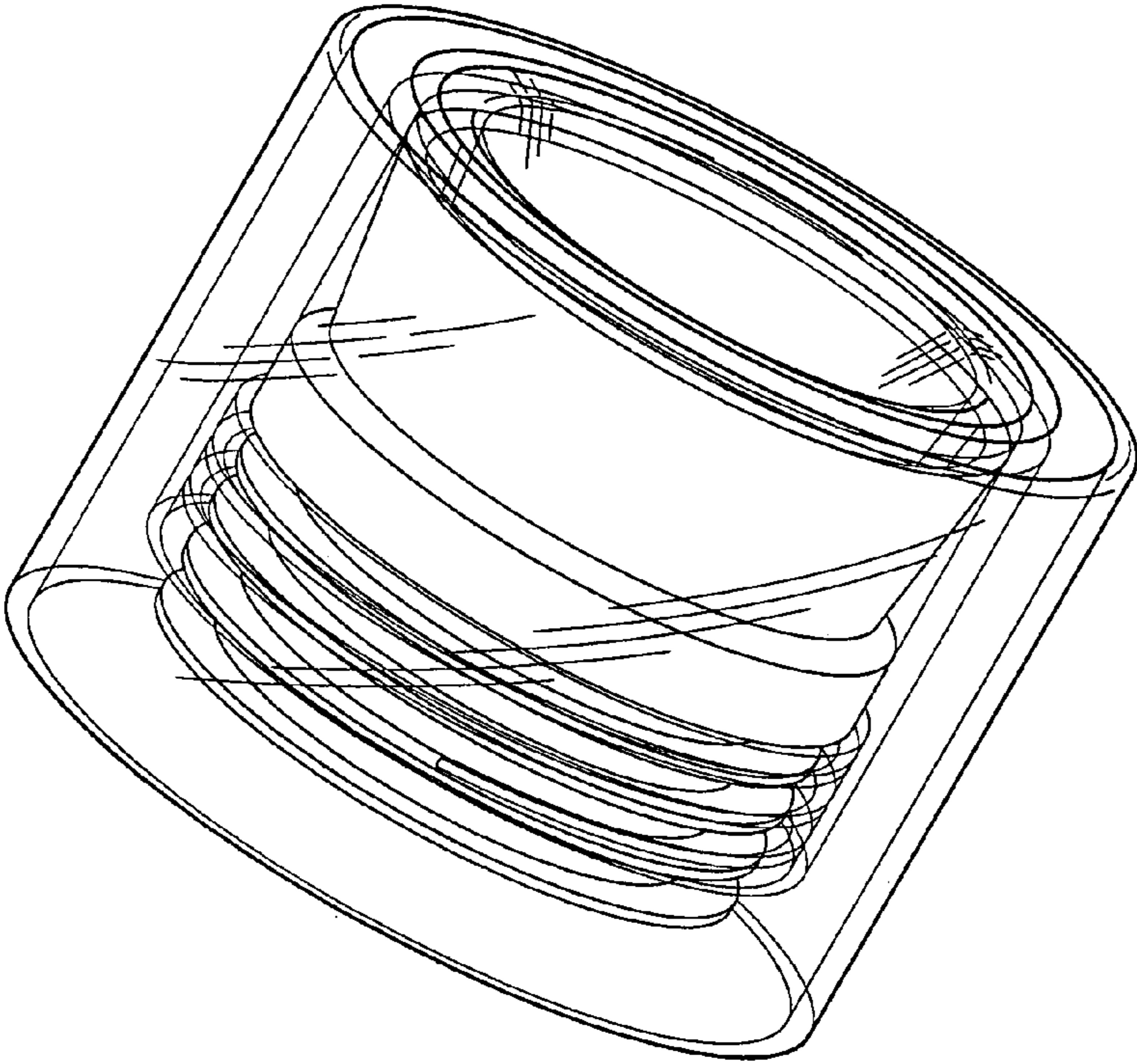


FIG. 1

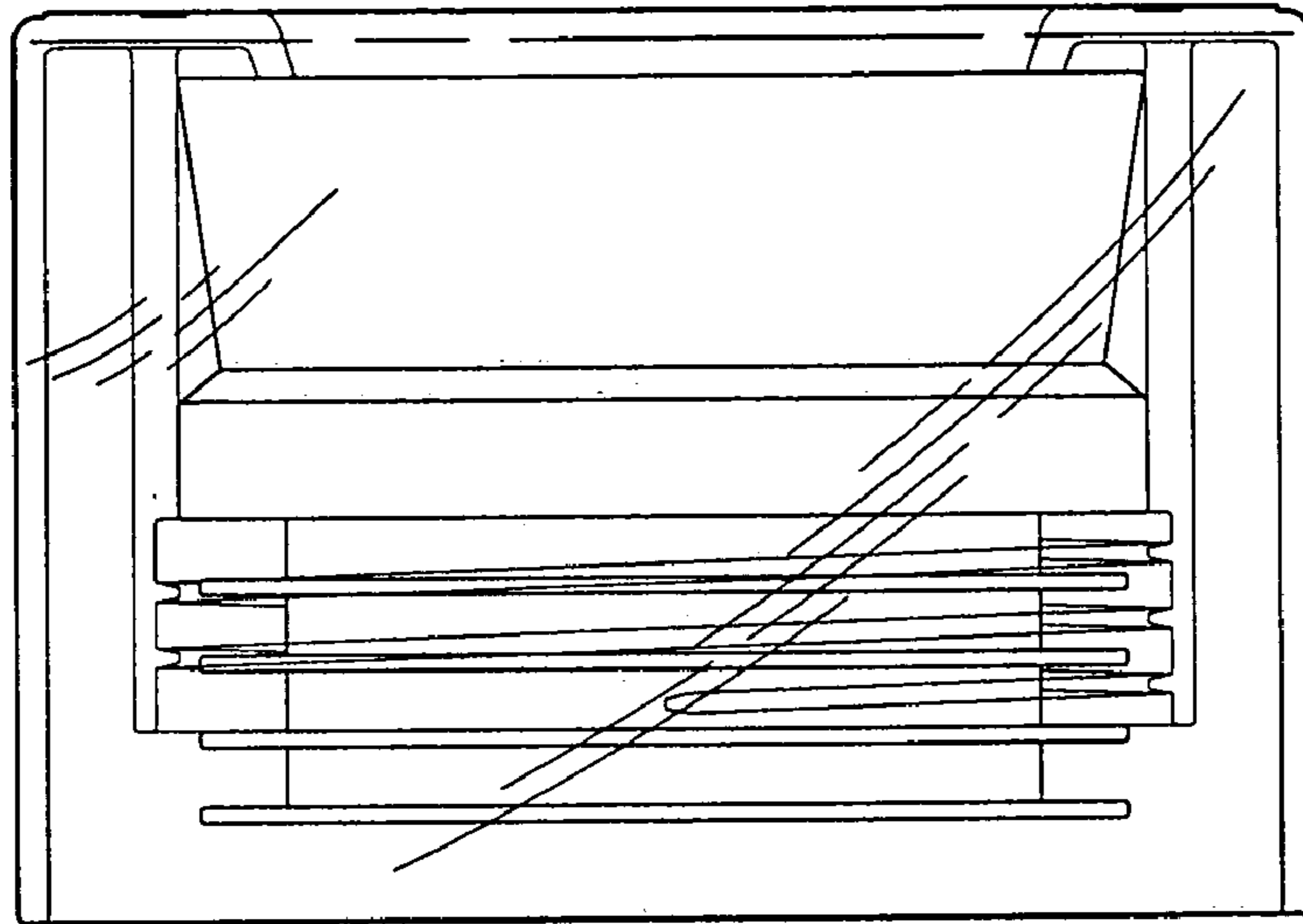


FIG. 2

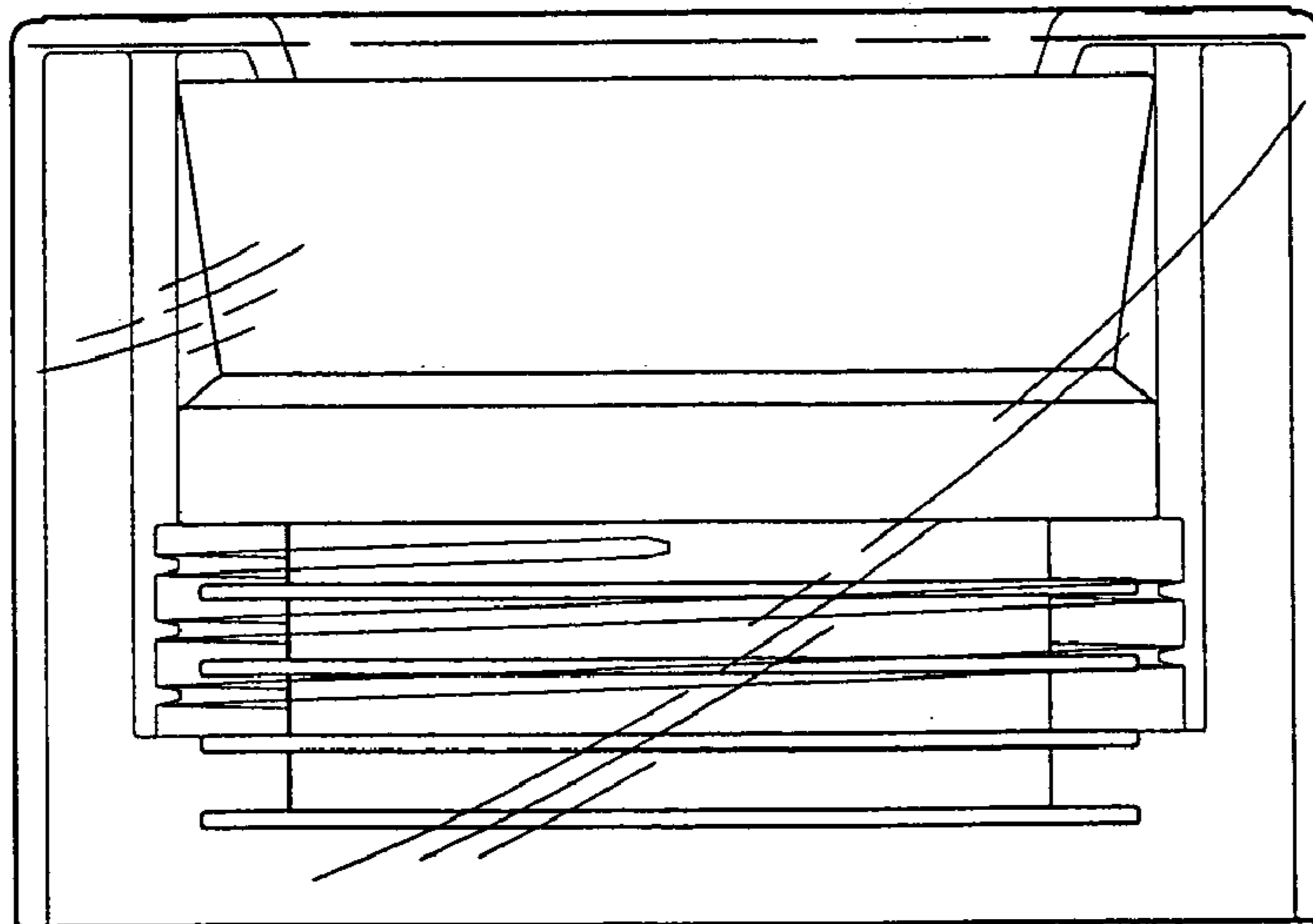


FIG. 3

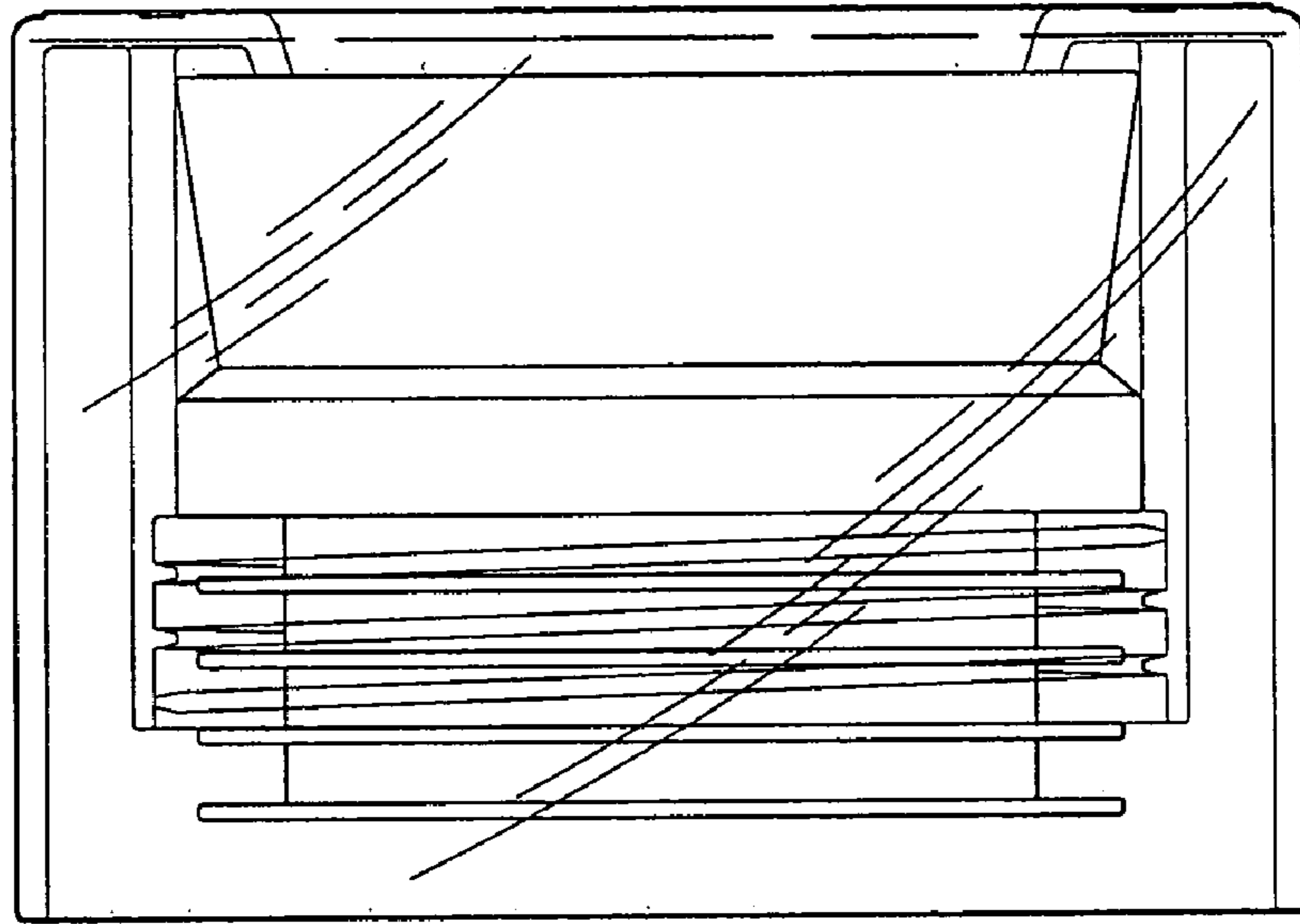


FIG. 4

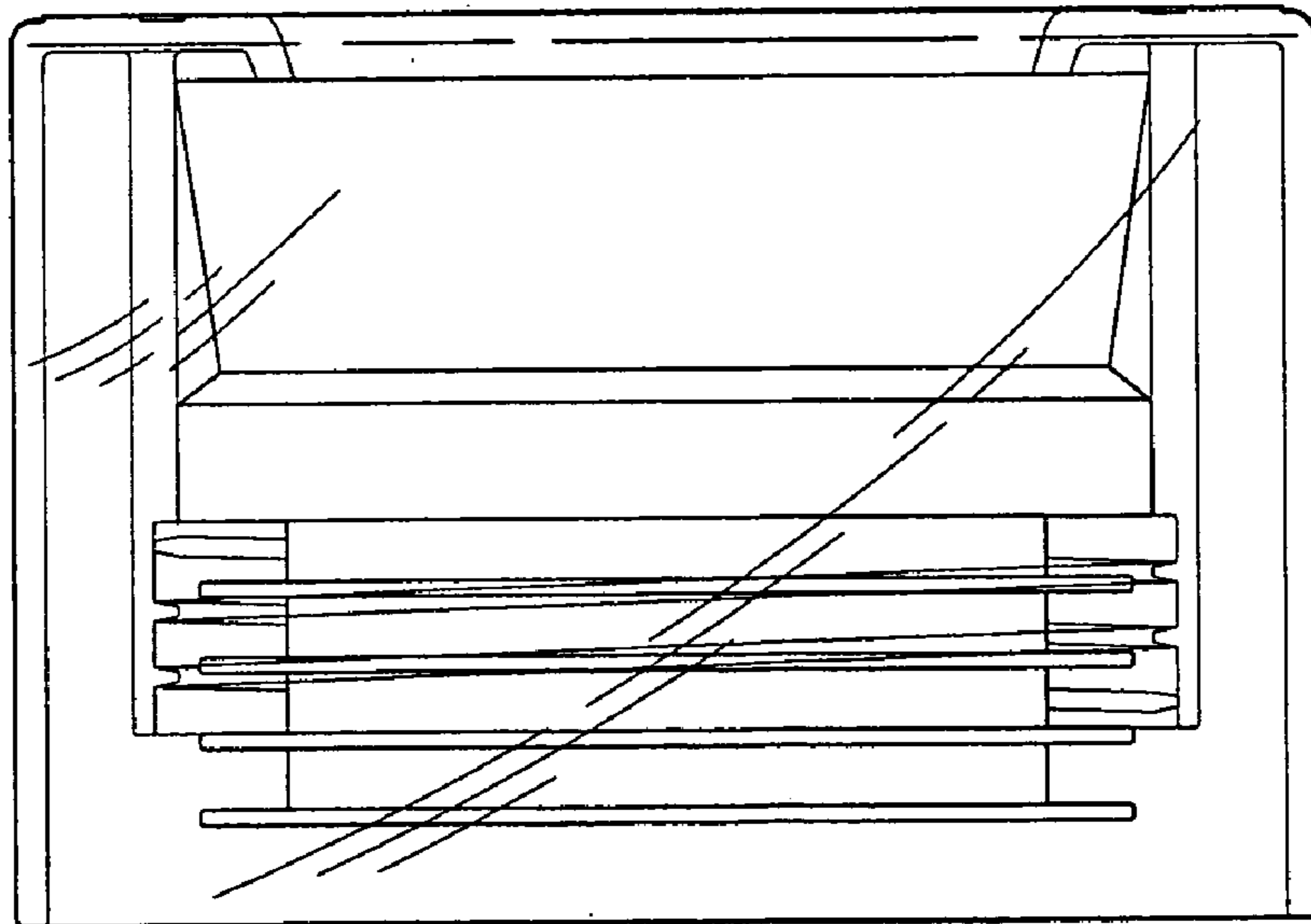


FIG. 5

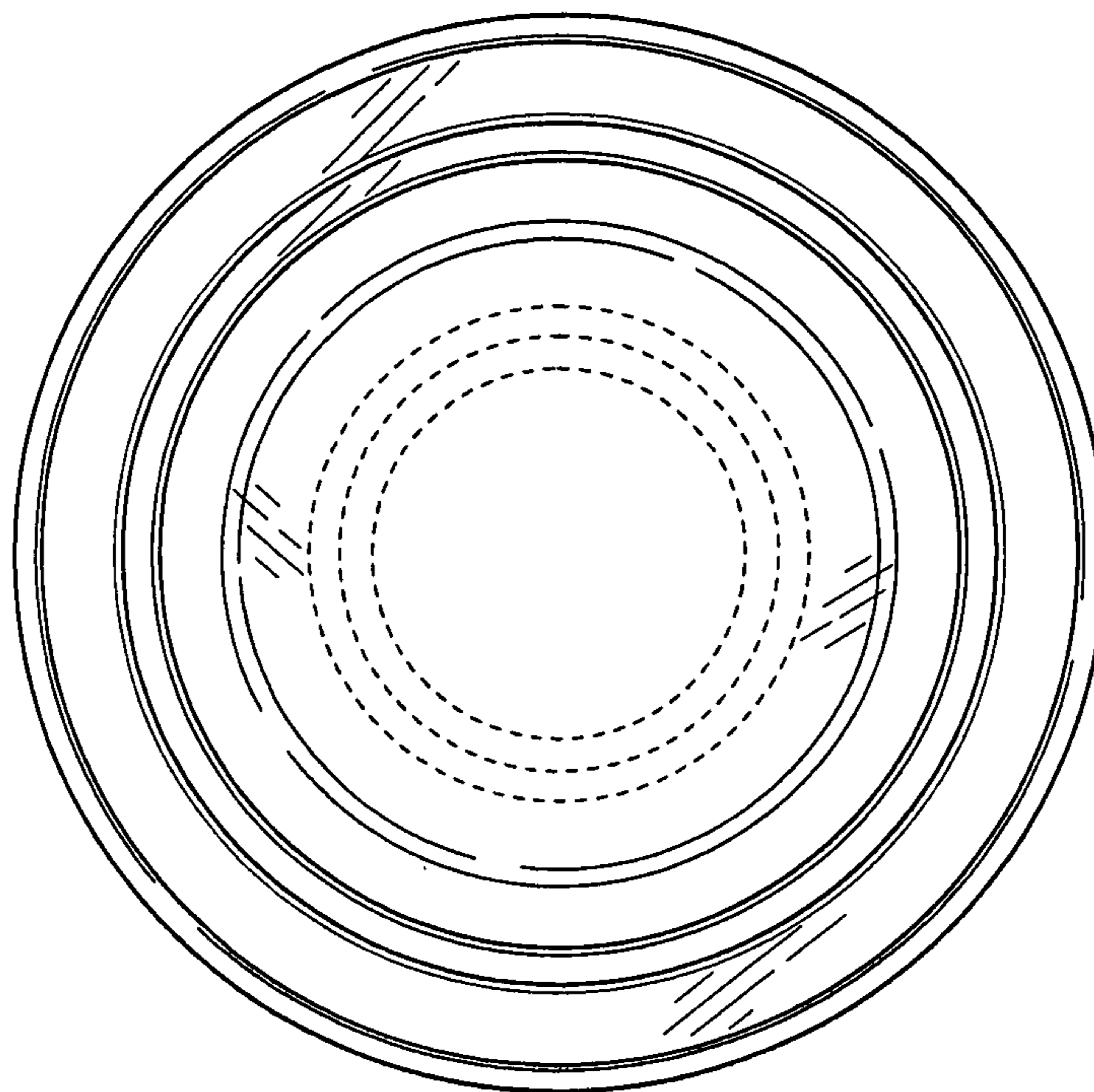


FIG. 6

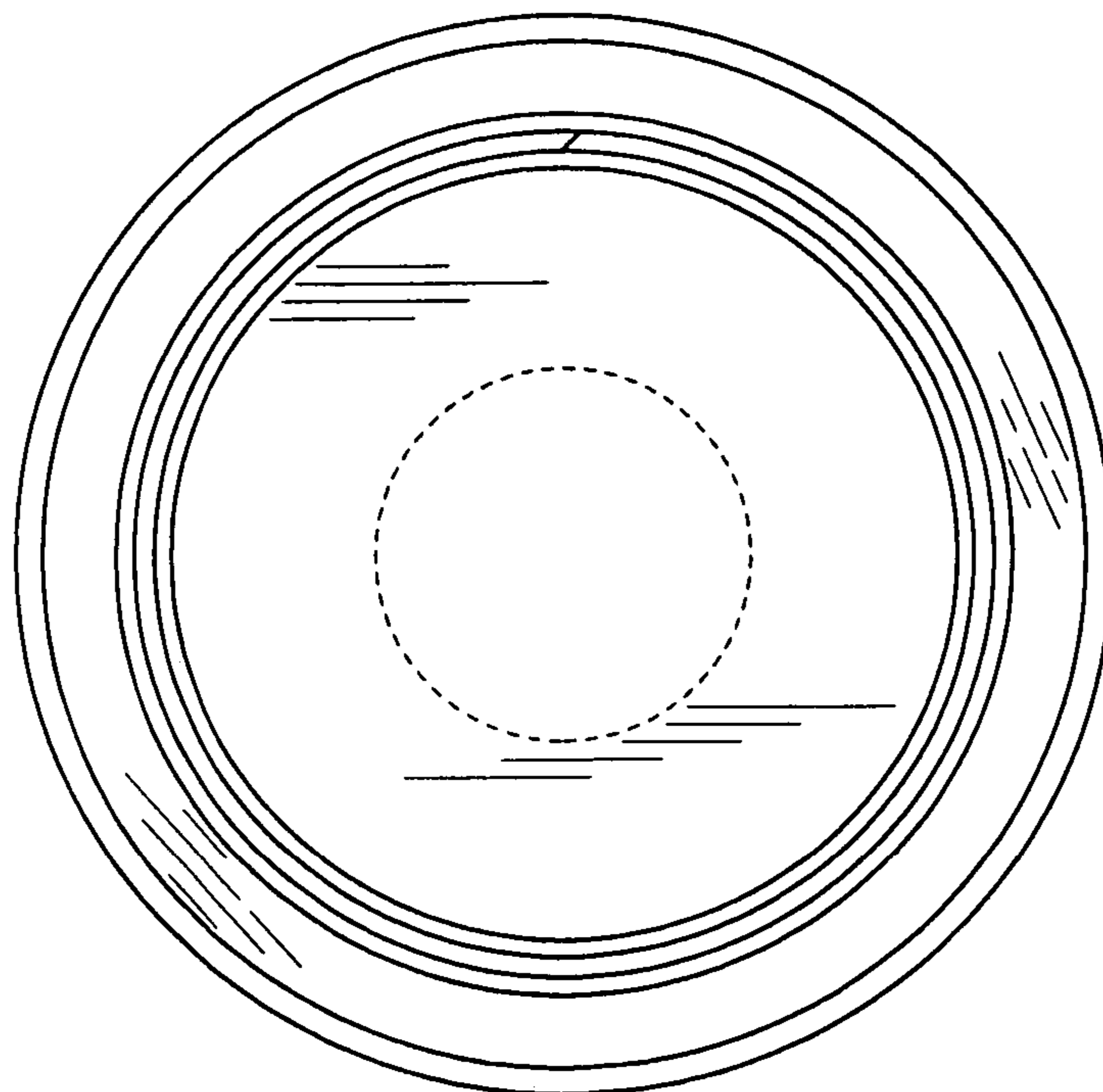


FIG. 7