



US00D678712S

(12) **United States Design Patent**
Mehler

(10) **Patent No.:** **US D678,712 S**
(45) **Date of Patent:** **** Mar. 26, 2013**

- (54) **COOKING GRILL**
- (75) Inventor: **Brian Adam Mehler**, Long Beach, CA (US)
- (73) Assignee: **Tropitone Furniture Co., Inc.**, Irvine, CA (US)
- (**) Term: **14 Years**
- (21) Appl. No.: **29/424,790**
- (22) Filed: **Jun. 15, 2012**
- (51) **LOC (9) Cl.** **07-02**
- (52) **U.S. Cl.** **D7/359; D7/354**
- (58) **Field of Classification Search** D7/323, D7/329-332, 337-339, 346-347, 350.1-350.4, D7/353-367, 388-395, 402-409, 538, 542-543, D7/665; 99/324-325, 330-332, 337-343, 99/366-369, 400-418, 422, 425, 444-446, 99/483; 126/25 R, 37 R, 41 R, 261, 378.1, 126/390.1; 206/501-505, 507-508; 219/368-387, 219/400, 405, 429-442, 452.11, 620-624, 219/725, 730-735; 220/314-315, 486, 573.1-573.5, 220/592.16, 912; 426/438, 441
See application file for complete search history.

- 5,165,328 A * 11/1992 Erickson et al. 99/330
 - 5,195,424 A * 3/1993 Guajaca 99/418
 - D336,009 S * 6/1993 Tringali et al. D7/367
 - D339,266 S * 9/1993 Lockett D7/409
 - 5,323,693 A 6/1994 Collard et al.
 - 5,359,988 A 11/1994 Hait
- (Continued)

FOREIGN PATENT DOCUMENTS

KR 2002-0030653 4/2002

OTHER PUBLICATIONS

http://www.alibaba.com/product-tp/108119053/MODEL_TBP_1_BBQ_GRILL_PLATE.html, in 1 page, available on or before May 20, 2012.

(Continued)

Primary Examiner — Ricky Pham
(74) *Attorney, Agent, or Firm* — Knobbe, Martens, Olson & Bear, LLP

(57) **CLAIM**
The ornamental design for a cooking grill, as shown and described.

DESCRIPTION

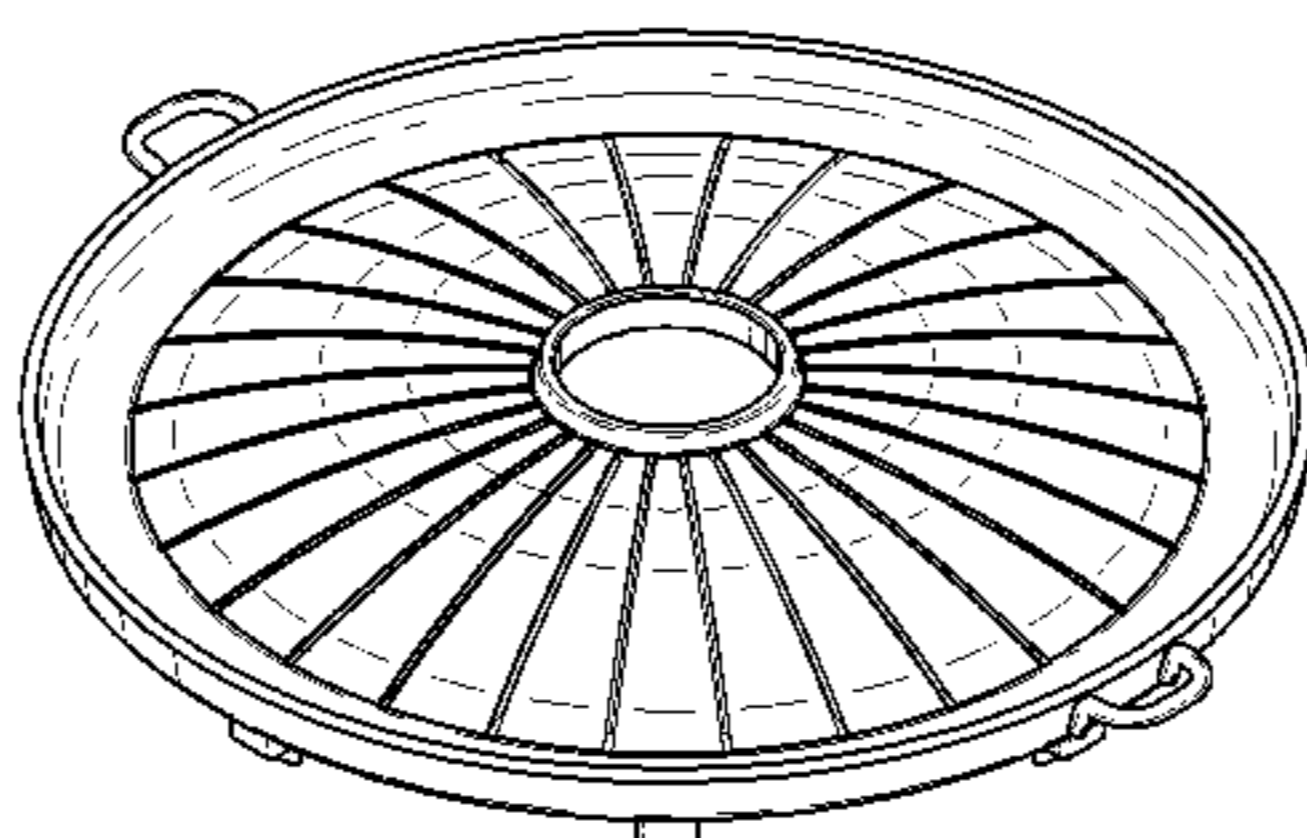
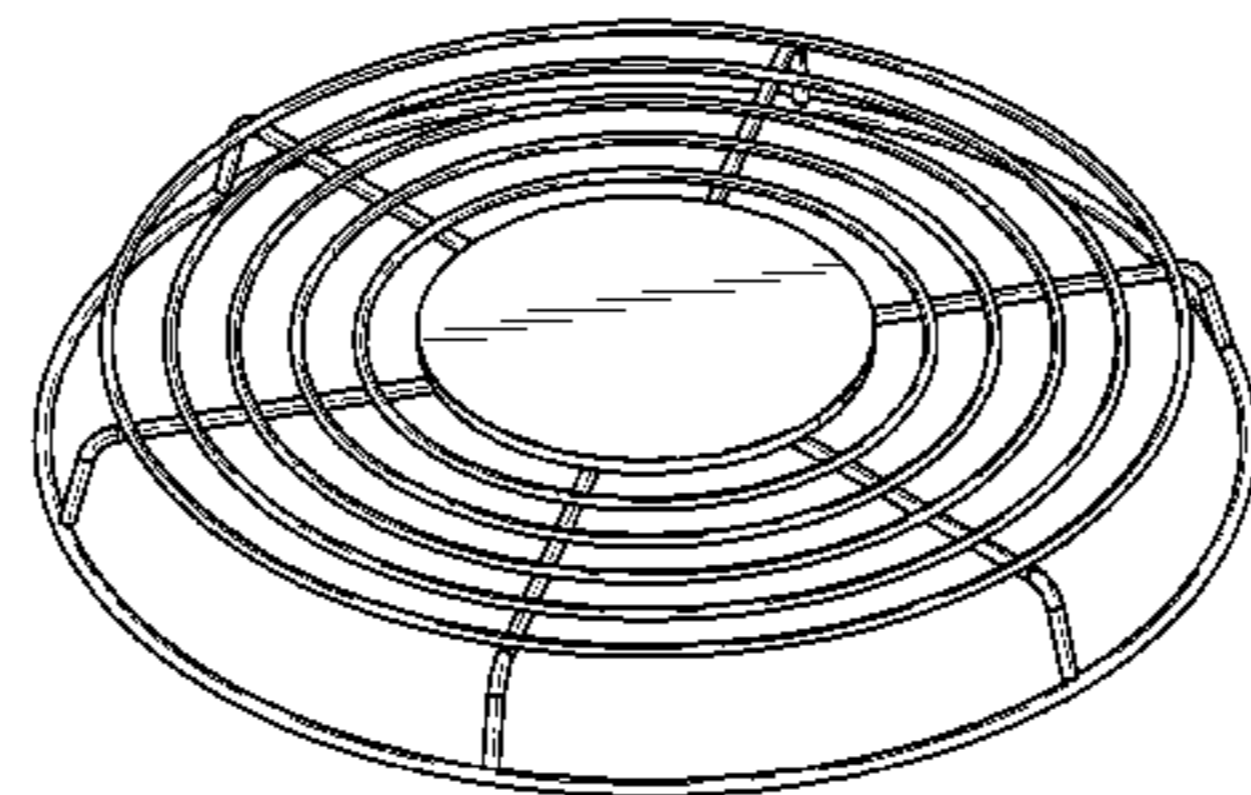
FIG. 1 is a top, front and side perspective view of an embodiment of a cooking grill embodying my new design.
 FIG. 2 is a top, front, and side perspective exploded view of the embodiment of the cooking grill embodying my new design.
 FIG. 3 is a top view thereof.
 FIG. 4 is a bottom view thereof.
 FIG. 5 is a side view thereof.
 FIG. 6 is a 90 degree rotated side view thereof.
 FIG. 7 is a top view of a grill rack thereof; shown separately for ease of illustration.
 FIG. 8 is a bottom view of the grill rack of FIG. 7.
 FIG. 9 is a side view of the grill rack of FIG. 7.
 FIG. 10 is a 90 degree rotated side view of the grill rack of FIG. 7.
 FIG. 11 is a top view of a tray thereof; shown separately for ease of illustration.
 FIG. 12 is a bottom view of the tray of FIG. 11.
 FIG. 13 is a side view of the tray of FIG. 11; and,
 FIG. 14 is a 90 degree rotated side view of the tray of FIG. 11.

1 Claim, 8 Drawing Sheets

(56) **References Cited**

U.S. PATENT DOCUMENTS

- 1,471,039 A 10/1923 Lee
- 3,019,721 A 2/1962 Haapala
- 3,079,855 A 3/1963 Valis
- 3,212,426 A * 10/1965 Lewus 99/339
- 3,301,172 A * 1/1967 Longo 99/446
- 3,323,508 A * 6/1967 Holman 126/25 R
- 3,333,526 A 8/1967 Kirkpatrick
- 3,347,404 A * 10/1967 McIntyre 220/486
- D229,277 S * 11/1973 Chan D7/337
- D229,656 S 12/1973 Garcia
- 3,847,068 A 11/1974 Beer et al.
- 3,850,087 A 11/1974 Landblom et al.
- D246,627 S 12/1977 Sugiyama
- D251,107 S * 2/1979 Ottier D7/409
- 4,436,023 A 3/1984 Takahashi
- D282,139 S 1/1986 Radford
- 4,976,252 A 12/1990 Cianciola



US D678,712 S

Page 2

U.S. PATENT DOCUMENTS

D359,652 S * 6/1995 Mendelson et al. D7/362
5,513,558 A * 5/1996 Erickson et al. 99/330
D371,719 S * 7/1996 Perry D7/388
D382,765 S * 8/1997 Kellermann D7/332
D383,355 S 9/1997 Uter
5,682,811 A 11/1997 Kidushim
D387,240 S * 12/1997 Simmonds et al. D7/339
5,699,722 A * 12/1997 Erickson et al. 99/330
5,720,272 A * 2/1998 Chiang 126/25 R
5,911,812 A 6/1999 Stanek et al.
5,970,858 A * 10/1999 Boehm et al. 99/446
6,023,051 A 2/2000 Fellows
6,041,696 A * 3/2000 Su 99/483
6,082,249 A * 7/2000 Su 99/340
6,105,487 A 8/2000 Nash et al.
D431,411 S * 10/2000 Chang D7/362
6,201,217 B1 * 3/2001 Moon et al. 219/386
D440,112 S * 4/2001 Su D7/367
D442,020 S * 5/2001 Pierick D7/359
6,363,842 B1 4/2002 Lin
6,386,192 B1 5/2002 Weber
6,598,598 B1 * 7/2003 Bratsikas 126/25 R
6,841,759 B2 1/2005 Elwedini
6,936,795 B1 * 8/2005 Moon et al. 219/400
2004/0200359 A1 10/2004 Snider
2008/0044537 A1 2/2008 Manuel

OTHER PUBLICATIONS

http://www.alibaba.com/product-tp/108044193/MODEL_TP_2_BBQ_GRILL_PLATE.html, in 3 pages, available on or before May 20, 2012.

http://www.amazon.com/Castiron-Marble-Coating-Stove-Outdoor/dp/B000216TAW/ref=sr_1_4?ie=UTF8&qid=1337562464&sr=8-4, in 3 pages, available on or before May 20, 2012.

http://www.amazon.com/Mongolian-BBQ-Grill-Cast-Iron/dp/B002A3AZQO/ref=sr_1_1?ie=UTF8&qid=1337562464&sr=8-1, in 4 pages, available on or before May 20, 2012.

<http://jasonandkara.com/2007/03/10/bulgogi-korean-barbeque/>, in 1 page, available on or before May 20, 2012.

http://queenart.en.ec21.com/Bulgogi_Grill_Pan_with_Marble-2103258_2103271.html, in 1 page, available on or before May 20, 2012.

http://kimchimari.com/2012/02/25/pork-bbq-dweji-bulgogi/dsc_5793-640x425/, in 5 pages, available on or before May 20, 2012.

http://www.alibaba.com/product-free/111467453/Grill_Pan_Roast_Pan_Grill_Plate.html, in 2 pages, available on or before May 20, 2012.

<http://www.undercovergourmet.ca/2010/10/edmontons-best-korean-bbq/>, in 3 pages, available on or before May 20, 2012.

<http://www.deal.com.sg/deals/singapore/BigBang-Bulgogi-Korean-BBQ-n-Steamboat-2-in-1-Buffer-3-Price-Options-Available>, in 5 pages, available on or before May 20, 2012.

http://www.alibaba.com/product-free/112426845/Cast_Iron_Korean_Bowl_Set.html, in 2 pages, available on or before May 20, 2012.

http://www.alibaba.com/product-gs/296152366/BBQ_Grill_Plate.html, in 2 pages, available on or before May 20, 2012.

<http://www.eurocosm.com/Application/Products/cooking-products/architect-firepit-GB.asp>, in 3 pages, available on or before May 20, 2012.

http://www.alibaba.com/product-gs/300043200/BBQ_Grill_Plate.html, in 2 pages, available on or before May 20, 2012.

Masagrill Masa Series BBQ Grill Fire Pit Insert, <http://www.wayfair.com/Masagrill-Masa-Series-BBQ-Grill-Fire-Pit-Insert-STA227-MSG1005.html>, in 3 pages, available on or before May 20, 2012.

* cited by examiner

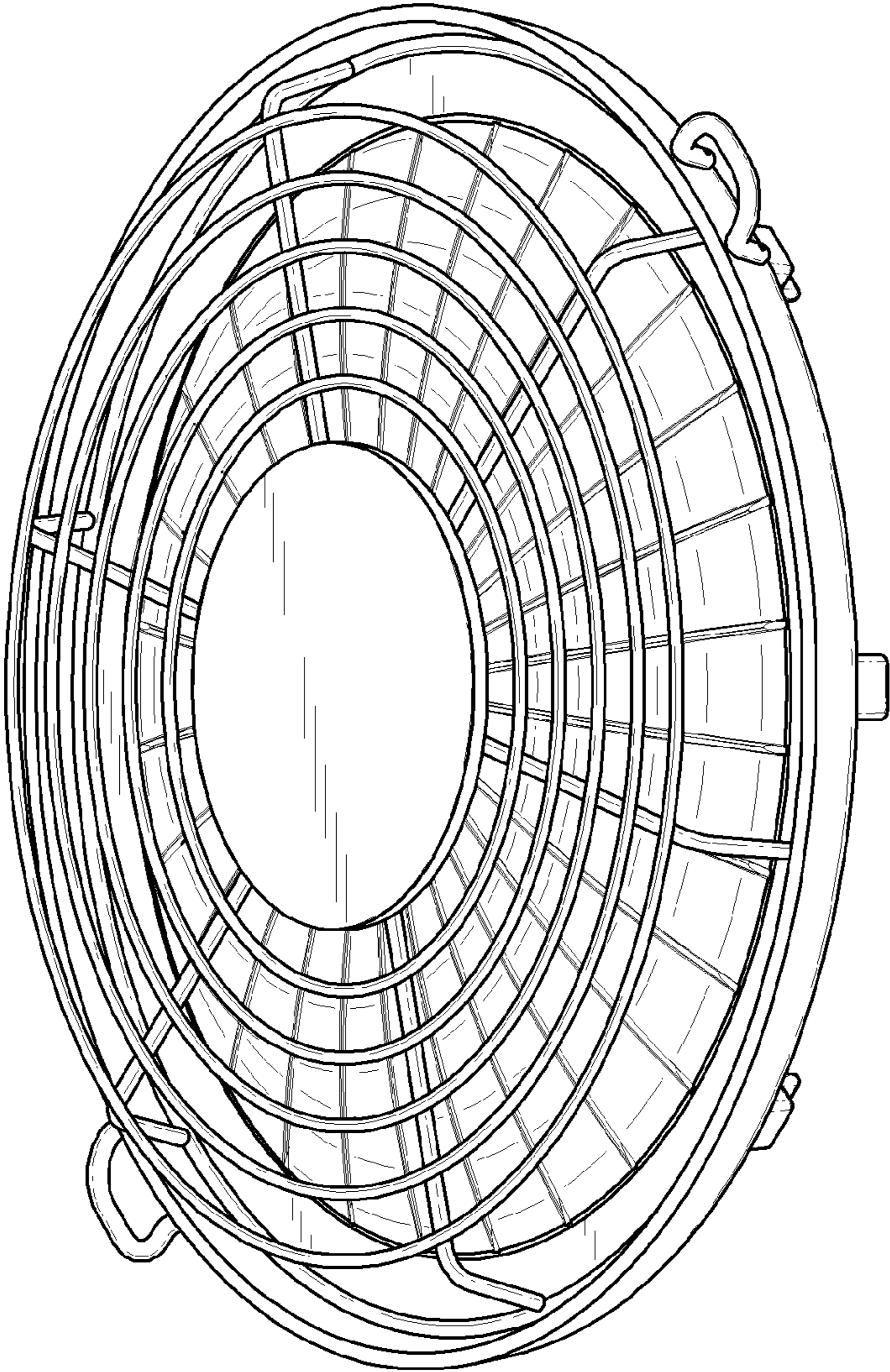


FIG. 1

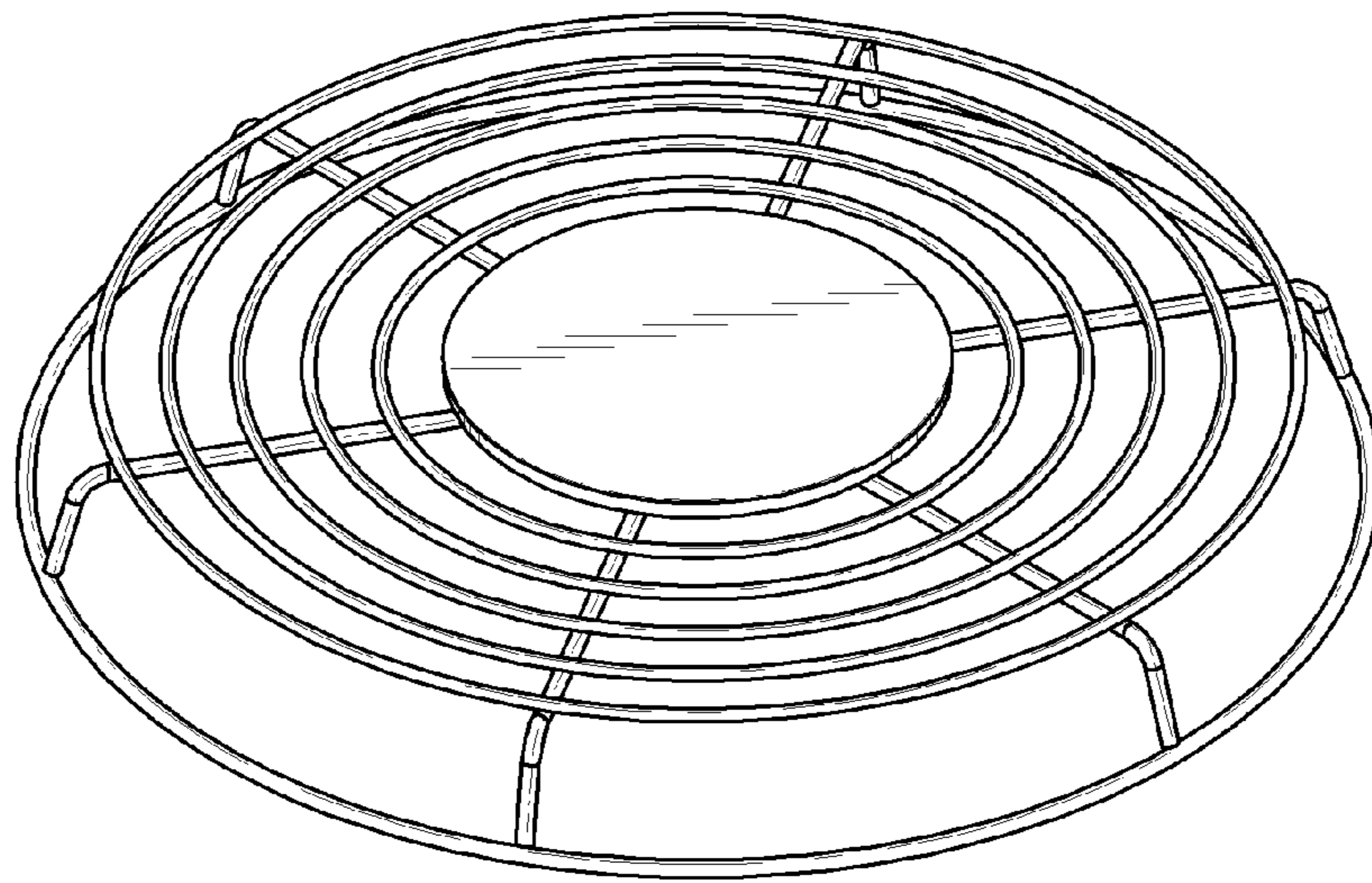
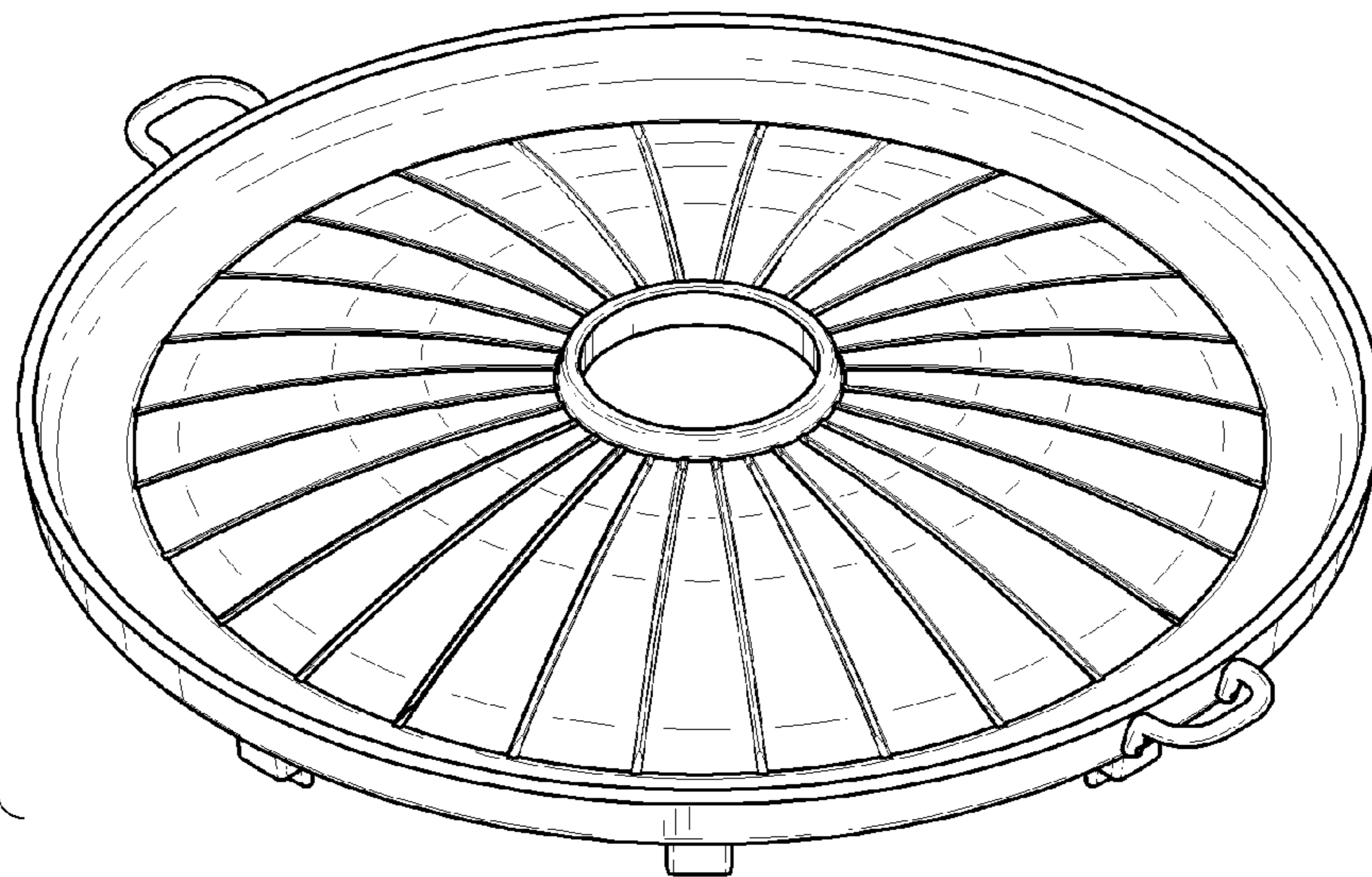


FIG. 2



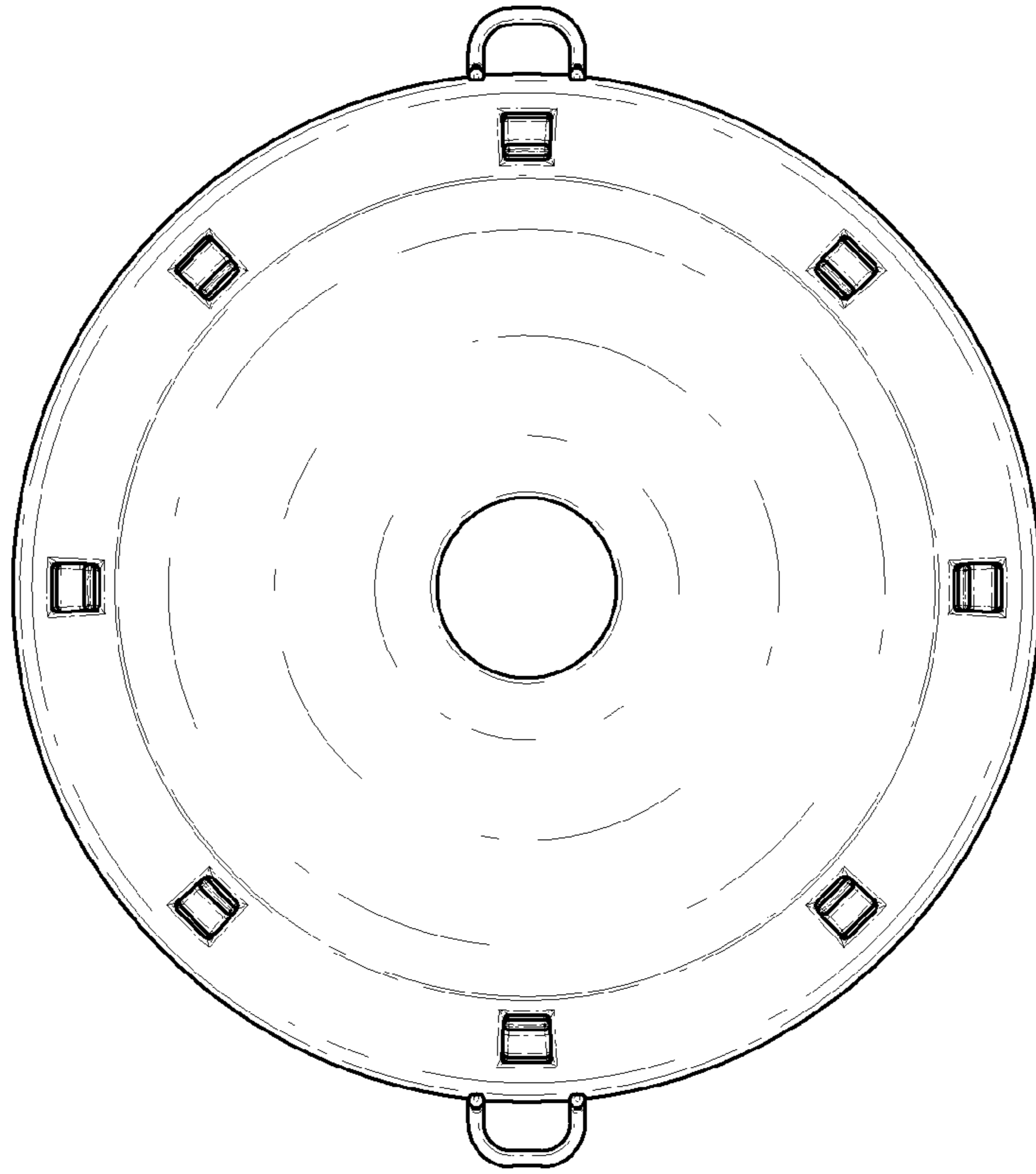


FIG. 4

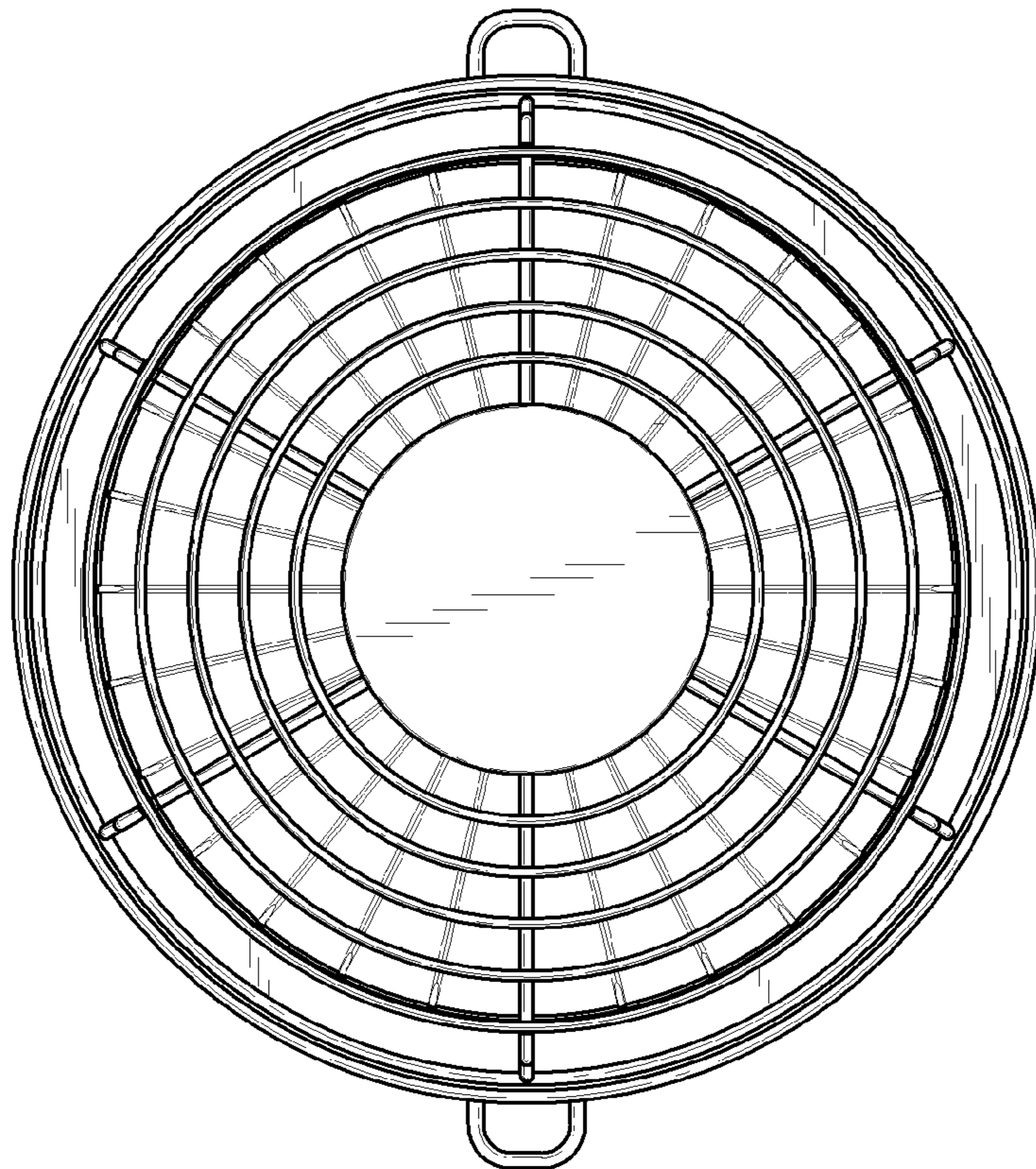


FIG. 3

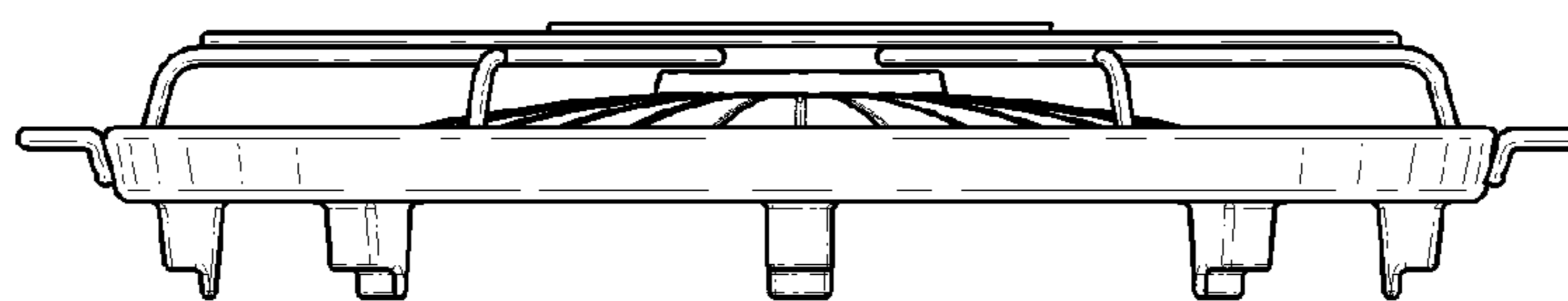


FIG. 5

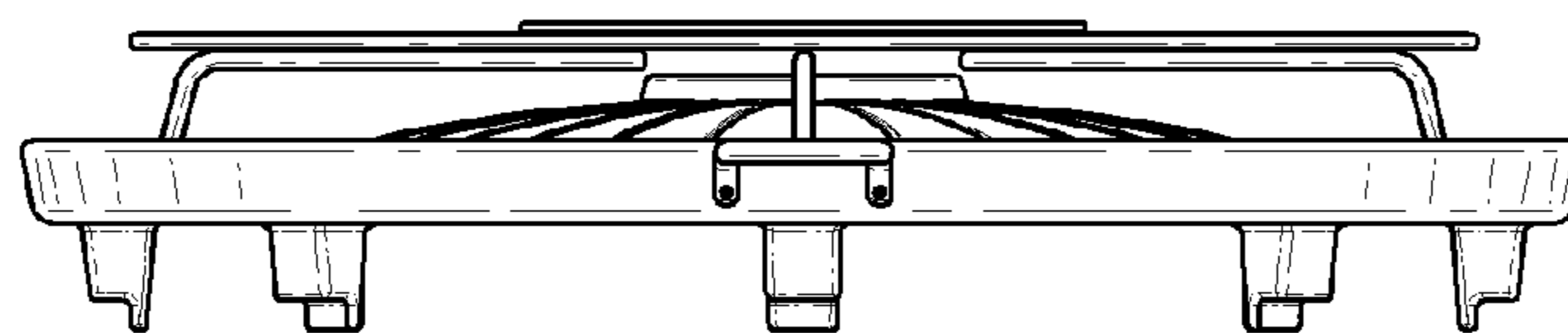


FIG. 6

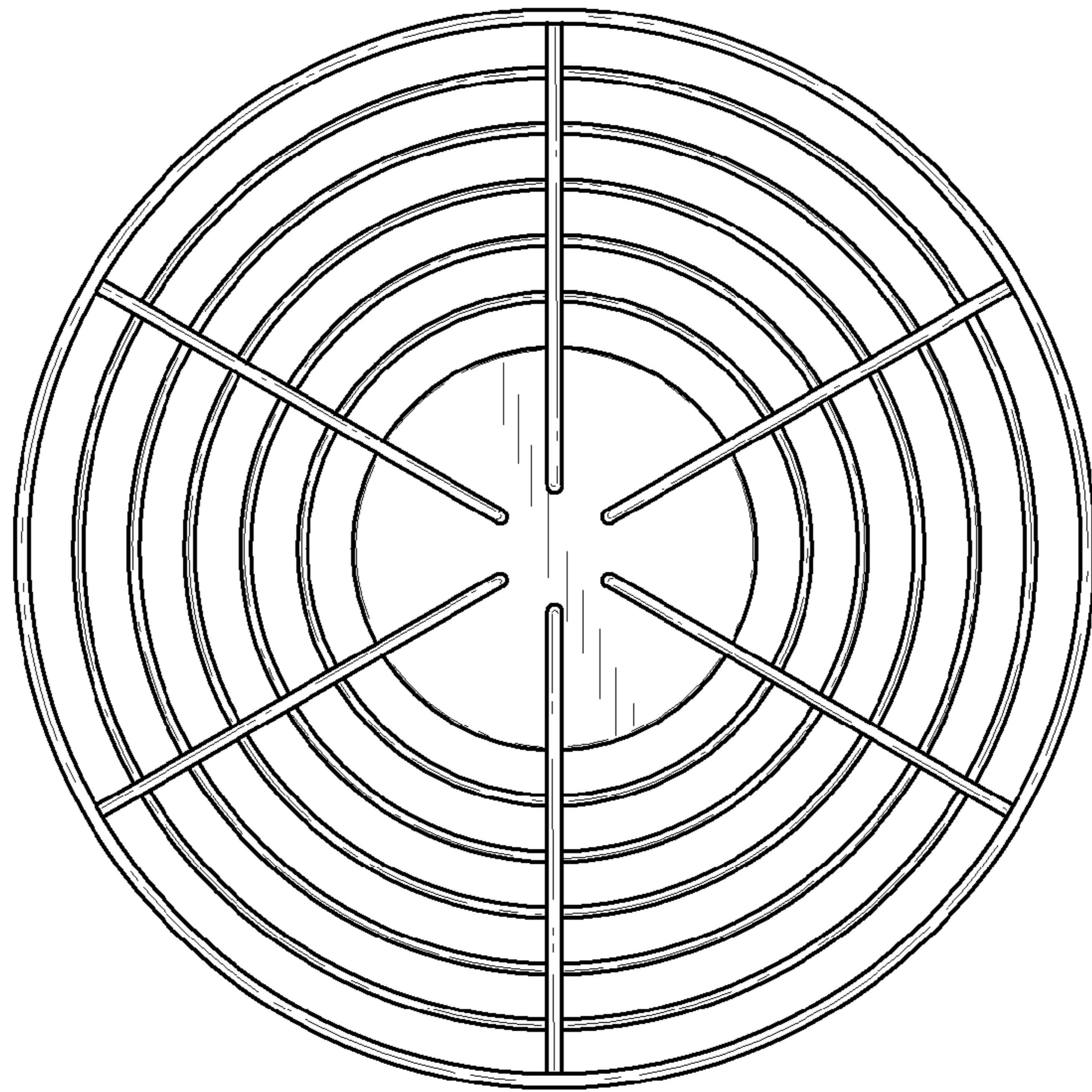


FIG. 8

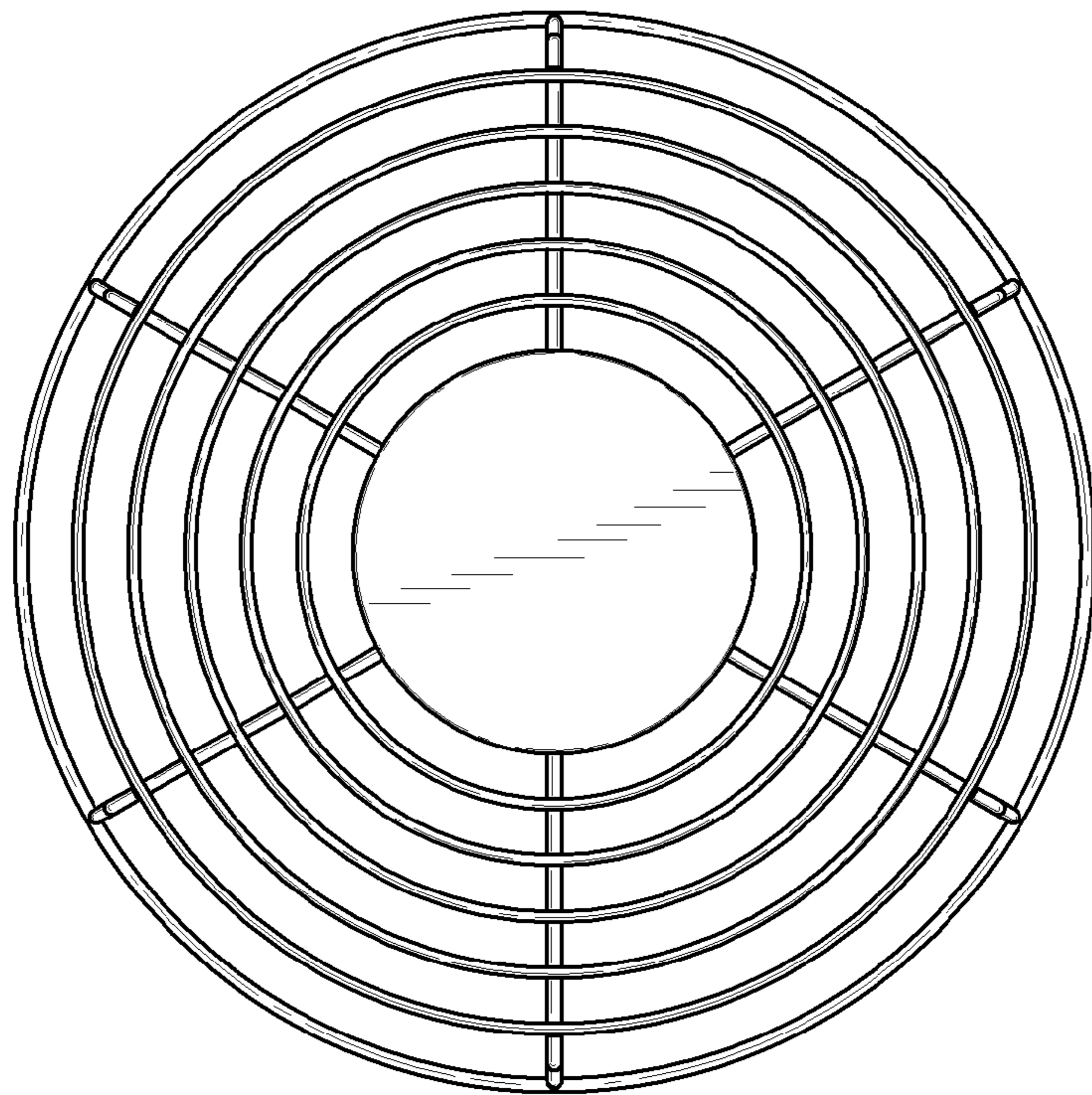


FIG. 7

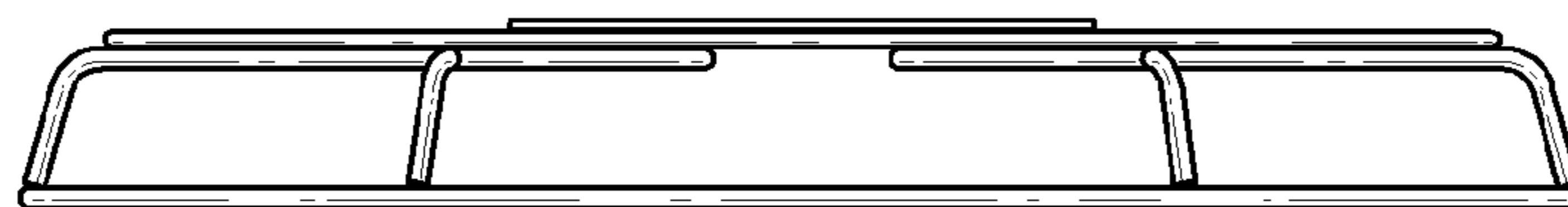


FIG. 9

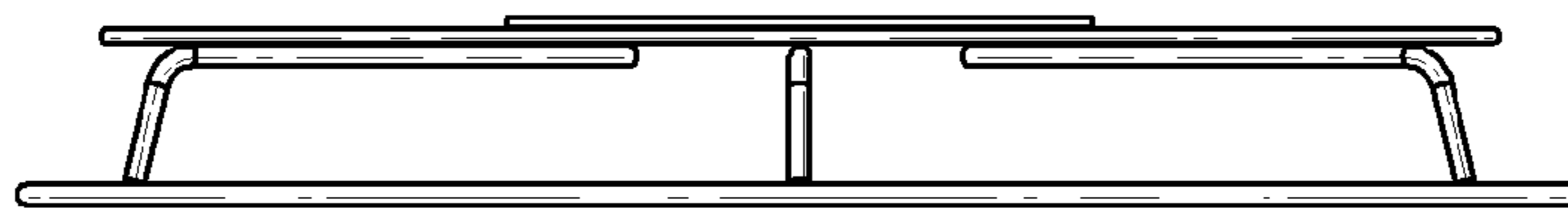


FIG. 10

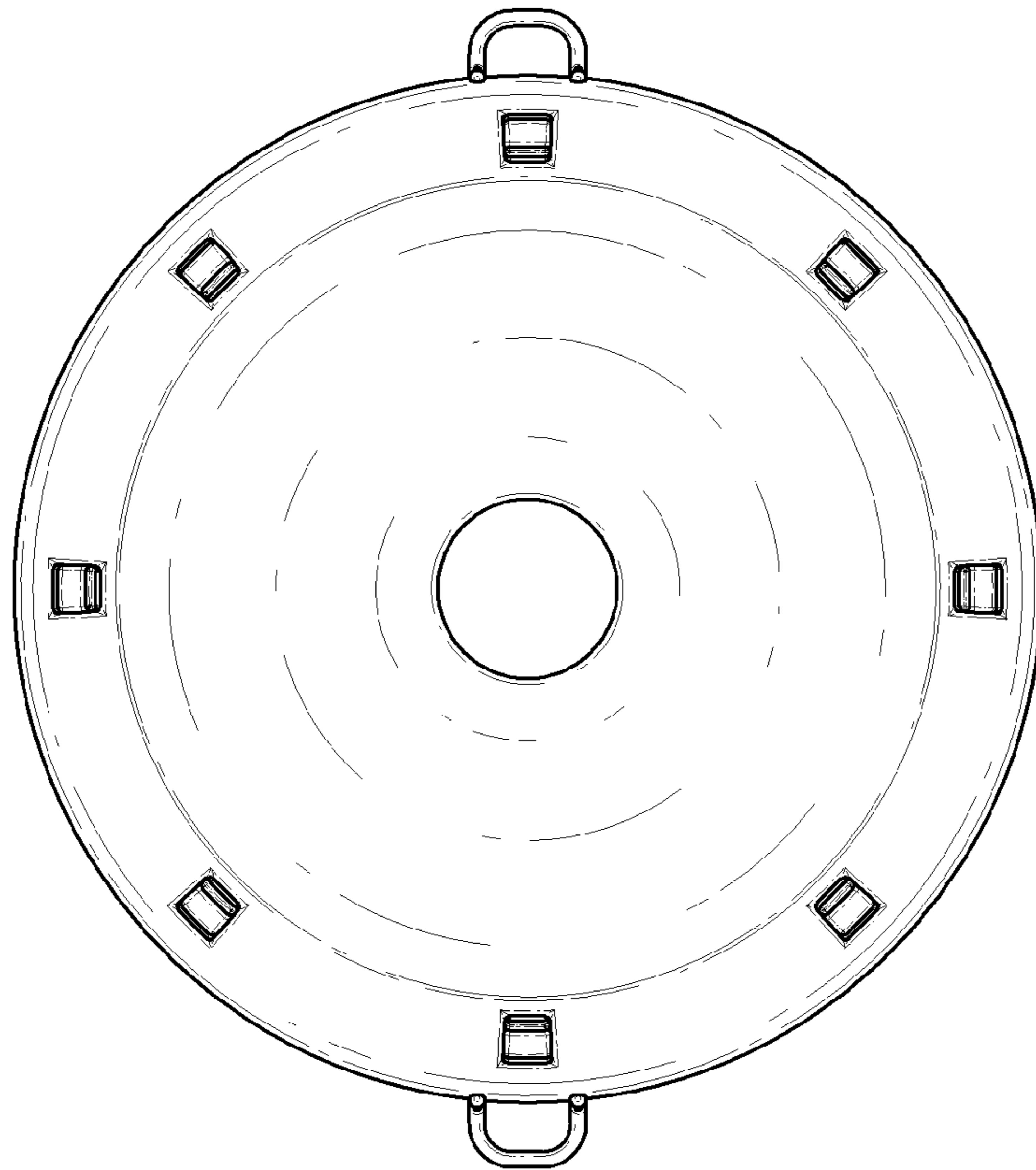


FIG. 12

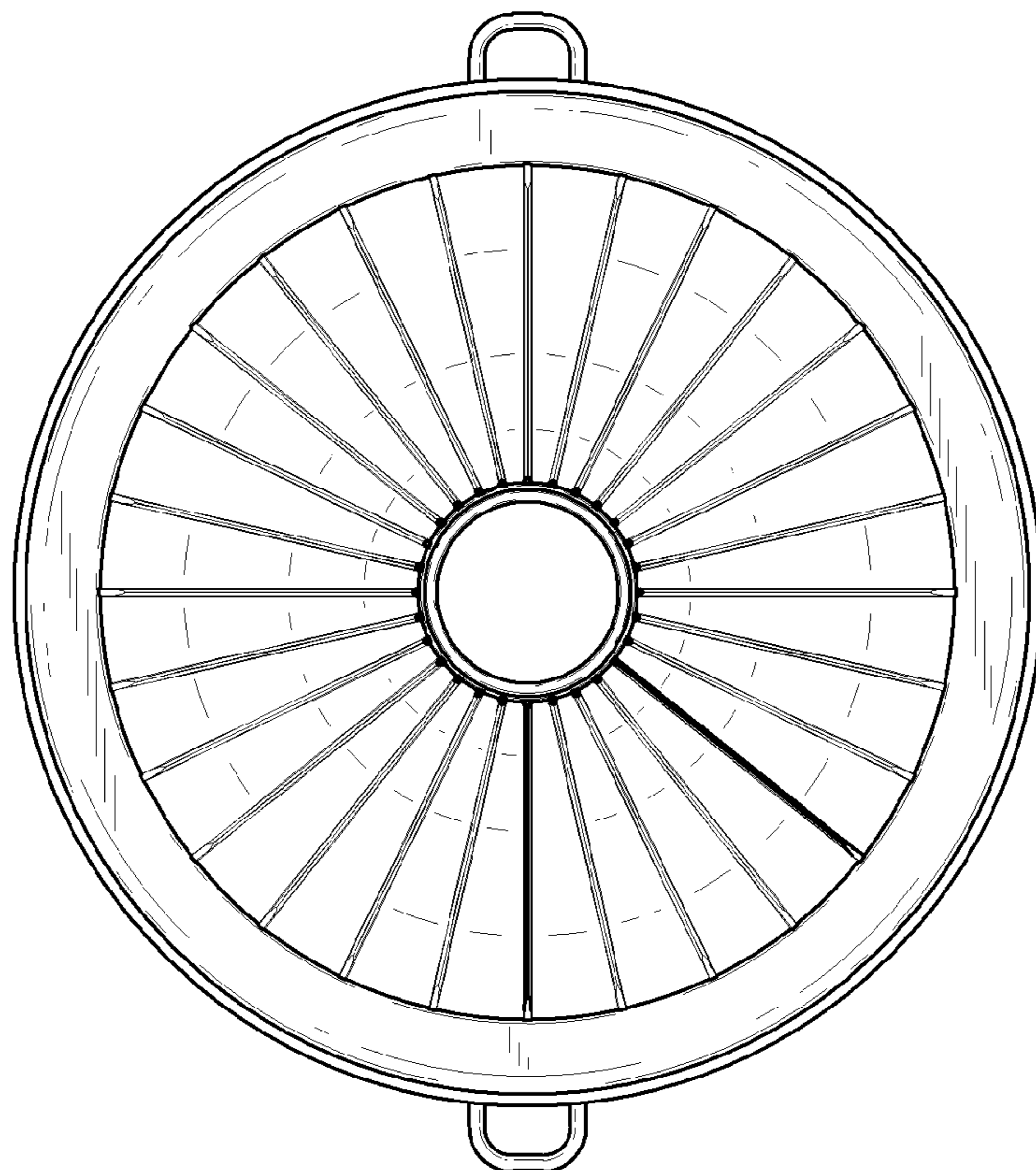


FIG. 11

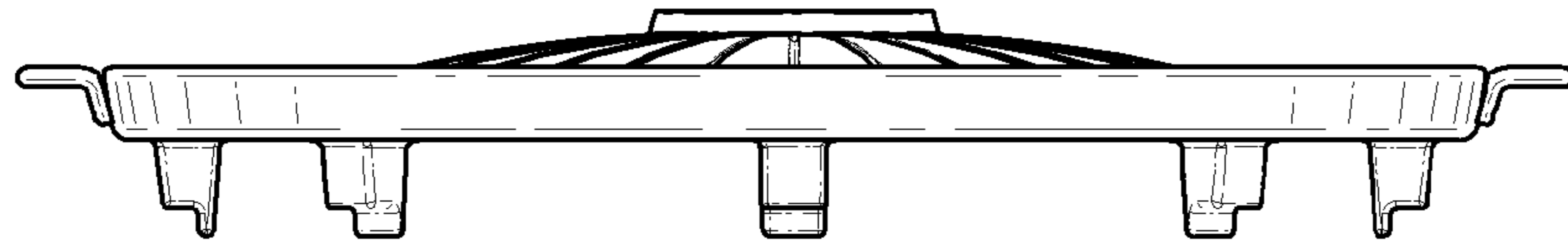


FIG. 13

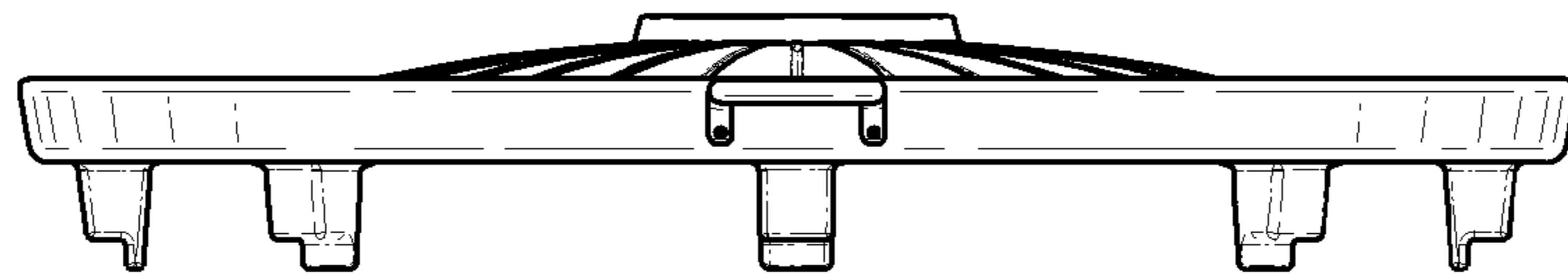


FIG. 14