



US00D678711S

(12) **United States Design Patent**
Reiner

(10) **Patent No.:** **US D678,711 S**
(45) **Date of Patent:** **** Mar. 26, 2013**

(54) **ELECTRIC OVEN**

(75) Inventor: **Guillaume Reiner**, Grenoble (FR)

(73) Assignee: **SEB**, Selongey (FR)

(**) Term: **14 Years**

(21) Appl. No.: **29/402,927**

(22) Filed: **Sep. 29, 2011**

(30) **Foreign Application Priority Data**

Mar. 30, 2011 (FR) 11 1705

(51) **LOC (9) Cl.** **07-02**

(52) **U.S. Cl.** **D7/350.1**

(58) **Field of Classification Search** D7/350.1–350.4,
D7/351, 402, 405, 406; 219/756–758, 391;
126/19 M, 21 A, 275 E; 99/352

See application file for complete search history.

(56) **References Cited**

U.S. PATENT DOCUMENTS

| | | | | | | |
|----------|---|---|---------|--------------------|-------|----------|
| D380,643 | S | * | 7/1997 | Piret | | D7/350.4 |
| D386,938 | S | * | 12/1997 | Piret | | D7/350.4 |
| D412,637 | S | * | 8/1999 | Piret | | D7/350.4 |
| D420,245 | S | * | 2/2000 | De'Longhi | | D7/350.4 |
| D461,091 | S | * | 8/2002 | Chen | | D7/350.4 |
| D476,846 | S | * | 7/2003 | Piret | | D7/351 |
| D479,943 | S | * | 9/2003 | Smith-Berry et al. | | D7/350.4 |
| D481,582 | S | * | 11/2003 | Seum et al. | | D7/350.1 |
| D521,799 | S | * | 5/2006 | Ledingham et al. | | D7/350.1 |
| D568,675 | S | * | 5/2008 | Kawata | | D7/350.1 |

| | | | | | | |
|--------------|----|---|---------|------------------|-------|-----------|
| D575,979 | S | * | 9/2008 | Borin | | D7/350.1 |
| D587,959 | S | * | 3/2009 | Hensel | | D7/350.1 |
| D602,306 | S | * | 10/2009 | Lavy | | D7/350.1 |
| D614,905 | S | * | 5/2010 | Fiorotto | | D7/350.1 |
| D614,906 | S | * | 5/2010 | Fiorotto | | D7/350.1 |
| D625,557 | S | * | 10/2010 | Pino et al. | | D7/405 |
| D629,639 | S | * | 12/2010 | Fernandez et al. | | D7/350.1 |
| D635,815 | S | * | 4/2011 | De'Longhi | | D7/350.1 |
| D638,249 | S | * | 5/2011 | Ryan et al. | | D7/350.1 |
| D639,104 | S | * | 6/2011 | Duncan et al. | | D7/350.1 |
| D655,129 | S | * | 3/2012 | Gresko | | D7/350.1 |
| D663,156 | S | * | 7/2012 | Curtis et al. | | D7/350.1 |
| 2011/0023861 | A1 | * | 2/2011 | Hensel | | 126/273 R |

* cited by examiner

Primary Examiner — Ruth McInroy

(74) *Attorney, Agent, or Firm* — Loeb & Loeb LLP

(57) **CLAIM**

The ornamental design for an electric oven, as shown and described.

DESCRIPTION

FIG. 1 is a front elevational view of an electric oven showing my new design;

FIG. 2 is a rear elevational view thereof;

FIG. 3 is a left side elevational view thereof;

FIG. 4 is a right side elevational view thereof;

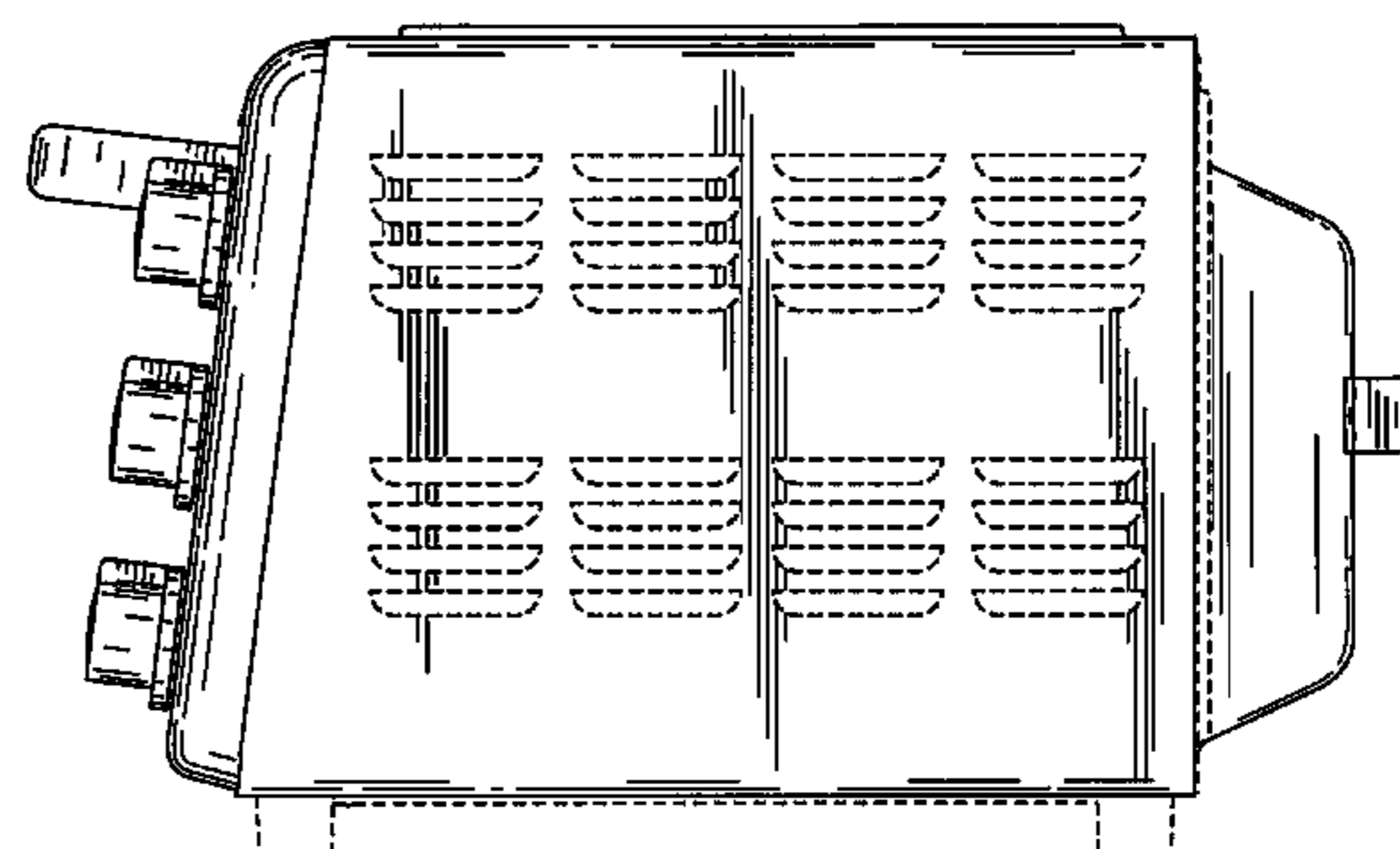
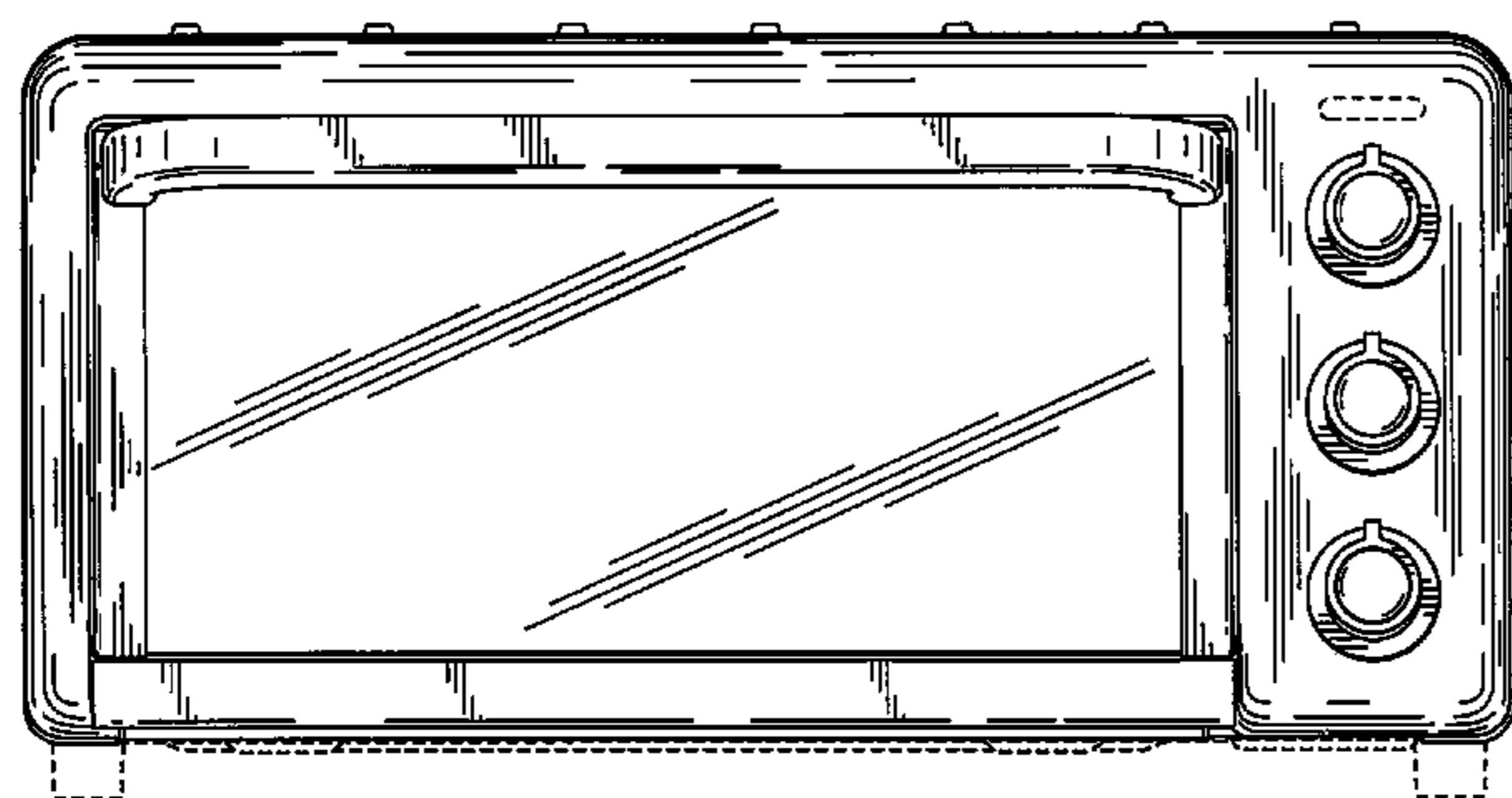
FIG. 5 is a top plan view thereof;

FIG. 6 is a bottom plan view thereof; and,

FIG. 7 is a perspective view thereof.

The details shown in broken lines represent environmental structure and form no part of the claimed design.

1 Claim, 7 Drawing Sheets



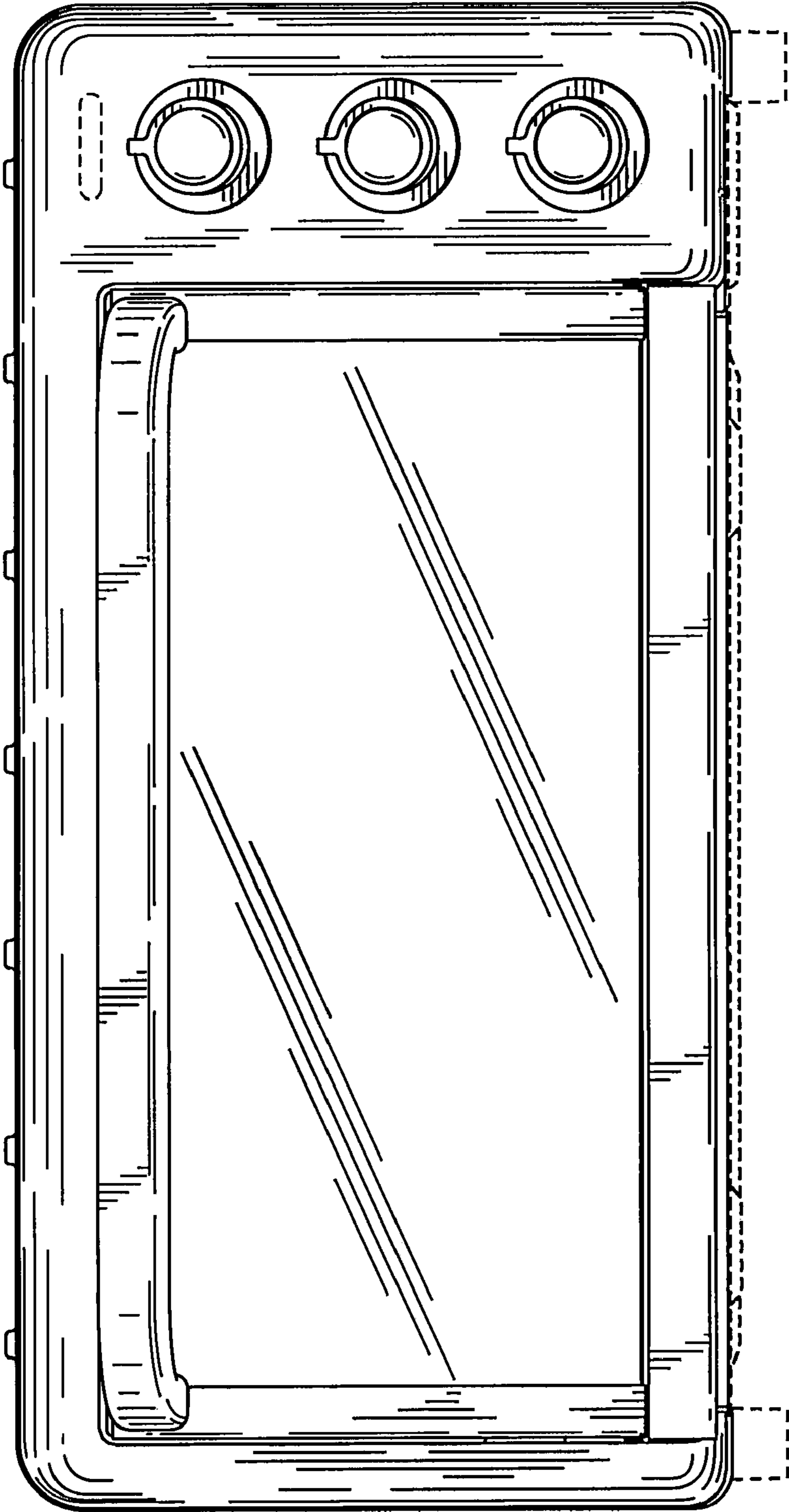


Fig. 1

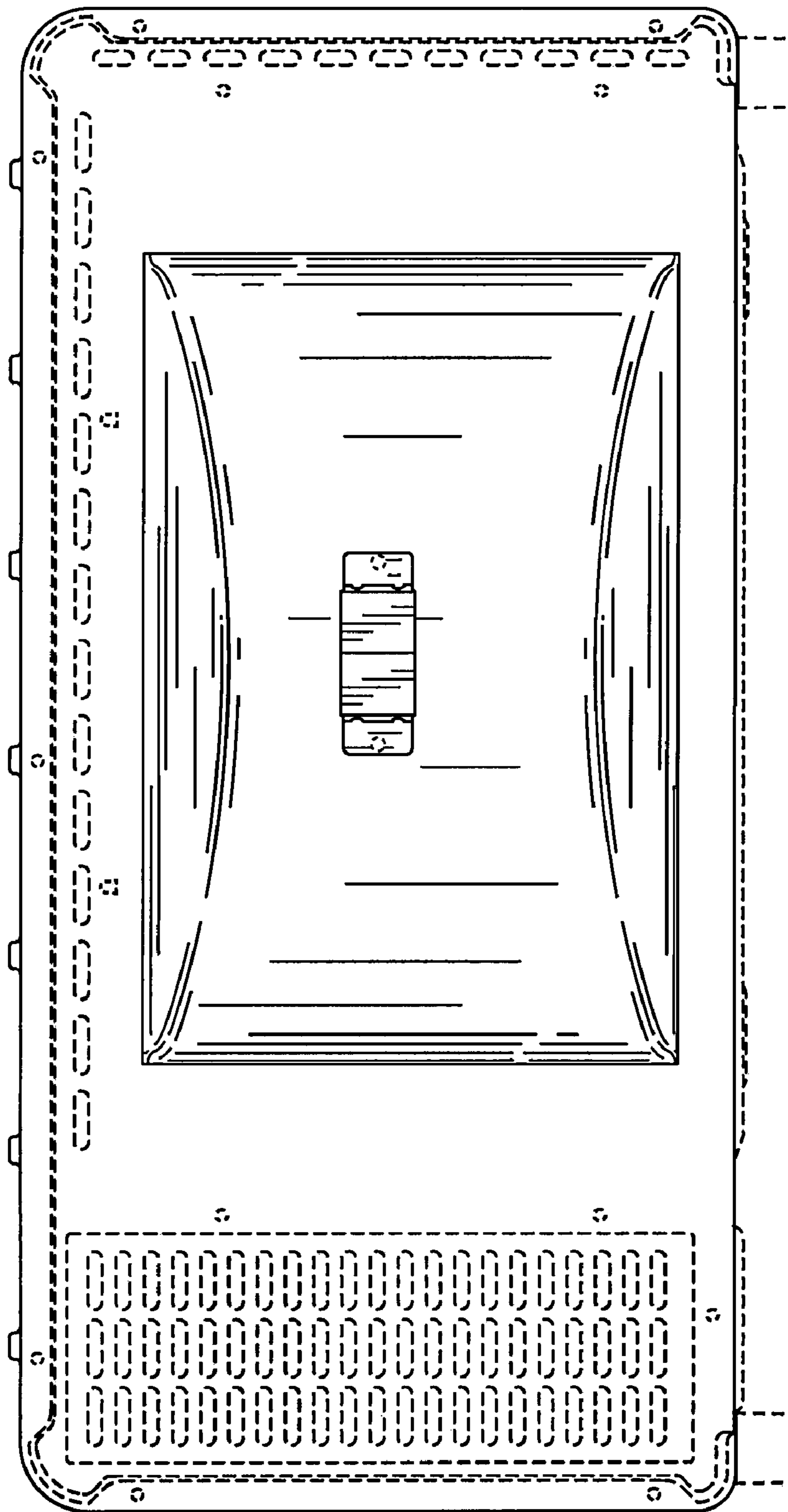


Fig. 2

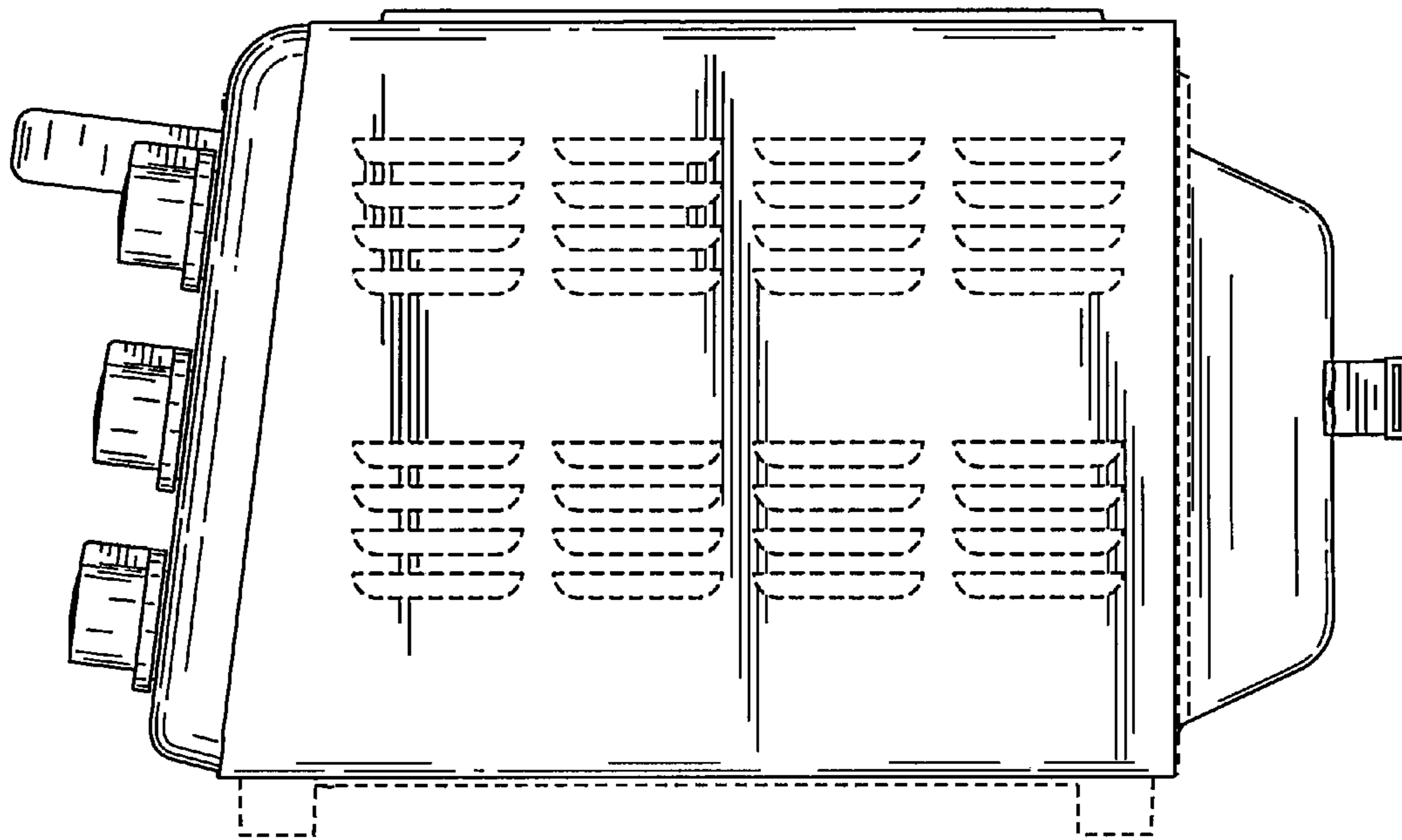


Fig. 3

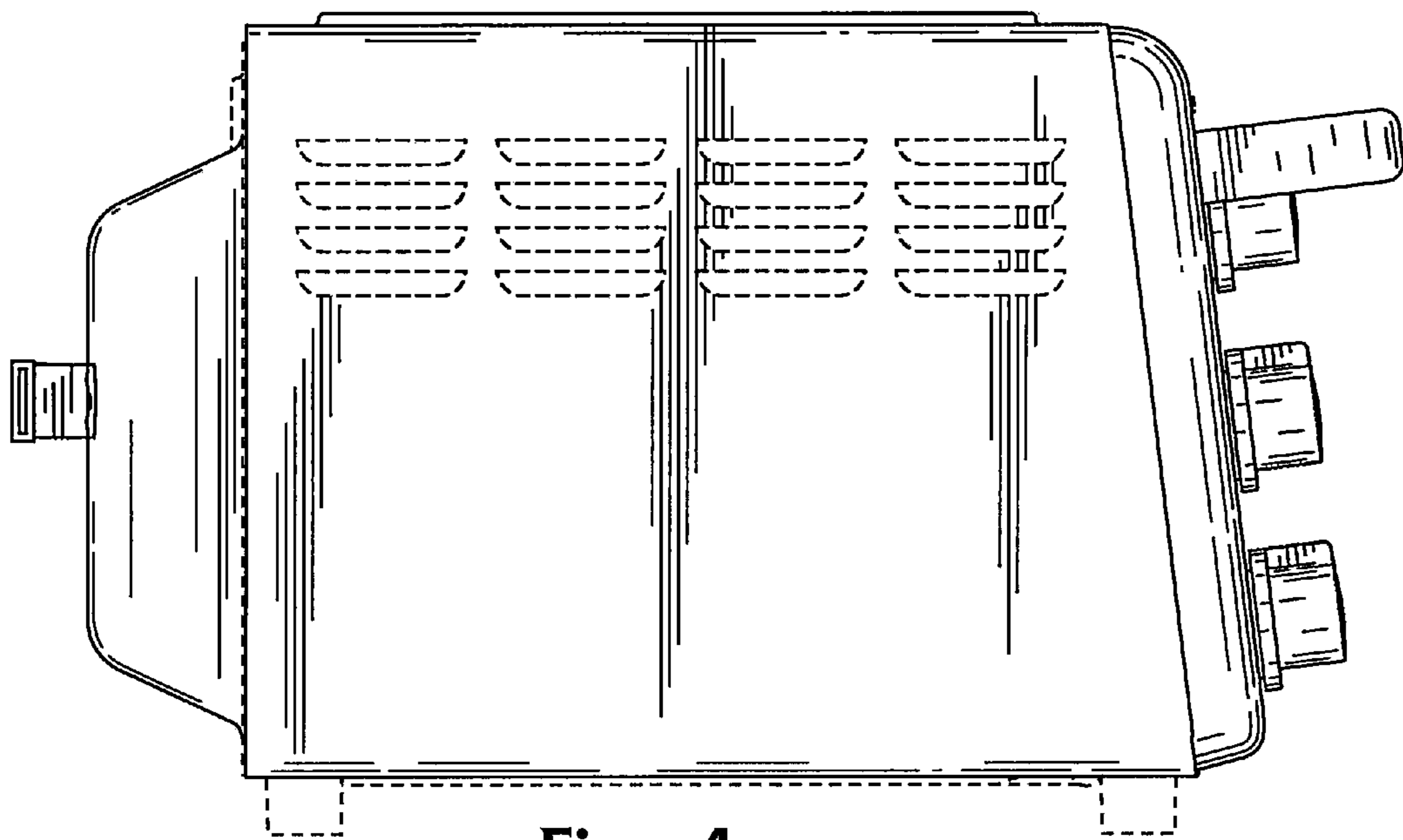


Fig. 4

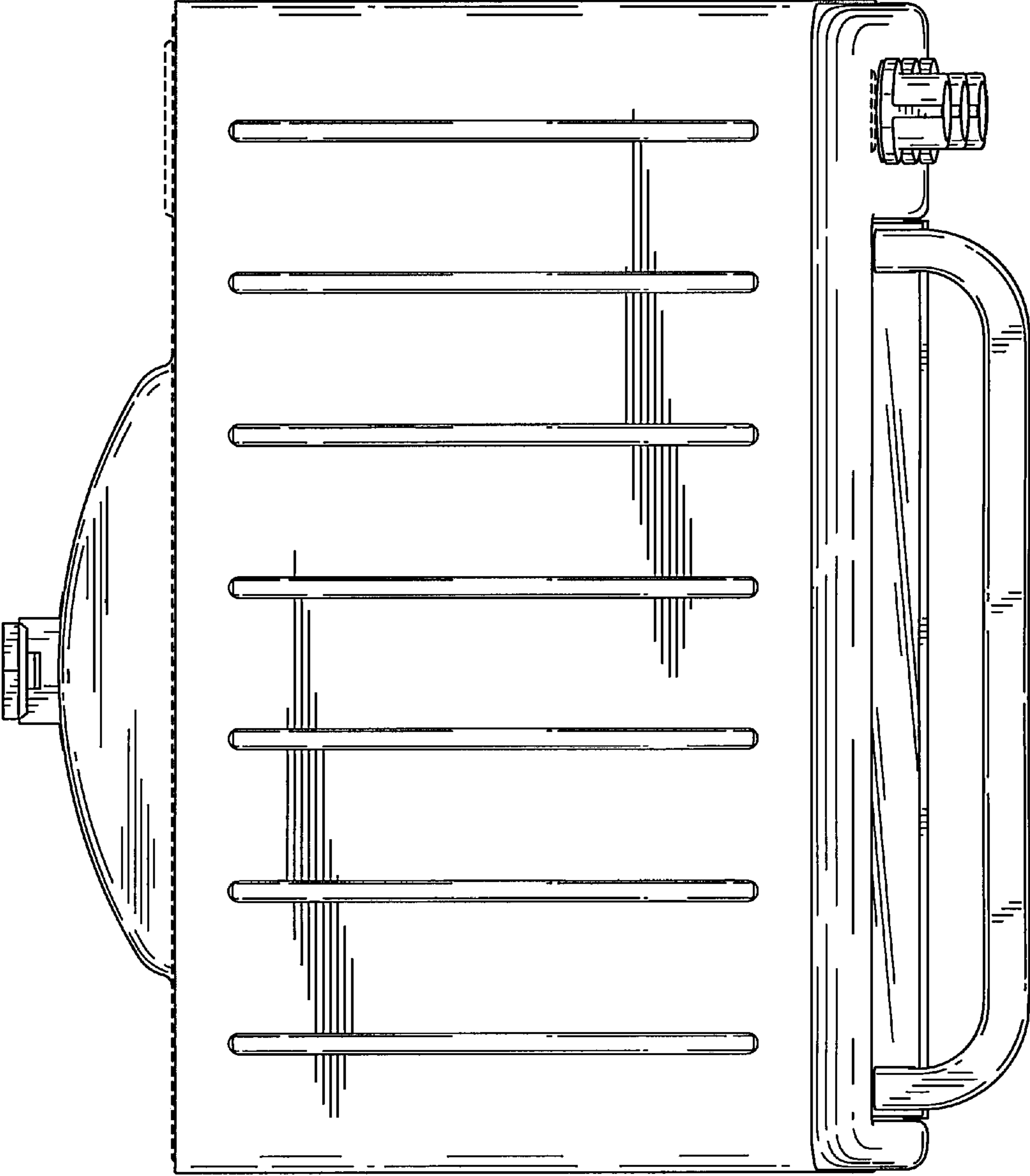


Fig. 5

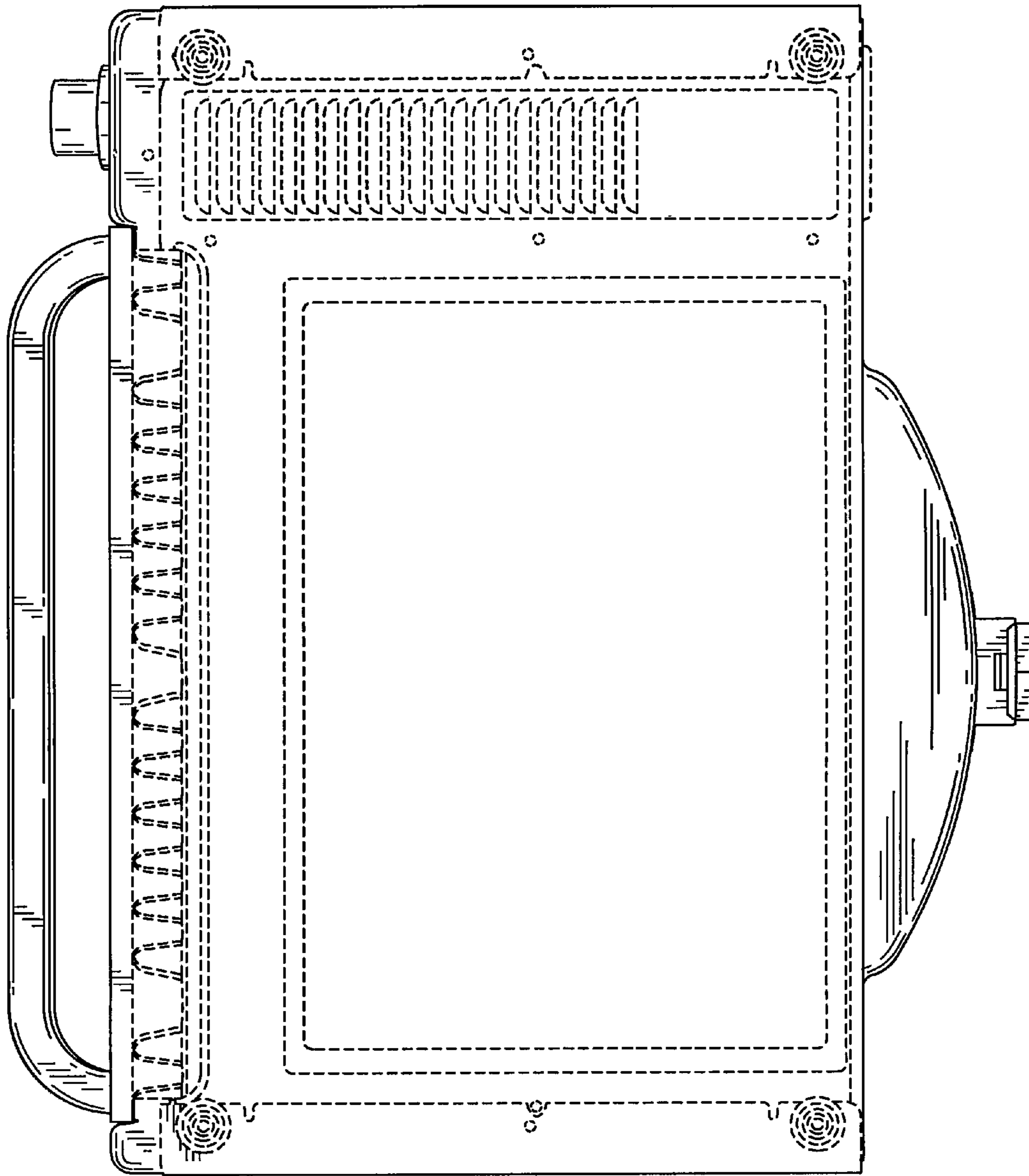


Fig. 6

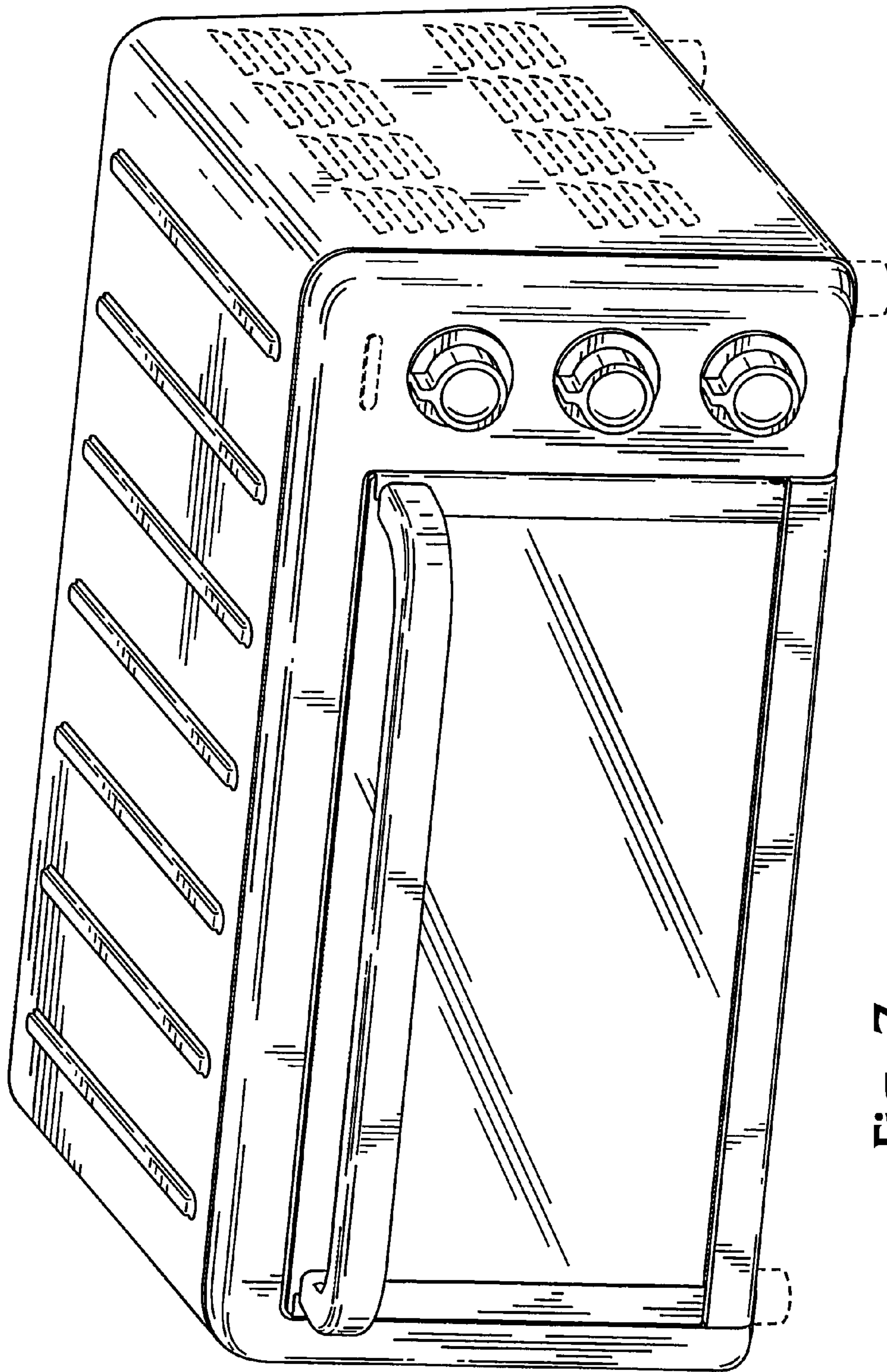


Fig. 7