



US00D678709S

(12) **United States Design Patent**  
**Sevcik**

(10) **Patent No.:** **US D678,709 S**  
(45) **Date of Patent:** **\*\* Mar. 26, 2013**

- (54) **SOFT DRINK DISPENSER**
  - (75) Inventor: **Scott E. Sevcik**, Crystal Lake, IL (US)
  - (73) Assignee: **IMI Cornelius, Inc.**, Glendale Heights, IL (US)
  - (\*\*) Term: **14 Years**
  - (21) Appl. No.: **29/396,246**
  - (22) Filed: **Jun. 28, 2011**
  - (51) **LOC (9) Cl.** ..... **07-01**
  - (52) **U.S. Cl.** ..... **D7/307; D7/308**
  - (58) **Field of Classification Search** ..... D7/301,  
D7/307-308, 309-311, 397, 399, 300; 222/1;  
251/242
- See application file for complete search history.

D390,059 S *	2/1998	Saito	.....	D7/308
D411,935 S *	7/1999	Roundtree	.....	D7/307
D484,354 S *	12/2003	McDougall et al.	.....	D7/307
D609,044 S *	2/2010	James	.....	D7/301

\* cited by examiner

*Primary Examiner* — Marianne Pandozzi  
(74) *Attorney, Agent, or Firm* — Niro, Haller & Niro

(57) **CLAIM**  
The ornamental design for a soft drink dispenser, as shown and described.

**DESCRIPTION**

FIG. 1 is a perspective view of a soft drink dispenser showing my new design;  
FIG. 2 is a front view thereof;  
FIG. 3 is a right side view thereof, the left side view being a mirror image thereof;  
FIG. 4 is top view thereof;  
FIG. 5 is a bottom view thereof; and,  
FIG. 6 is a back view thereof.

- (56) **References Cited**
- U.S. PATENT DOCUMENTS
- D185,738 S \* 7/1959 Cornelius ..... D7/308
- D333,405 S \* 2/1993 Moyer et al. .... D7/308

**1 Claim, 6 Drawing Sheets**

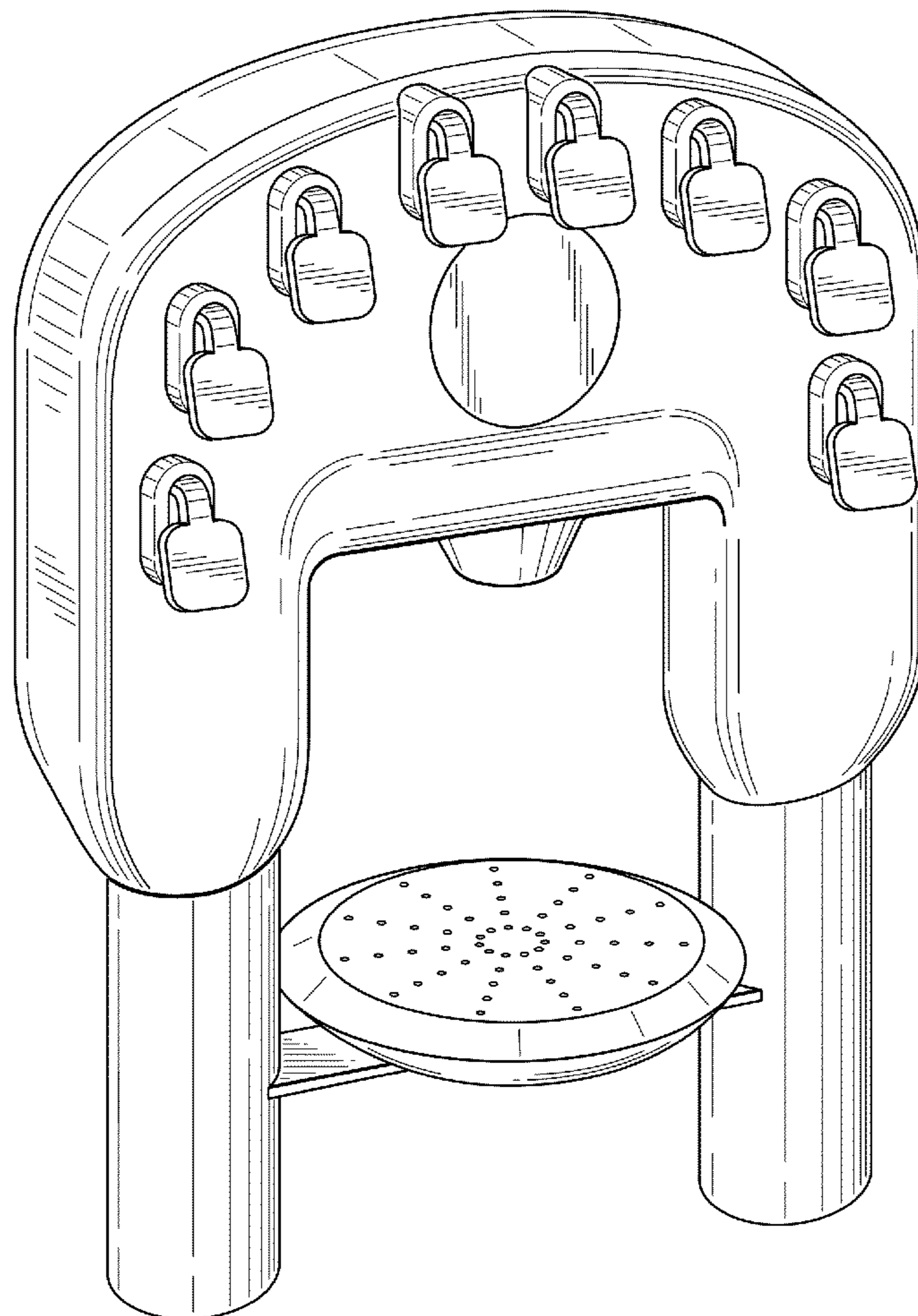


Fig. 1

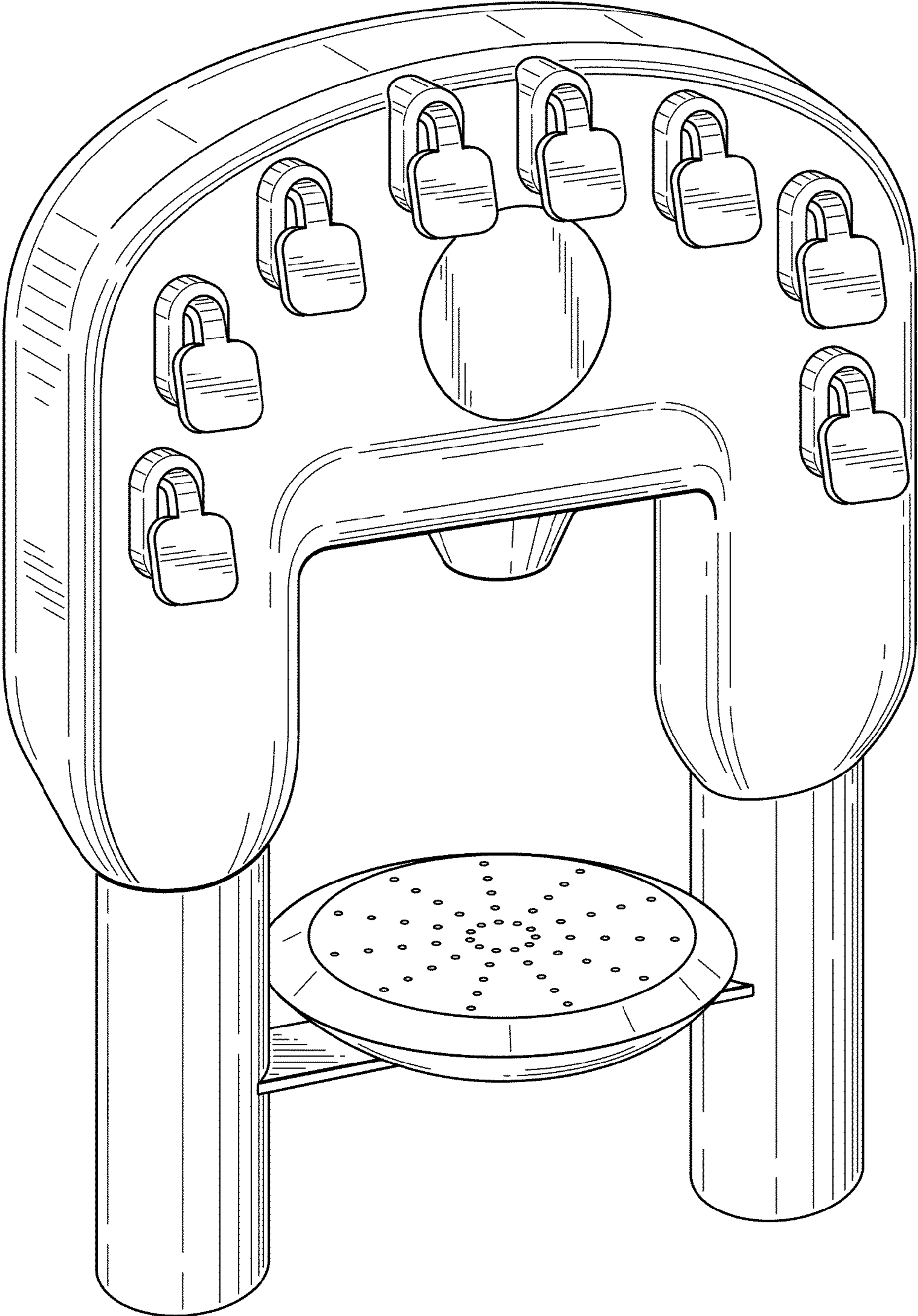
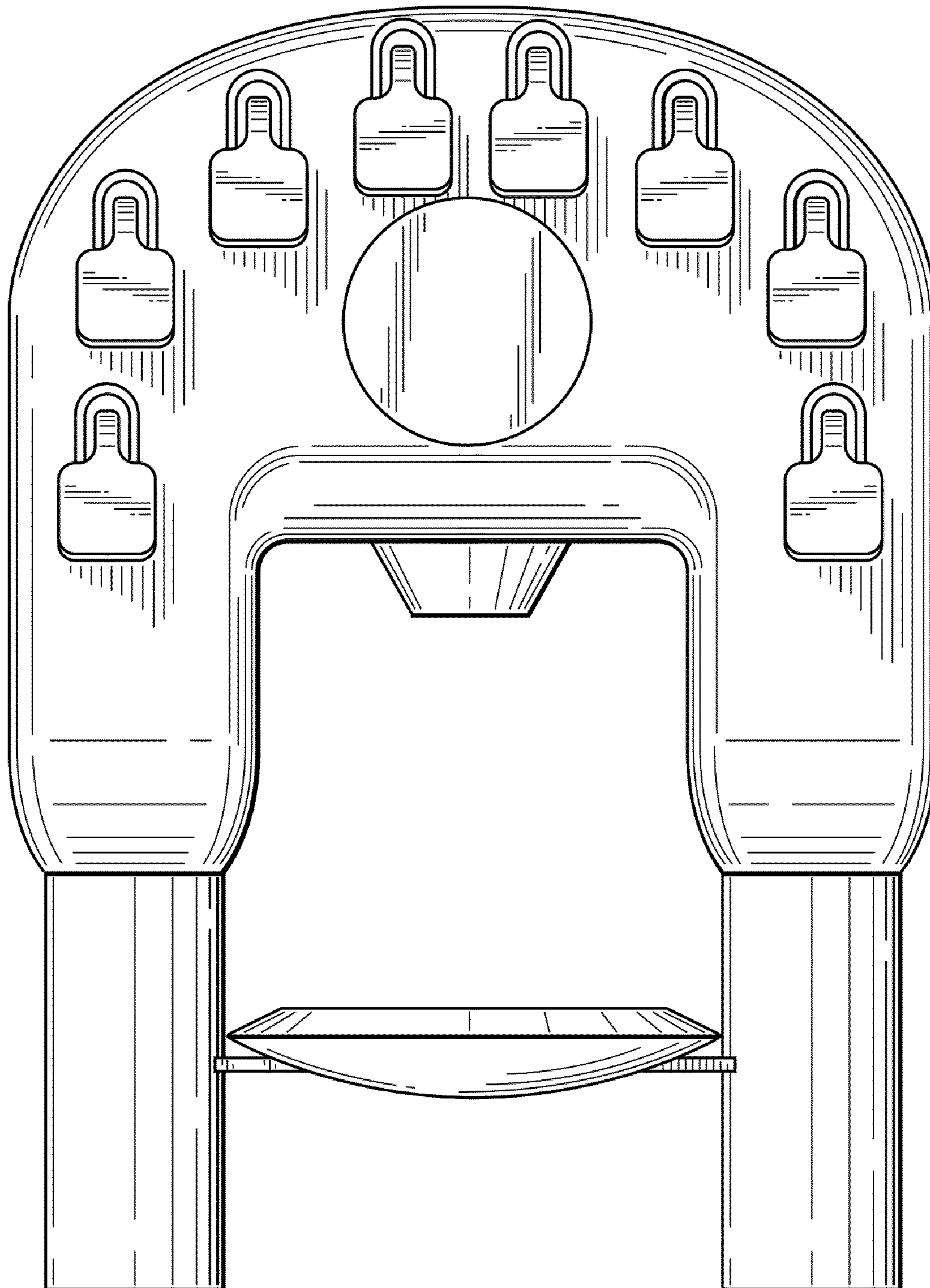


Fig. 2



**Fig. 3**

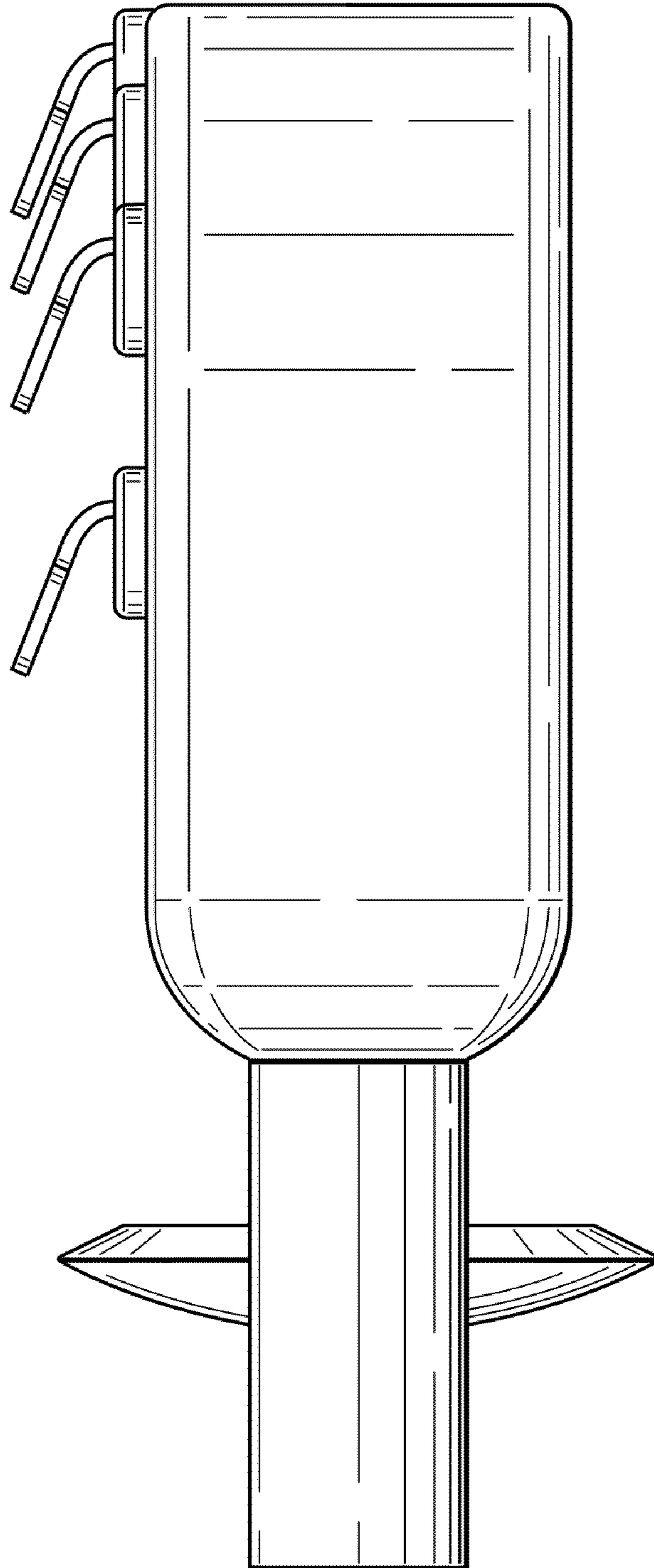
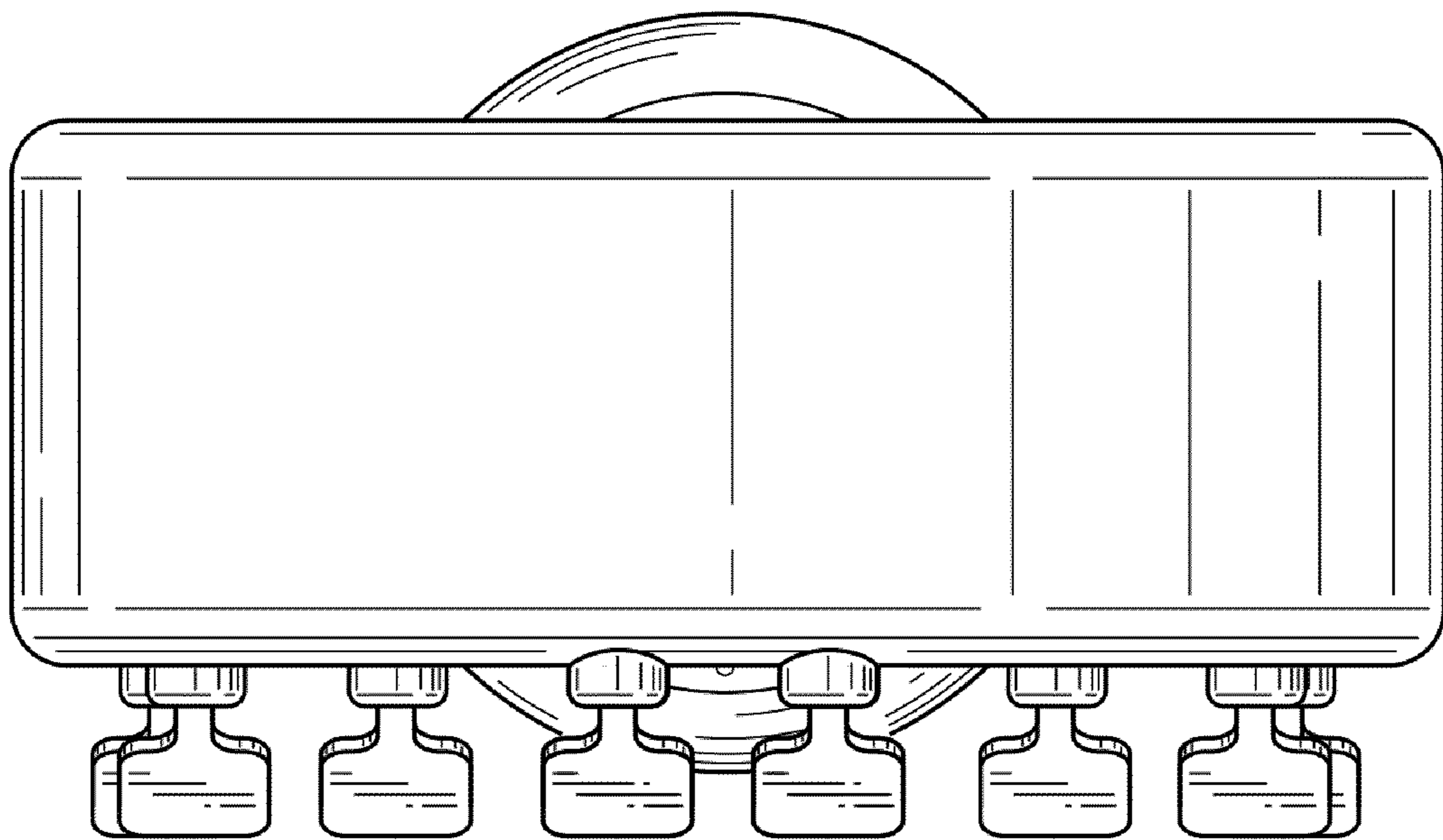


Fig. 4



**Fig. 5**

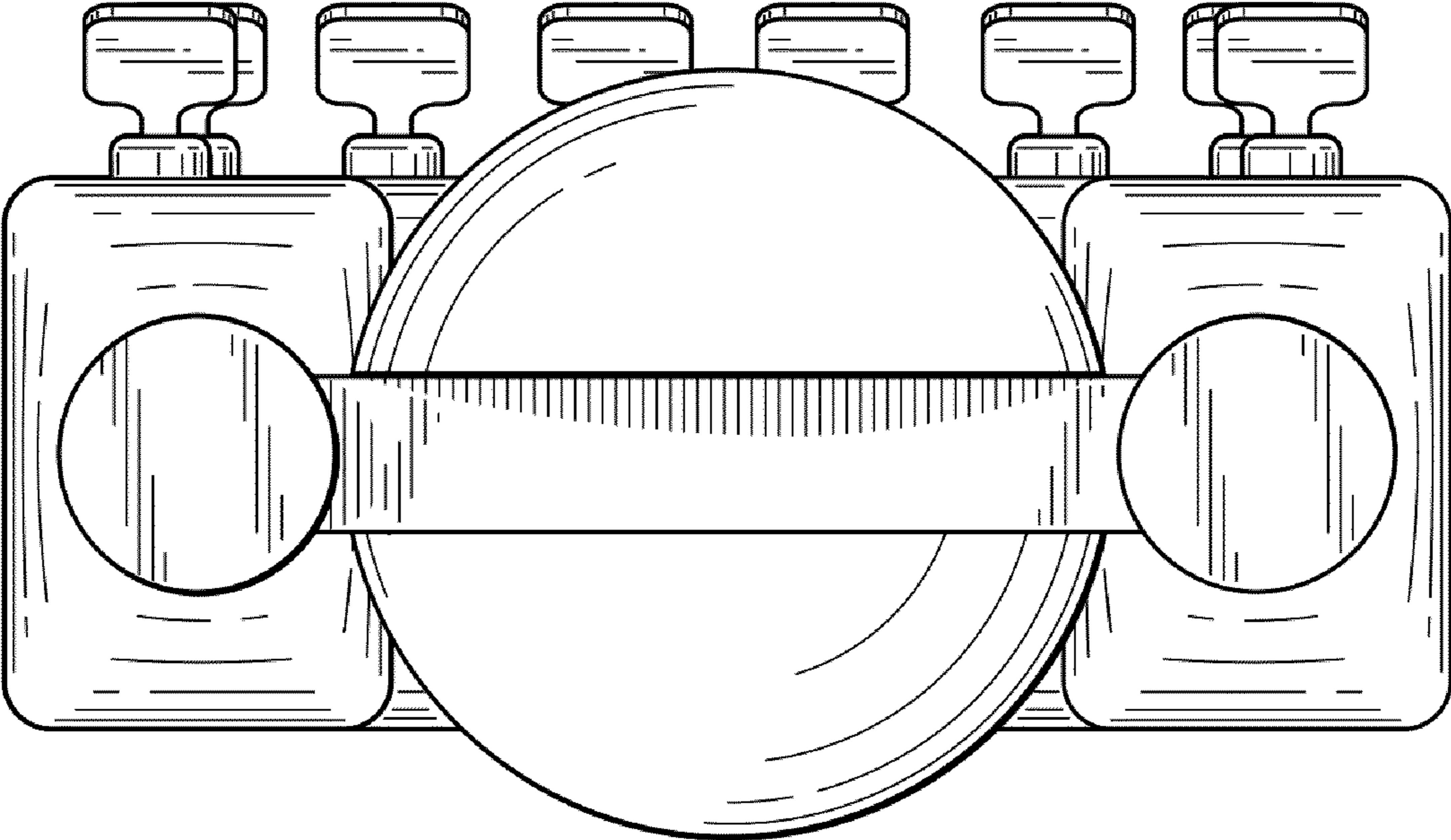


Fig. 6

