



US00D678707S

(12) **United States Design Patent**  
**Sevcik**

(10) **Patent No.:** **US D678,707 S**  
(45) **Date of Patent:** **\*\* Mar. 26, 2013**

(54) **SOFT DRINK DISPENSER**

(56) **References Cited**

(75) Inventor: **Scott Sevcik**, Crystal Lake, IL (US)

U.S. PATENT DOCUMENTS

(73) Assignee: **IMI Cornelius, Inc.**, Glendale Heights, IL (US)

D185,738	S	*	7/1959	Cornelius	.....	D7/308
D333,405	S	*	2/1993	Moyer et al.	.....	D7/308
D390,059	S	*	2/1998	Saito	.....	D7/308
D411,935	S	*	7/1999	Roundtree	.....	D7/307
D484,354	S	*	12/2003	McDougall et al.	.....	D7/307
D609,044	S	*	2/2010	James	.....	D7/301

(\*\*) Term: **14 Years**

\* cited by examiner

(21) Appl. No.: **29/411,740**

*Primary Examiner* — Marianne Pandozzi

(22) Filed: **Jan. 25, 2012**

(74) *Attorney, Agent, or Firm* — Niro, Haller & Niro

**Related U.S. Application Data**

(57) **CLAIM**

(63) Continuation-in-part of application No. 29/396,246, filed on Jun. 28, 2011, and a continuation-in-part of application No. 29/405,521, filed on Nov. 3, 2011.

The ornamental design for a soft drink dispenser, as shown and described.

(51) **LOC (9) Cl.** ..... **07-01**

**DESCRIPTION**

(52) **U.S. Cl.** ..... **D7/306**

FIG. 1 is a perspective view of a soft drink dispenser showing my new design;  
FIG. 2 is a front view thereof;  
FIG. 3 is a right side view thereof, the left side view being a mirror image thereof;  
FIG. 4 is top view thereof;  
FIG. 5 is a bottom view thereof; and,  
FIG. 6 is a back view thereof.

(58) **Field of Classification Search** ..... D7/301,  
D7/307-308, 309-311, 397, 399, 300, 306;  
222/1; 251/242

See application file for complete search history.

**1 Claim, 6 Drawing Sheets**

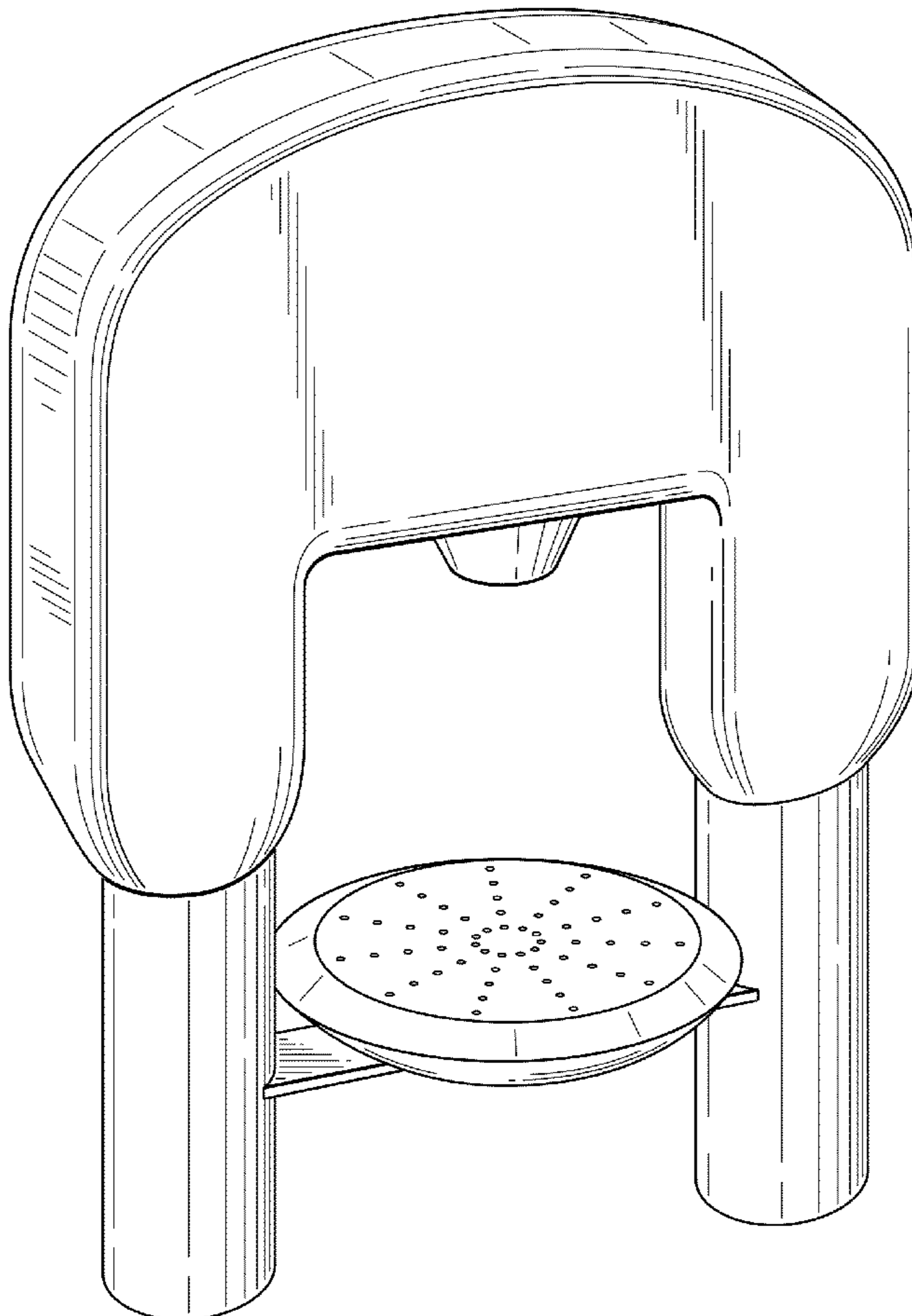


Fig. 1

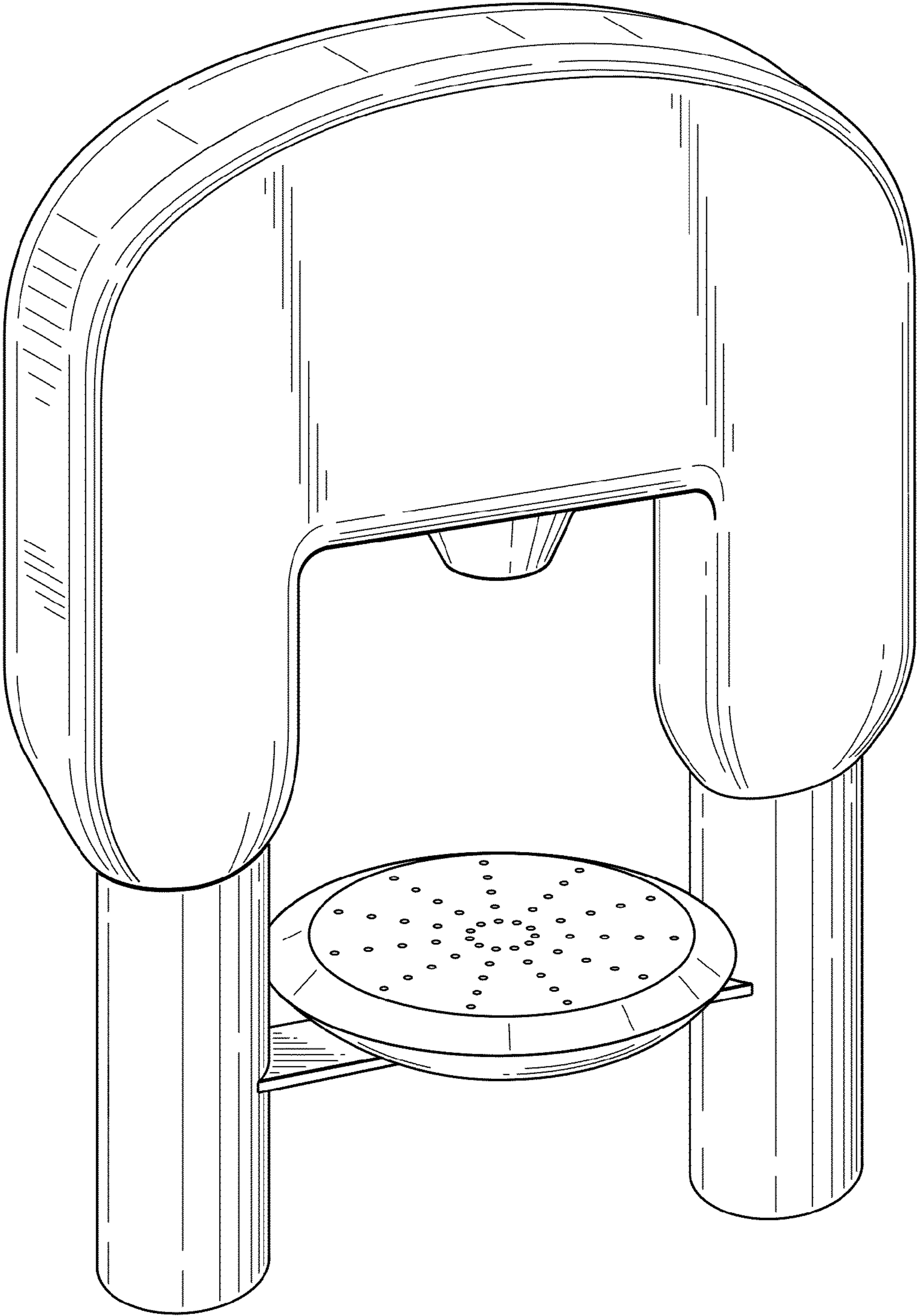
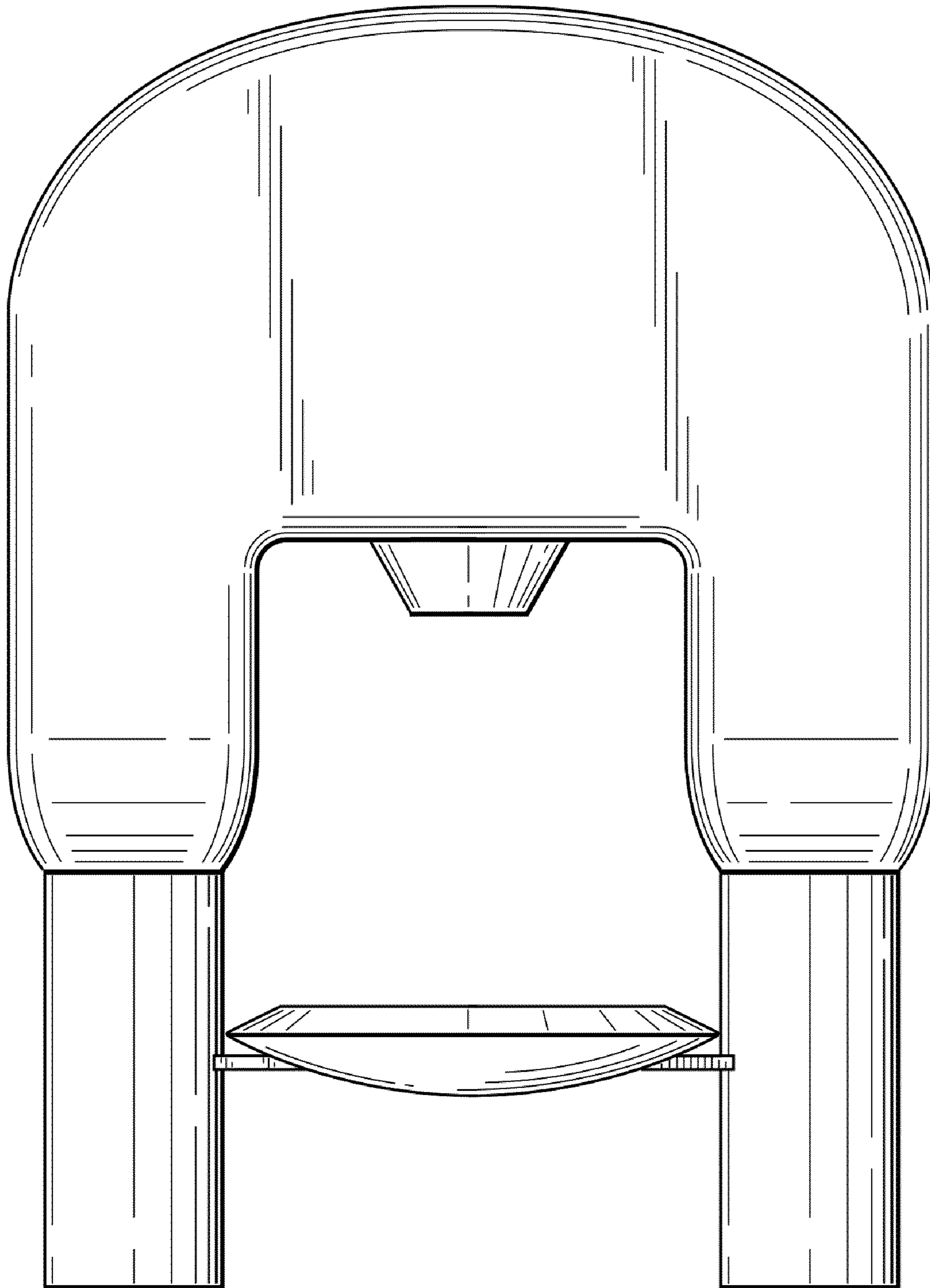
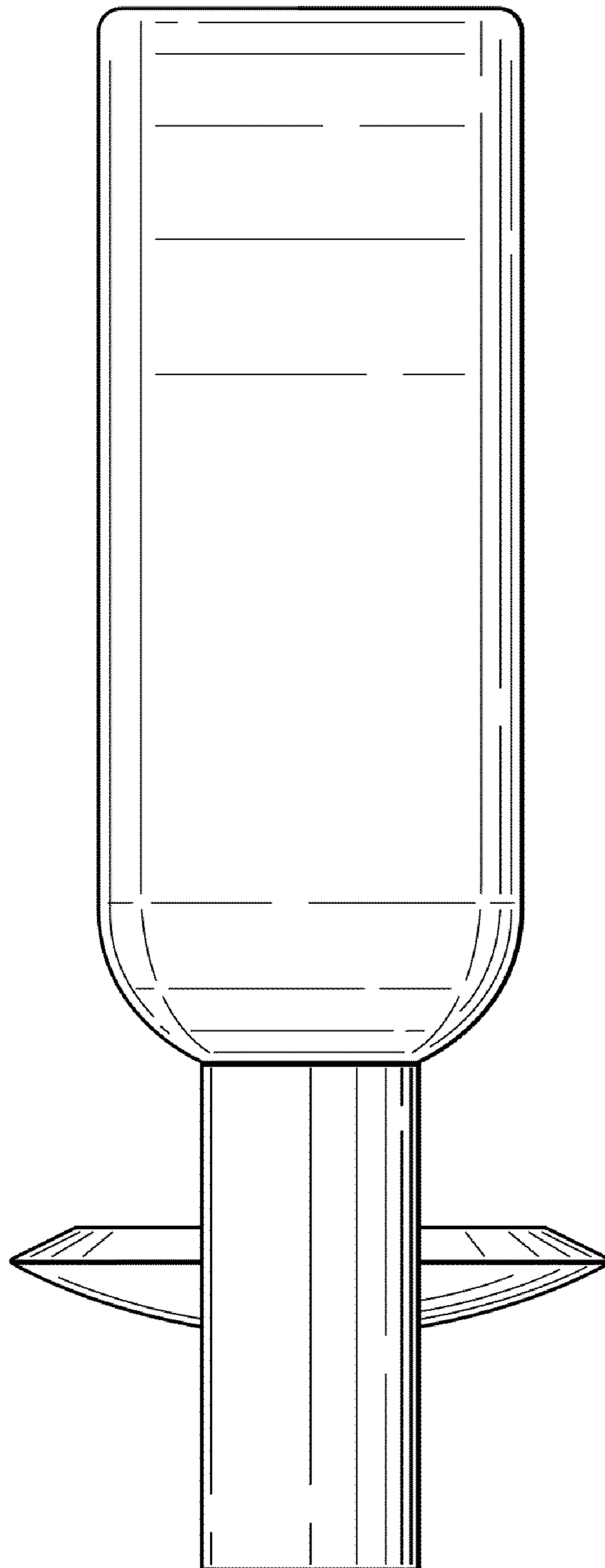


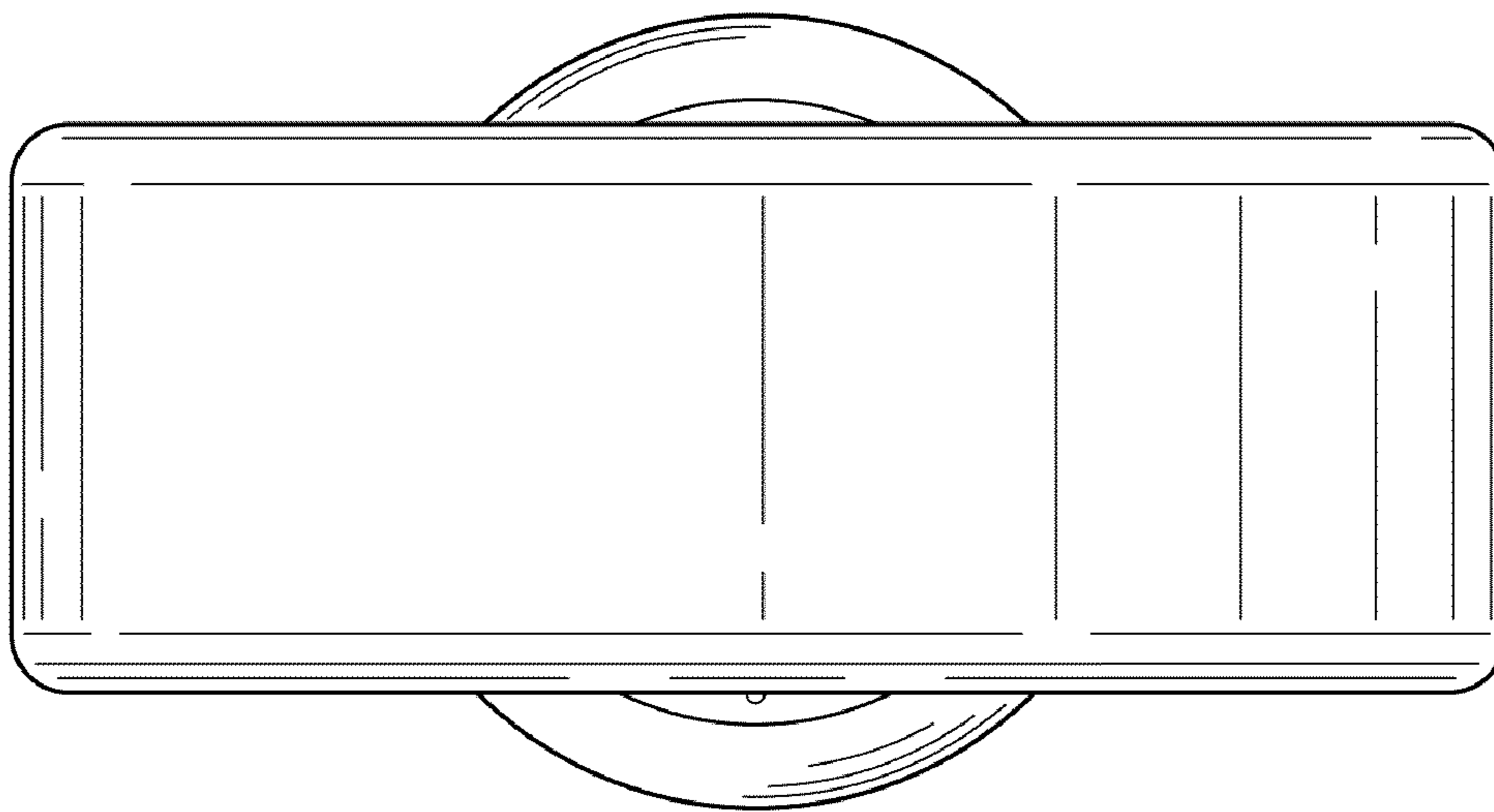
Fig. 2



**Fig. 3**



**Fig. 4**



**Fig. 5**

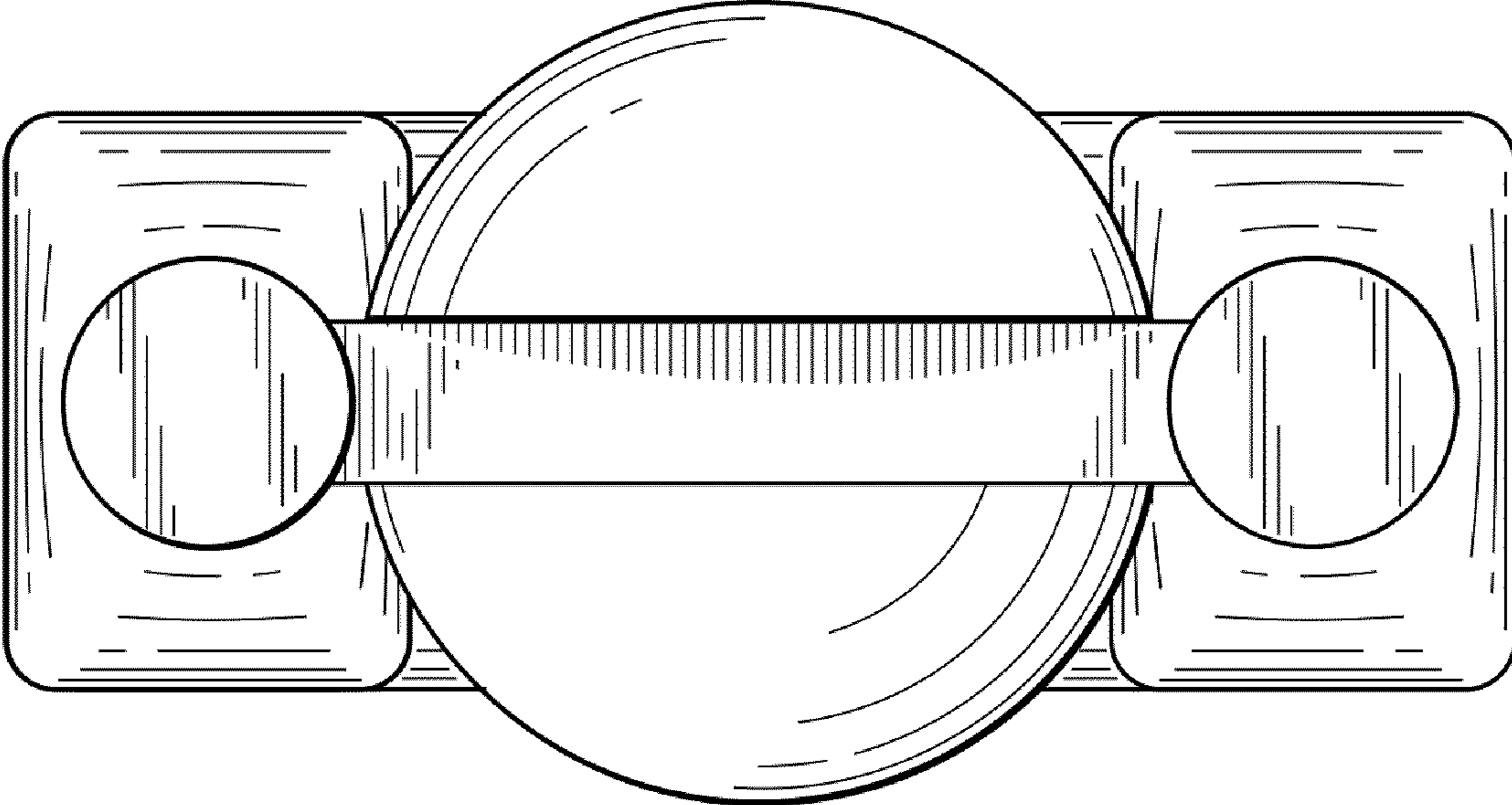


Fig. 6

