



US00D678706S

(12) **United States Design Patent**
Sevcik

(10) **Patent No.:** **US D678,706 S**
(45) **Date of Patent:** **** Mar. 26, 2013**

(54) **SOFT DRINK DISPENSER**

(75) Inventor: **Scott Sevcik**, Crystal Lake, IL (US)
(73) Assignee: **IMI Cornelius, Inc.**, Glendale Heights, IL (US)
(**) Term: **14 Years**
(21) Appl. No.: **29/409,575**
(22) Filed: **Dec. 26, 2011**

Related U.S. Application Data

(63) Continuation-in-part of application No. 29/396,246, filed on Jun. 28, 2011, and a continuation-in-part of application No. 29/405,521, filed on Nov. 3, 2011.
(51) **LOC (9) Cl.** **07-01**
(52) **U.S. Cl.** **D7/306; D7/311**
(58) **Field of Classification Search** D7/301, D7/307-308, 309-311, 397, 399, 300, 306; 222/1; 251/242

See application file for complete search history.

(56) **References Cited**

U.S. PATENT DOCUMENTS

D185,738	S	*	7/1959	Cornelius	D7/308
D333,405	S	*	2/1993	Moyer et al.	D7/308
D390,059	S	*	2/1998	Saito	D7/308
D411,935	S	*	7/1999	Roundtree	D7/307
D484,354	S	*	12/2003	McDougall et al.	D7/307
D609,044	S	*	2/2010	James	D7/301

* cited by examiner

Primary Examiner — Marianne Pandozzi
(74) *Attorney, Agent, or Firm* — Niro, Haller & Niro

(57) **CLAIM**

The ornamental design for a soft drink dispenser, as shown and described.

DESCRIPTION

FIG. 1 is a perspective view of a soft drink dispenser showing my new design;
FIG. 2 is a front view thereof;
FIG. 3 is a right side view thereof, the left side view being a mirror image thereof;
FIG. 4 is top view thereof;
FIG. 5 is a bottom view thereof; and,
FIG. 6 is a back view thereof.
Broken lines indicate boundaries of regions that form no part of the claimed design.

1 Claim, 6 Drawing Sheets

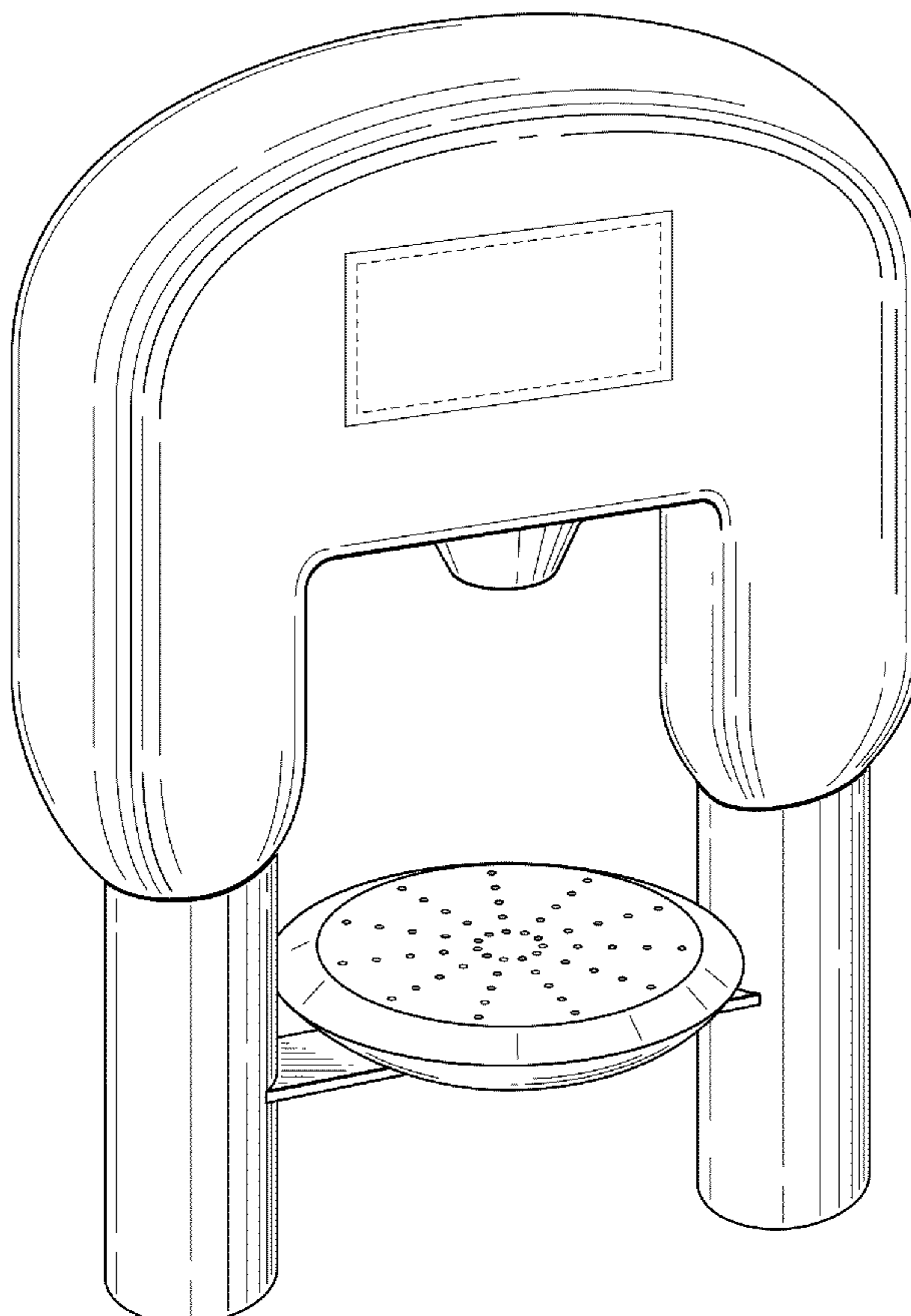


Fig. 1

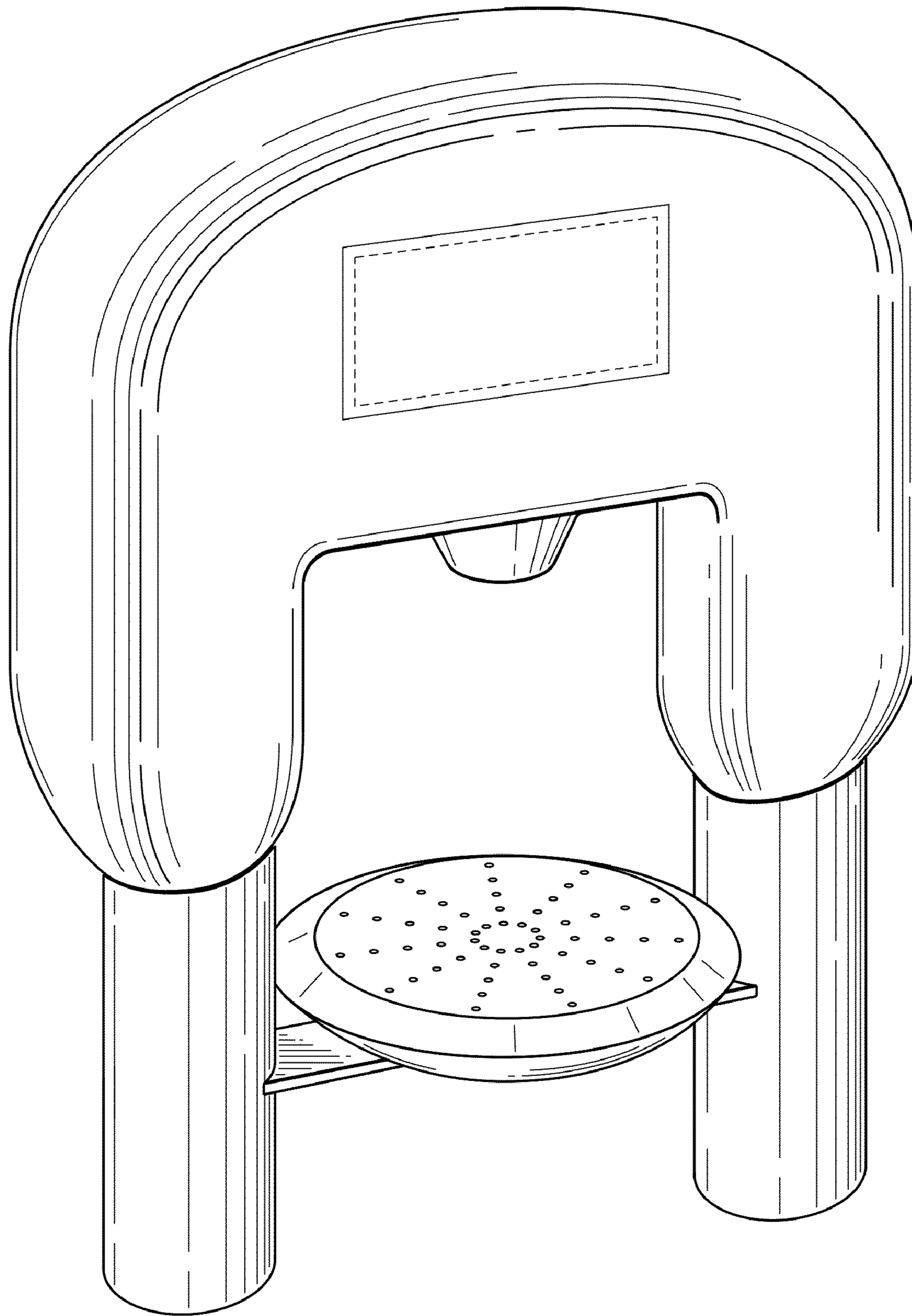


Fig. 2

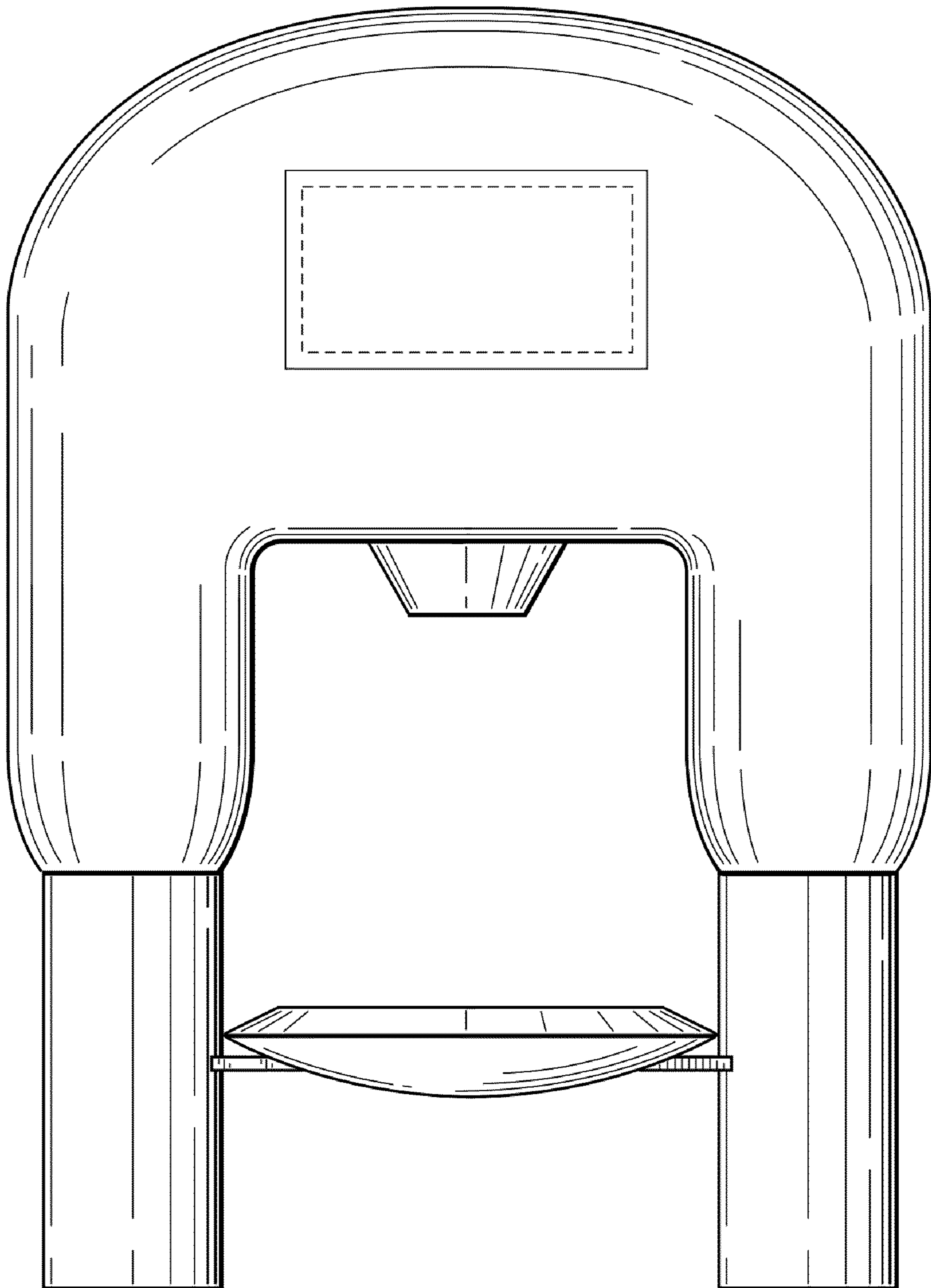


Fig. 3

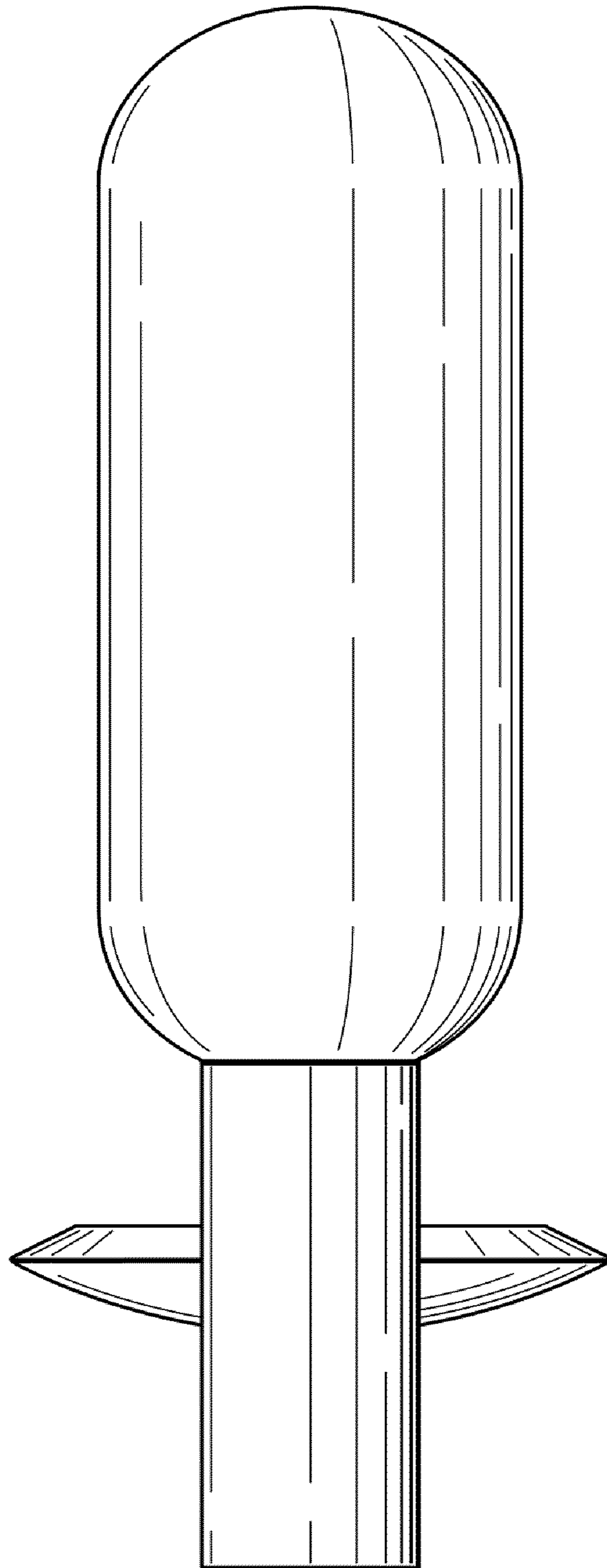


Fig. 4

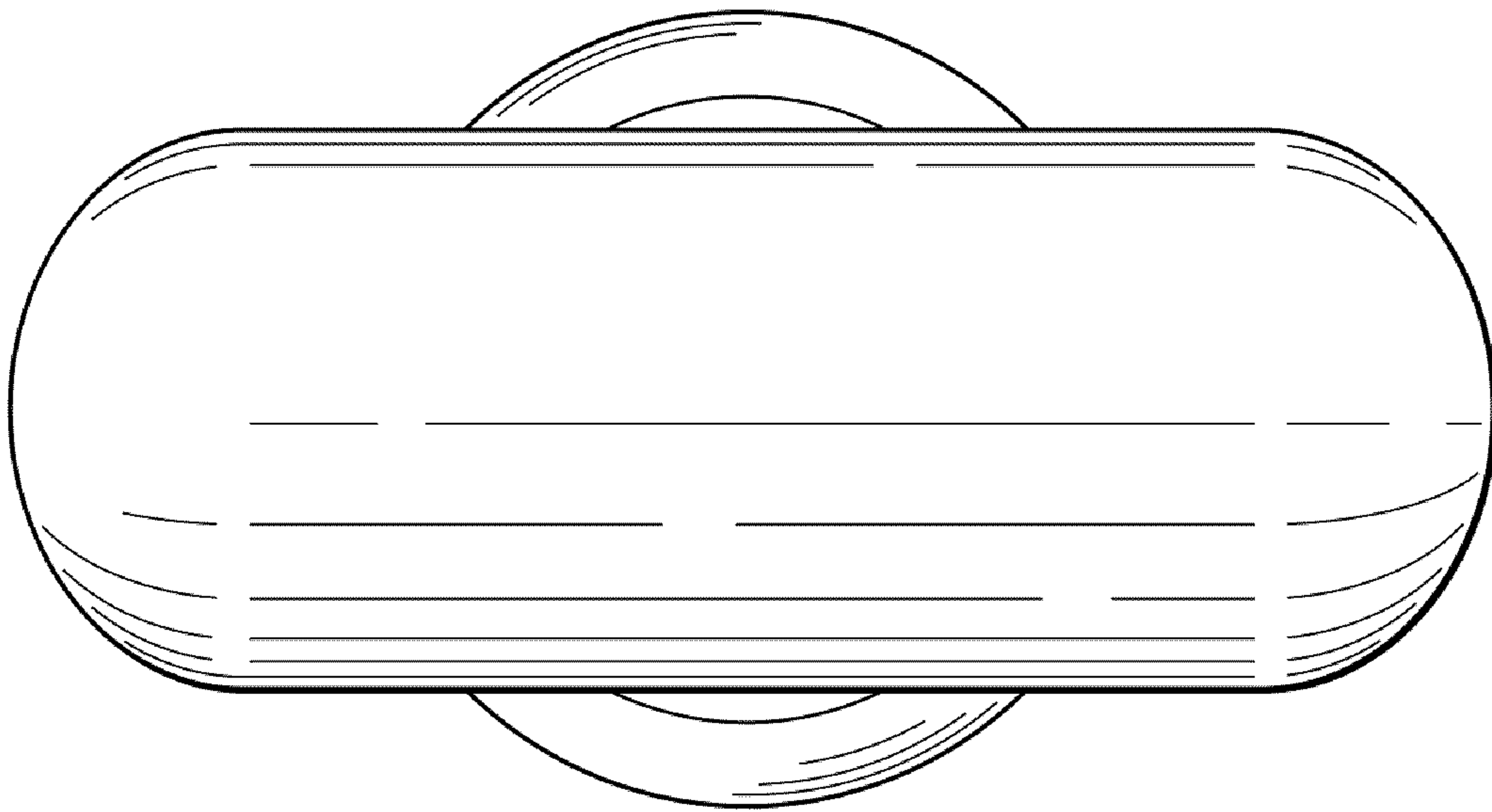


Fig. 5

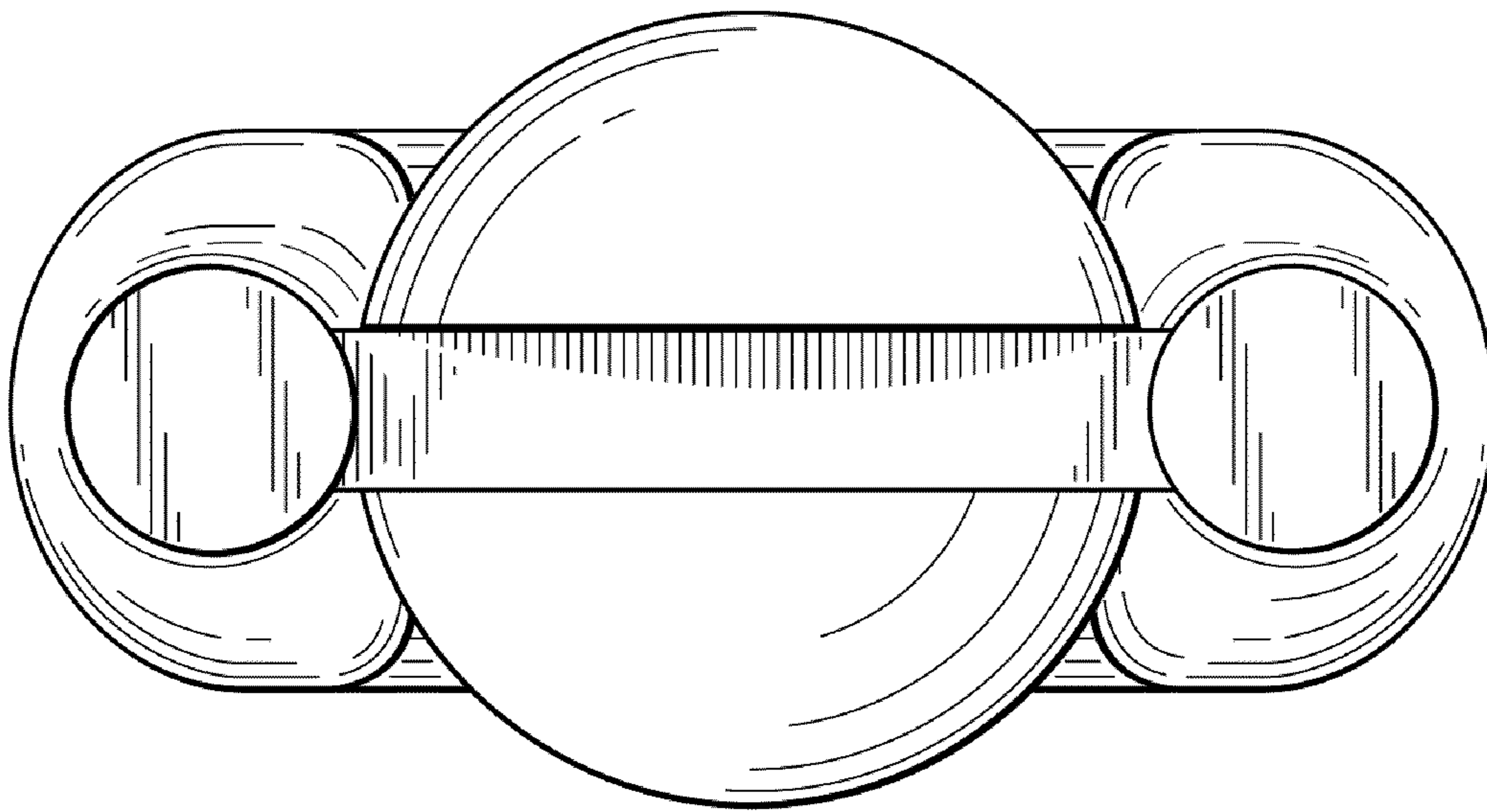


Fig. 6

