



US00D678704S

(12) **United States Design Patent**
Jones

(10) **Patent No.:** **US D678,704 S**
(45) **Date of Patent:** **** Mar. 26, 2013**

(54) **POCKETED GOLF TOWEL**
(75) Inventor: **Darren Jones**, American Fork, UT (US)
(73) Assignee: **Alpine Innovations LLC**, Lehi, UT (US)
(**) Term: **14 Years**
(21) Appl. No.: **29/400,502**

(22) Filed: **Aug. 29, 2011**
(51) **LOC (9) Cl.** **06-09**
(52) **U.S. Cl.** **D6/608; D21/789**
(58) **Field of Classification Search** **D6/595, D6/608; D21/789; 15/208, 209.1; 428/82**
See application file for complete search history.

(56) **References Cited**

U.S. PATENT DOCUMENTS

1,478,112	A *	12/1923	Flather	15/209.1
4,224,712	A *	9/1980	Black et al.	15/209.1
4,516,616	A *	5/1985	Fesler	150/154
D317,693	S *	6/1991	Jencks et al.	D6/608
5,147,703	A *	9/1992	Provost et al.	428/82
D423,151	S *	4/2000	Rubinstein	D30/158
D522,602	S *	6/2006	Larsen	D21/789

* cited by examiner

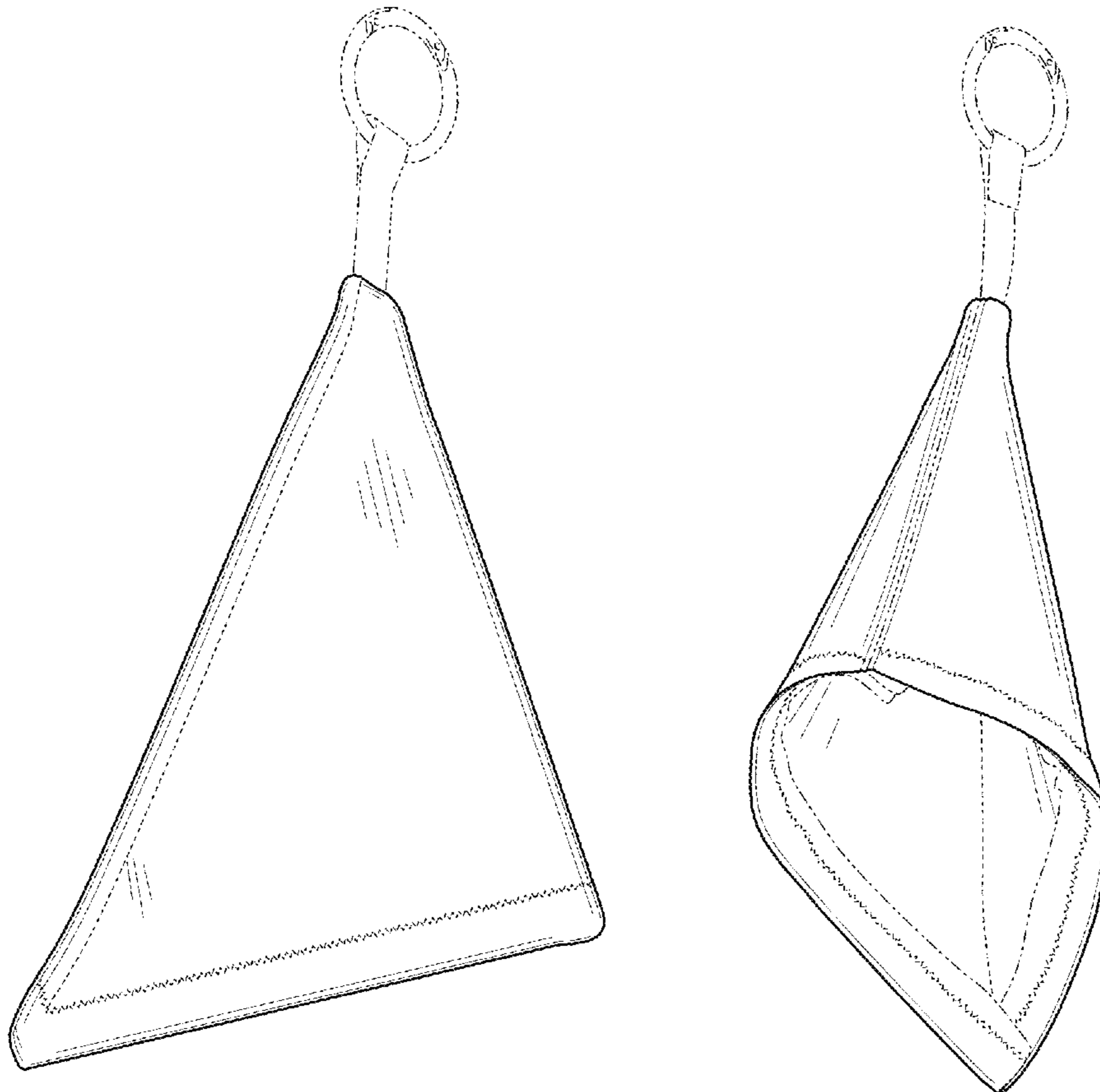
Primary Examiner — Janice Seeger
(74) *Attorney, Agent, or Firm* — Thorpe North & Western LLP

(57) **CLAIM**
What is claimed is the ornamental design for a pocketed golf towel, as shown and described.

DESCRIPTION

FIG. 1 is a top, right side perspective view of the invention; FIG. 2 is a right side view thereof; FIG. 3 is a left side view thereof; FIG. 4 is a rear end view thereof; FIG. 5 is a front end view thereof; FIG. 6 is a top view thereof; FIG. 7 is a bottom view thereof; and, FIG. 8 is a bottom front perspective view with an opening of the device in an open position exposing a the pocket for insertion of an object for cleaning or polishing. The phantom or broken line showing is for illustrative purposes only and forms no part of the claimed design. The right and left sides of the device are mirror images of one another.

1 Claim, 4 Drawing Sheets



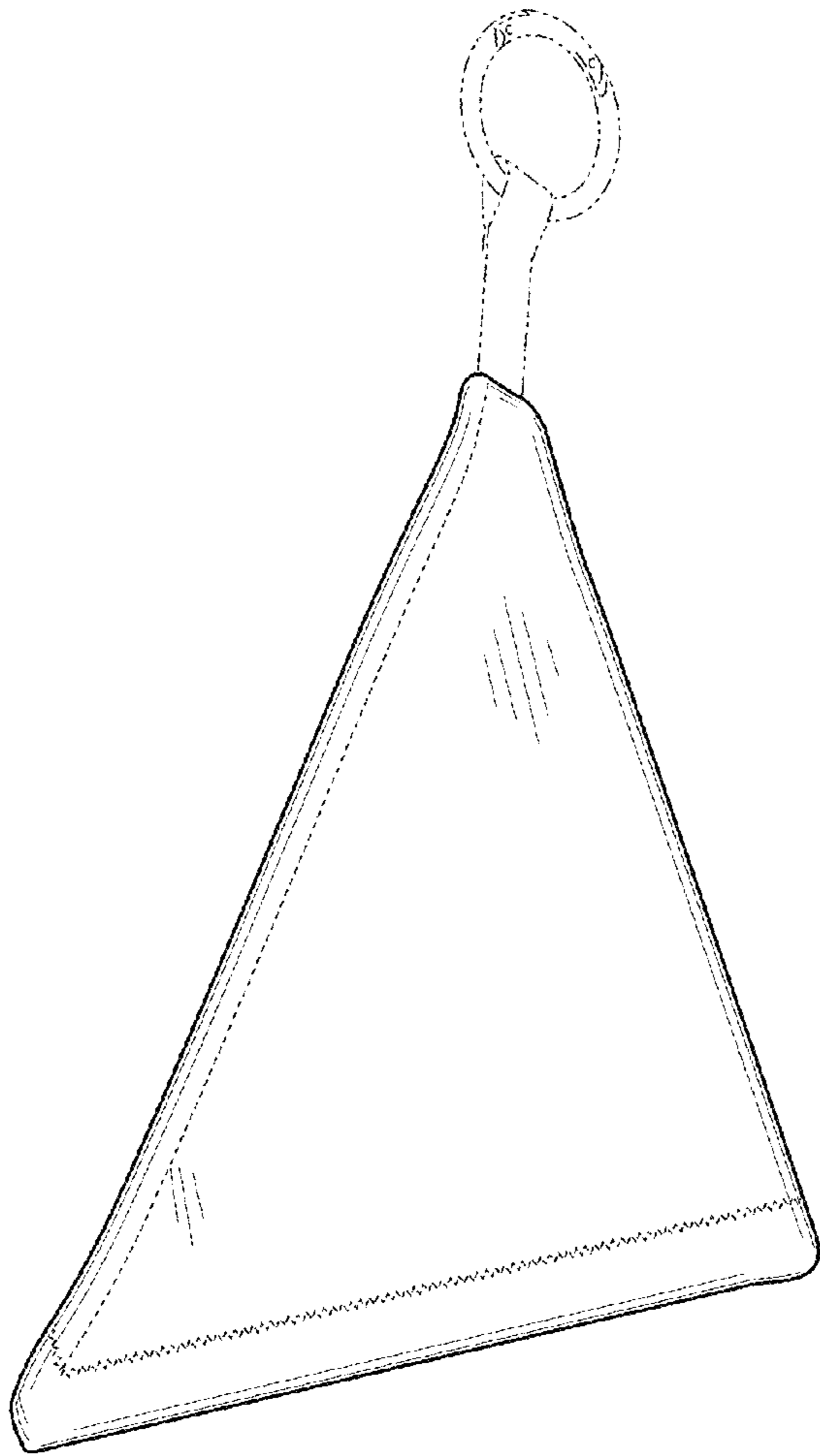


FIG. 1

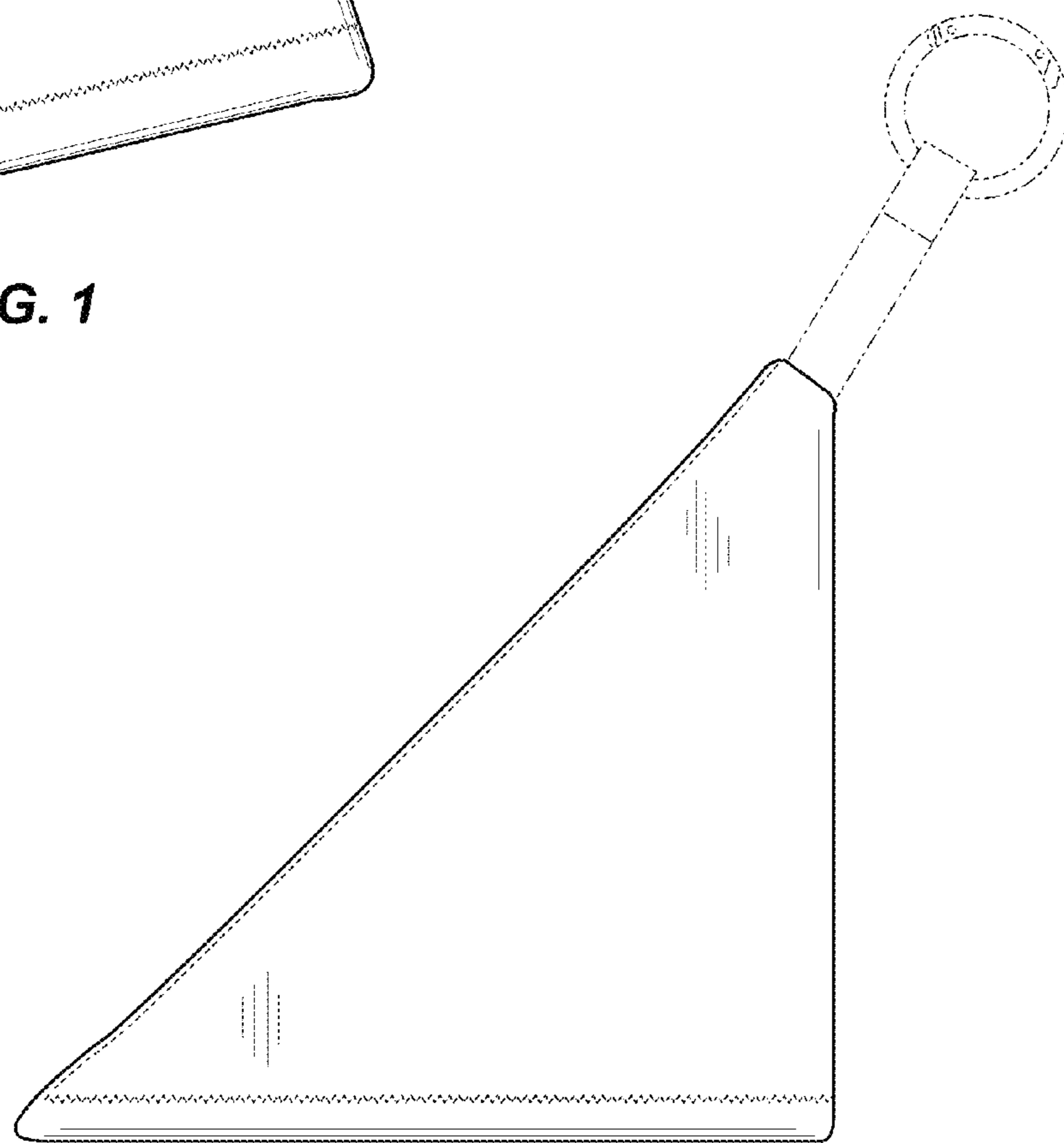


FIG. 2

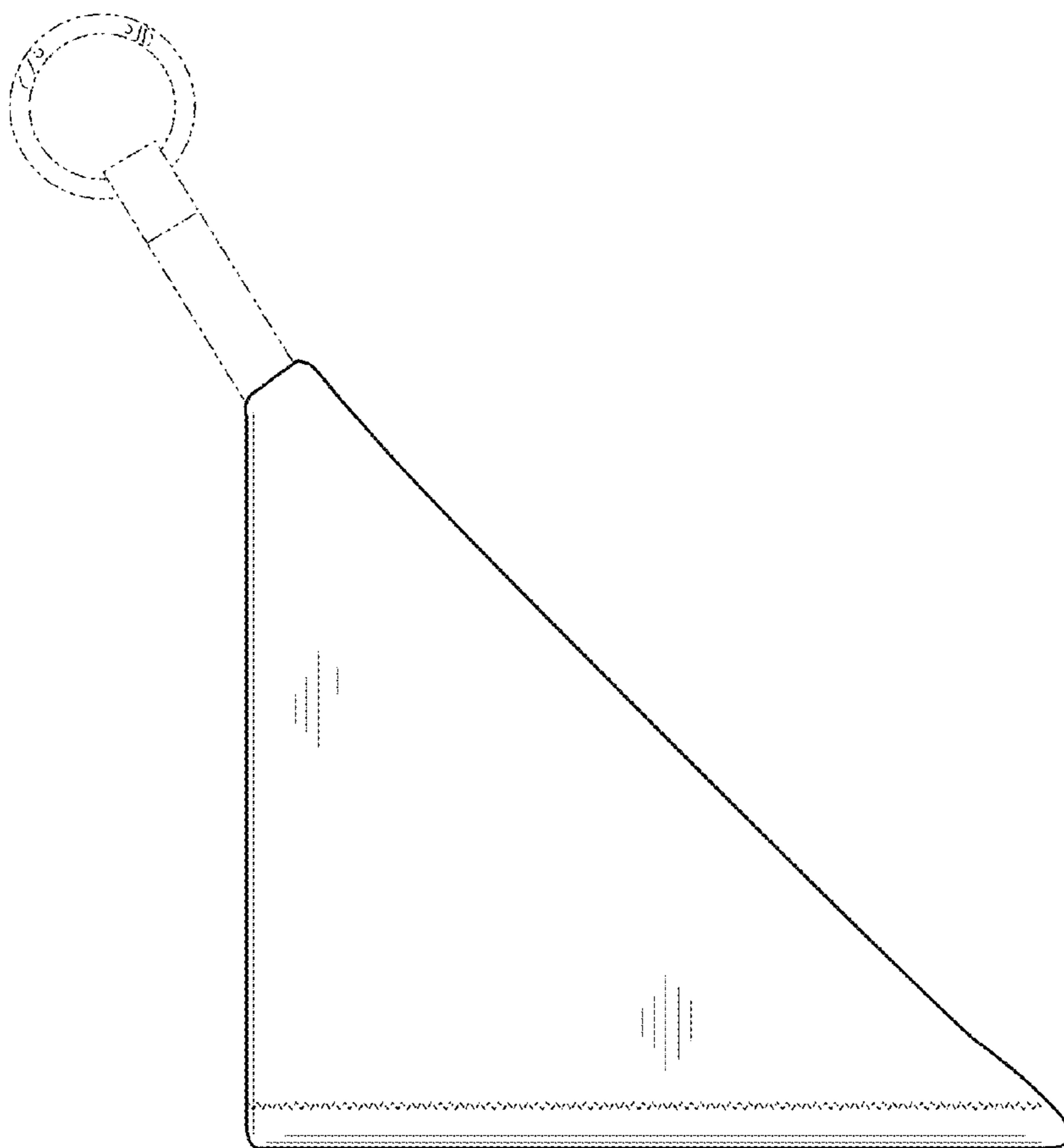


FIG. 3

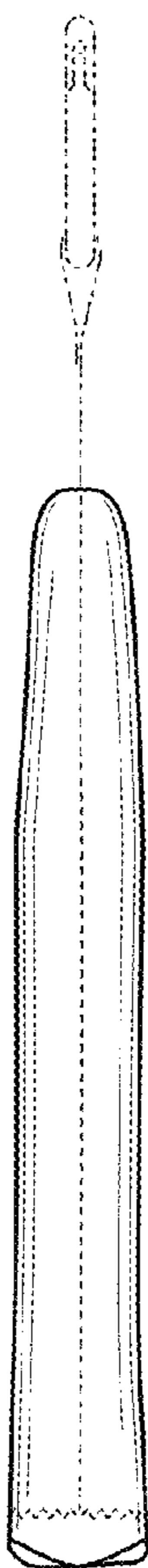


FIG. 4

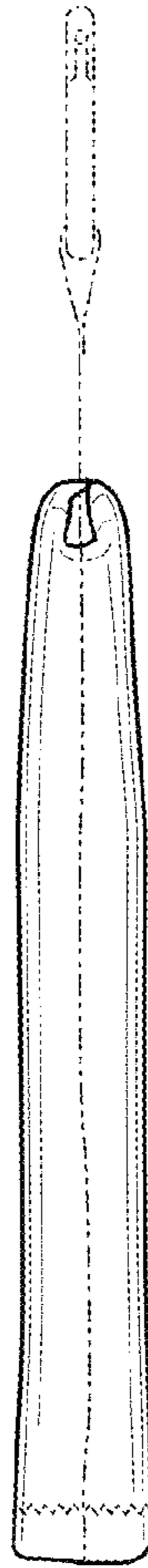


FIG. 5

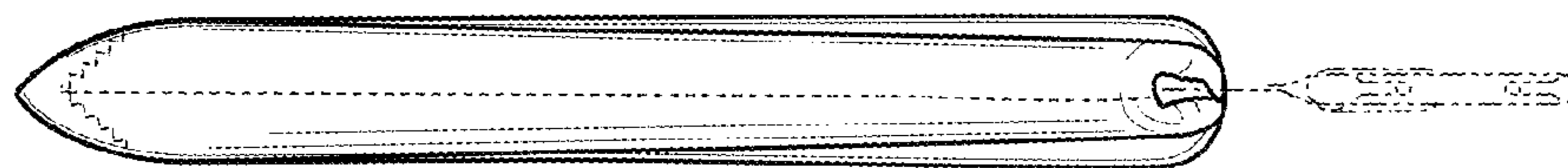


FIG. 6

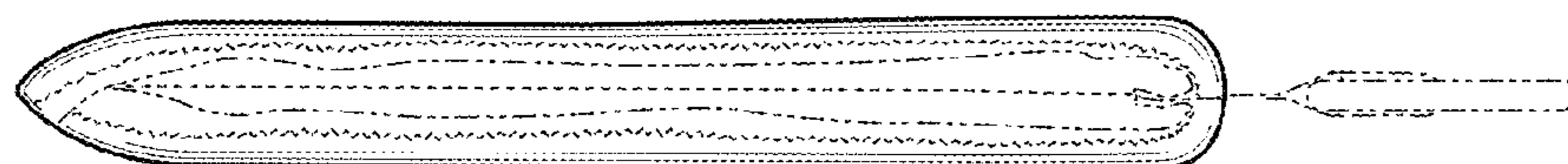


FIG. 7

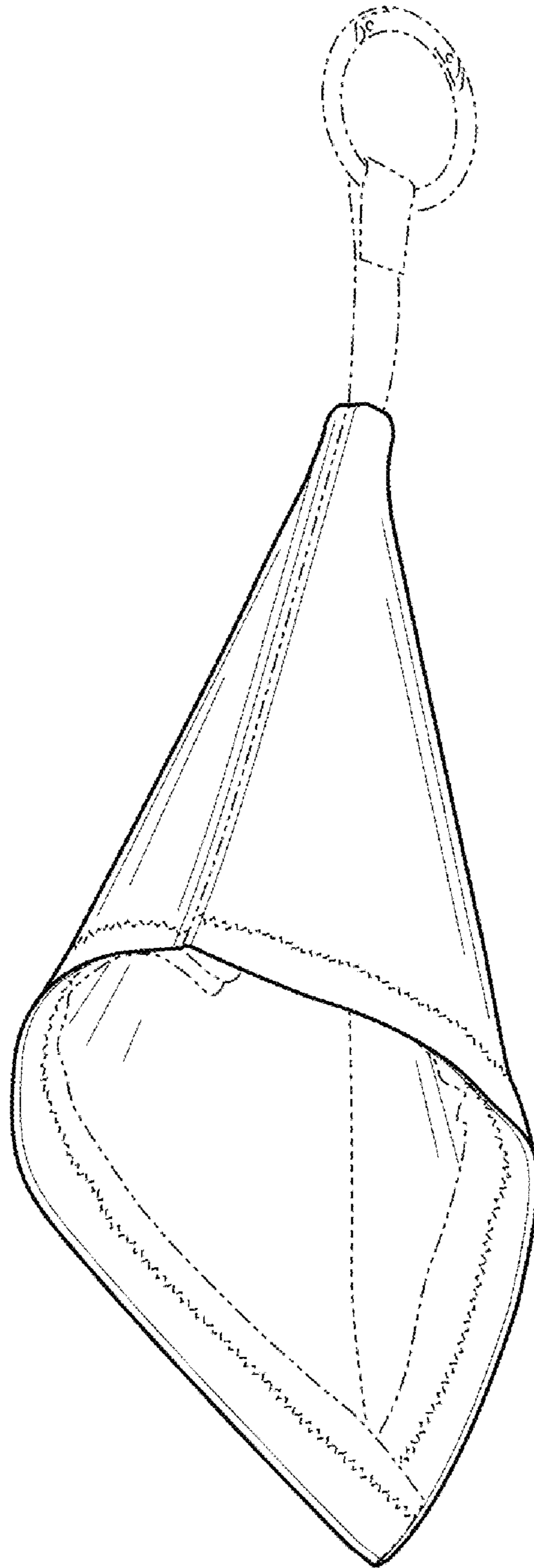


FIG. 8