



US00D678702S

(12) **United States Design Patent**
Stravitz

(10) **Patent No.:** **US D678,702 S**
(45) **Date of Patent:** **** Mar. 26, 2013**

(54) **MULTI-PURPOSE ORGANIZER**

(75) Inventor: **David M. Stravitz**, New York, NY (US)

(73) Assignee: **Block and Company, Inc.**, Wheeling, IL (US)

(**) Term: **14 Years**

(21) Appl. No.: **29/427,465**

(22) Filed: **Jul. 18, 2012**

(51) **LOC (9) Cl.** **06-04**

(52) **U.S. Cl.** **D6/571; D19/90**

(58) **Field of Classification Search** D6/512-514, D6/552, 553, 556, 567, 571, 466, 523, 525; D8/349, 354, 367, 373, 380, 381; D28/73, D28/86; D19/75, 77, 81, 100, 86, 90, 91; 108/33, 42; 211/13.1, 10, 85.1, 85.3, 85.6, 211/85.9, 14, 30, 32, 41.12, 69.5, 70.1, 70.6, 211/70.7, 60.1, 71.01, 72, 74, 75, 86.01, 211/87.01, 88.04, 134, 135; 248/37.3, 49, 248/200, 251, 300, 309.1, 311.2, 314, 694, 248/902, 907

See application file for complete search history.

(56) **References Cited**

U.S. PATENT DOCUMENTS

D314,114 S * 1/1991 Steinman D6/567
D521,562 S * 5/2006 Richter D19/91
D546,610 S * 7/2007 Blanchard D6/567
D587,053 S * 2/2009 Goodman et al. D19/90

* cited by examiner

Primary Examiner — Brian N Vinson

(74) *Attorney, Agent, or Firm* — Holtz, Holtz, Goodman & Chick PC

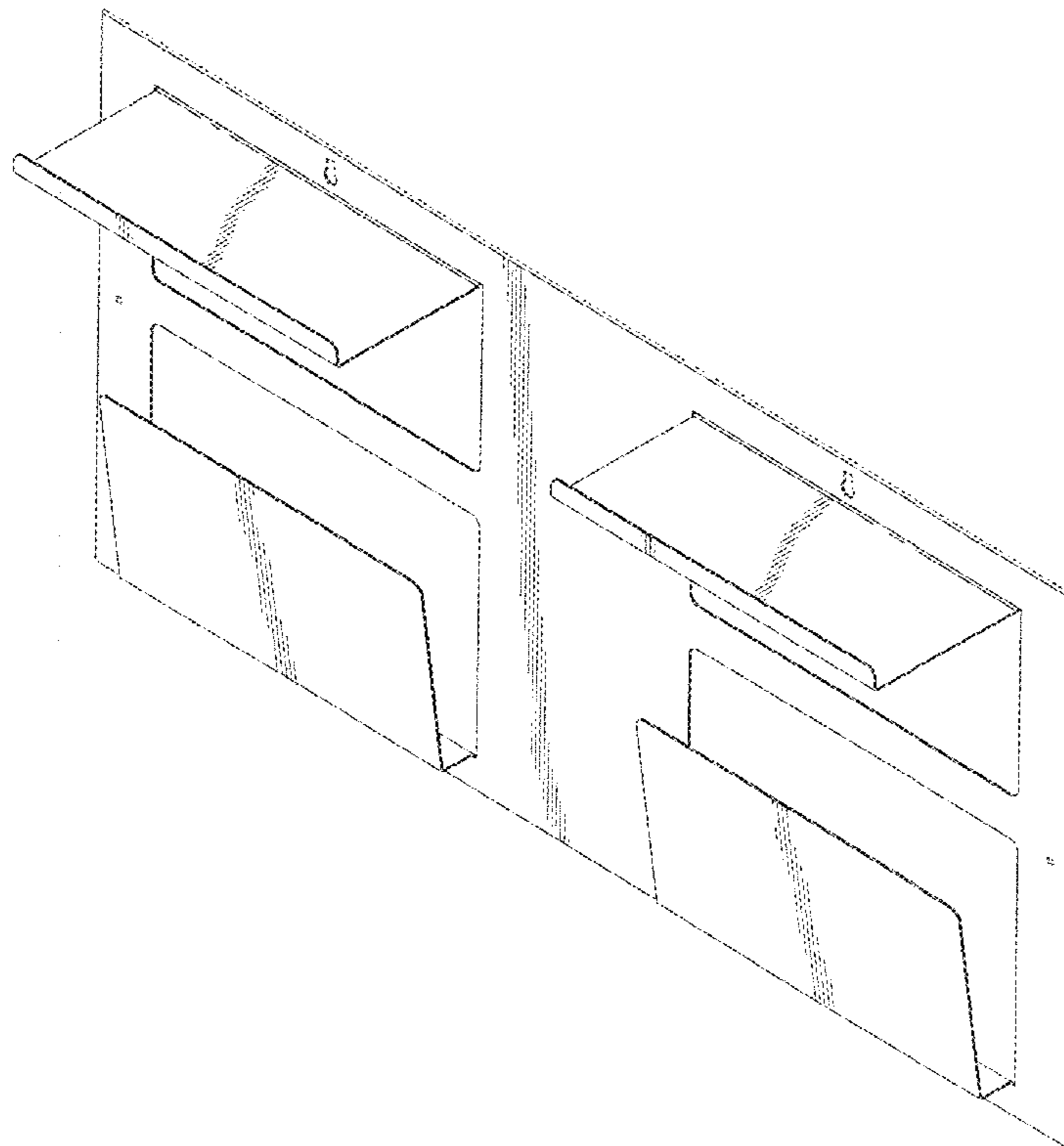
(57) **CLAIM**

An ornamental design for a multi-purpose organizer, as shown.

DESCRIPTION

FIG. 1 is a front, top perspective view of a multi-purpose organizer showing my new design; FIG. 2 is a rear, top perspective view thereof; FIG. 3 is a front elevational view thereof; FIG. 4 is a rear elevational view thereof; FIG. 5 is a right side view thereof; FIG. 6 is a left side view thereof; FIG. 7 is a top plan view thereof; and, FIG. 8 is a bottom plan view thereof. The broken line portions of the drawings are for illustrative purposes only, and form no part of the claimed design.

1 Claim, 6 Drawing Sheets



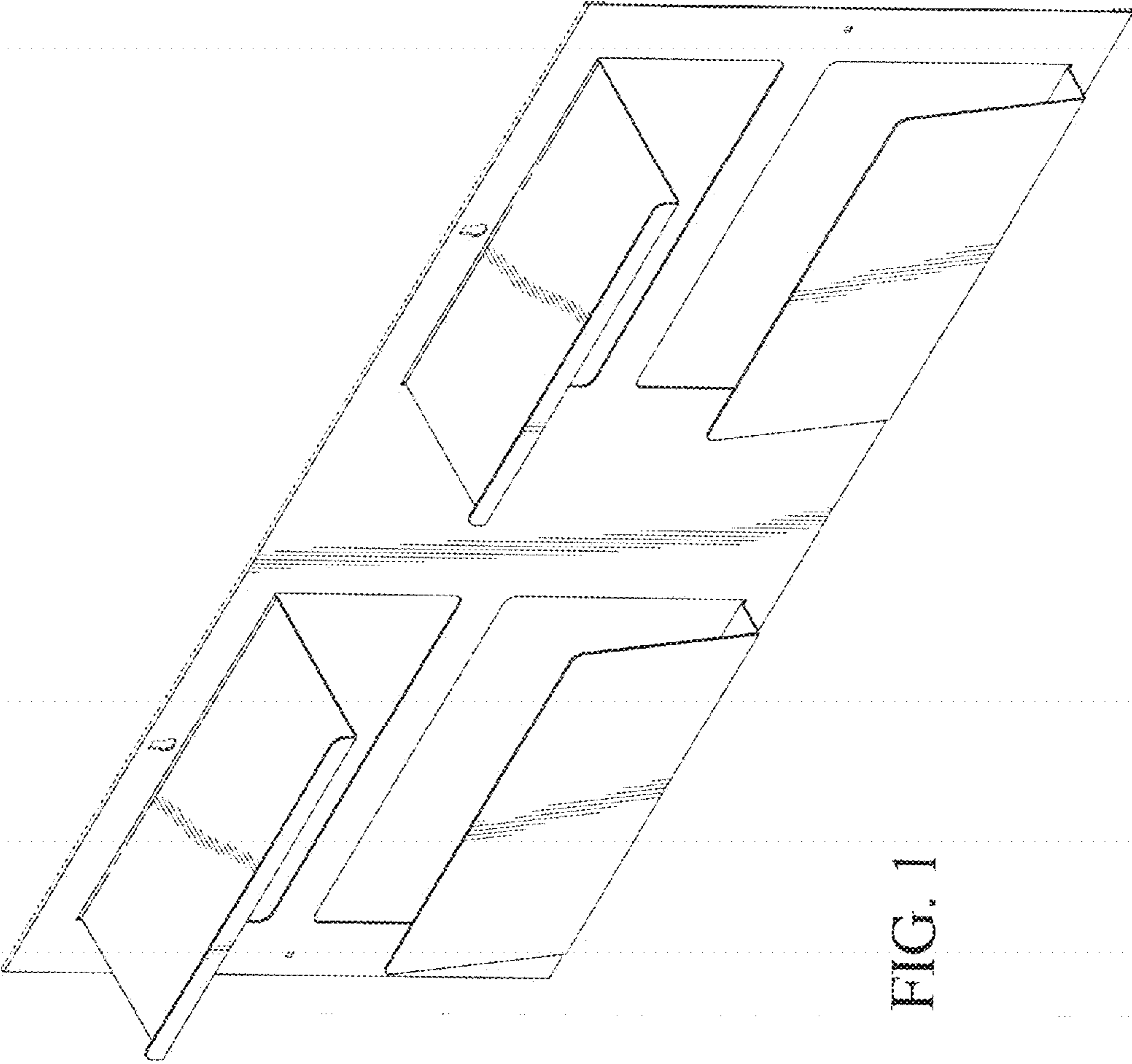


FIG. 1

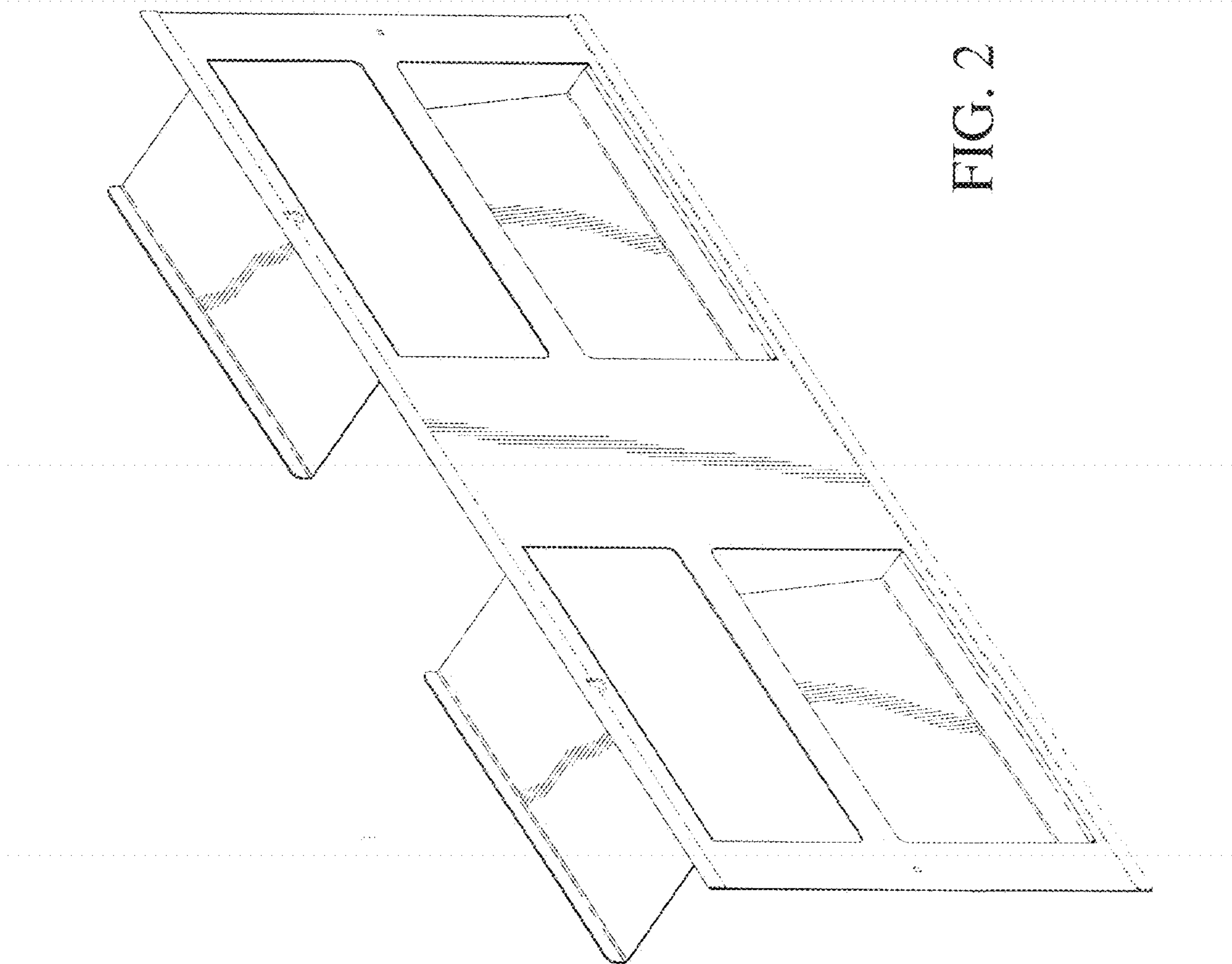


FIG. 2

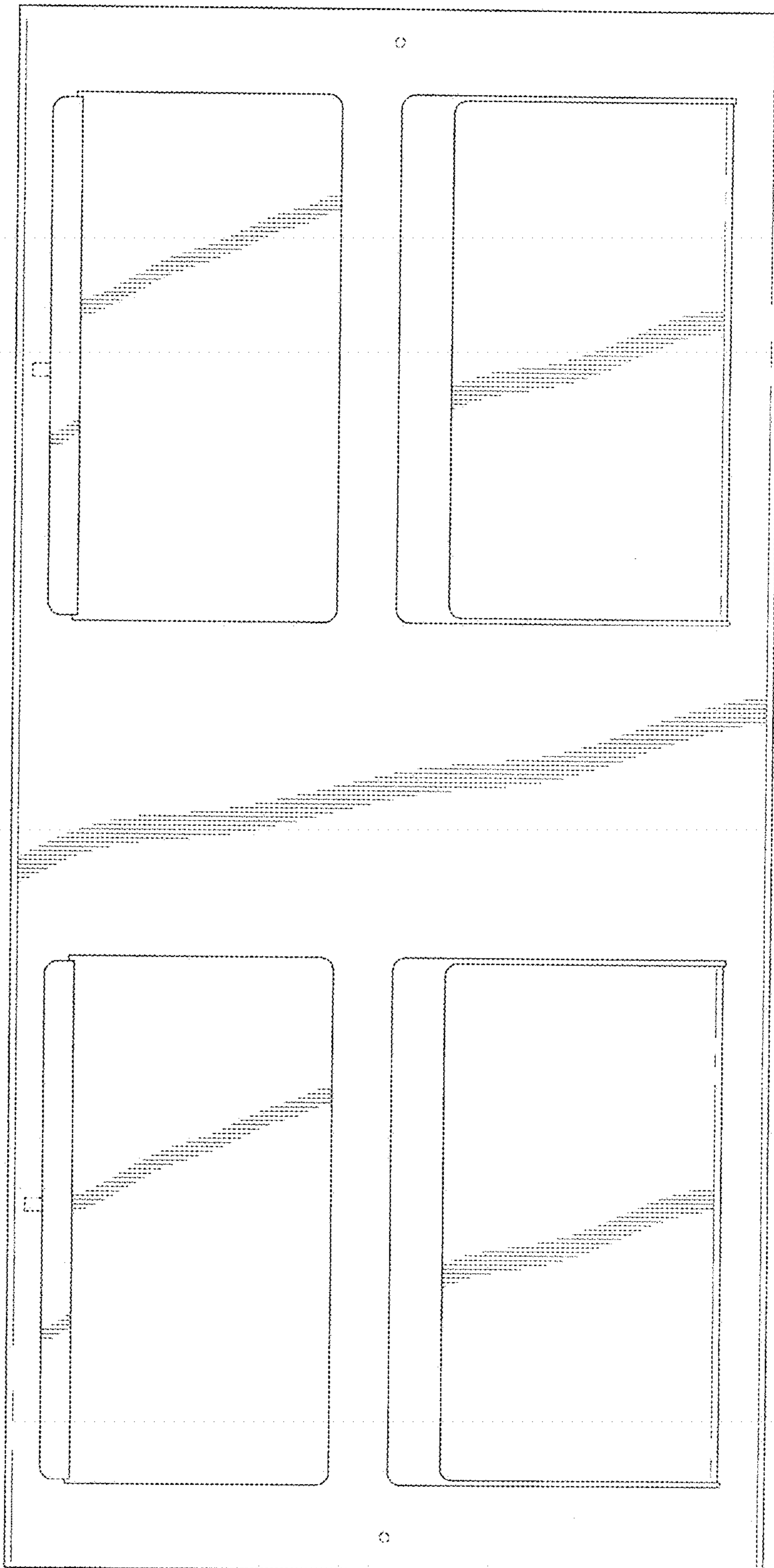


FIG. 3

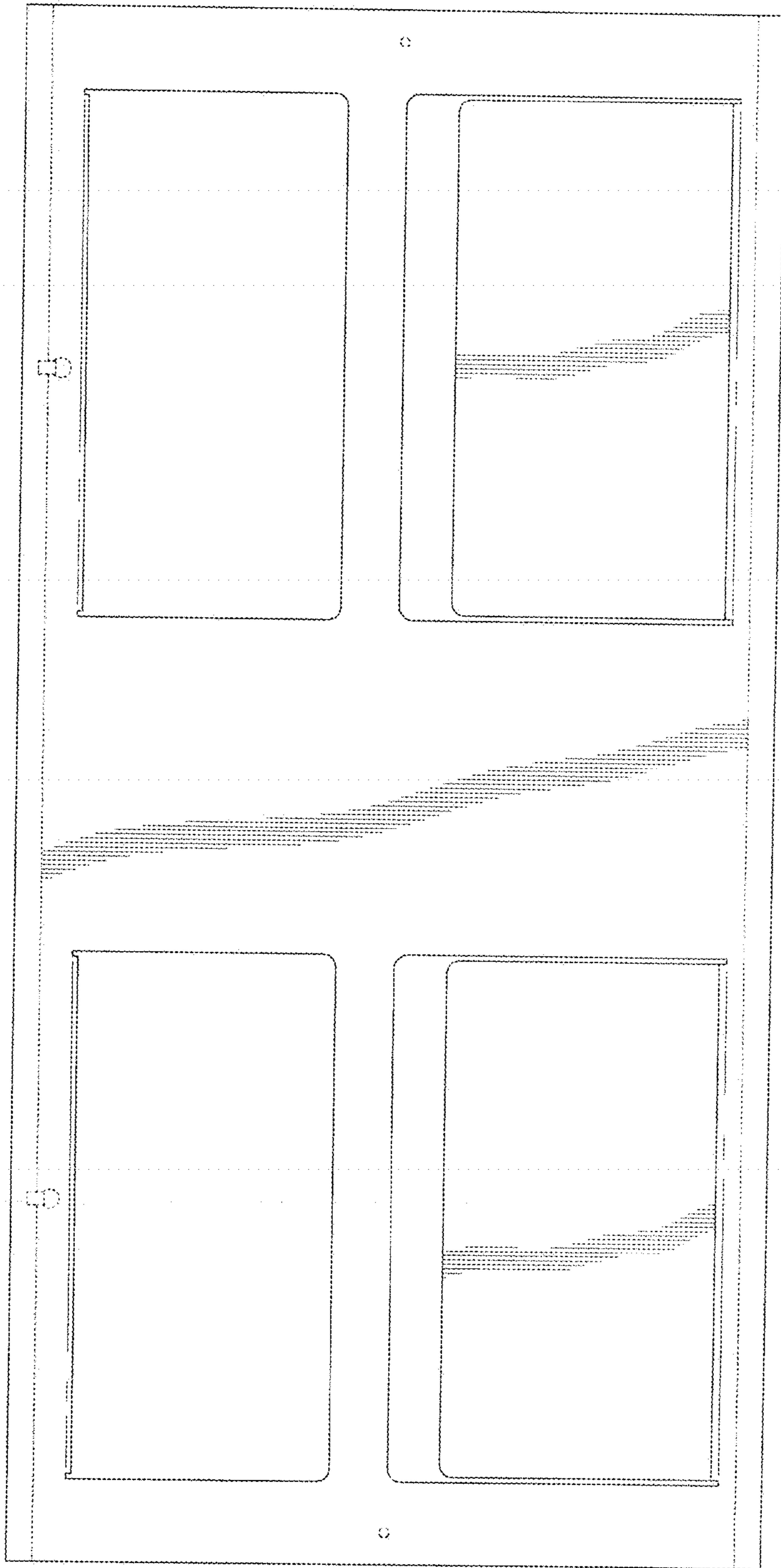


FIG. 4

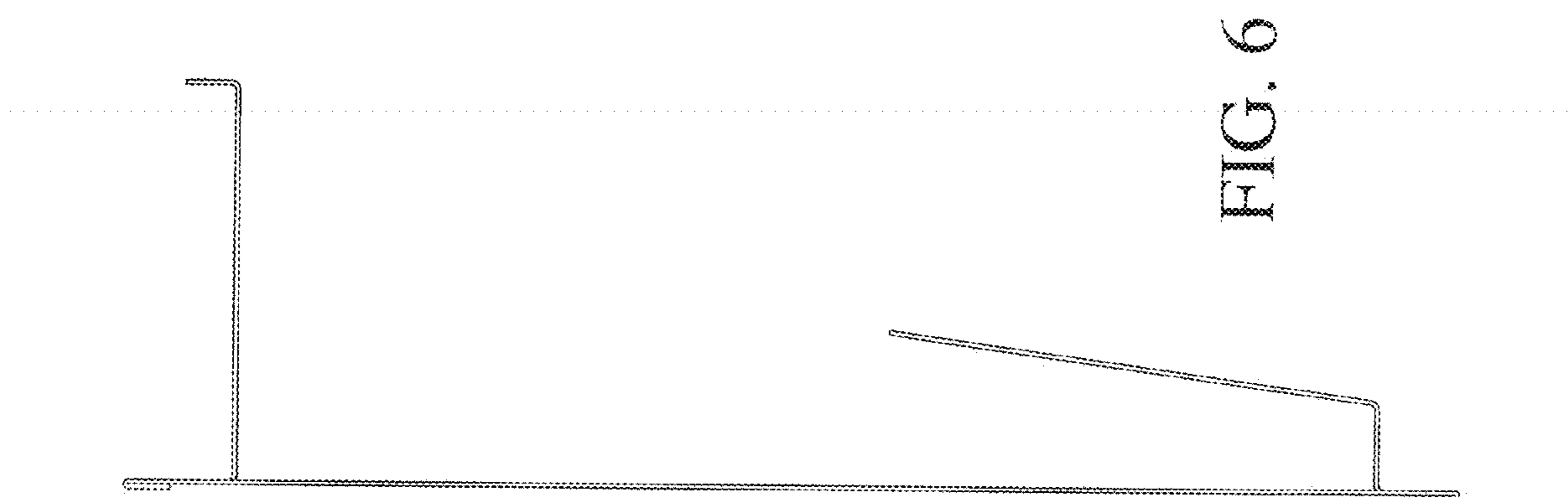


FIG. 6

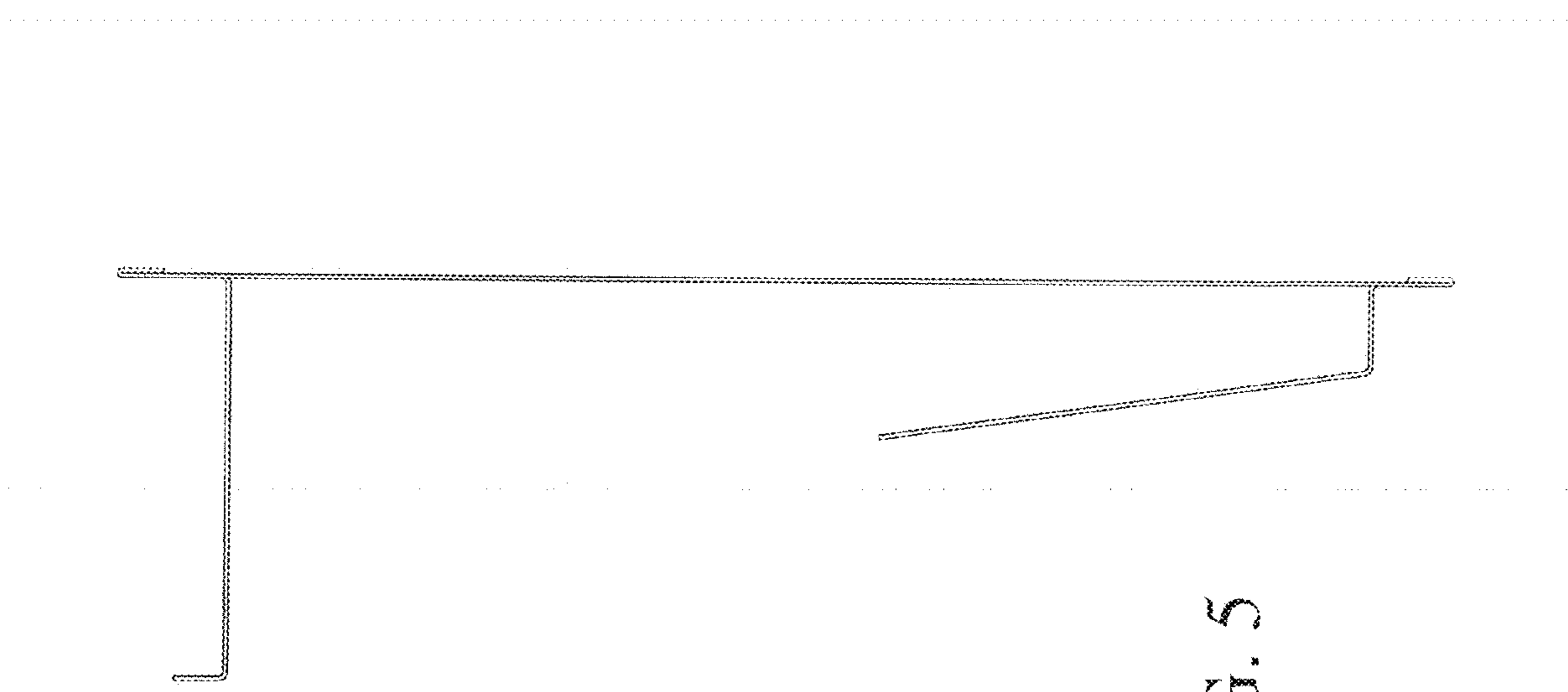


FIG. 5

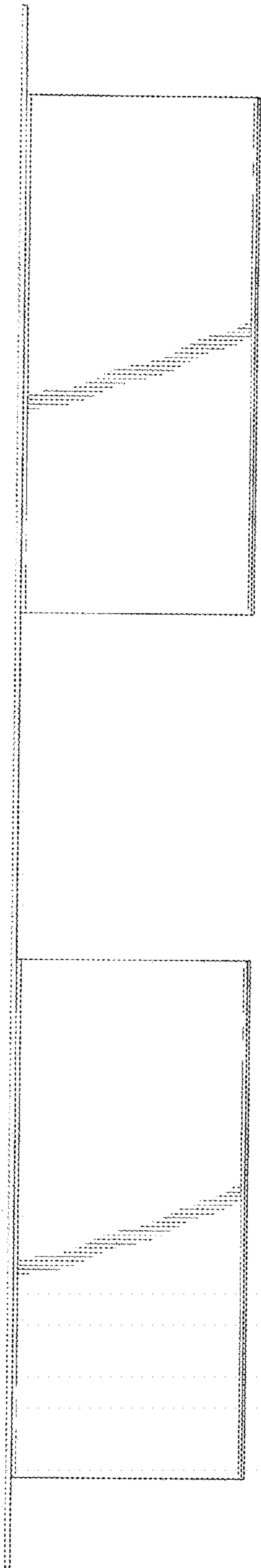


FIG. 7

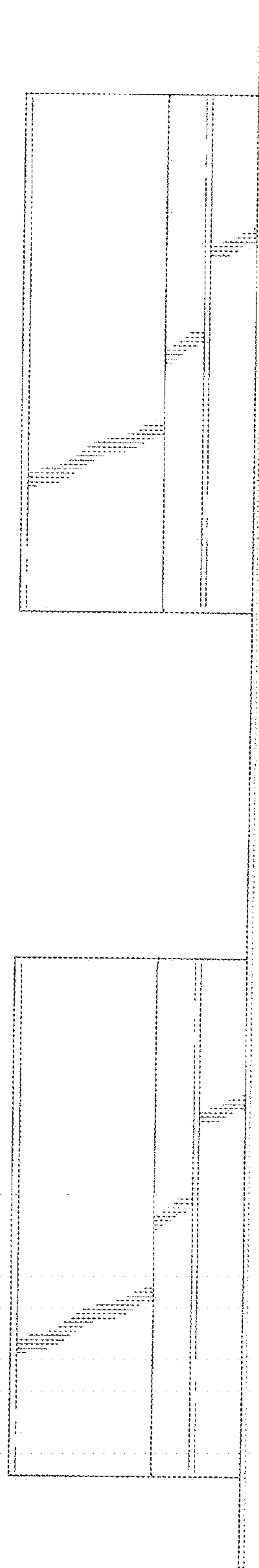


FIG. 8