



US00D678698S

(12) **United States Design Patent**
McLean et al.

(10) **Patent No.:** **US D678,698 S**

(45) **Date of Patent:** **** *Mar. 26, 2013**

(54) **EXTRUSION FOR MODULAR DISPLAY UNIT**

(75) Inventors: **Hamish McLean**, Camperdown (AU);
Liam O'Brien, Erskineville (AU)

(73) Assignee: **Hamlon Pty Ltd** (AU)

(*) Notice: This patent is subject to a terminal disclaimer.

(**) Term: **14 Years**

(21) Appl. No.: **29/392,714**

(22) Filed: **May 25, 2011**

(51) **LOC (9) Cl.** **06-02**

(52) **U.S. Cl.** **D6/509**

(58) **Field of Classification Search** D25/119;
40/658, 666, 426, 549, 761, 1; D20/43, 44,
D20/10; D6/509; 211/85.26, 183

See application file for complete search history.

(56) **References Cited**

U.S. PATENT DOCUMENTS

6,591,997 B2 * 7/2003 Hung 211/183
D563,124 S * 3/2008 Walter D6/509

* cited by examiner

Primary Examiner — Doris Clark

(74) *Attorney, Agent, or Firm* — Daniel Schein, PH.D., Esq., Inc.

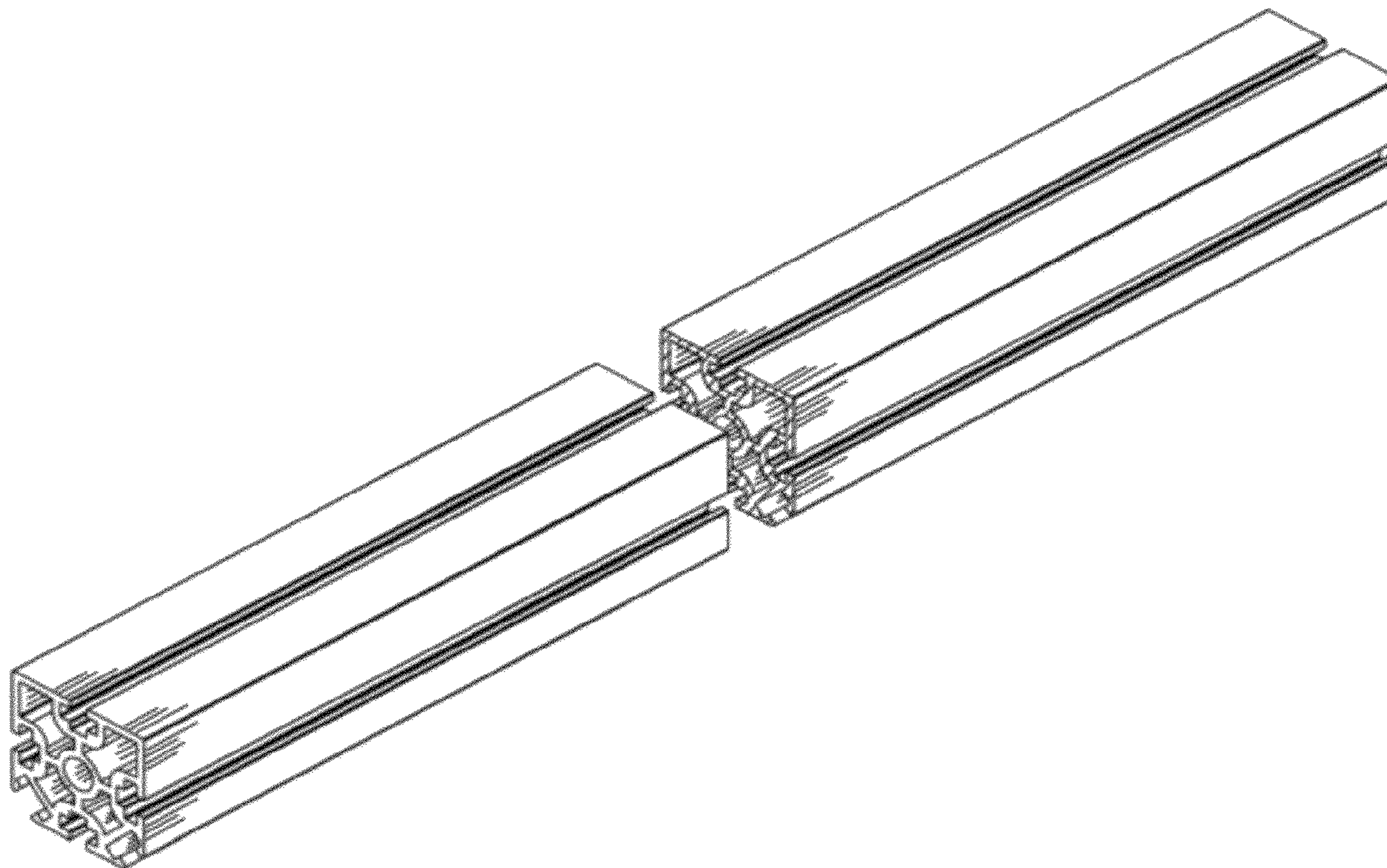
(57) **CLAIM**

The ornamental design for an extrusion for modular display unit, as shown and described.

DESCRIPTION

FIG. 1 is a perspective view of an extrusion for modular display unit, showing our new design, with a middle portion broken away to disclose indefinite length; the opposite end view being a mirror image; and, FIG. 2 is an end view thereof.

1 Claim, 1 Drawing Sheet



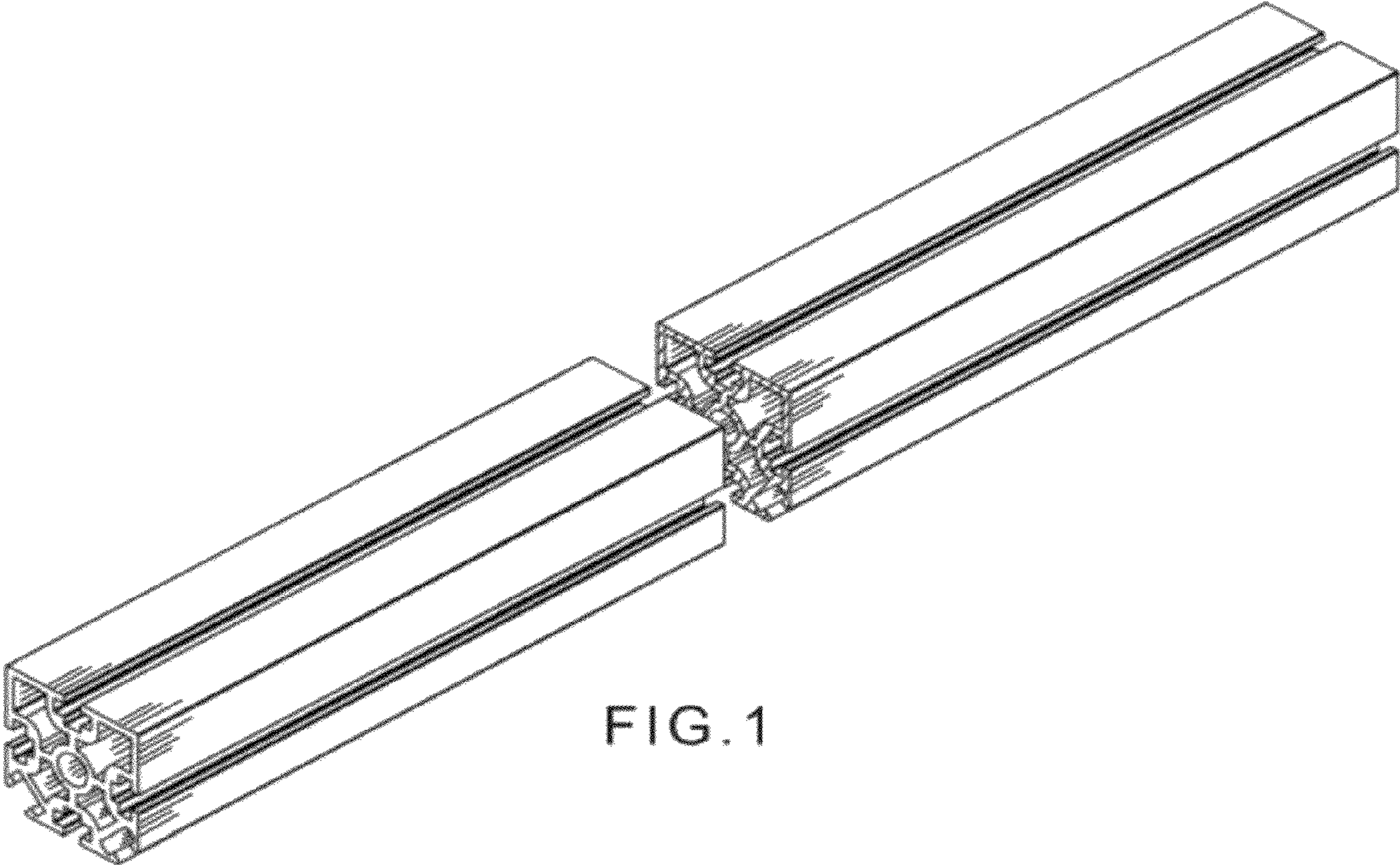


FIG. 1

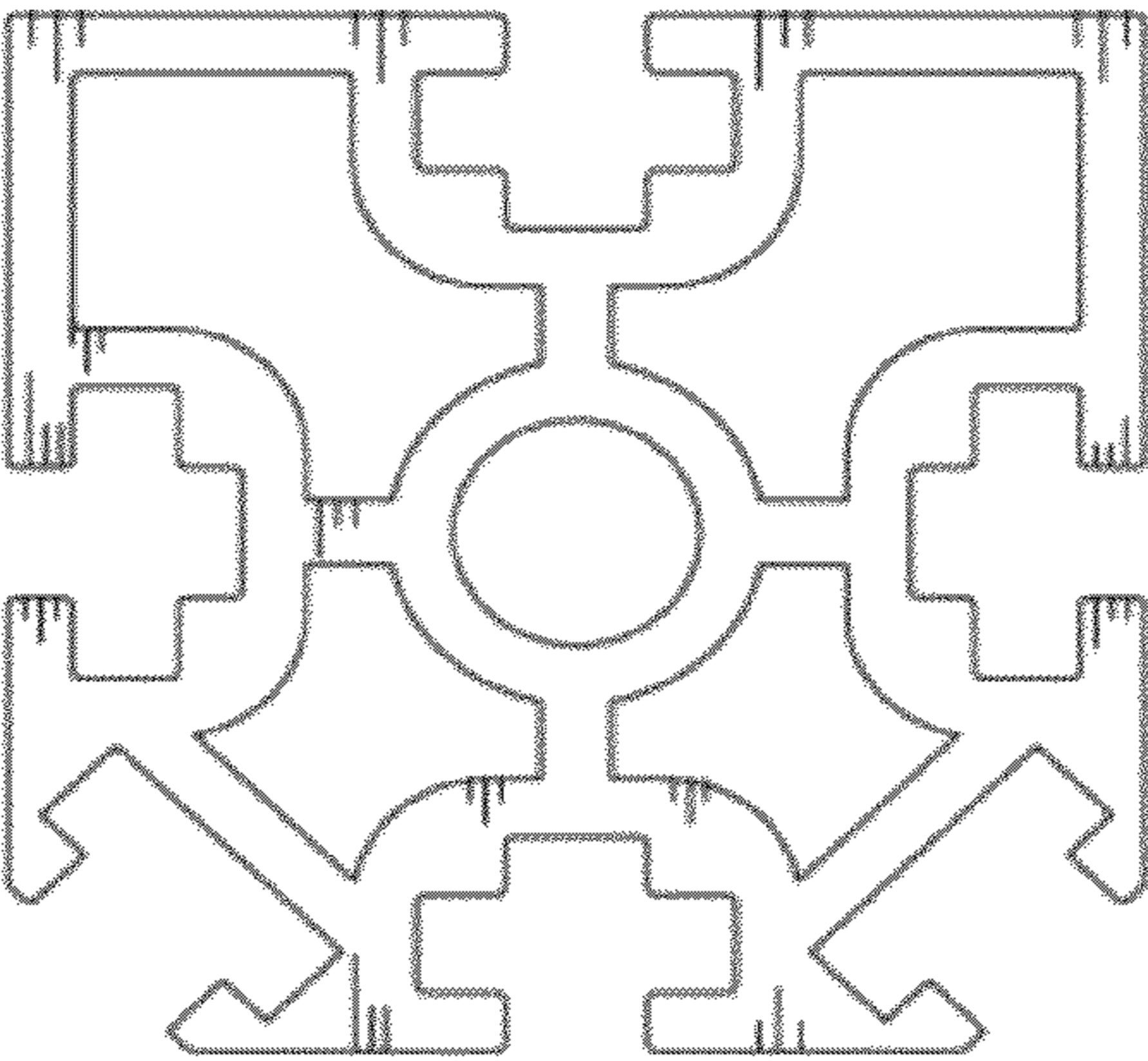


FIG. 2