



US00D678695S

(12) **United States Design Patent**
Thompson et al.

(10) **Patent No.:** **US D678,695 S**
(45) **Date of Patent:** **** Mar. 26, 2013**

(54) **CARD AND CHARM HOLDER**
(71) Applicants: **Delores Thompson**, Quarryville, PA
(US); **Joy May**, Kirkwood, PA (US)
(72) Inventors: **Delores Thompson**, Quarryville, PA
(US); **Joy May**, Kirkwood, PA (US)
(**) Term: **14 Years**
(21) Appl. No.: **29/437,567**

4,718,668 A * 1/1988 Schipske 473/462
5,803,841 A * 9/1998 Daskoski 473/454
D478,938 S * 8/2003 Vande Hey et al. D21/302
D495,524 S * 9/2004 Harwanko D6/410
D570,133 S * 6/2008 Goodman et al. D6/462
D570,417 S * 6/2008 Poe et al. D21/302
D587,020 S * 2/2009 Goodman et al. D6/313
D591,078 S * 4/2009 Singler et al. D6/432
7,730,653 B2 * 6/2010 Zazworsky, Jr. 40/607.05
D626,181 S * 10/2010 Lima D21/302
D657,200 S * 4/2012 Chen D7/600.1
D658,952 S * 5/2012 Sikina D8/1
D668,889 S * 10/2012 Theisen D6/462

(22) Filed: **Nov. 19, 2012**
(51) **LOC (9) Cl.** **06-06**
(52) **U.S. Cl.** **D6/462**
(58) **Field of Classification Search** D6/332,
D6/396-397, 449-450, 462-467; 211/1,
211/44-45, 49.1, 50, 85.2, 106, 106.1, 119;
108/29-30

* cited by examiner

Primary Examiner — Kelley Donnelly
(74) *Attorney, Agent, or Firm* — LaMorte & Associates, P.C.

See application file for complete search history.

(57) **CLAIM**
The ornamental design for a card and charm holder, as shown
and described.

(56) **References Cited**

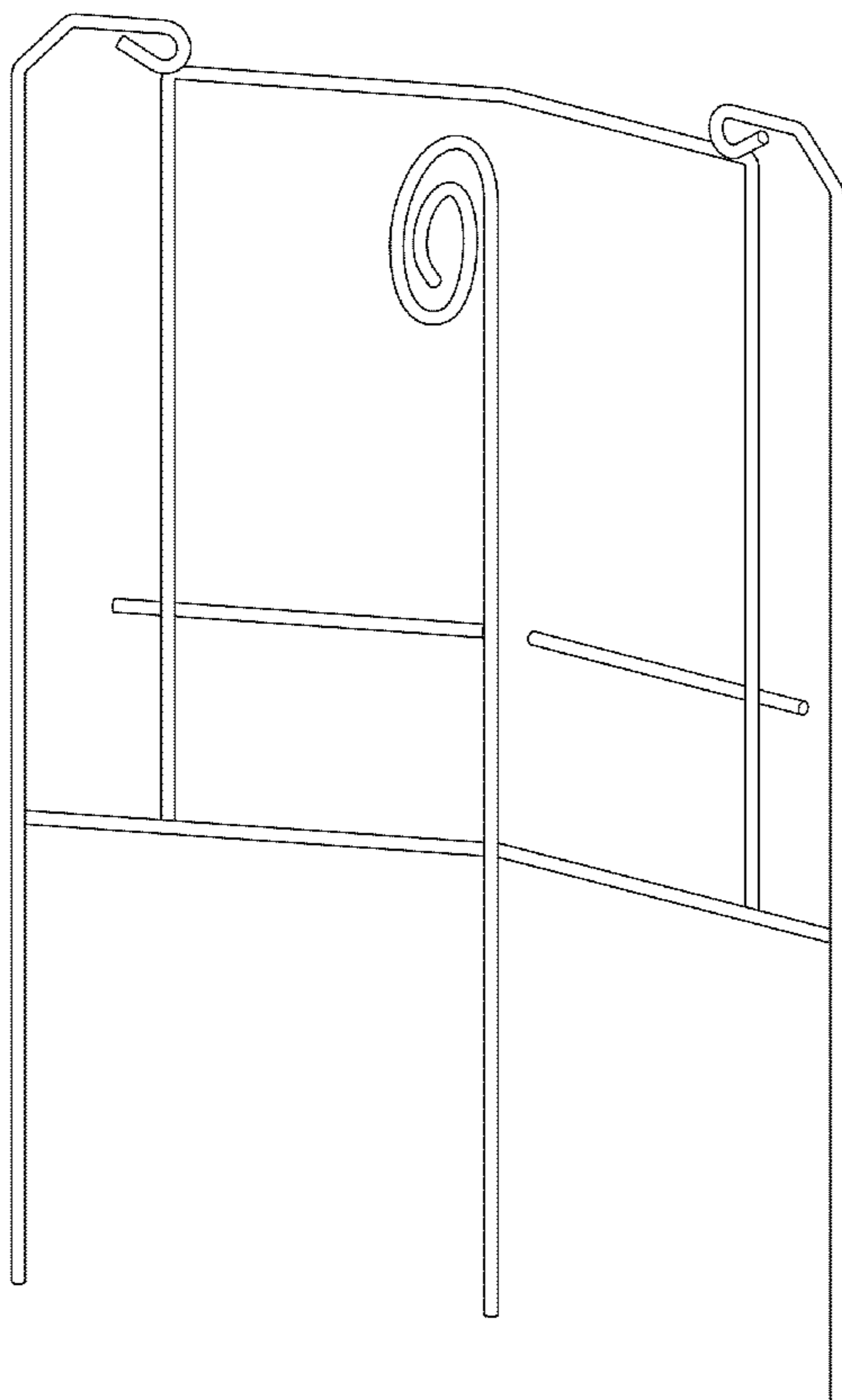
DESCRIPTION

U.S. PATENT DOCUMENTS

D152,688 S * 2/1949 Hammond D6/411
D170,098 S * 7/1953 Swanson D6/468
2,682,956 A * 7/1954 Pike 211/85.15
3,532,224 A * 10/1970 Grubb et al. 211/206
4,175,602 A * 11/1979 Cavalaris et al. 141/390
4,487,419 A * 12/1984 Welbourn 273/343
D278,354 S * 4/1985 Mahowald D19/91

FIG. 1 is a perspective view of a card and charm holder;
FIG. 2 is a front view thereof;
FIG. 3 is a back view thereof;
FIG. 4 is a left side view thereof;
FIG. 5 is a right side view thereof;
FIG. 6 is a top view thereof; and,
FIG. 7 is a bottom view thereof.

1 Claim, 5 Drawing Sheets



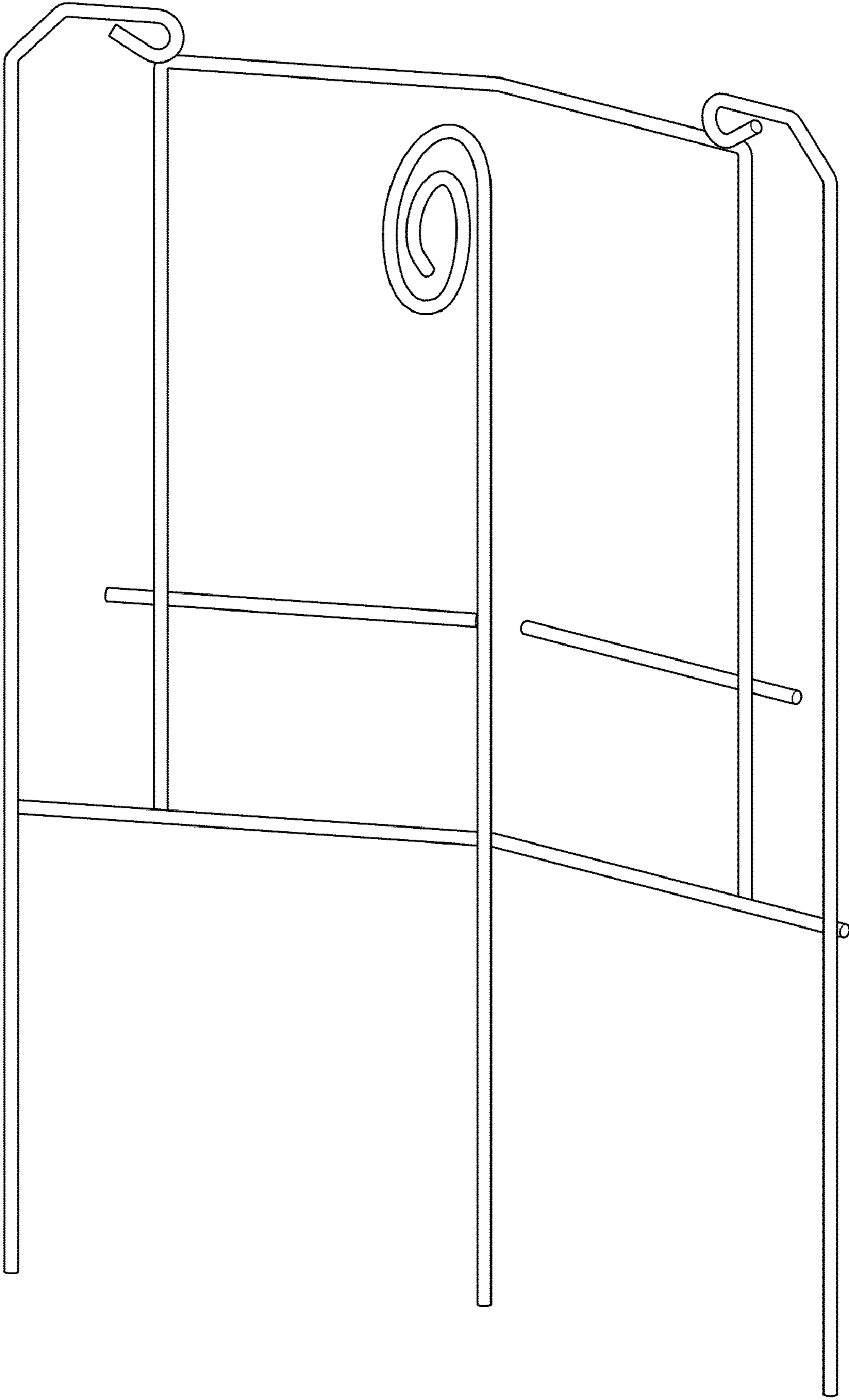


FIG. 1

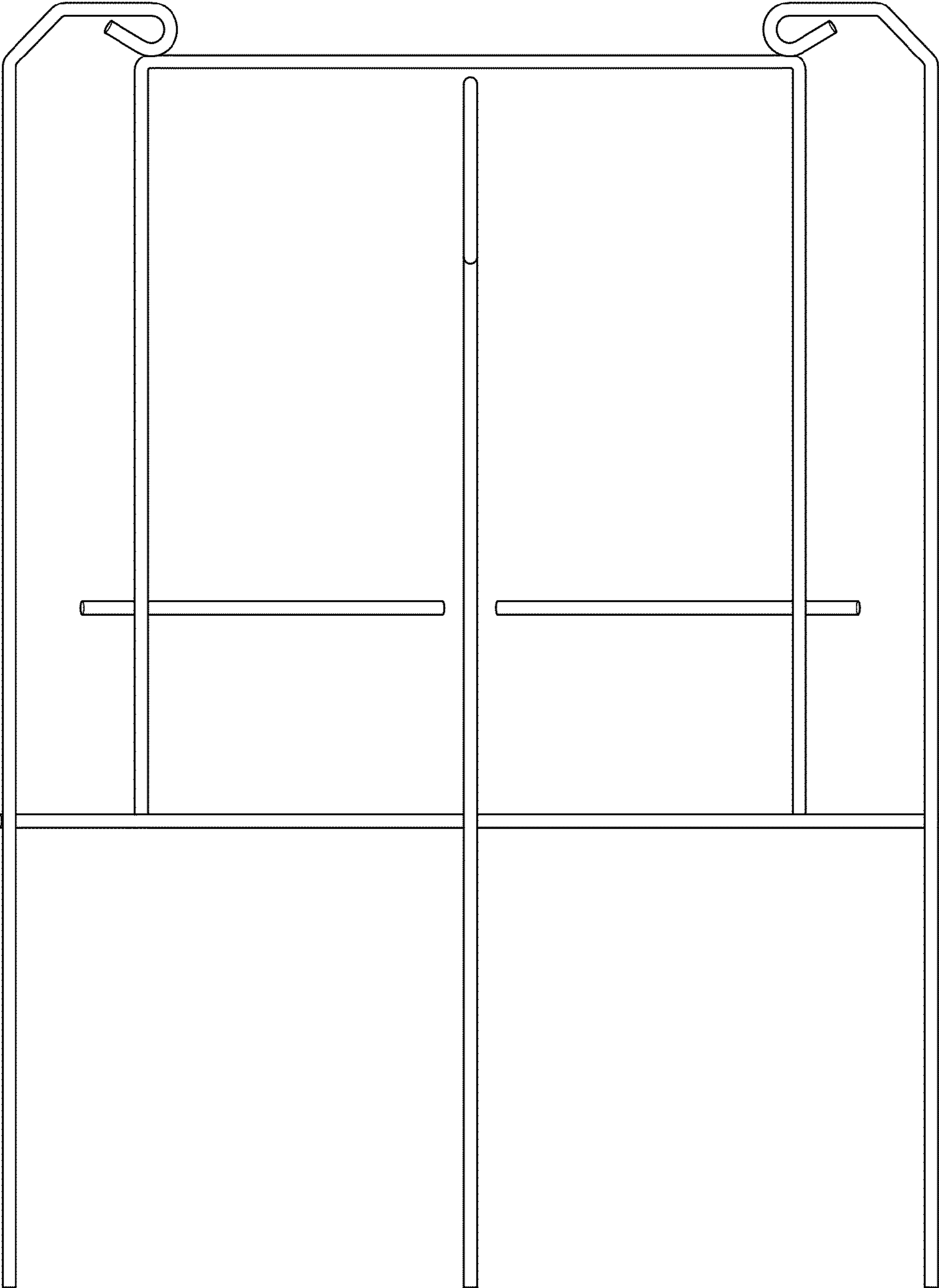


FIG. 2

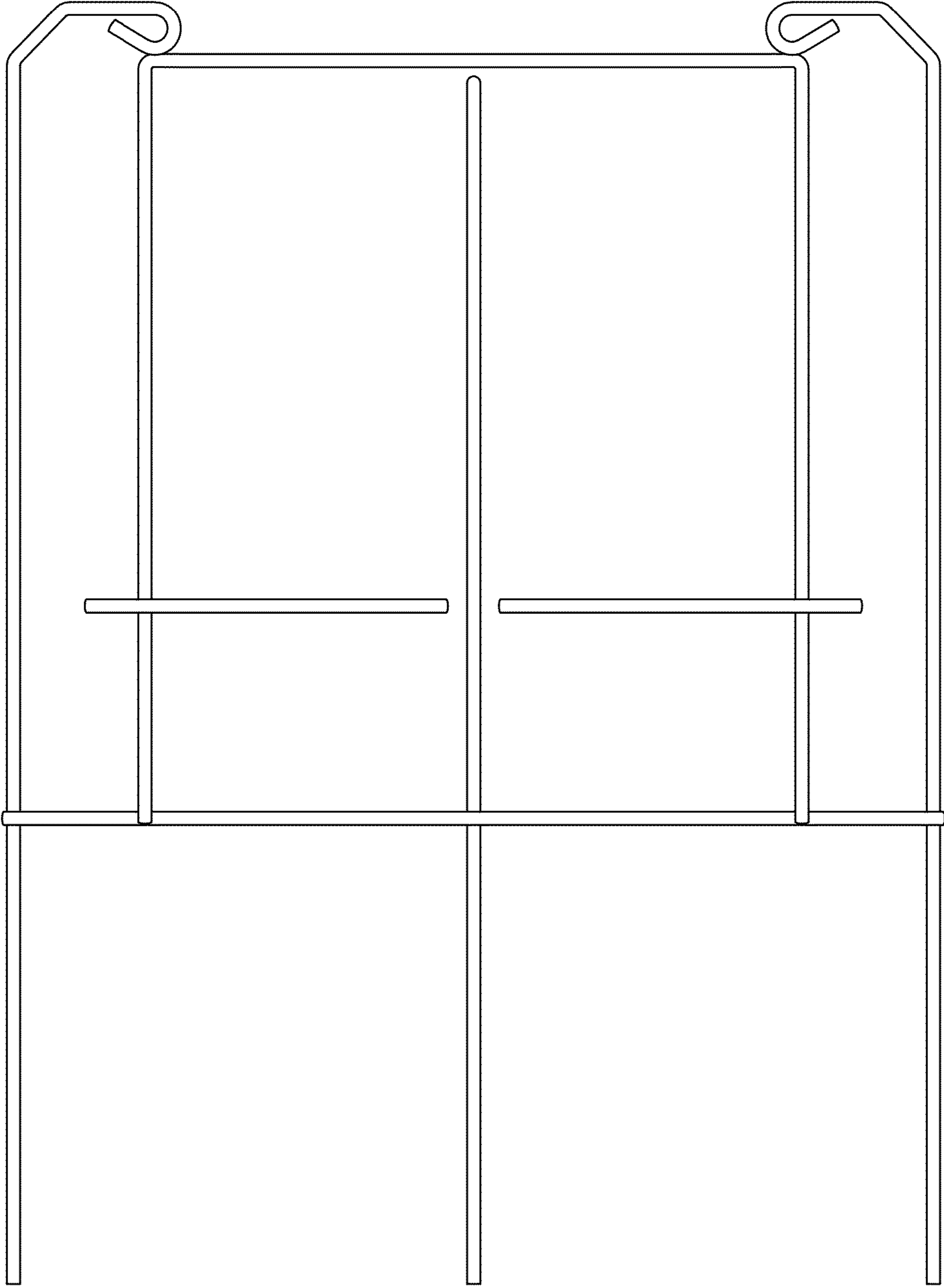


FIG. 3

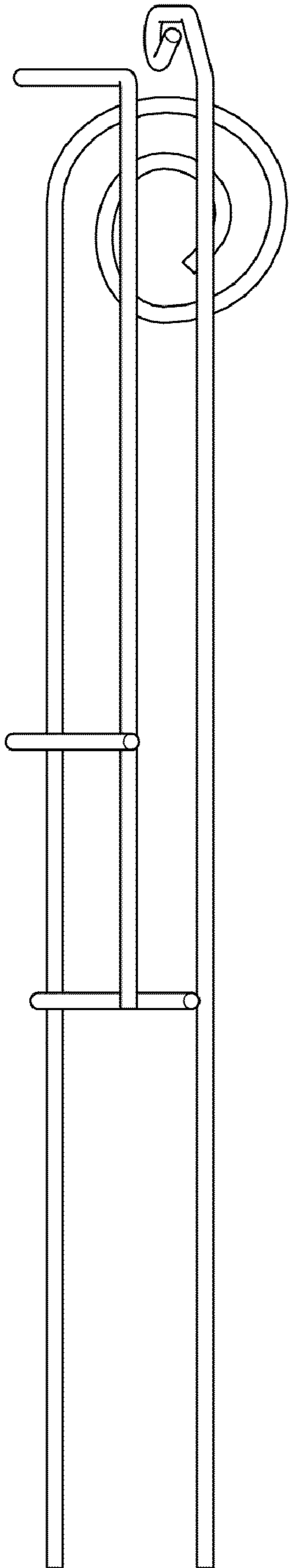


FIG. 4

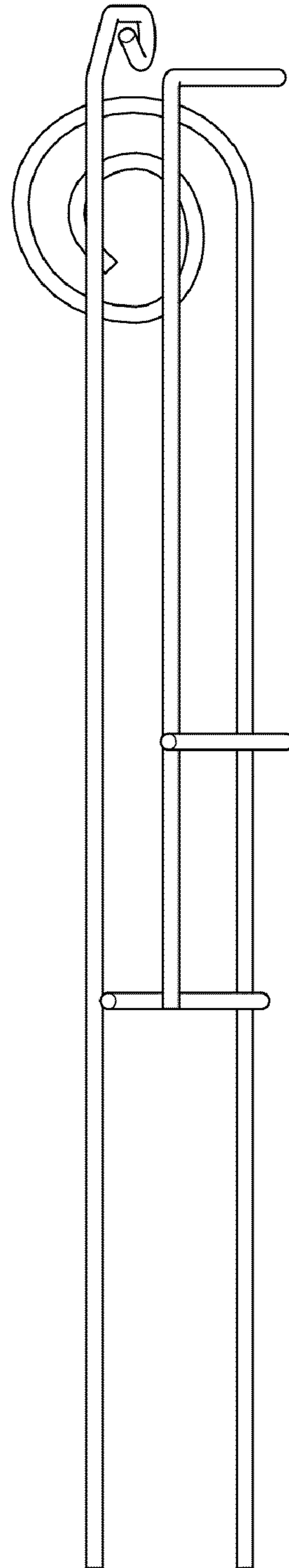


FIG. 5

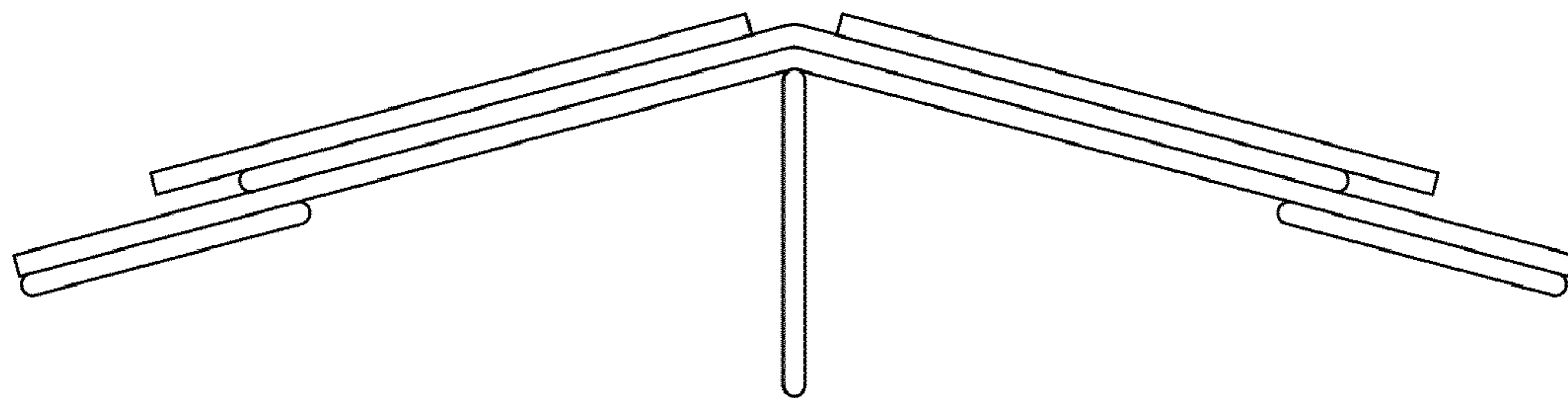


FIG. 6

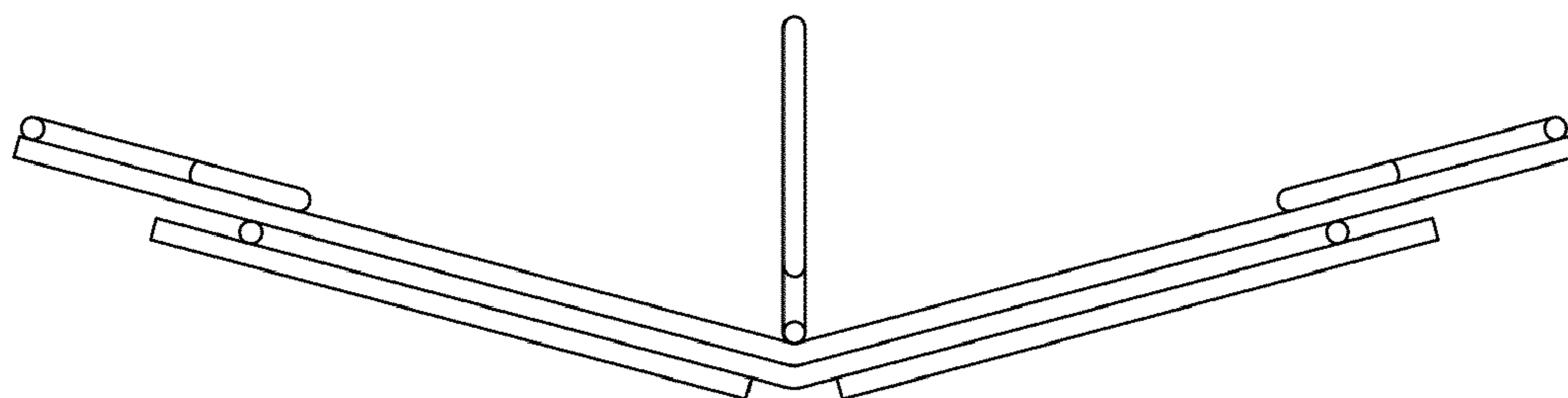


FIG. 7