



US00D678694S

(12) **United States Design Patent**  
**Grela**

(10) **Patent No.:** **US D678,694 S**

(45) **Date of Patent:** **\*\* \*Mar. 26, 2013**

(54) **TOOL BOX**

(76) Inventor: **Larry Mitchell Grela**, Plainfield, IL  
(US)

(\* ) Notice: This patent is subject to a terminal disclaimer.

(\*\*) Term: **14 Years**

(21) Appl. No.: **29/373,917**

(22) Filed: **Jun. 8, 2011**

(51) **LOC (9) Cl.** ..... **06-04**

(52) **U.S. Cl.** ..... **D6/396**

(58) **Field of Classification Search** ..... D6/396,  
D6/335, 397, 400, 432-448, 491, 509-510;  
D8/313; D32/25; D34/12; 312/249.12,  
312/257.1, 280-282, 308, 332.1, 351, 902,  
312/125

See application file for complete search history.

(56) **References Cited**

U.S. PATENT DOCUMENTS

425,215 A	4/1890	Franklin
652,778 A	7/1900	James
898,106 A	9/1908	Higgins
1,113,832 A	8/1914	Roth
1,414,826 A	5/1922	Meyerson
1,514,885 A	3/1924	Bigler
1,510,240 A	9/1924	Carrier
1,984,345 A	12/1934	Kennedy
1,987,822 A	1/1935	Gregory
2,286,427 A	6/1942	Levensten
2,525,208 A	9/1946	Clink
2,880,918 A	4/1959	Schweikhard
2,996,192 A	12/1959	Dell et al.
2,995,256 A	8/1961	Schoenfisch
3,092,428 A	6/1963	Kerschner
3,259,230 A	7/1966	Jaeger
3,520,583 A	7/1970	Caso
3,558,205 A	1/1971	Mueller
3,848,942 A	11/1974	Fanini

3,954,202 A	5/1976	Petrick
4,058,210 A	11/1977	Mitchell
4,108,514 A	8/1978	Zimmerman
4,211,455 A	7/1980	Tedrow
4,266,835 A	5/1981	Schmidt
4,303,158 A	12/1981	Perkins
4,614,384 A	9/1986	Takano et al.
4,733,703 A	3/1988	Cimino
4,821,143 A	4/1989	Holmgren et al.
5,927,838 A	7/1999	Hellman
5,951,129 A	9/1999	Stein
D423,818 S *	5/2000	Holcomb et al. .... D6/445
D427,807 S *	7/2000	Holcomb et al. .... D6/445

(Continued)

FOREIGN PATENT DOCUMENTS

WO WO 93/01987 2/2003

OTHER PUBLICATIONS

U.S. Appl. No. 29/314,644, Grela.

(Continued)

*Primary Examiner* — Philip S Hyder

*Assistant Examiner* — Sydney Buffalow

(74) *Attorney, Agent, or Firm* — John G. Chupa

(57) **CLAIM**

The ornamental design for a tool box, as shown and described.

**DESCRIPTION**

FIG. 1 is a perspective view of a tool box made in accordance with the teachings of the preferred embodiment of the invention;

FIG. 2 is a front view thereof;

FIG. 3 is a left side view thereof;

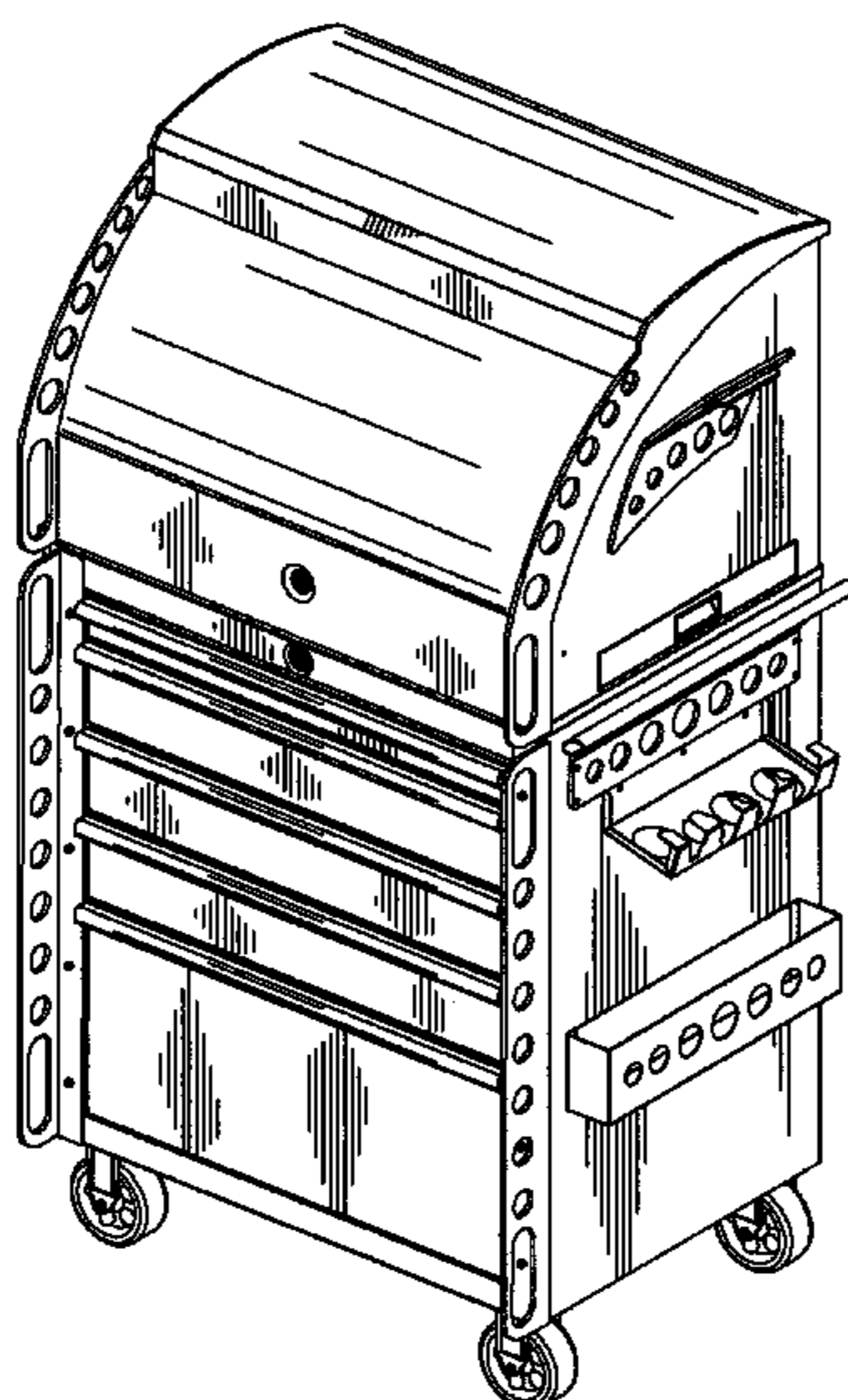
FIG. 4 is a back view thereof;

FIG. 5 is a right side view thereof;

FIG. 6 is top view thereof; and,

FIG. 7 is a bottom view thereof.

**1 Claim, 7 Drawing Sheets**



# US D678,694 S

Page 2

---

## U.S. PATENT DOCUMENTS

6,422,386 B1 7/2002 Weise et al.  
D477,724 S \* 7/2003 Bishop ..... D6/434  
7,296,808 B2 11/2007 Huguet  
D563,120 S \* 3/2008 Malley et al. .... D6/445  
7,510,078 B2 3/2009 Schmidt et al.  
D605,435 S \* 12/2009 Malley et al. .... D6/510  
D605,437 S \* 12/2009 Hand ..... D6/510  
D607,663 S \* 1/2010 Hand ..... D6/396  
D609,029 S \* 2/2010 Hand ..... D6/435  
D610,830 S \* 3/2010 Hand ..... D6/400  
7,784,887 B2 8/2010 Grela et al.  
D642,404 S \* 8/2011 Koehn ..... D6/443

D649,377 S 11/2011 Grela et al.  
8,056,995 B2 11/2011 Grela et al.  
2005/0204646 A1 9/2005 Tupper et al.

## OTHER PUBLICATIONS

U.S. Appl. No. 11/975,114, Grela.  
International Search Report for PCT Application Number: PCT/  
US2010/001732, Aug. 19, 2010.  
Matco Tools Catalog at least as early as Feb. 6, 2009.  
United States Trademark Registration No. 3,930,484.  
Matco Tools Catalog at least as early as Jan. 1, 1996.

\* cited by examiner

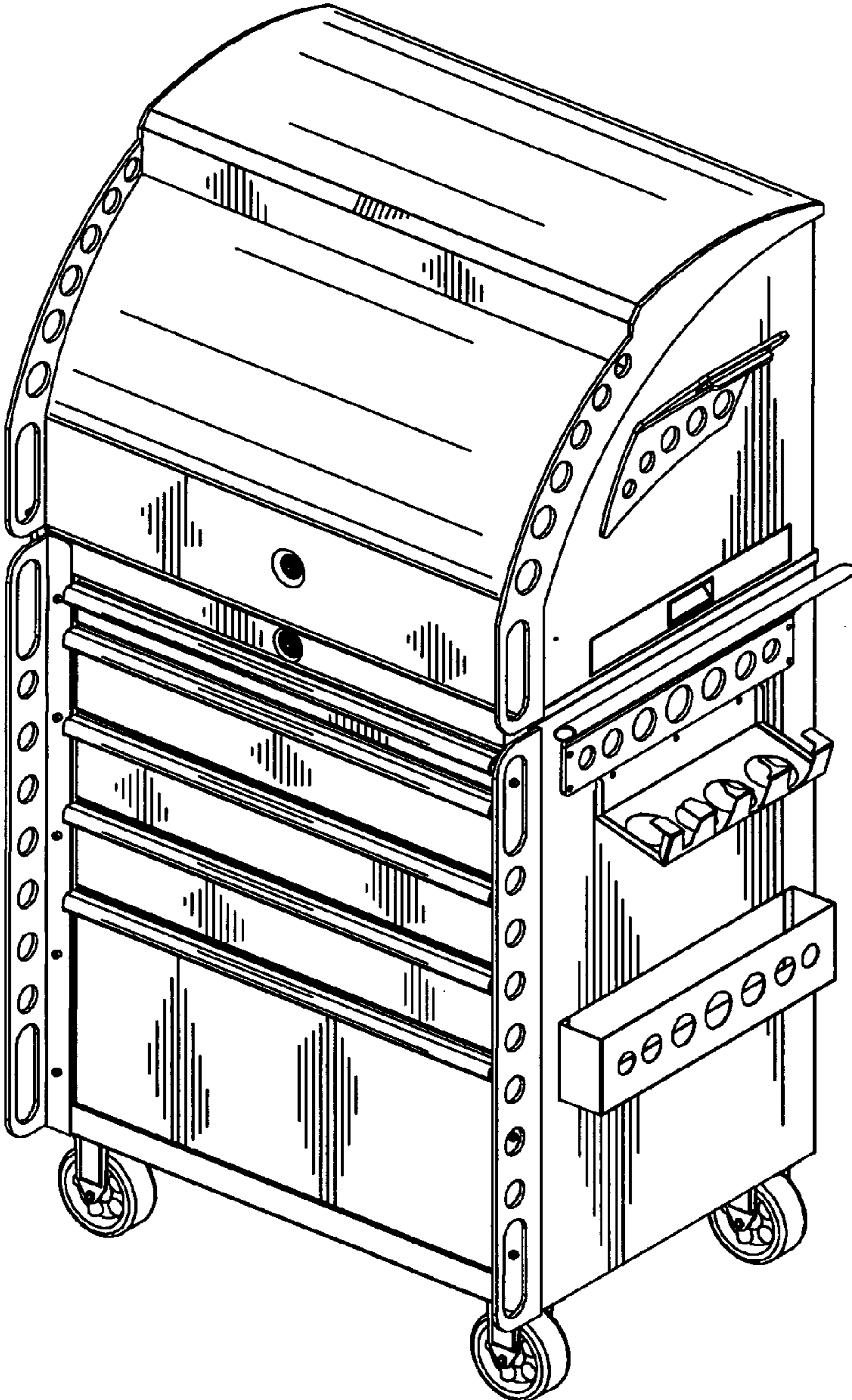


FIG 1

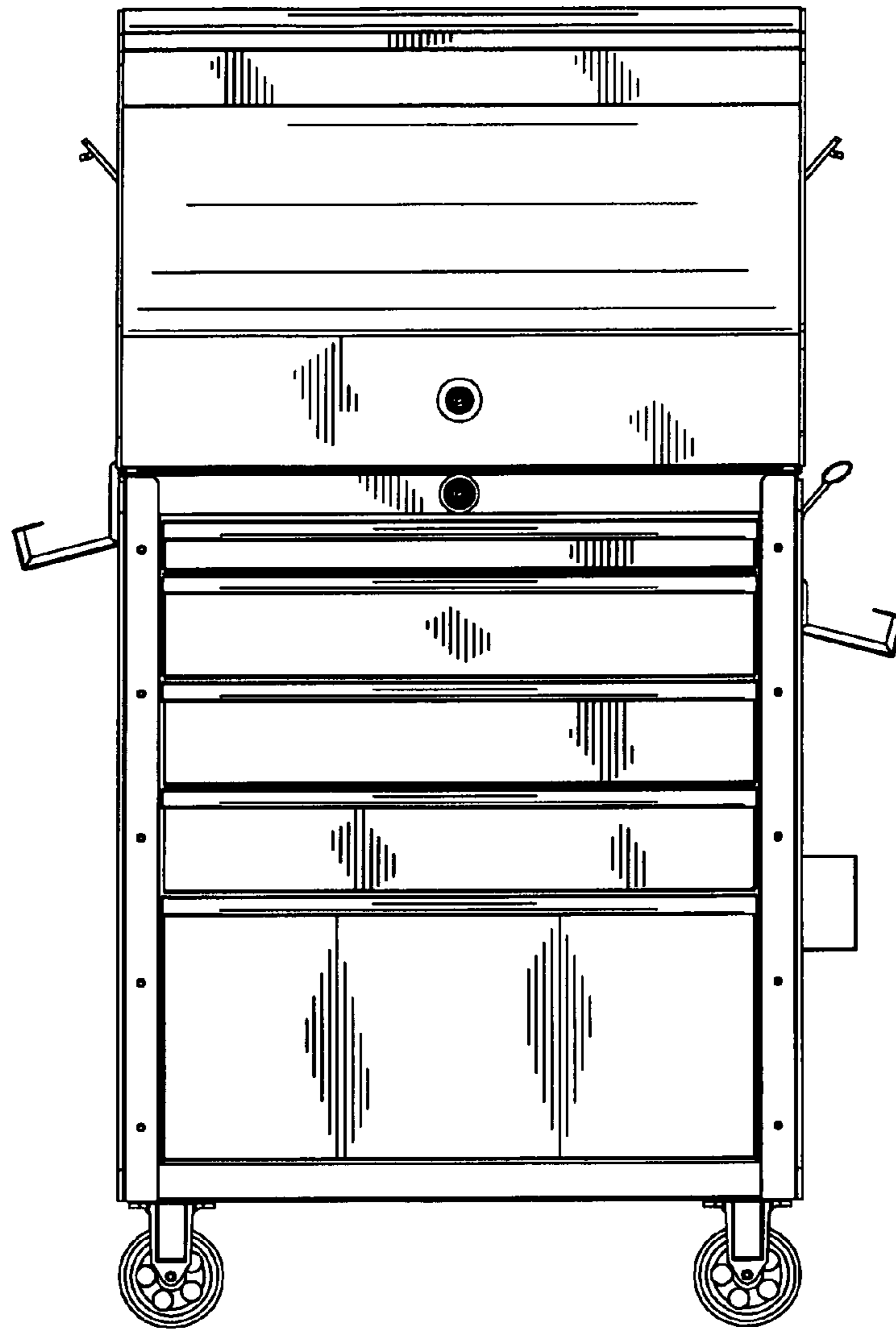


FIG 2

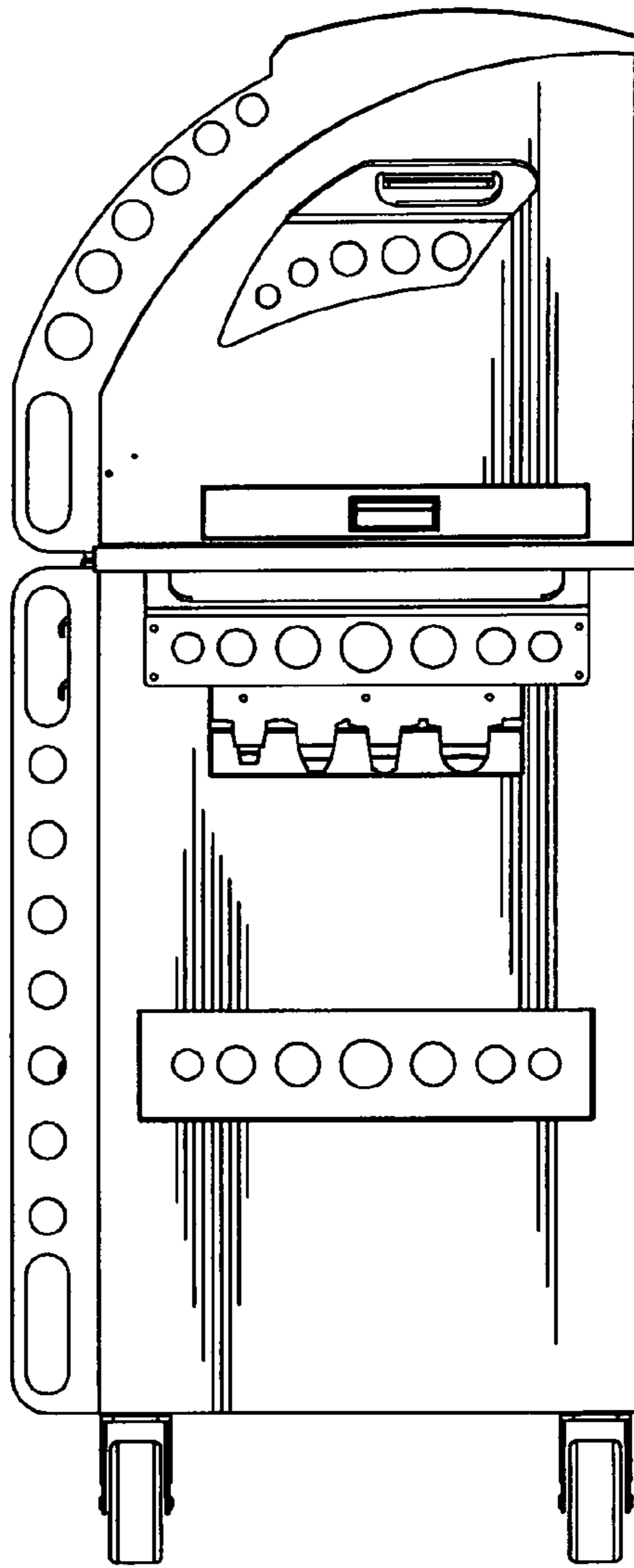


FIG 3



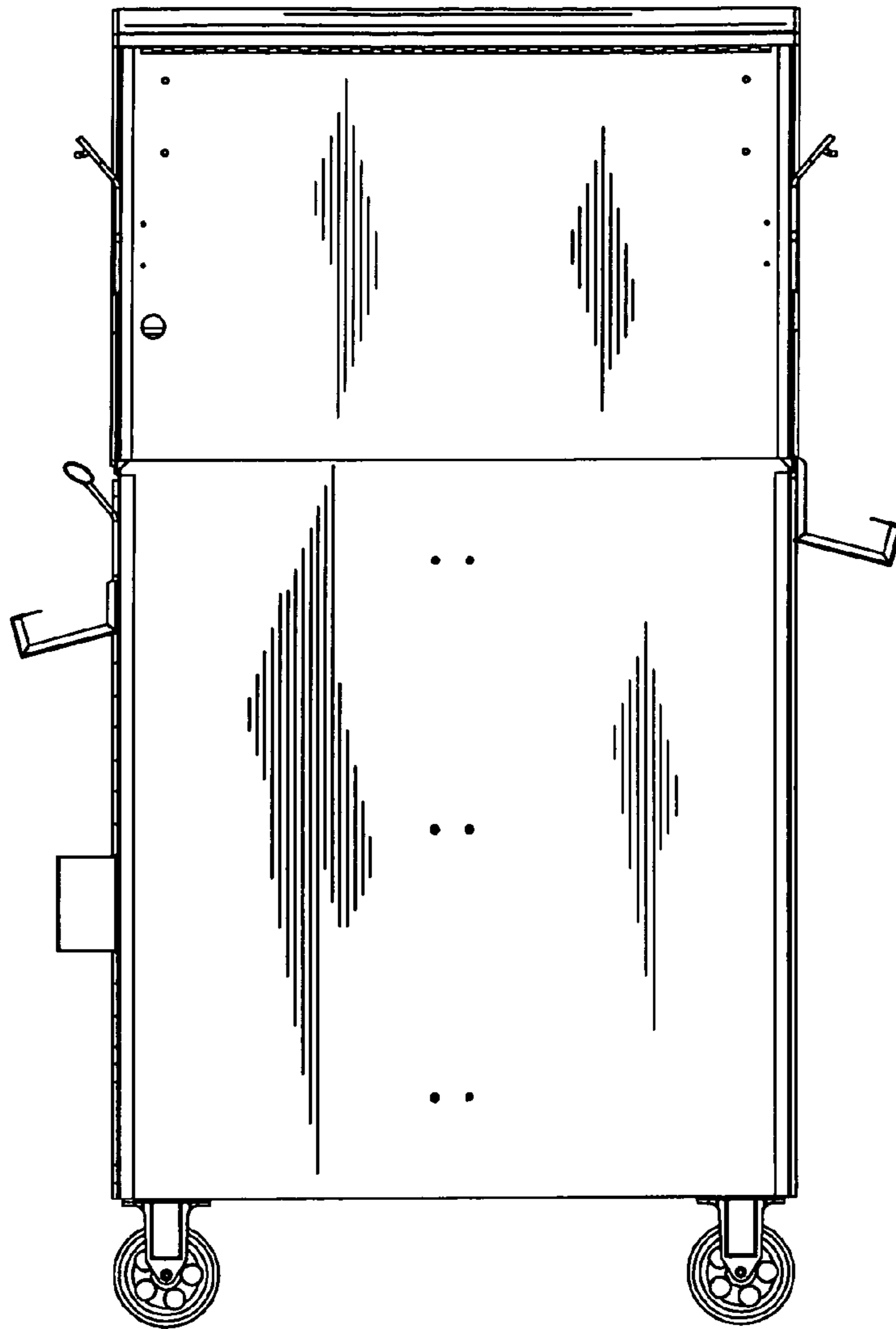


FIG 4

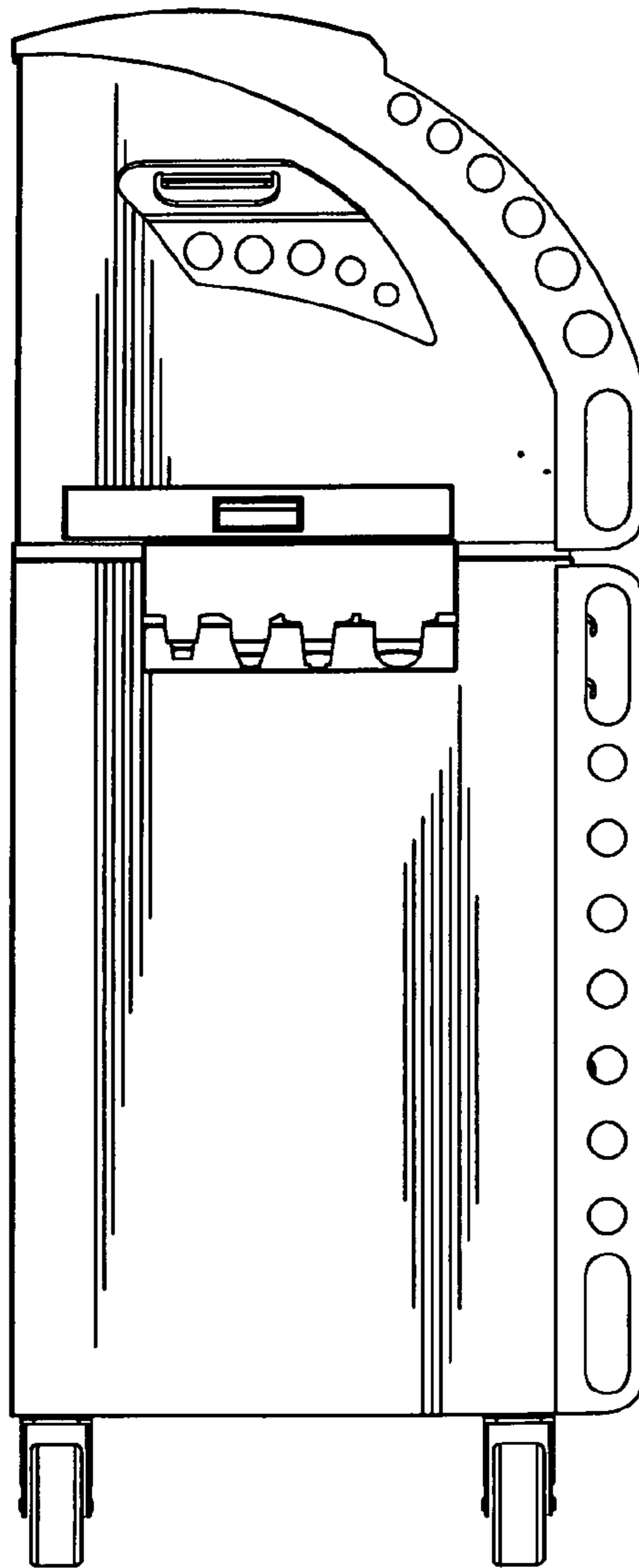


FIG 5

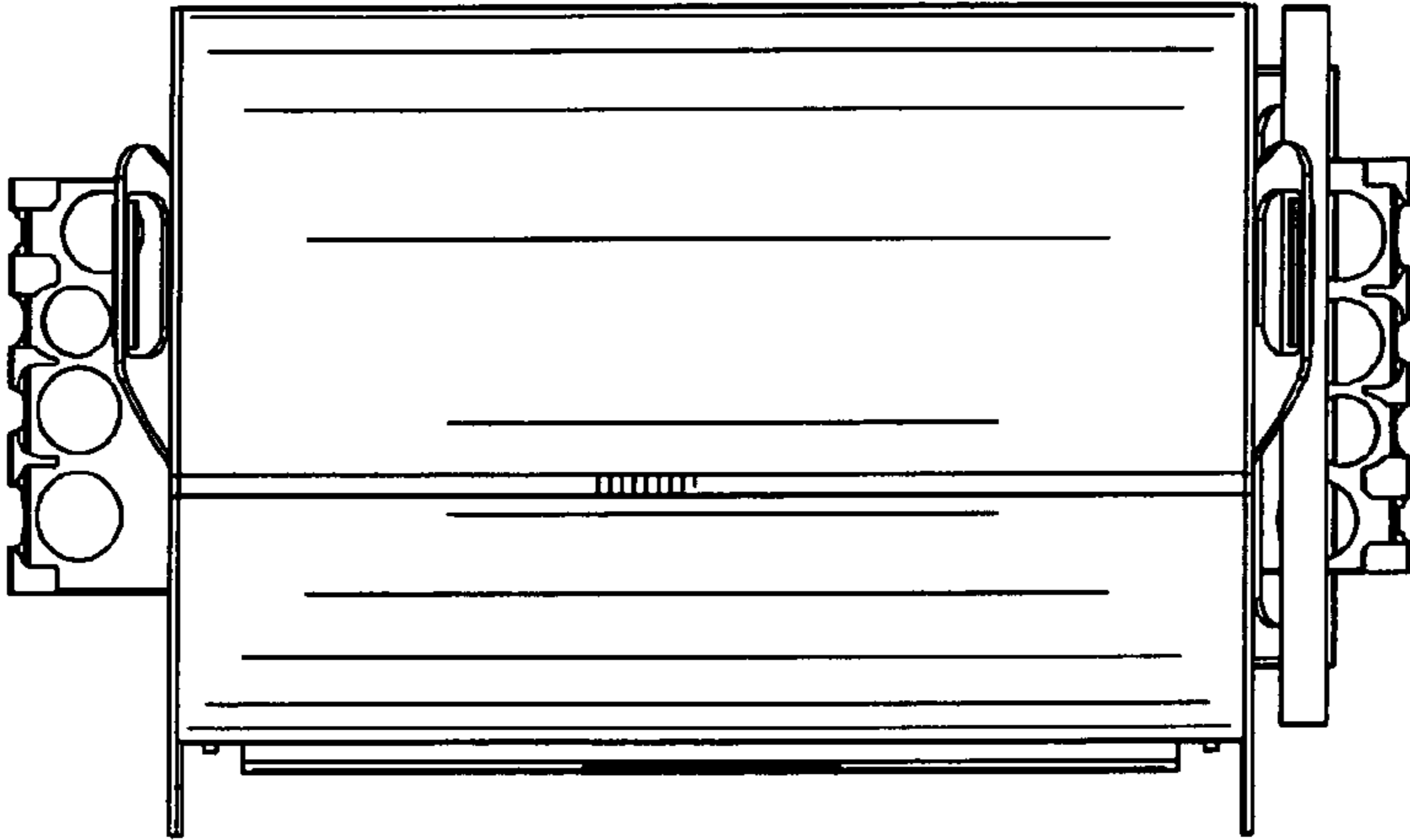
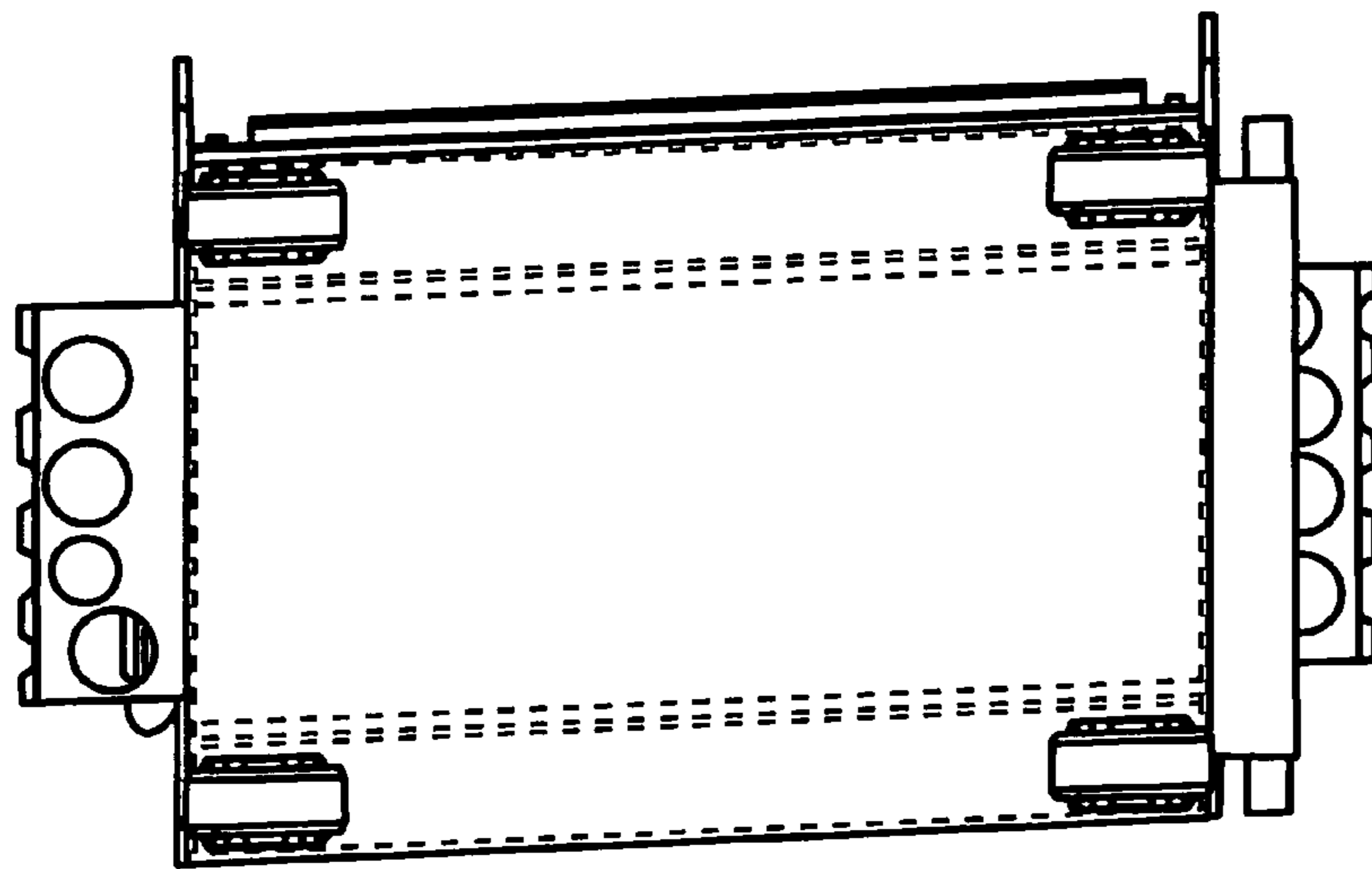


FIG 6





—FIG. 7