



US00D678693S

(12) **United States Design Patent**
Bergkvist et al.

(10) **Patent No.:** **US D678,693 S**
(45) **Date of Patent:** **** Mar. 26, 2013**

(54) **CRADLE**

(75) Inventors: **Håkan Bergkvist**, Bromma (SE); **Lisen Elmberg**, Stockholm (SE)

(73) Assignee: **BabyBjörn AB**, Solna (SE)

(**) Term: **14 Years**

(21) Appl. No.: **29/419,975**

(22) Filed: **May 3, 2012**

(30) **Foreign Application Priority Data**

Dec. 16, 2011 (EM) 001963935

(51) **LOC (9) Cl.** **06-02**

(52) **U.S. Cl.** **D6/390**

(58) **Field of Classification Search** D6/382-384,
D6/390-395, 505-508, 397, 331; 5/53.1,
5/279.1, 280, 281, 907, 2.1, 8, 9.1, 93.1,
5/98.1, 101

See application file for complete search history.

(56) **References Cited**

U.S. PATENT DOCUMENTS

1,897,258	A *	2/1933	Jenne	5/93.1
2,873,458	A *	2/1959	Adamson	5/98.1
D320,316	S *	10/1991	Arnold	D6/390
D526,133	S *	8/2006	Song	D6/331
D605,870	S *	12/2009	Bergkvist et al.	D6/390
2011/0308011	A1 *	12/2011	Cheng et al.	5/93.1

* cited by examiner

Primary Examiner — Janice Seeger

(74) *Attorney, Agent, or Firm* — Jacobson Holman PLLC

(57) **CLAIM**

The ornamental design for a cradle, as shown and described.

DESCRIPTION

FIG. 1 is a bottom perspective view showing our new design for a cradle,
FIG. 2 is a top perspective view thereof,
FIG. 3 is a front view thereof,
FIG. 4 is a rear view thereof,
FIG. 5 is a left side view thereof, the right side being a mirror image,
FIG. 6 is a top view thereof; and,
FIG. 7 is a bottom view thereof.

1 Claim, 7 Drawing Sheets

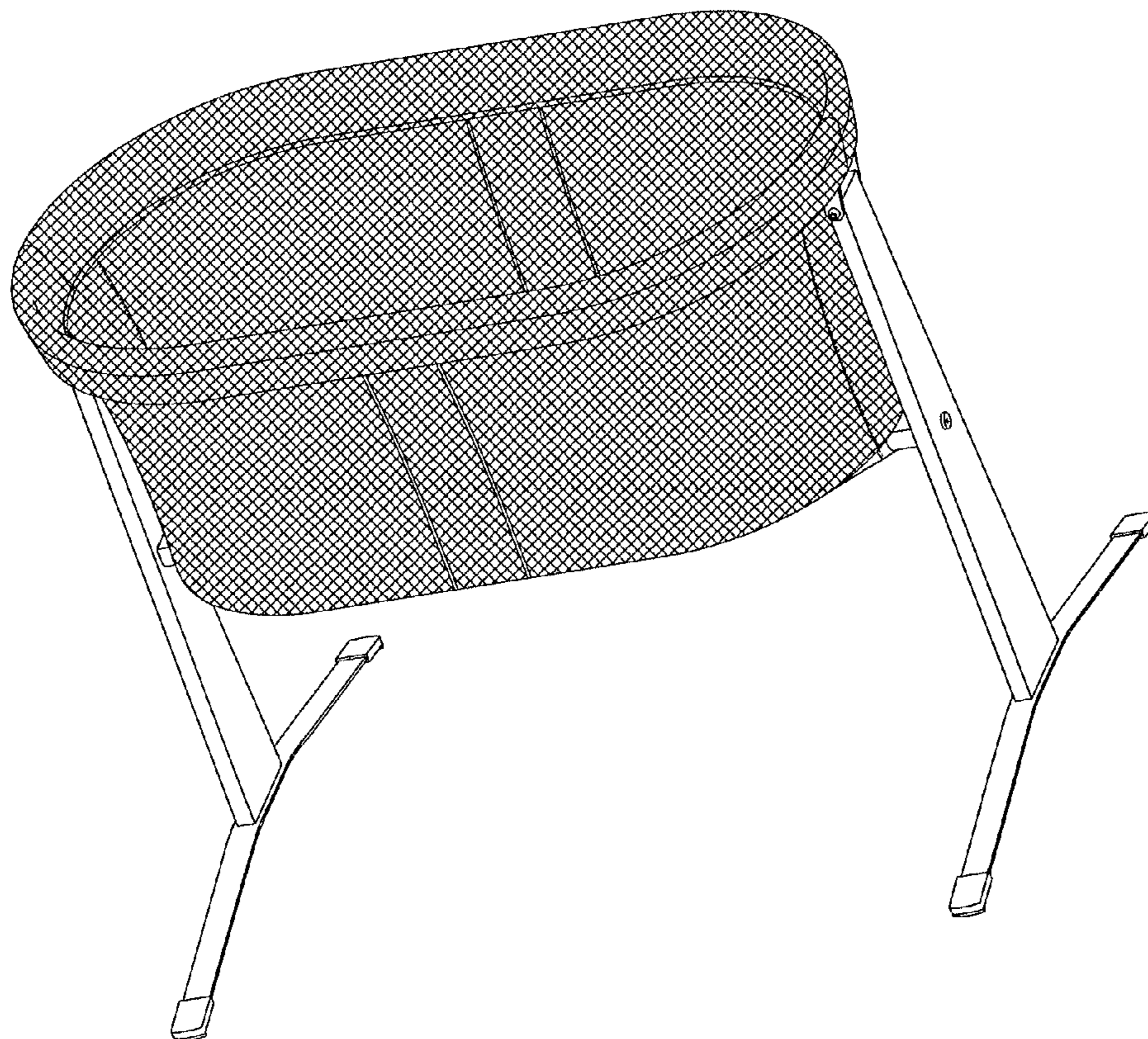




FIGURE 1

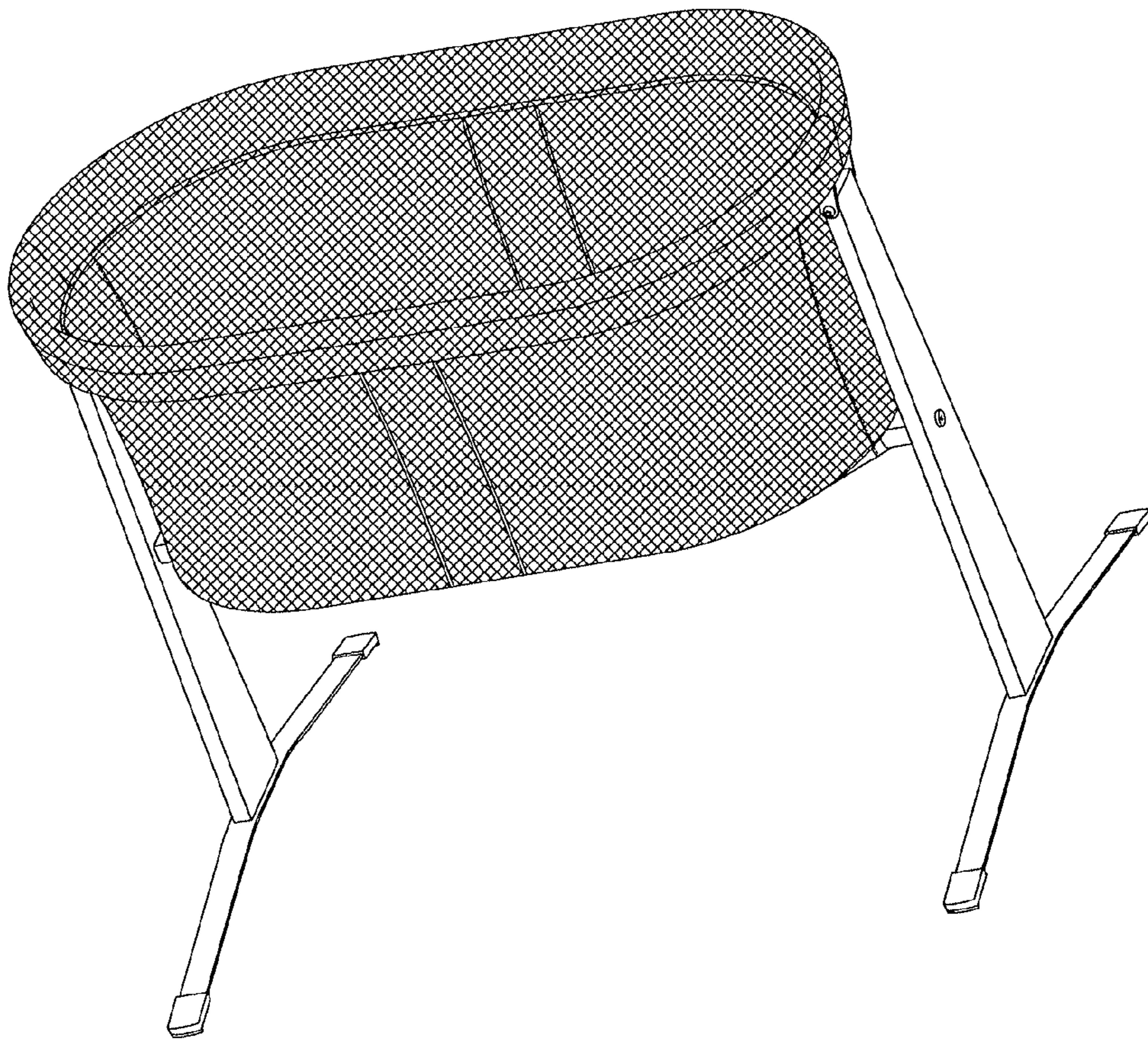


FIGURE 2

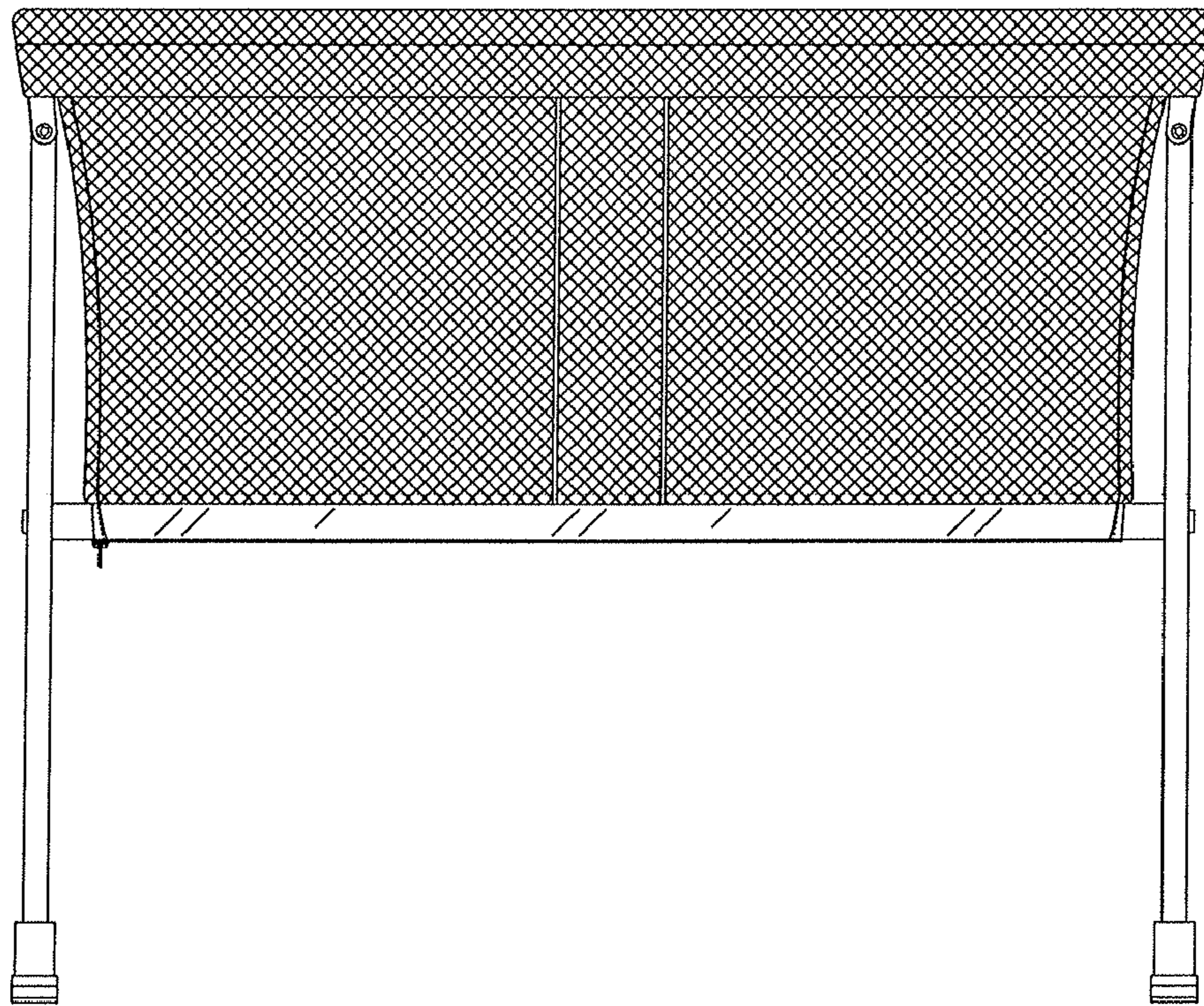


FIGURE 3

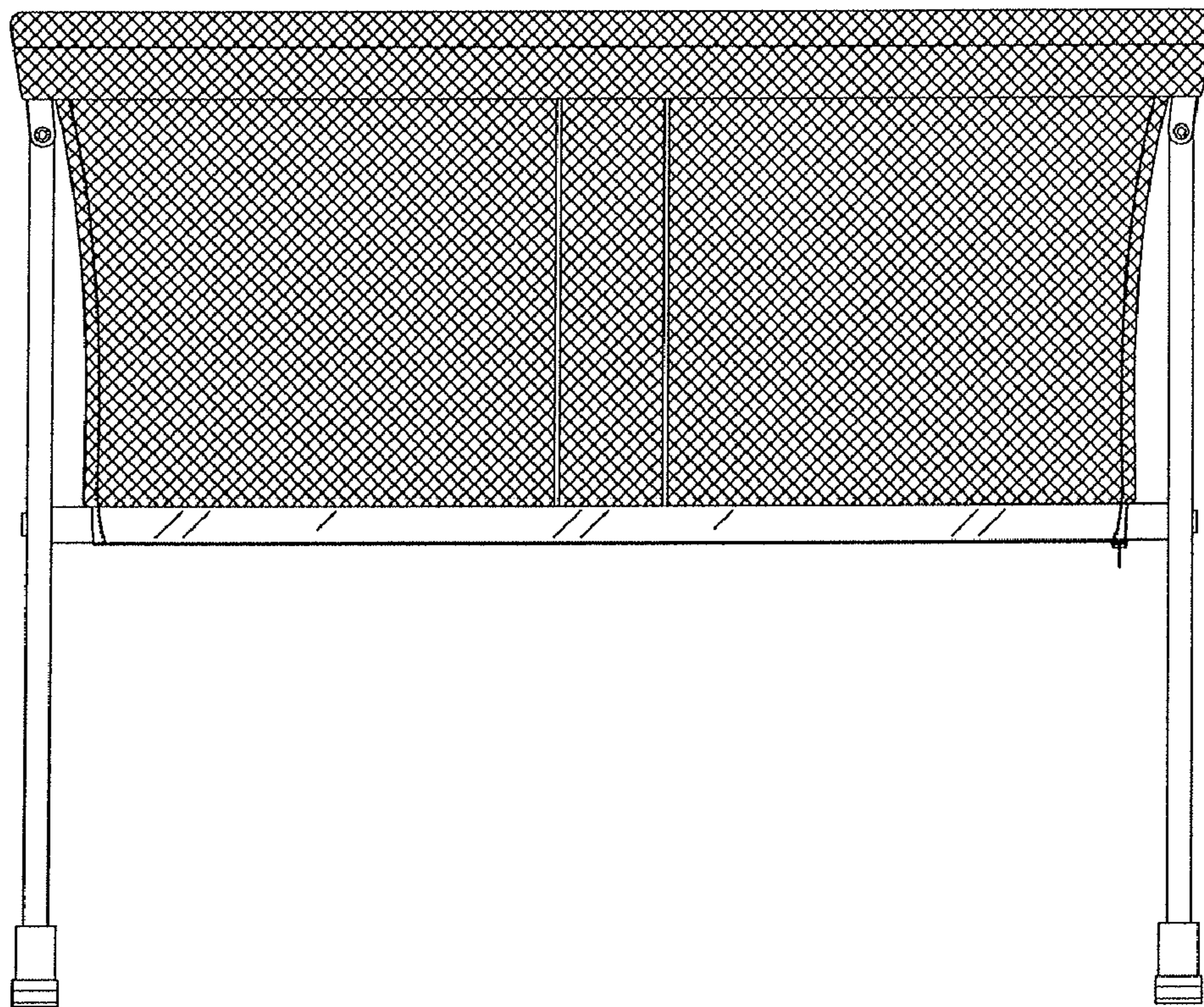


FIGURE 4

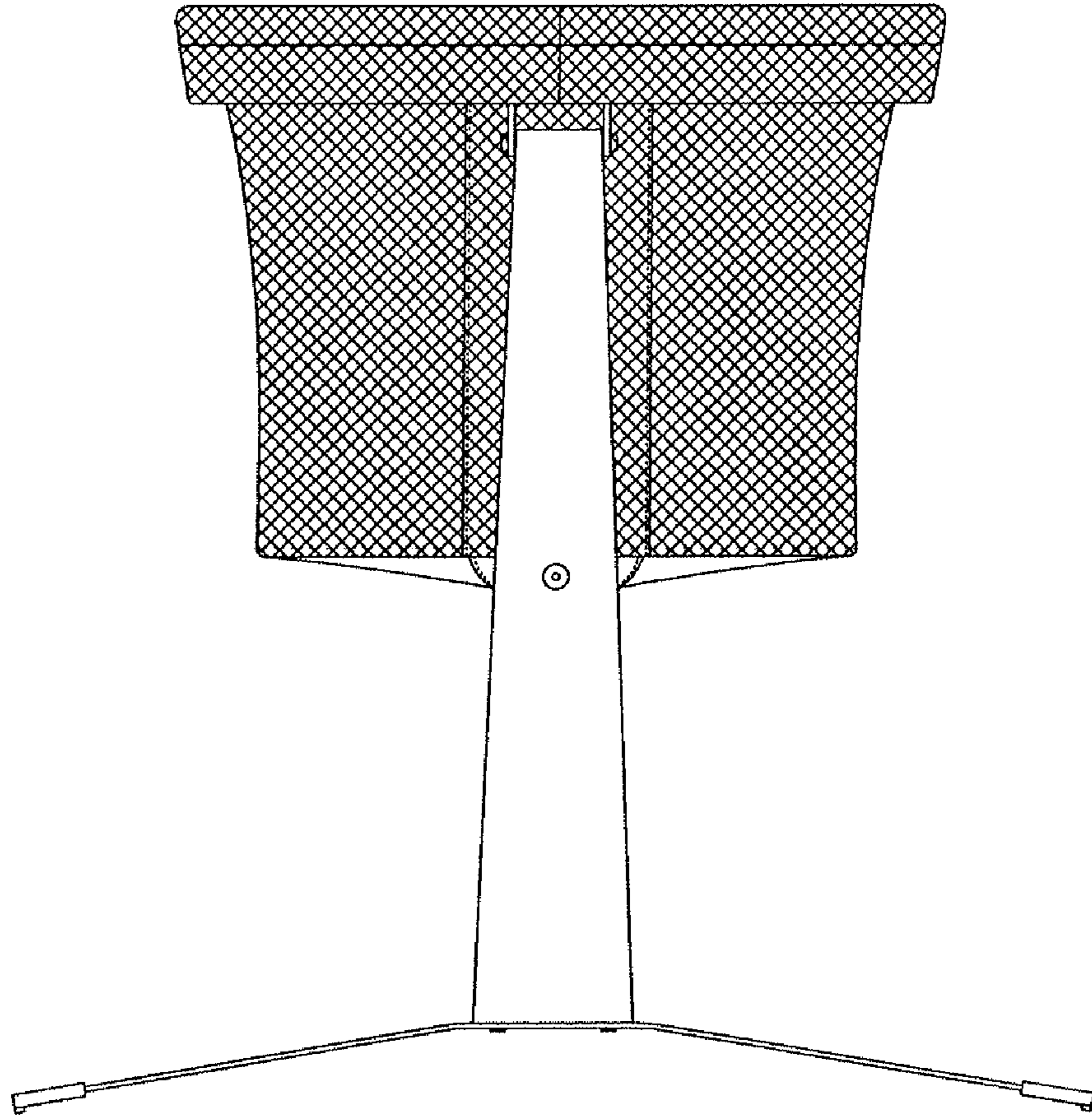


FIGURE 5

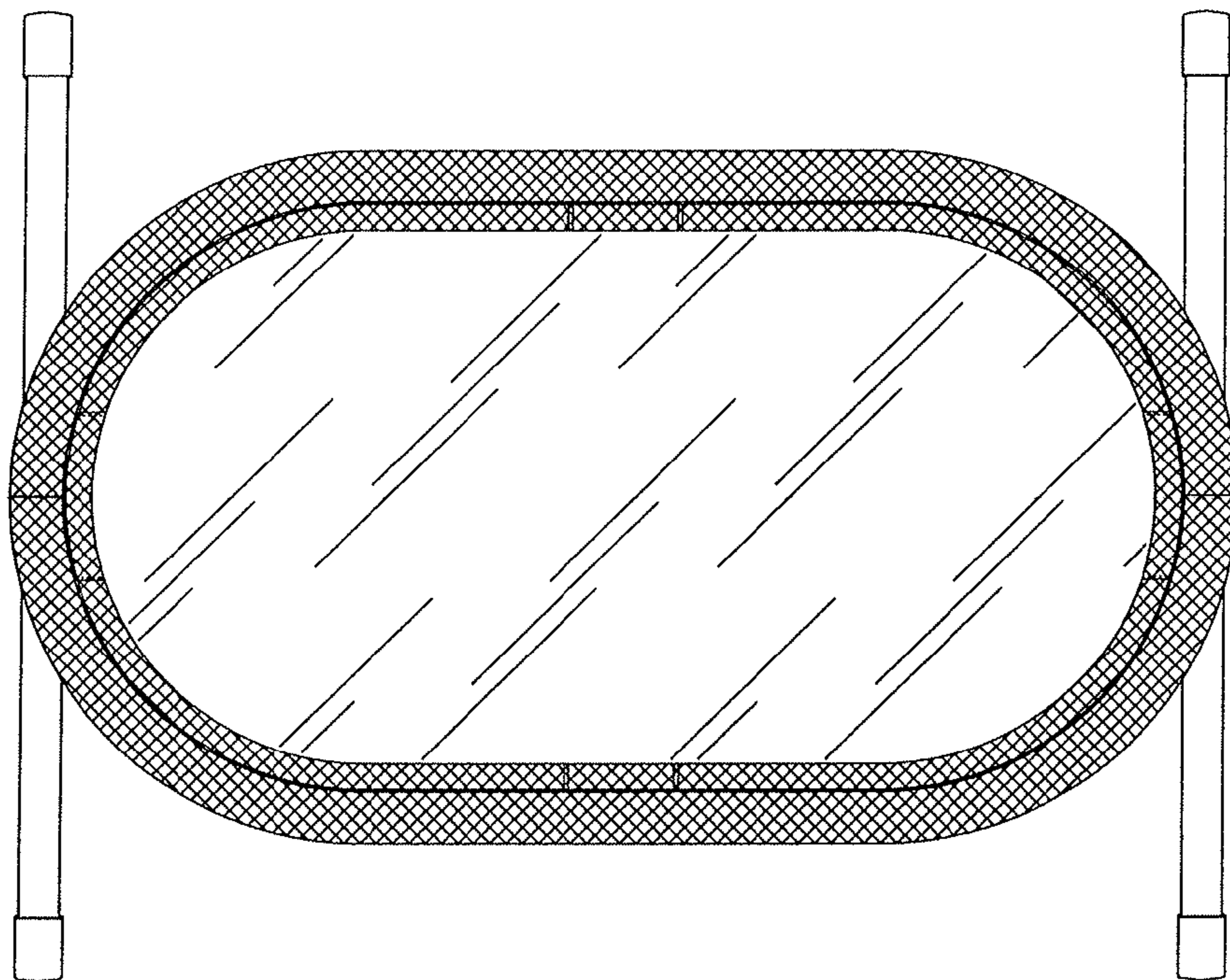


FIGURE 6

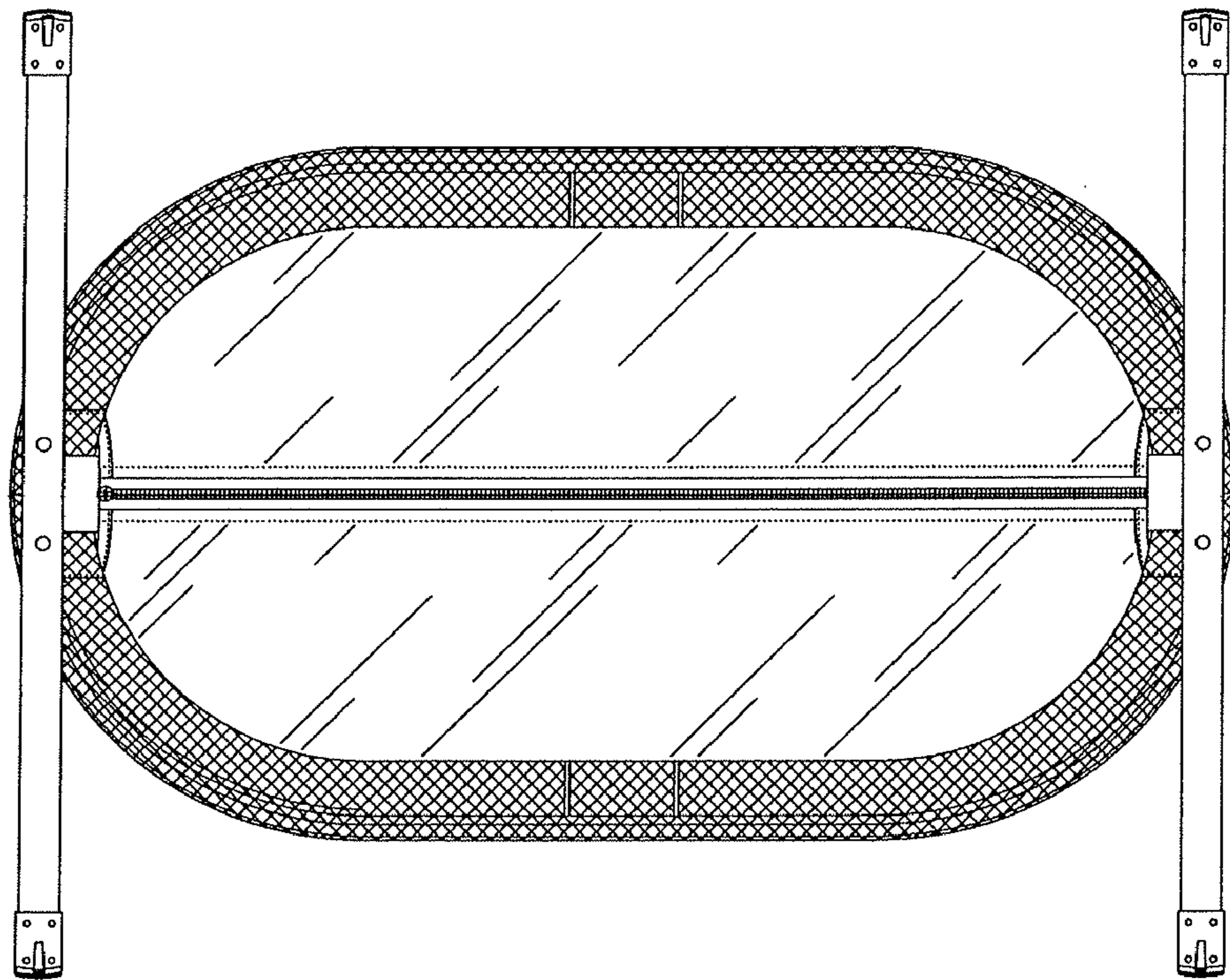


FIGURE 7