



US00D678690S

(12) **United States Design Patent**
Eldøy

(10) **Patent No.:** **US D678,690 S**

(45) **Date of Patent:** **** Mar. 26, 2013**

(54) **CHAIR**

(75) Inventor: **Olav Eldøy**, Sagvaag (NO)

(73) Assignee: **Varier Furniture AS** (NO)

(**) Term: **14 Years**

(21) Appl. No.: **29/430,186**

(22) Filed: **Aug. 22, 2012**

(51) **LOC (9) Cl.** **06-01**

(52) **U.S. Cl.** **D6/366**

(58) **Field of Classification Search** D6/334–336,
D6/364, 365, 366, 374, 375, 376, 379, 380,
D6/498, 500–502; 297/239, 445.1, 446.1,
297/452.12, 452.14, 452.19, 452.21, 452.29
See application file for complete search history.

(56) **References Cited**

U.S. PATENT DOCUMENTS

D196,429 S *	10/1963	Johnson	D6/366
D220,388 S *	4/1971	Kramer	D6/366
D245,378 S *	8/1977	Roericht	D6/366
D255,183 S *	6/1980	Locher	D6/366
D307,221 S *	4/1990	Mudge	D6/502
D358,514 S *	5/1995	Lovegrove	D6/500
D442,378 S *	5/2001	Arad	D6/366

D525,445 S *	7/2006	Liu et al.	D6/375
D555,380 S *	11/2007	Farber	D6/375
D557,916 S *	12/2007	Dietrich	D6/366
D568,617 S *	5/2008	Jehs et al.	D6/366
D585,655 S *	2/2009	Pearson et al.	D6/366

* cited by examiner

Primary Examiner — Mimoso De

(74) *Attorney, Agent, or Firm* — Kolisch Hartwell, P.C.

(57) **CLAIM**

I claim the ornamental design for a chair, as shown and described.

DESCRIPTION

FIG. 1 is a left side elevation view of a chair of the present invention.

FIG. 2 is a front elevation view of the chair of FIG. 1.

FIG. 3 is a rear elevation view of the chair of FIG. 1.

FIG. 4 is a top plan view of the chair of FIG. 1; and,

FIG. 5 is a bottom plan view of the chair of FIG. 1.

The broken lines shown in the above figures are for illustrative purposes and form no part of the claimed design.

The right side of the design is a mirror image of the left side, so the left view has been omitted.

Portions of the chair that are not shown in the drawings form no part of the claimed design.

1 Claim, 3 Drawing Sheets

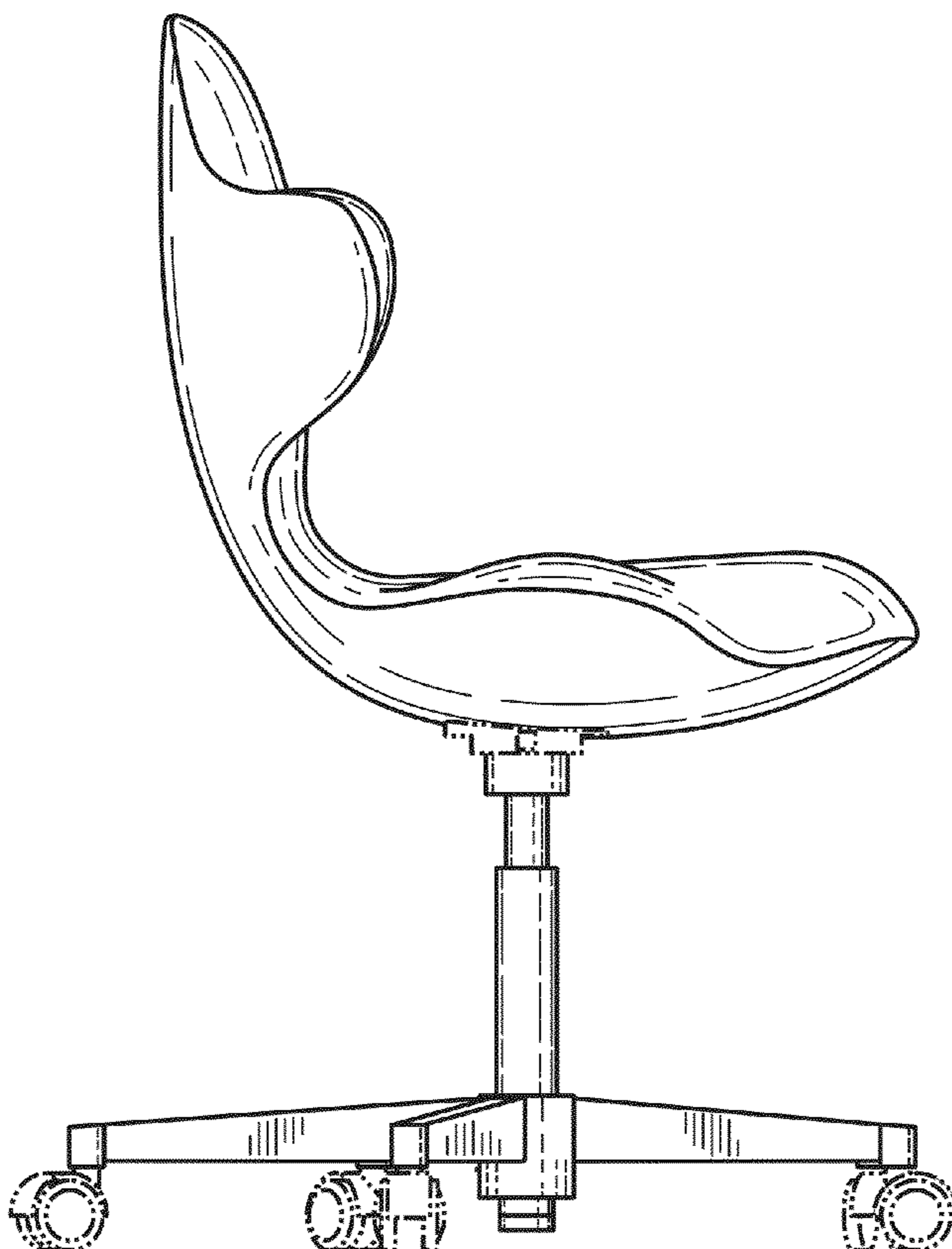


Fig. 1

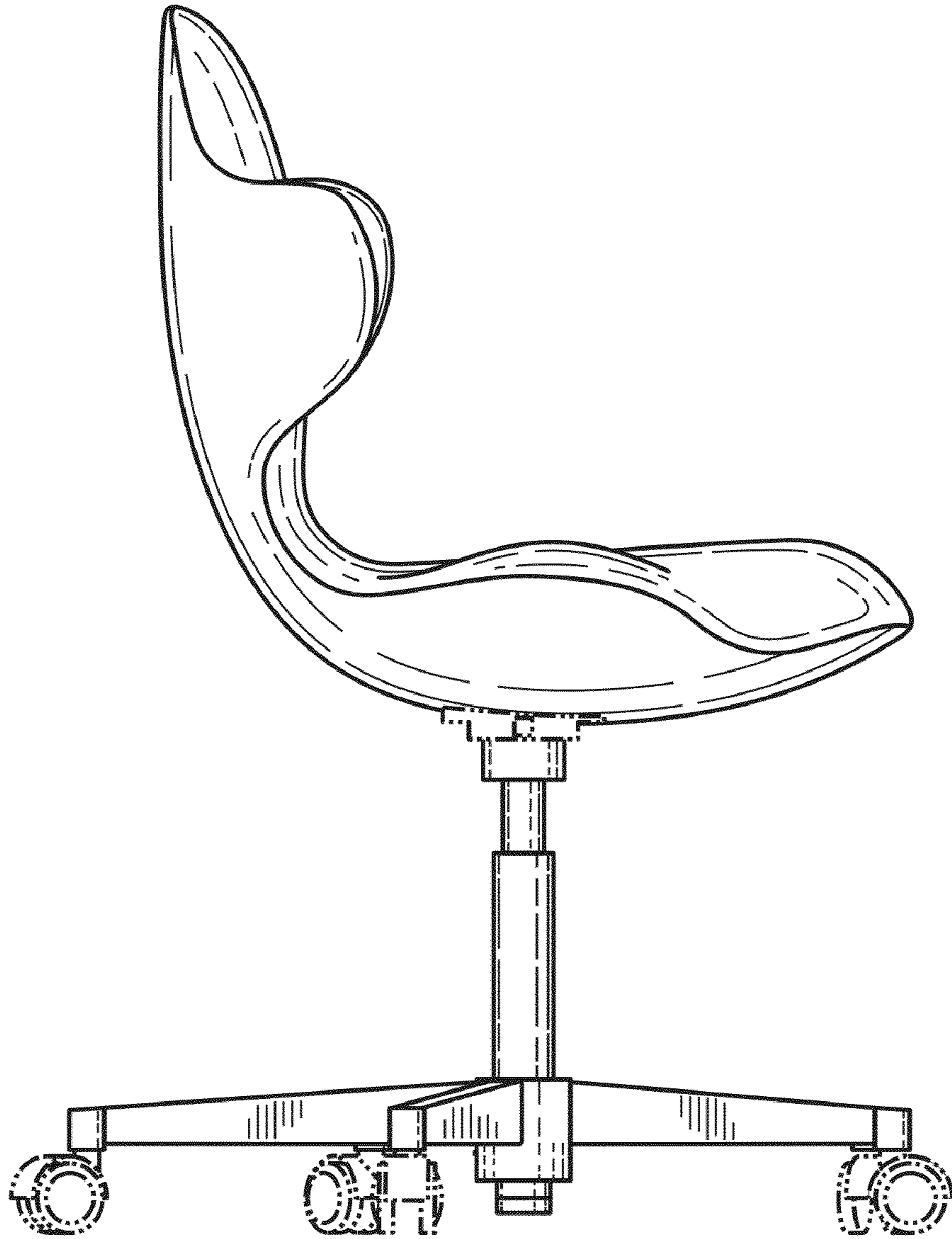


Fig. 3

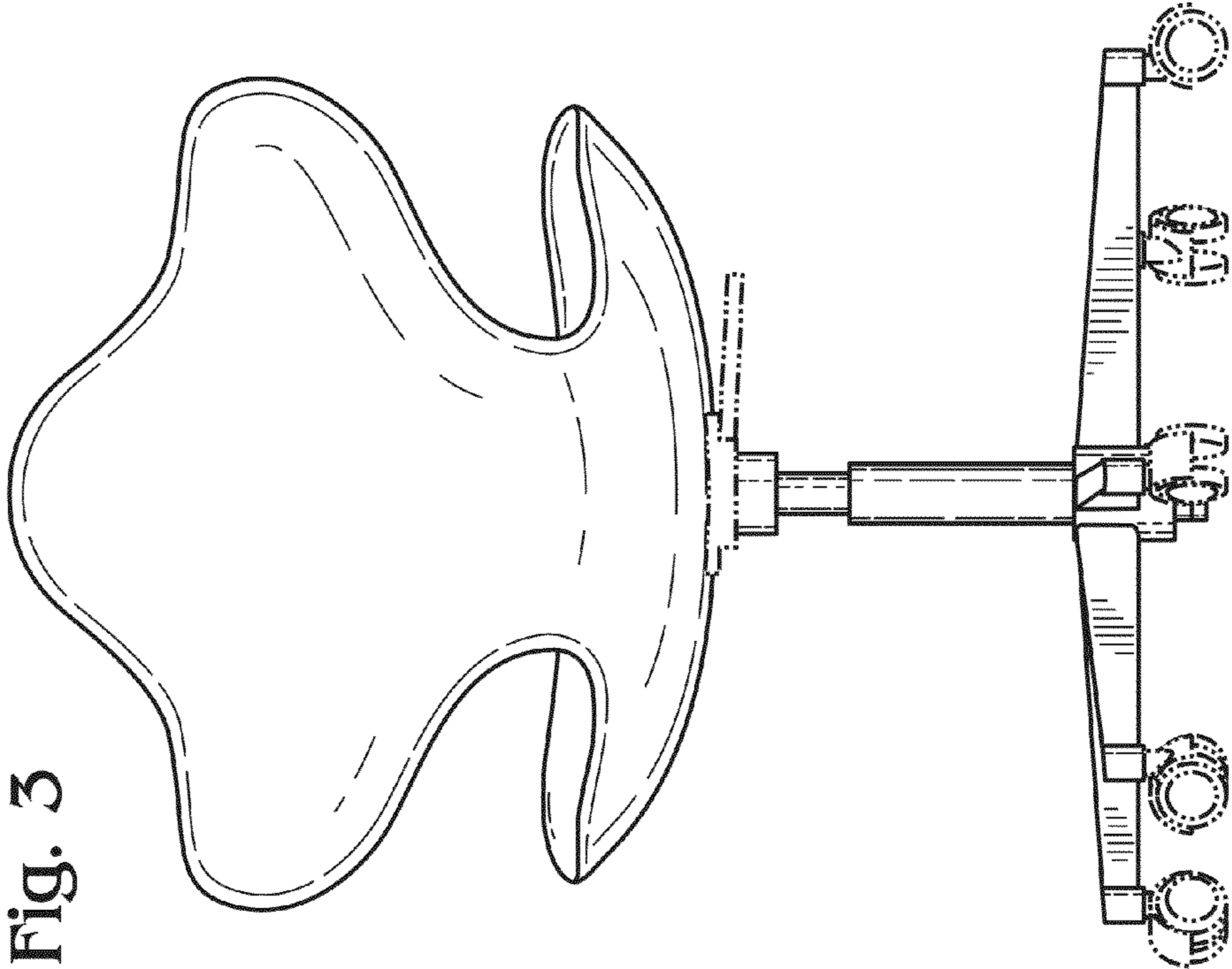
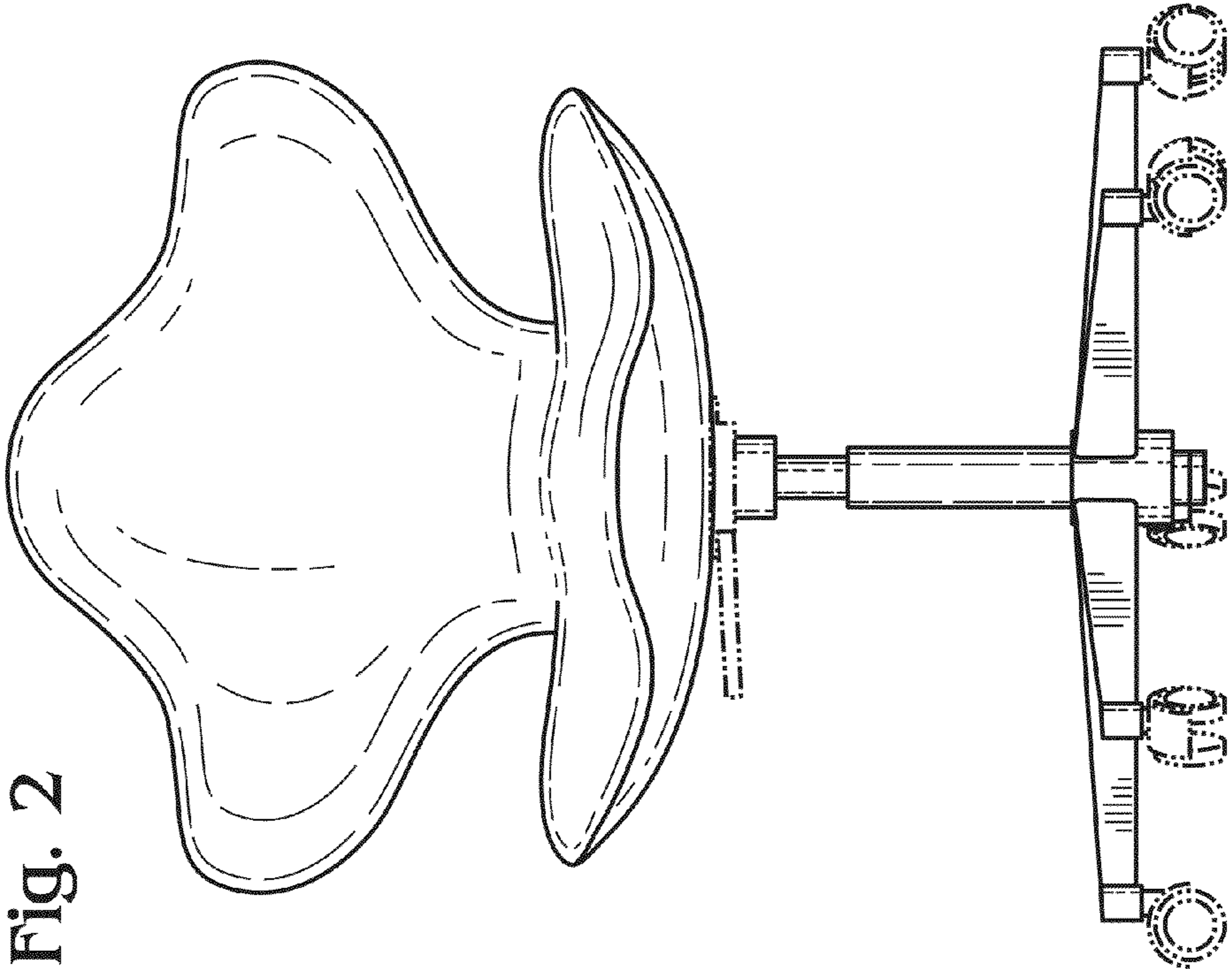


Fig. 2



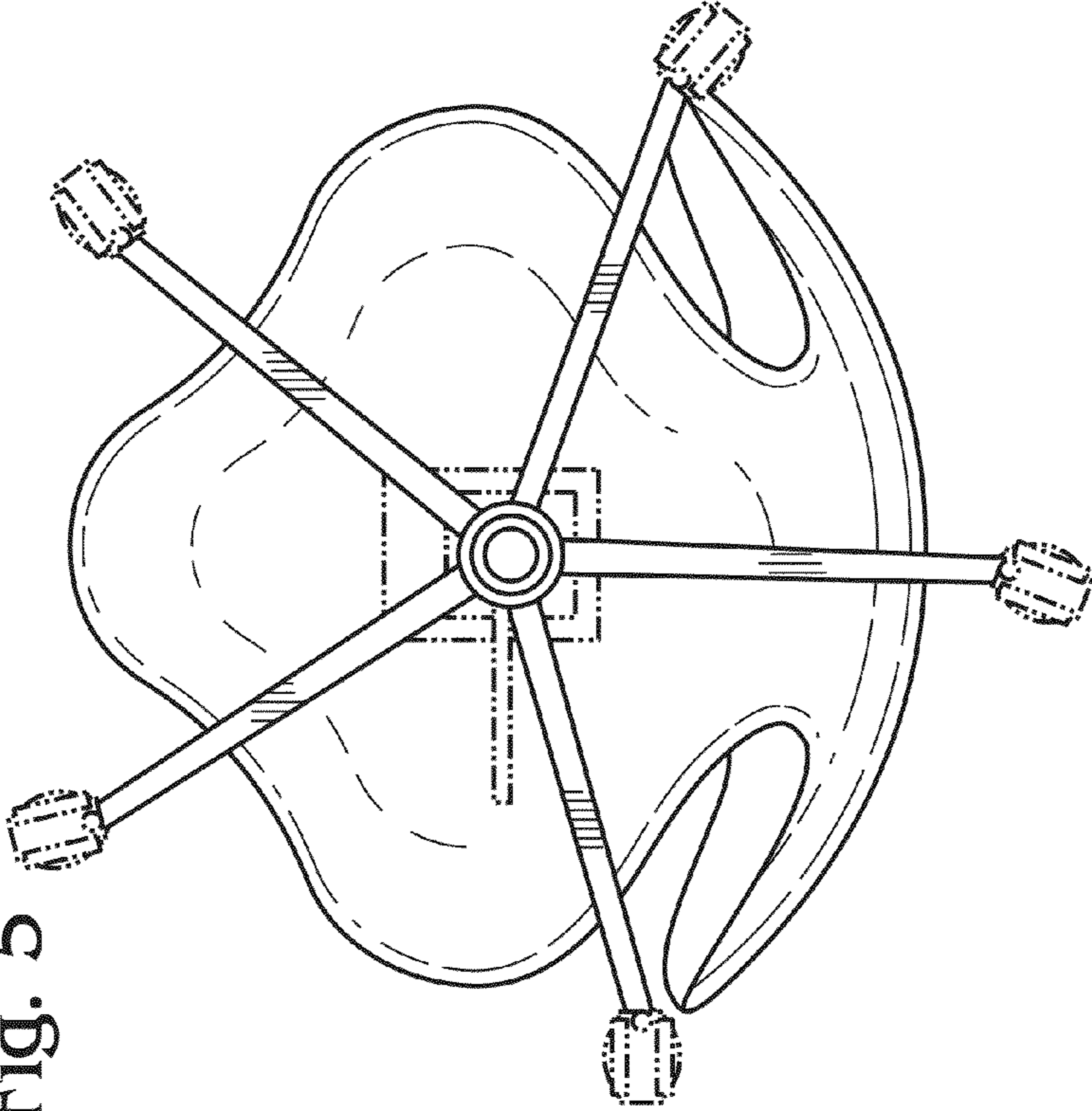


Fig. 5

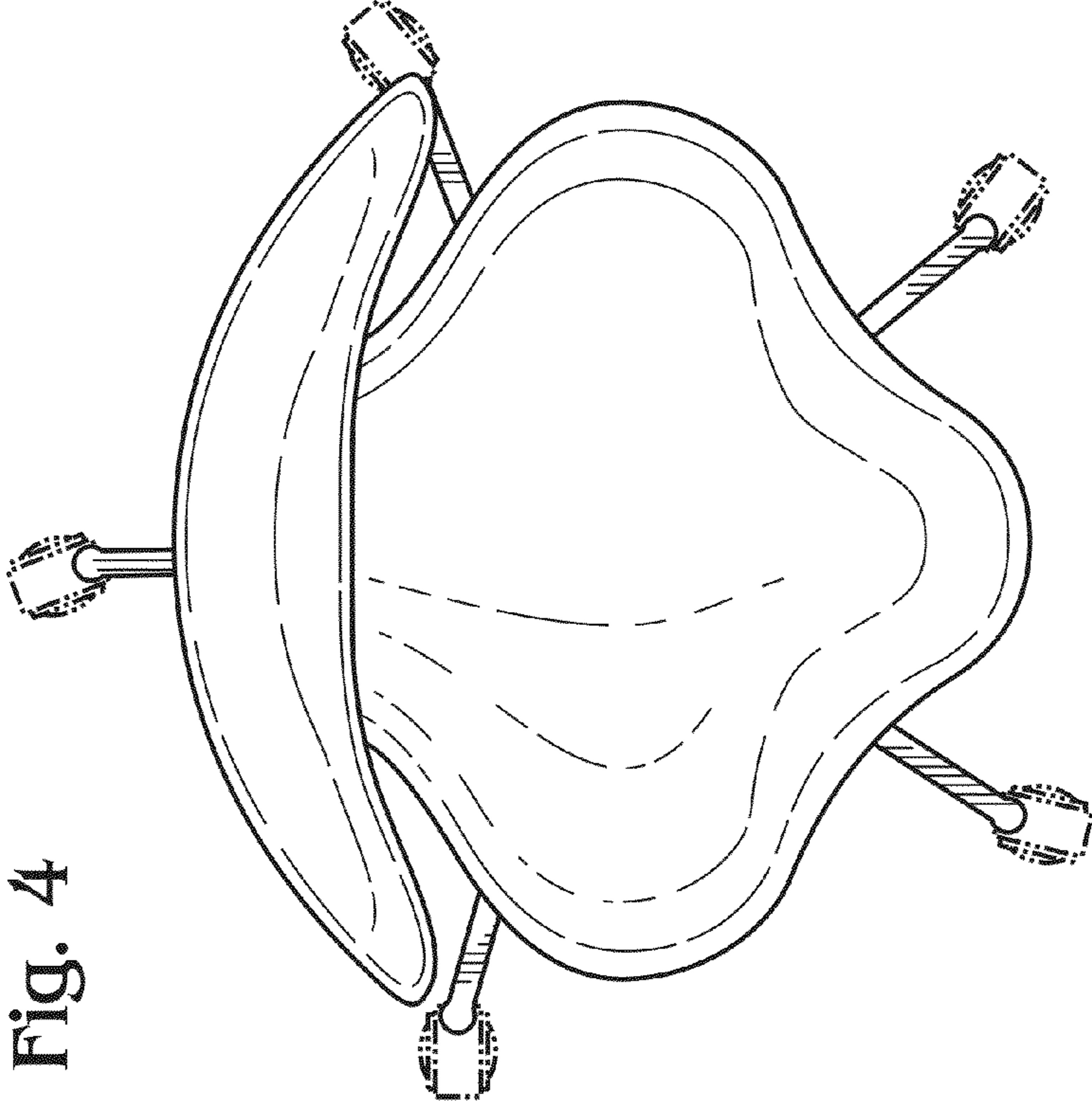


Fig. 4