



US00D678687S

(12) **United States Design Patent**
Pasillas

(10) **Patent No.:** **US D678,687 S**
(45) **Date of Patent:** **** Mar. 26, 2013**

(54) **MOTORCYCLE SEAT COVER ASSEMBLY**

(76) Inventor: **Linda Pasillas**, Dinuba, CA (US)

(**) Term: **14 Years**

(21) Appl. No.: **29/402,918**

(22) Filed: **Sep. 29, 2011**

(51) **LOC (9) Cl.** **12-11**

(52) **U.S. Cl.** **D6/354**

(58) **Field of Classification Search** D6/354,
D6/335, 337, 340, 357, 502, 601, 611; D12/110,
D12/114, 126; 180/219, 220; 297/195.1,
297/195.12, 195.13, 199-204, 214, 440.14,
297/218.4, 218.1-218.3, 218.5, 219.1, 219.11,
297/225, 243, 440.1, 440.11; 296/63, 64,
296/82; 280/288.4

See application file for complete search history.

(56) **References Cited**

U.S. PATENT DOCUMENTS

| | | | | | |
|-----------|-----|---------|----------------|-------|---------|
| 1,271,375 | A * | 7/1918 | Saunders | | 297/212 |
| 1,322,959 | A | 11/1919 | Sawasaki | | |
| 2,320,210 | A * | 5/1943 | Bender | | 297/203 |
| D223,790 | S * | 6/1972 | Miyachi et al. | | D12/110 |
| D238,221 | S * | 12/1975 | Hanagan | | D6/354 |
| D246,879 | S * | 1/1978 | Hanagan | | D6/354 |
| D250,152 | S * | 11/1978 | Blocksom | | D6/354 |
| 4,563,038 | A * | 1/1986 | Hirose | | 297/243 |

| | | | | | |
|--------------|------|---------|-----------------|-------|------------|
| 4,691,963 | A * | 9/1987 | Mikuniya et al. | | 297/195.12 |
| D301,409 | S * | 6/1989 | Beckett | | D6/354 |
| 6,012,770 | A * | 1/2000 | Rubin | | 297/184.11 |
| 7,178,866 | B1 | 2/2007 | Scott | | |
| D555,216 | S * | 11/2007 | Grider | | D21/694 |
| 7,360,831 | B2 | 4/2008 | Schwarz et al. | | |
| 7,416,250 | B1 | 8/2008 | DiFilippo | | |
| D581,685 | S * | 12/2008 | Longpre et al. | | D6/354 |
| 7,837,260 | B2 * | 11/2010 | Hein et al. | | 297/195.12 |
| 2005/0046249 | A1 | 3/2005 | Crumley et al. | | |

* cited by examiner

Primary Examiner — Susan M Lee

Assistant Examiner — Linda G. Brooks

(57) **CLAIM**

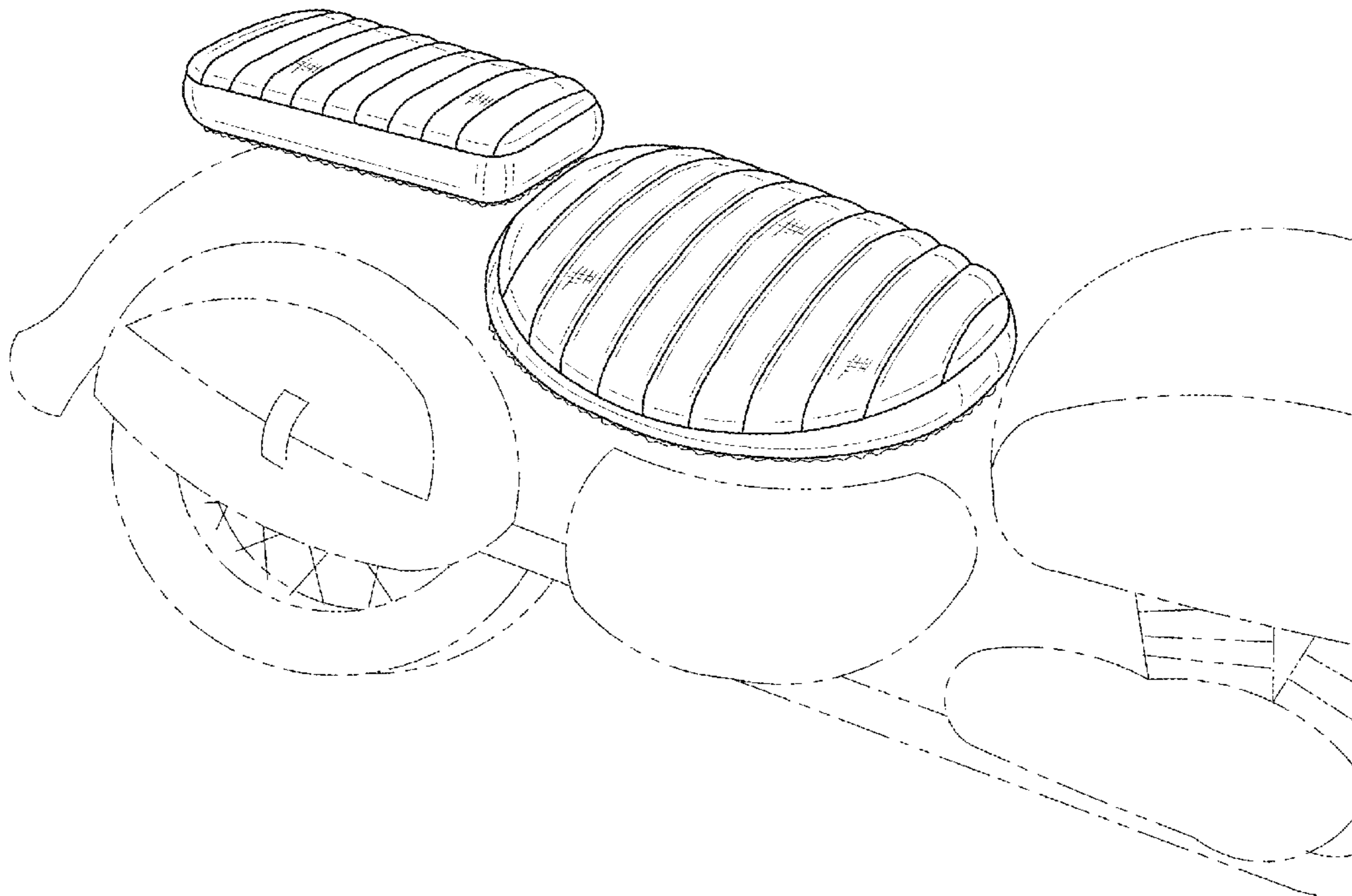
The ornamental design for a motorcycle seat cover assembly, as shown and described.

DESCRIPTION

FIG. 1 is an exploded right elevation view of a motorcycle seat cover assembly showing my new design, the opposite side being a mirror image of that shown; FIG. 2 is a rear elevation view thereof; FIG. 3 is a front elevation view thereof; FIG. 4 is a top plan view thereof; FIG. 5 is a bottom plan view thereof; and, FIG. 6 is an isometric view thereof.

The broken lines in FIG. 6 of the drawings depict environmental subject matter only and form no part of the claimed design.

1 Claim, 4 Drawing Sheets



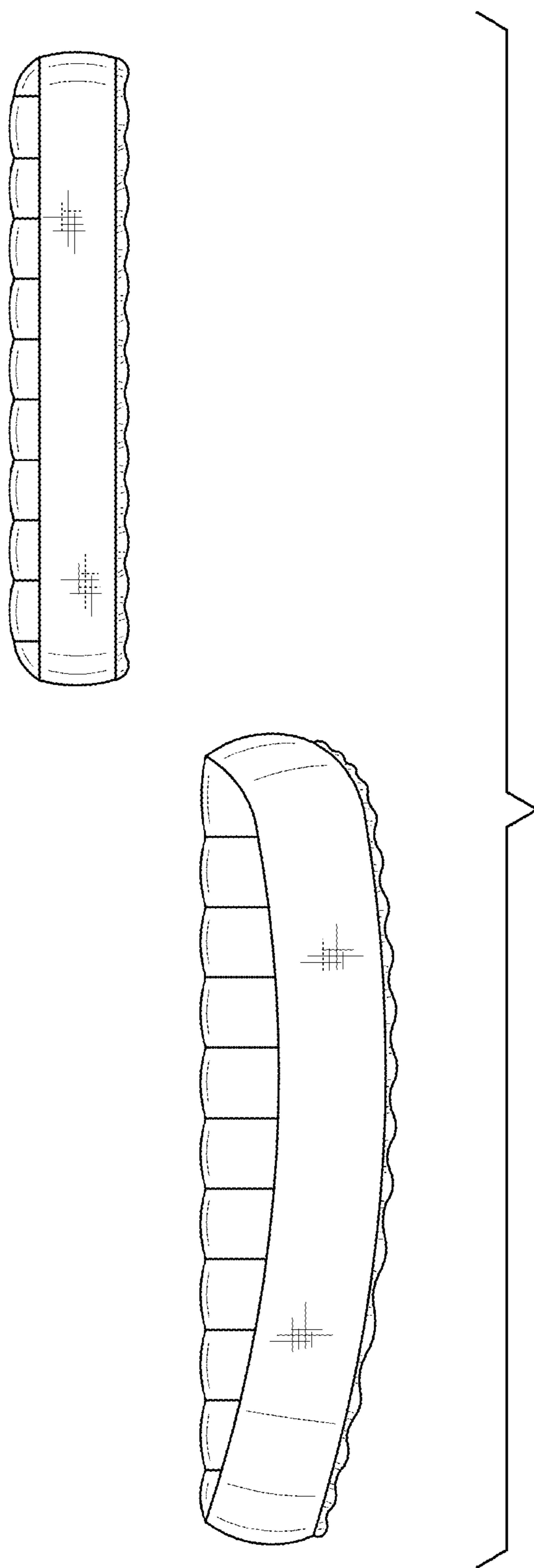


FIG. 1

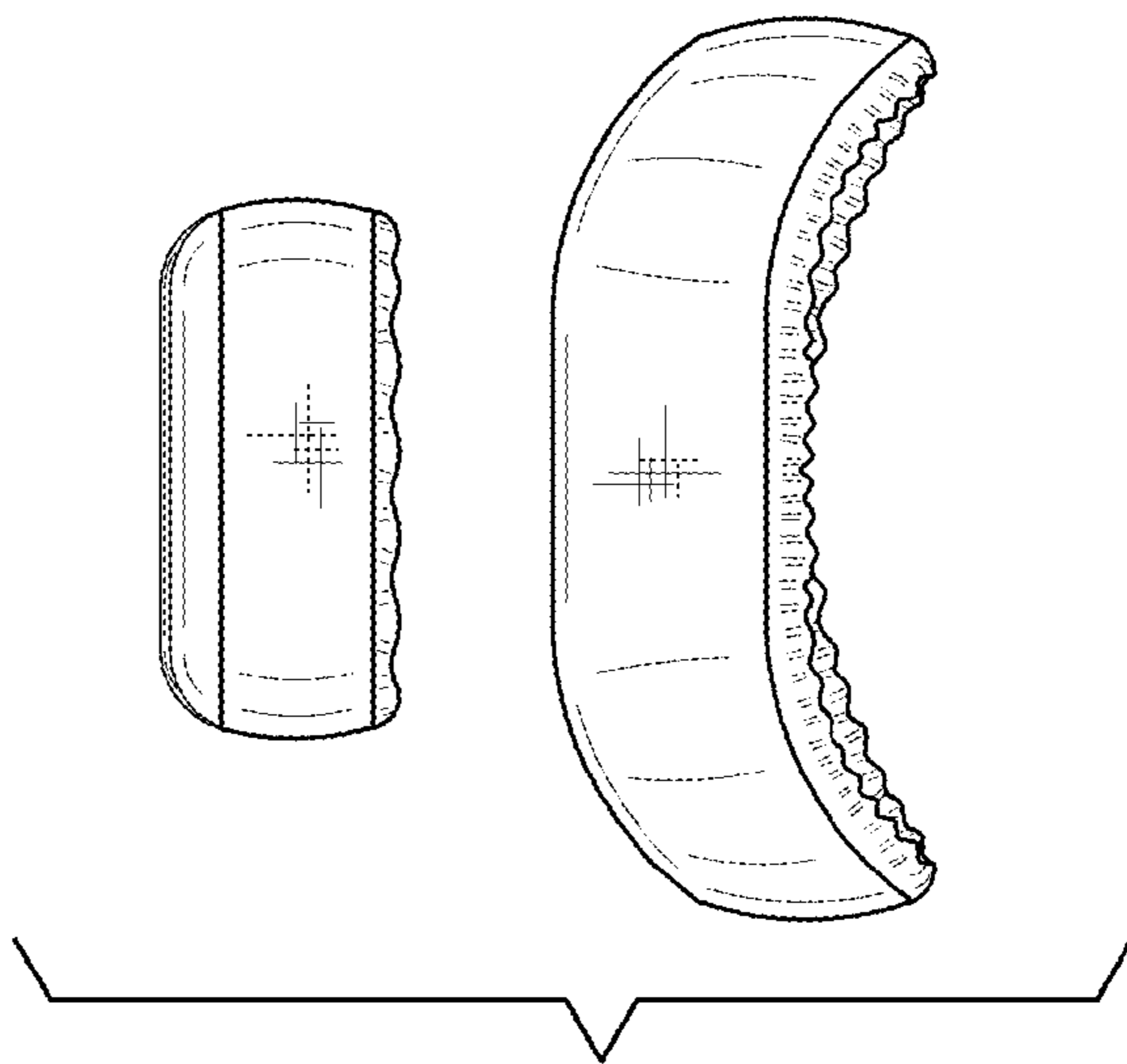


FIG. 3

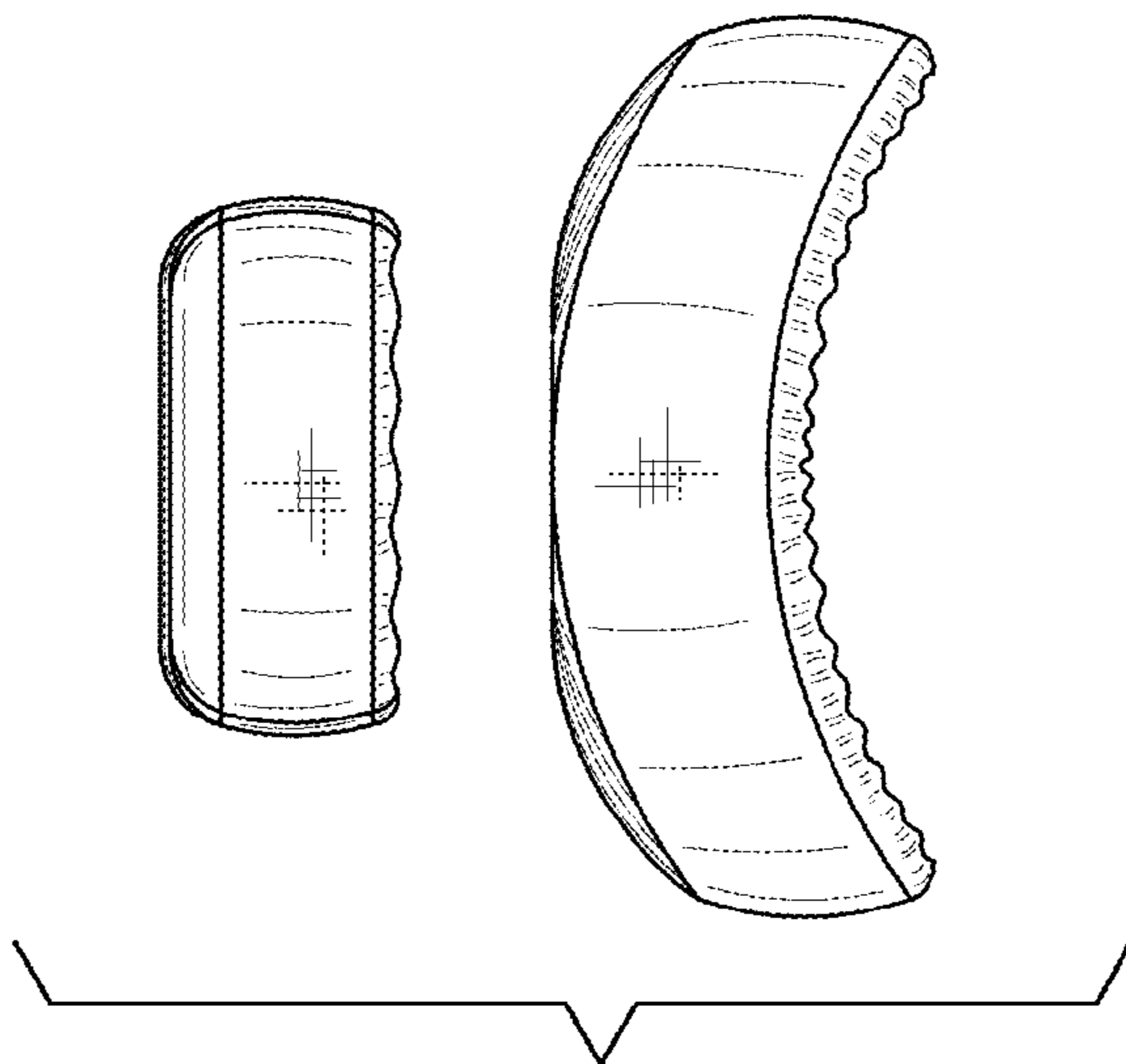


FIG. 2

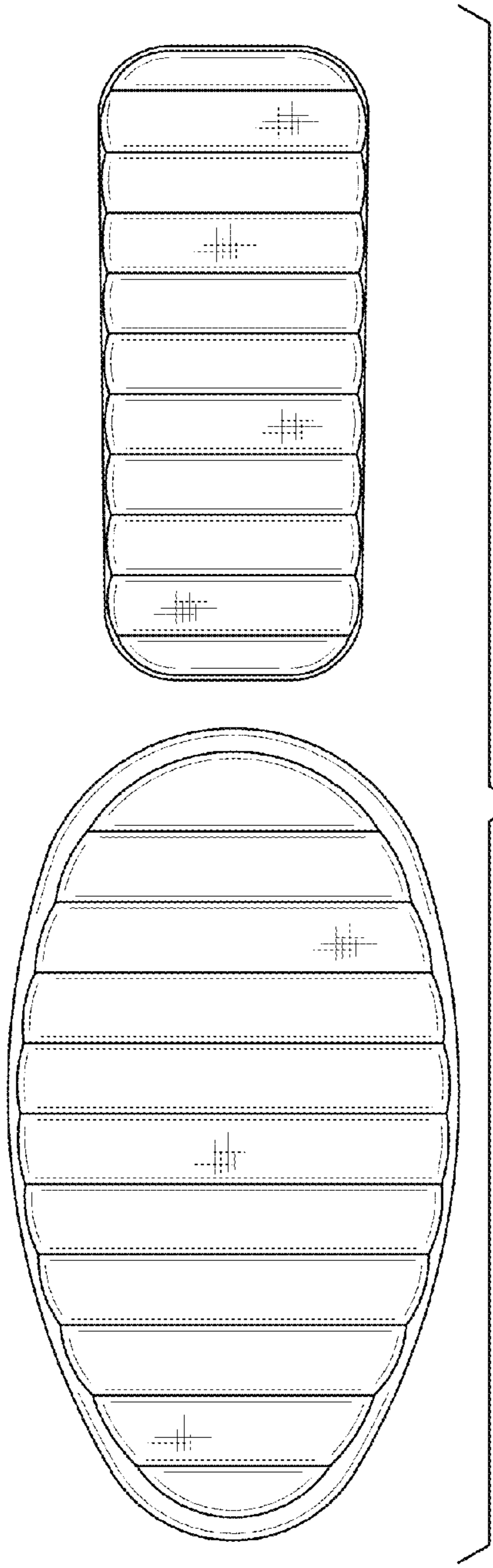


FIG. 4

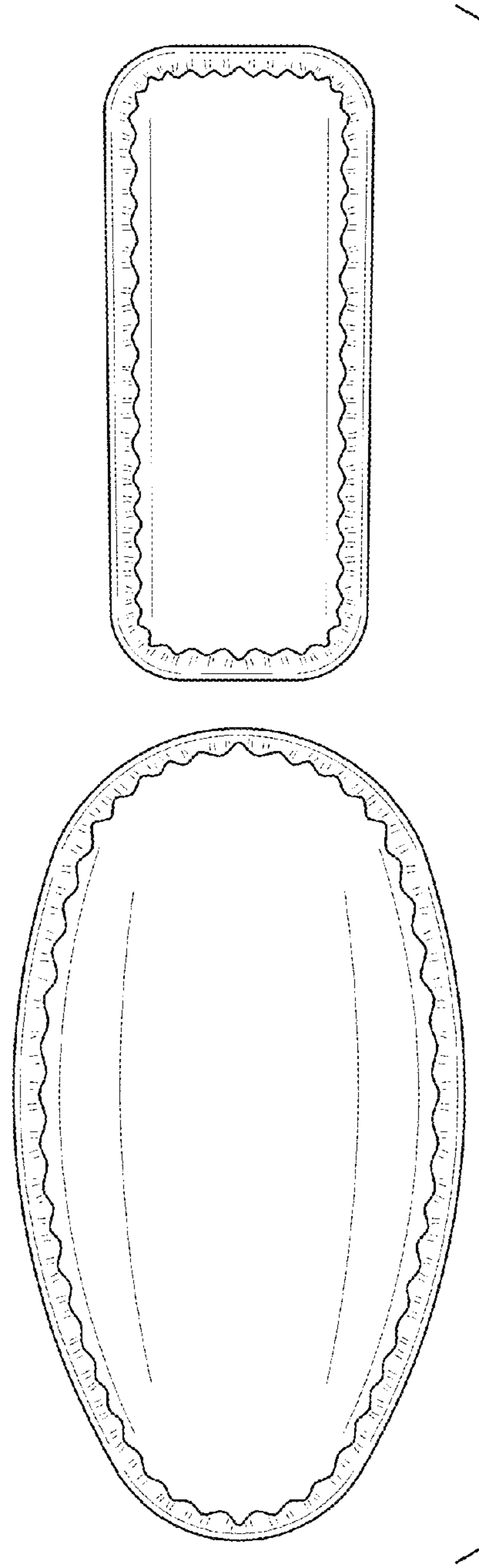


FIG. 5

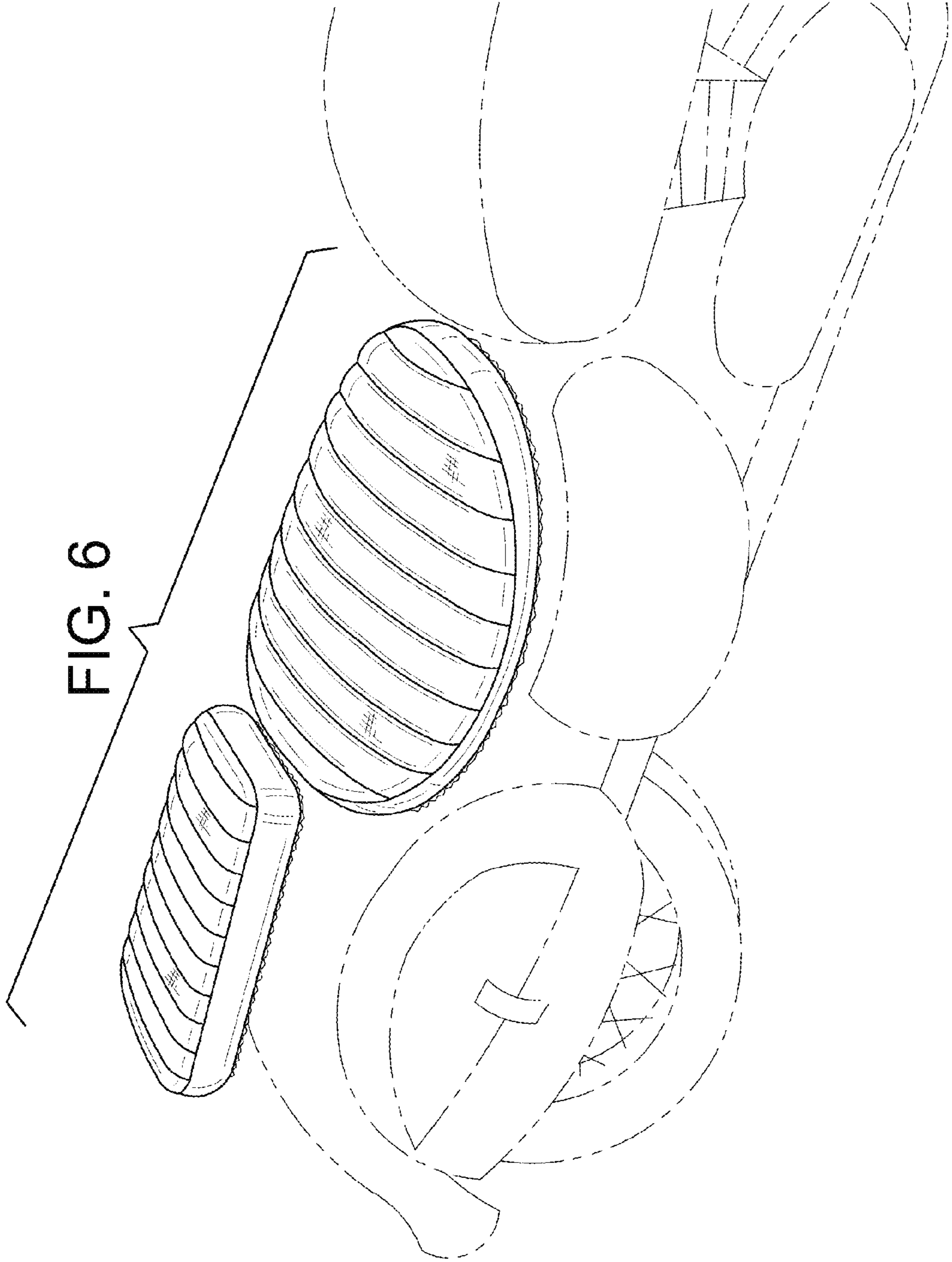


FIG. 6