

US00D678686S

(12) **United States Design Patent**
Mizuno et al.

(10) **Patent No.:** **US D678,686 S**
(45) **Date of Patent:** **** Mar. 26, 2013**

(54) **CHAIR FOR AUTOMATIC SHAMPOO MACHINE**

(75) Inventors: **Osamu Mizuno**, Osaka (JP); **Mizuho Sakakibara**, Tokyo (JP); **Tohru Nakamura**, Osaka (JP); **Soichiro Fujioka**, Osaka (JP); **Toshinori Hirose**, Osaka (JP)

(73) Assignee: **Panasonic Corporation**, Osaka (JP)

(**) Term: **14 Years**

(21) Appl. No.: **29/416,563**

(22) Filed: **Mar. 23, 2012**

(30) **Foreign Application Priority Data**

Sep. 26, 2011 (JP) 2011-021863

(51) **LOC (9) Cl.** **06-01**

(52) **U.S. Cl.** **D6/335**

(58) **Field of Classification Search** D6/330, D6/335-338, 340, 349-355, 358, 359, 364, D6/366, 376, 491, 495, 500-502; 297/16.1, 297/39, 46, 135, 140, 156, 158.3, 158.4, 297/175, 177, 187, 195.1, 195.11, 211, 245, 297/423.1, 423.16, 445.1, 461, 462, 136, 297/170, 172, 174 F

See application file for complete search history.

(56) **References Cited**

U.S. PATENT DOCUMENTS

- 1,843,564 A * 2/1932 Koken 297/452.18
- 1,948,786 A * 2/1934 Dorrell 297/338
- 2,703,134 A * 3/1955 Mossor 297/180.14
- 3,131,967 A * 5/1964 Spaulding 297/180.14

- 3,140,892 A * 7/1964 Shubart et al. 297/80
- 3,271,070 A * 9/1966 Dlouhy et al. 297/188.18
- 3,578,379 A * 5/1971 Taylor et al. 297/71
- 4,240,662 A * 12/1980 Anderson 297/17
- D336,376 S * 6/1993 Hollington D6/334
- 6,115,856 A * 9/2000 Najar 4/523
- D458,466 S * 6/2002 McCairley D6/365
- 6,517,162 B2 * 2/2003 Cheng 297/440.14
- D472,720 S * 4/2003 Cheng D6/335
- D489,189 S * 5/2004 Cheng D6/335
- D506,085 S * 6/2005 Ohashi D6/361
- D613,534 S 4/2010 Nordstrom
- D622,071 S 8/2010 Petruccelli
- D651,423 S 1/2012 Petruccelli
- 2004/0075314 A1 * 4/2004 Gillespie 297/217.1

* cited by examiner

Primary Examiner — Sandra Snapp

(74) *Attorney, Agent, or Firm* — Brinks Hofer Gilson & Lione

(57) **CLAIM**

We claim the ornamental design for a chair for automatic shampoo machine, as shown and described.

DESCRIPTION

FIG. 1 is a top perspective view of a chair for automatic shampoo machine of the present invention;
FIG. 2 is a front view thereof;
FIG. 3 is a rear view thereof;
FIG. 4 is a first side view thereof;
FIG. 5 is a second side view thereof;
FIG. 6 is a top view thereof; and,
FIG. 7 is a bottom view thereof.

The broken lines shown represent unclaimed subject matter and form no part of the claimed design.

1 Claim, 7 Drawing Sheets

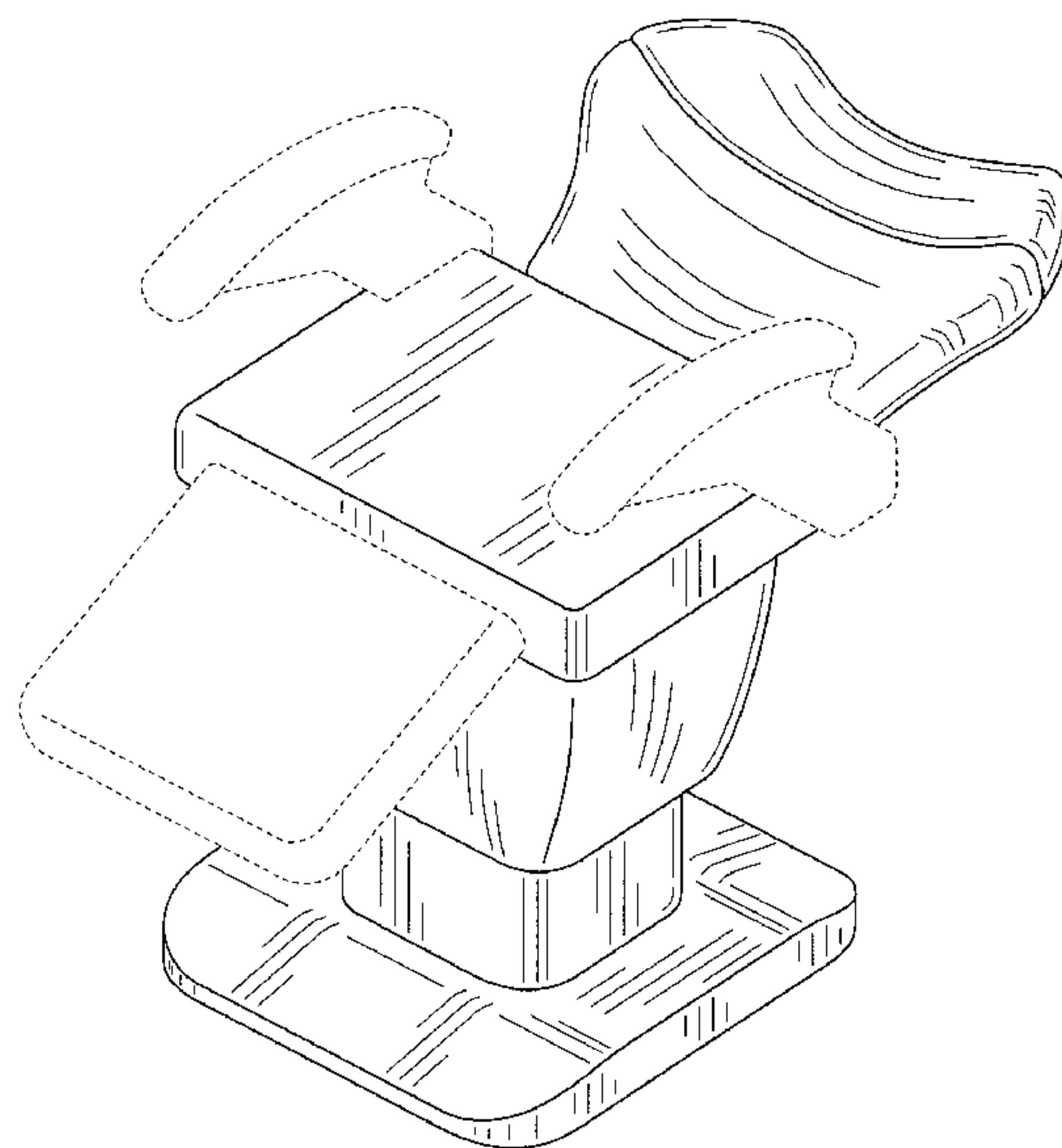


FIG. 1

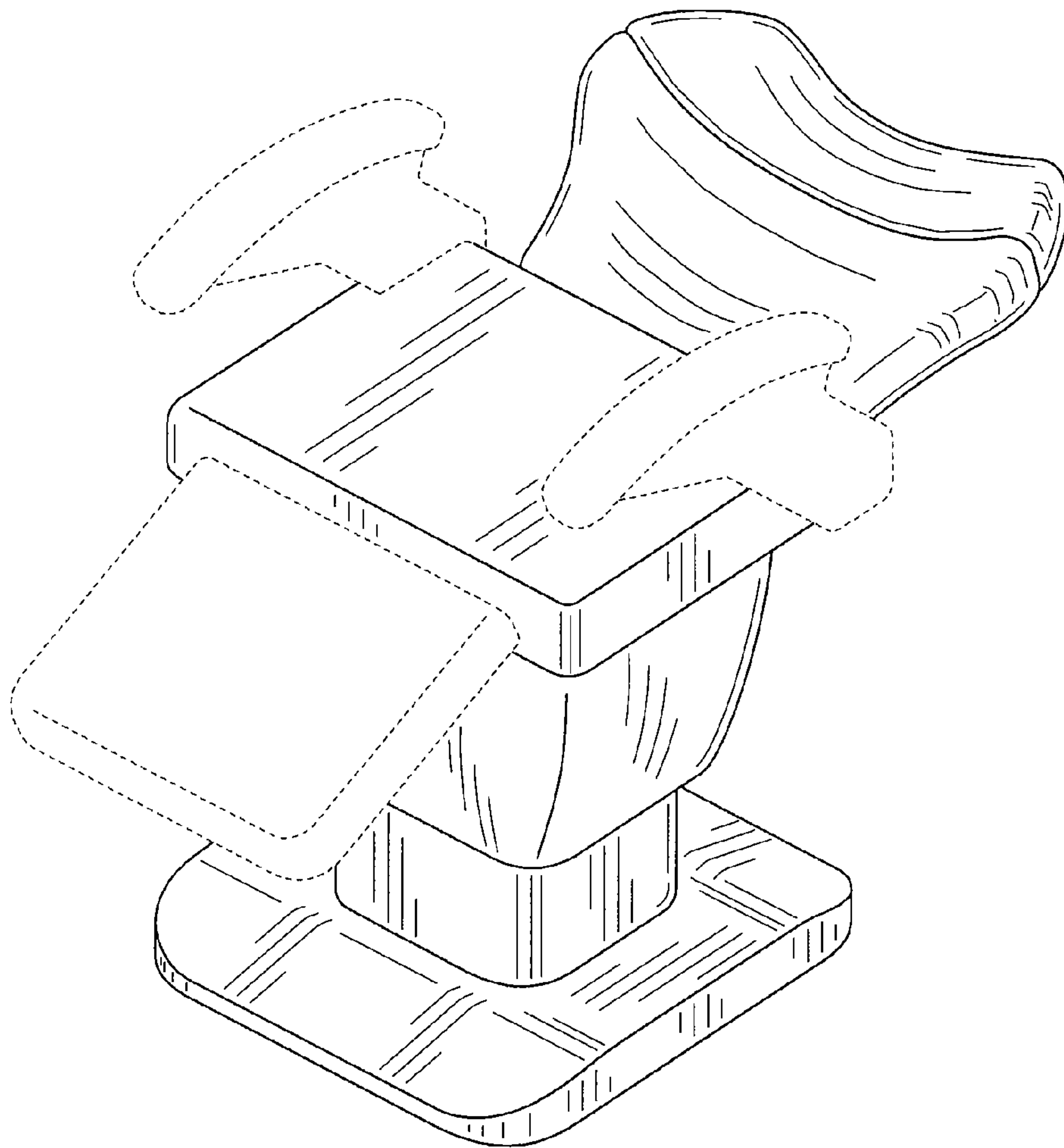


FIG. 2

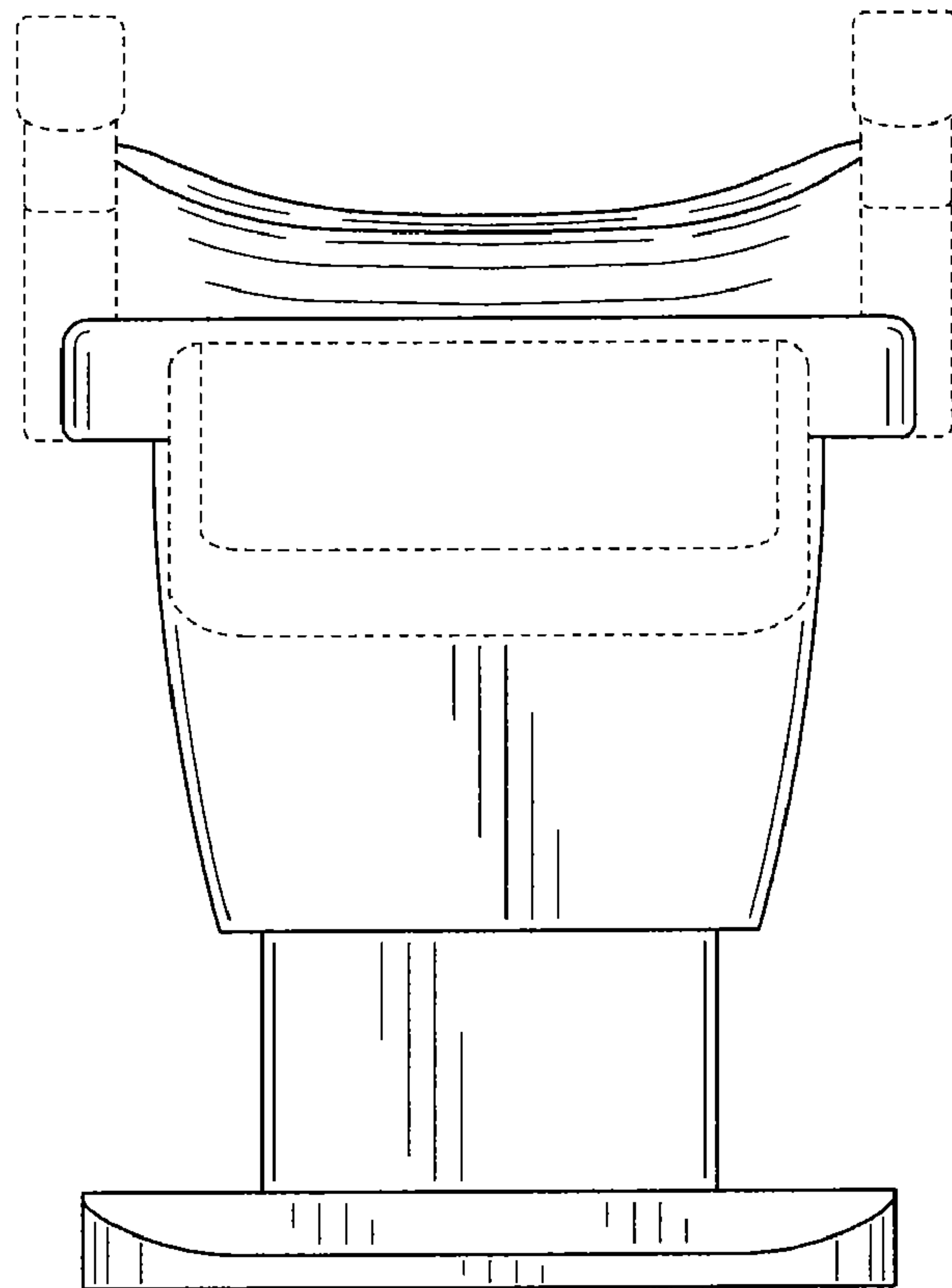


FIG. 3

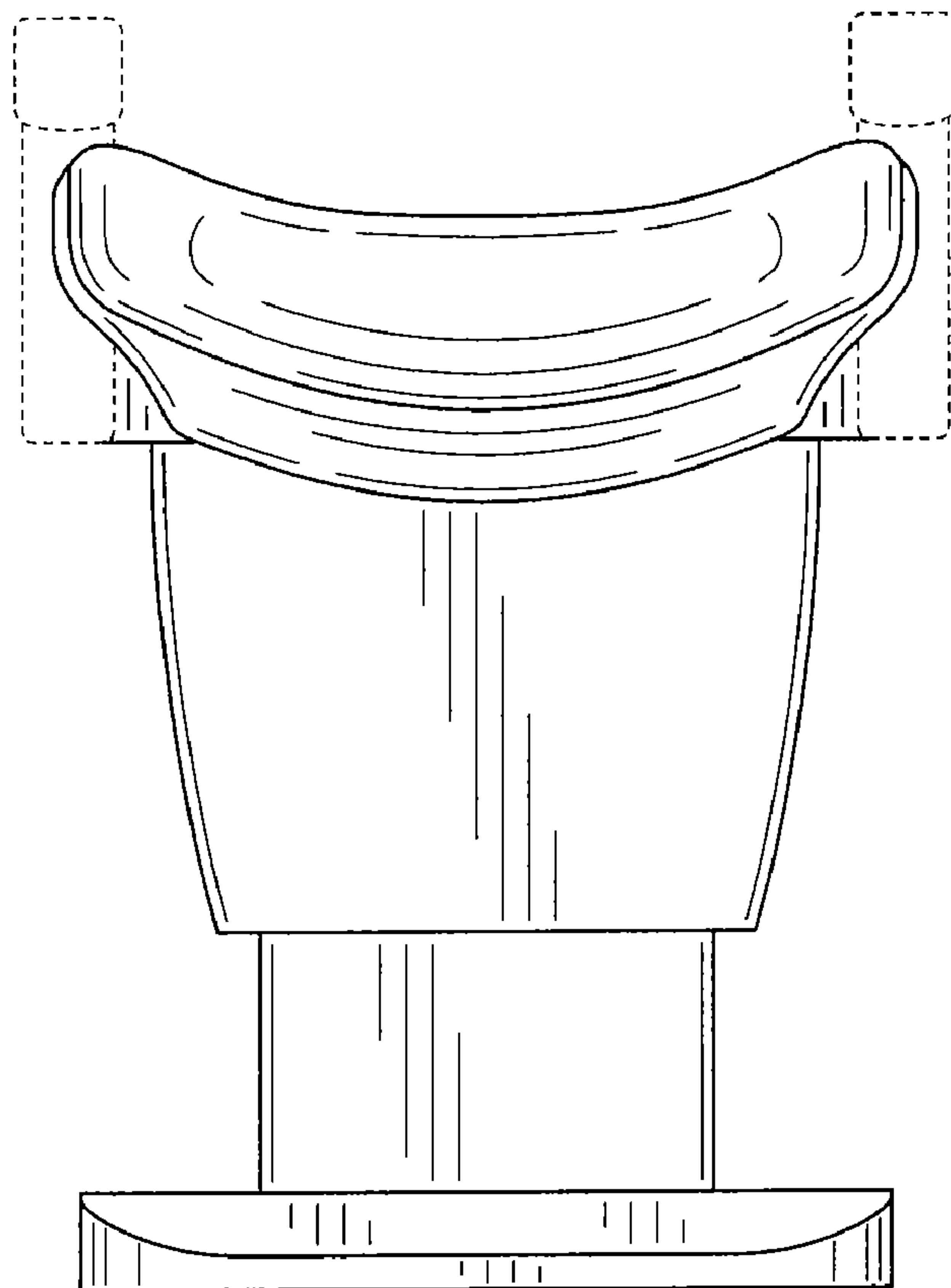


FIG. 4

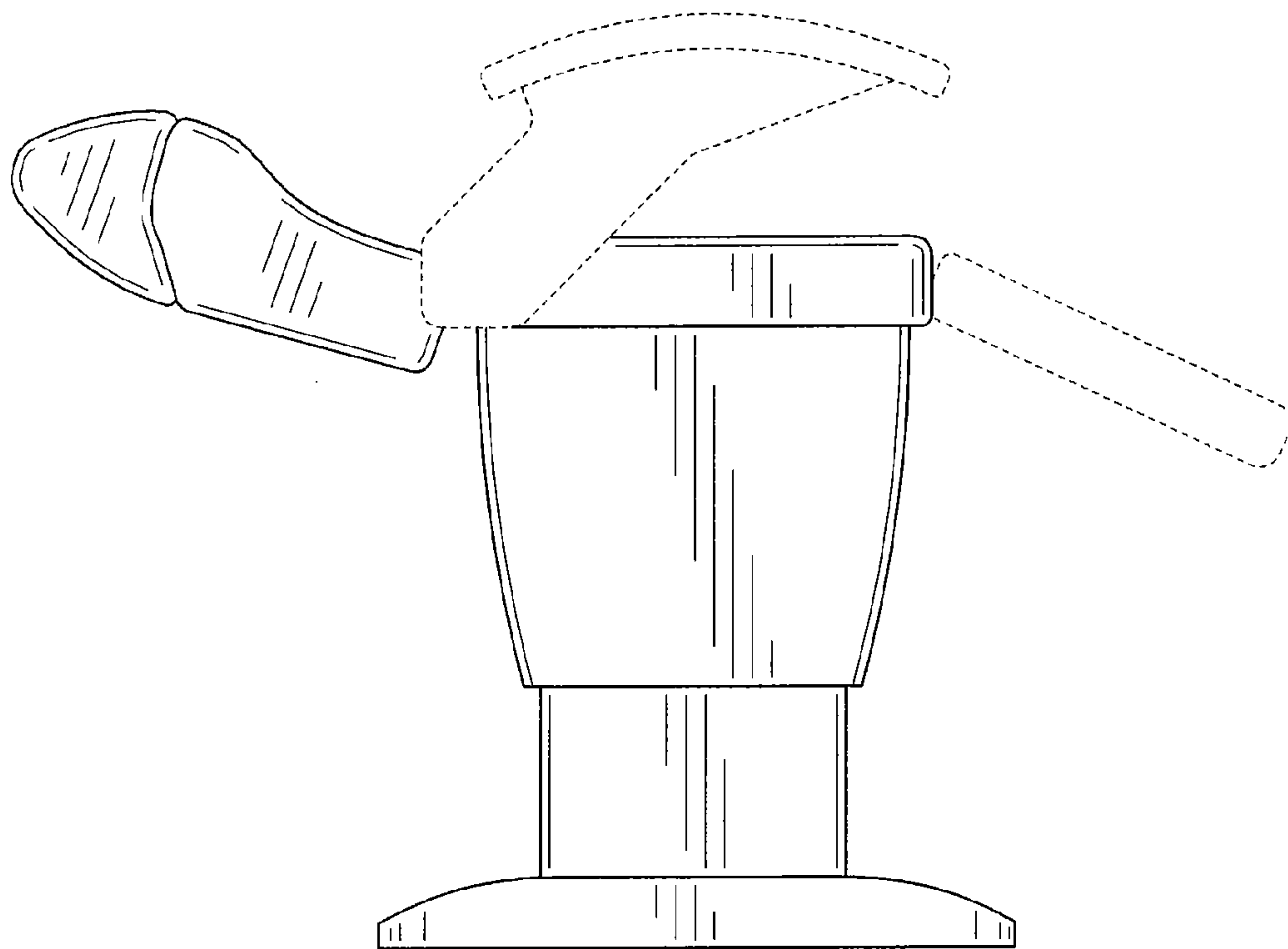


FIG. 5

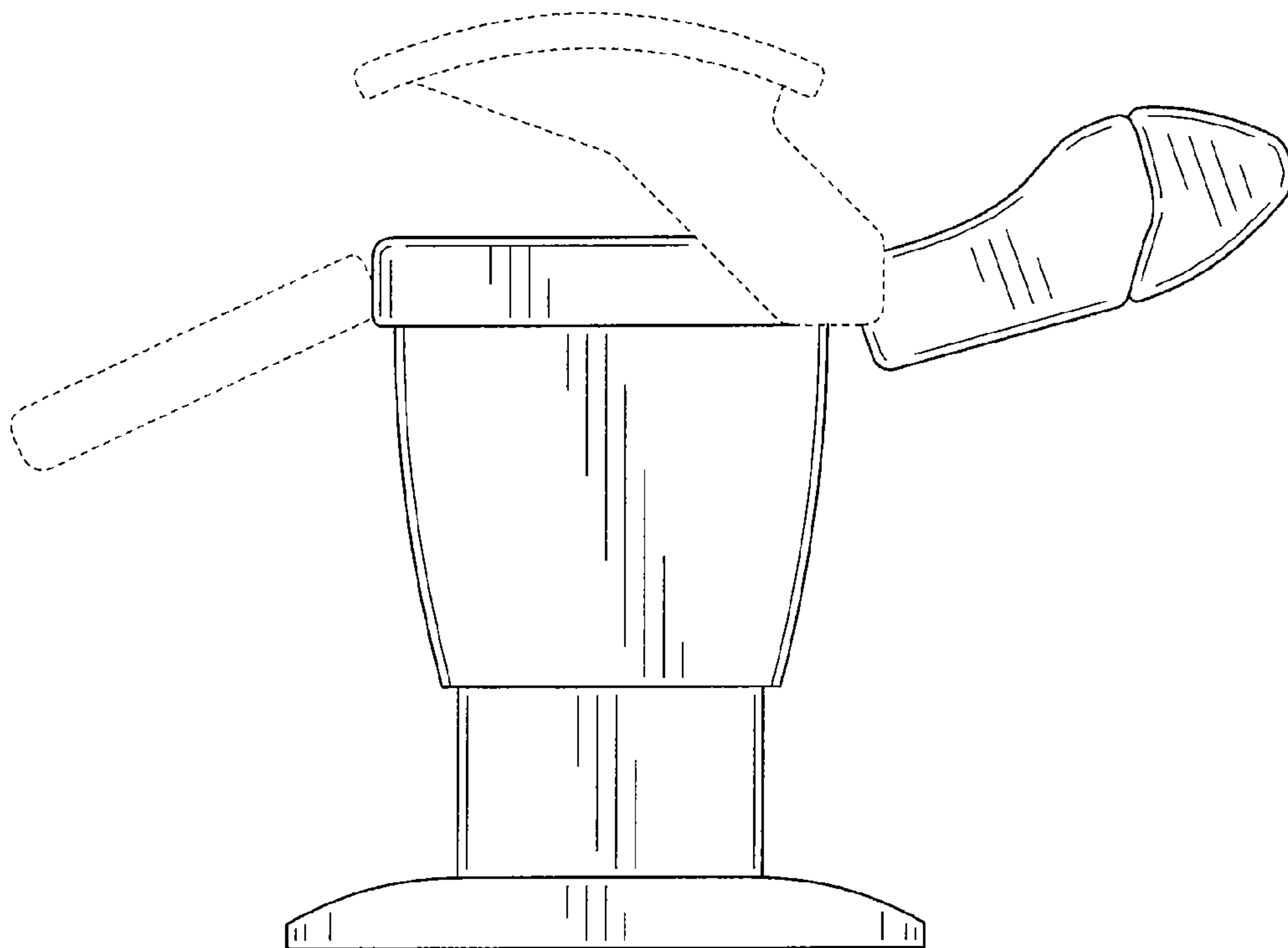


FIG. 6

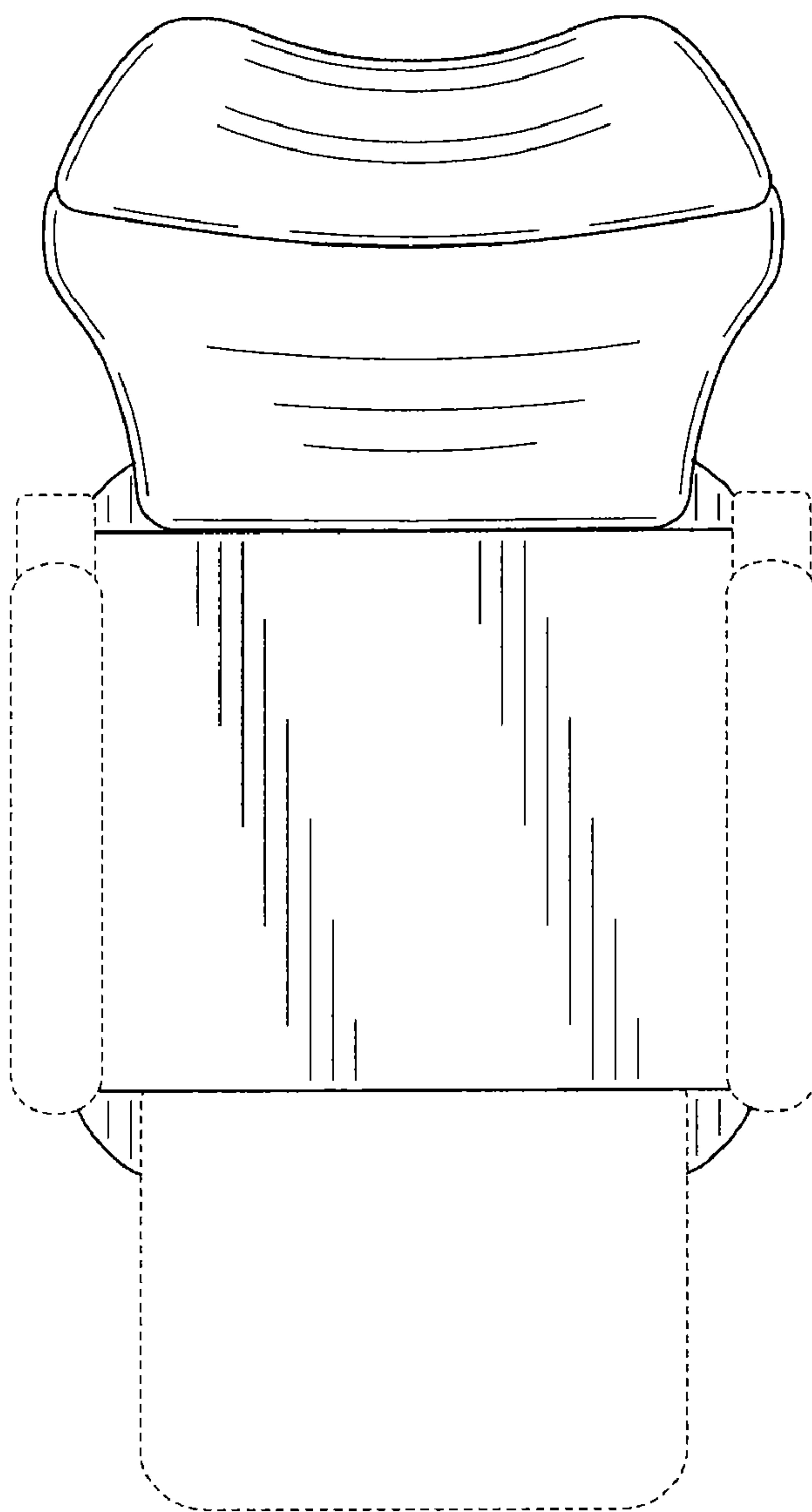


FIG. 7

