



US00D678678S

(12) **United States Design Patent**
Santy et al.

(10) **Patent No.:** **US D678,678 S**
(45) **Date of Patent:** **** Mar. 26, 2013**

(54) **LUGGAGE HANDLE**

(75) Inventors: **Dirk Santy**, Koekelare (BE); **Joris Smeuninx**, Gent (BE); **George Teixeira**, Warren, RI (US)

(73) Assignee: **Samsonite IP Holdings S.a r.l.**, Luxembourg (LU)

(**) Term: **14 Years**

(21) Appl. No.: **29/377,383**

(22) Filed: **Oct. 20, 2010**

(51) **LOC (9) Cl.** **03-01**

(52) **U.S. Cl.** **D3/318**

(58) **Field of Classification Search** 190/39, 190/115-118; 383/6, 7; D3/276, 279, 280, D3/289, 291, 318, 327; 229/117.12, 117.22; 16/902, 114.1, 410

See application file for complete search history.

(56) **References Cited**

U.S. PATENT DOCUMENTS

1,808,375	A	6/1931	Plooster	
1,908,926	A	5/1933	Severance	
2,059,621	A	11/1936	Belcher	
2,277,976	A	3/1942	Helmenstine	
2,394,782	A *	2/1946	Kalske	294/141
2,723,027	A	11/1955	Guyer	

(Continued)

FOREIGN PATENT DOCUMENTS

DE	3205340	A1	8/1983
DE	8428169.3	U1	11/1984

(Continued)

OTHER PUBLICATIONS

Author Unknown, "Airport Security", Feb. 16, 2006, available at [http://web.archive.org/web/20060216002117/http://thinktankphoto.com/ttp_product_ArprtScrty.php\(chart;follow](http://web.archive.org/web/20060216002117/http://thinktankphoto.com/ttp_product_ArprtScrty.php(chart;follow) Next and better set of pictures, 17 pages.

(Continued)

Primary Examiner — Jennifer Rivard

(74) *Attorney, Agent, or Firm* — Dorsey & Whitney LLP

(57) **CLAIM**

The ornamental design for a luggage handle, as shown and described.

DESCRIPTION

FIG. 1 is a front perspective view of a luggage handle, the luggage handle shown on a luggage case; FIG. 2 is a back perspective view of the luggage handle of FIG. 1;

FIG. 3 is a front elevation view of the luggage handle of FIG. 1;

FIG. 4 is a top view of the luggage handle of FIG. 1;

FIG. 5 is a right elevation view of the luggage handle of FIG. 1;

FIG. 6 is a front perspective view of a luggage handle, the luggage handle shown on a luggage case;

FIG. 7 is a back perspective view of the luggage handle of FIG. 6;

FIG. 8 is a front elevation view of the luggage handle of FIG. 6;

FIG. 9 is a top view of the luggage handle of FIG. 6;

FIG. 10 is a right elevation view of the luggage handle of FIG. 6;

FIG. 11 is a front perspective view of a luggage handle, the luggage handle shown on a luggage case;

FIG. 12 is a back perspective view of the luggage handle of FIG. 11;

FIG. 13 is a front elevation view of the luggage handle of FIG. 11;

FIG. 14 is a top view of the luggage handle of FIG. 11;

FIG. 15 is a right elevation view of the luggage handle of FIG. 11;

FIG. 16 is a front perspective view of a luggage handle, the luggage handle shown on a luggage case;

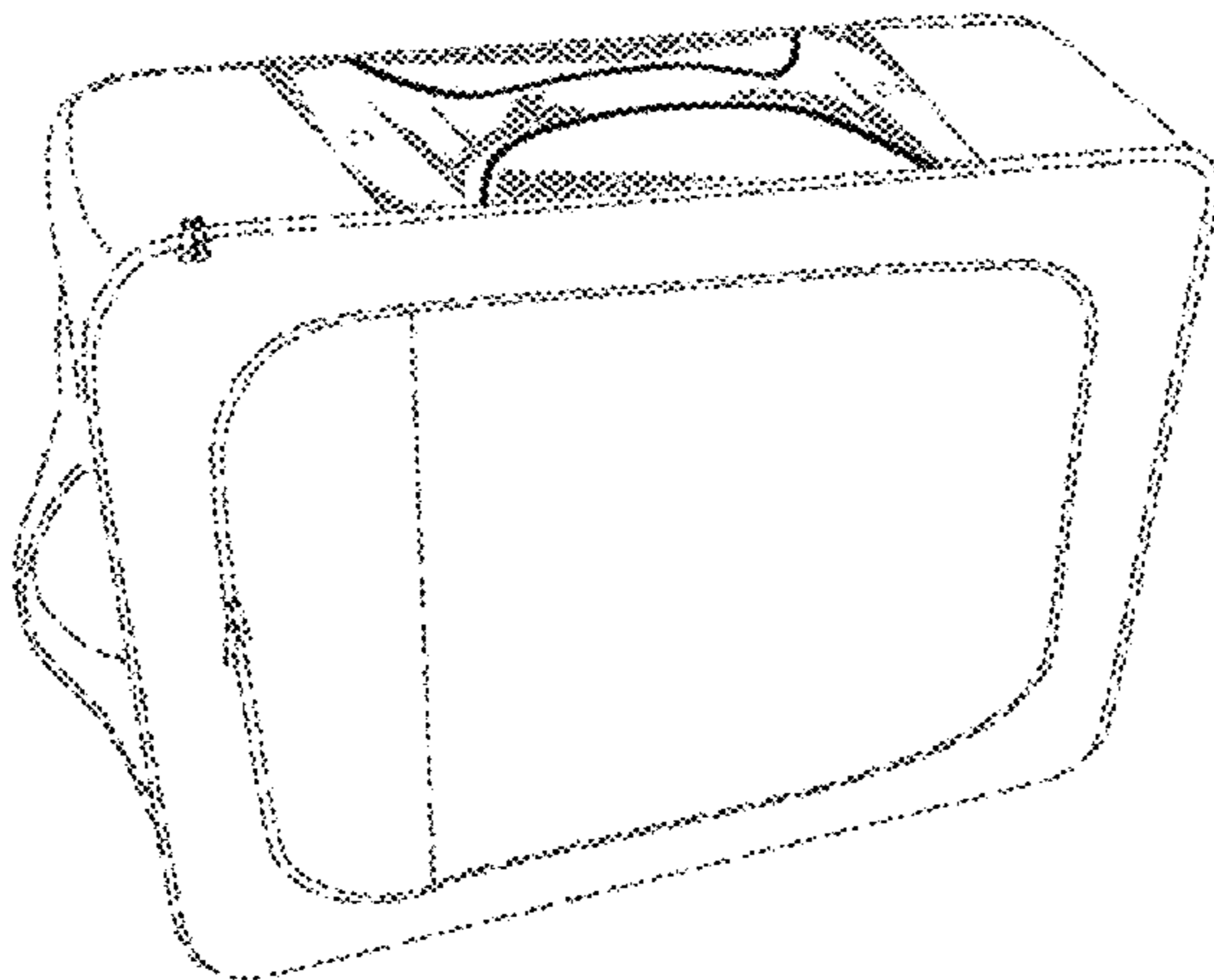
FIG. 17 is a back perspective view of the luggage handle of FIG. 16;

FIG. 18 is a front elevation view of the luggage handle of FIG. 16;

FIG. 19 is a top view of the luggage handle of FIG. 16; and, FIG. 20 is a right elevation view of the luggage handle of FIG. 16.

The rear and left elevation views are mirror images of the front and right elevation views, respectively. The dashed lines in FIGS. 1-20 show the environment and boundaries of the luggage handle and form no part of the claimed invention. The mesh pattern is fragmentarily shown for convenience of illustration. With the exception of riveting and piping, it is understood that the pattern is uniformly continuous over the surface of the handle. The rivets on the third and fourth embodiments are flat; the shading thereon illustrates the circular shape.

1 Claim, 8 Drawing Sheets



US D678,678 S

Page 2

U.S. PATENT DOCUMENTS

2,868,433	A	1/1959	Anderson, Jr.	
4,298,104	A	11/1981	Leong	
4,436,244	A	3/1984	Morris	
4,539,705	A *	9/1985	Baines	383/21
4,573,203	A	2/1986	Peppiatt	
4,782,556	A	11/1988	Kim	
D302,077	S	7/1989	Kim	
4,867,575	A	9/1989	Wood	
4,874,255	A	10/1989	Ball et al.	
4,874,256	A *	10/1989	Baines	383/21
D315,285	S	3/1991	Workman	
5,036,978	A	8/1991	Frank et al.	
5,054,619	A *	10/1991	Muckenfuhs	206/494
5,071,260	A	12/1991	Poppe et al.	
5,121,995	A	6/1992	Newman et al.	
5,252,161	A	10/1993	Chang et al.	
5,282,687	A	2/1994	Yee	
5,427,241	A	6/1995	Sutherland	
D368,371	S	4/1996	Calmeise	
D372,796	S *	8/1996	Ferris	D3/282
D380,298	S	7/1997	Ferris	
D419,853	S	2/2000	Workman et al.	
6,044,879	A	4/2000	Ray	
6,098,768	A	8/2000	Tsai	
6,109,404	A	8/2000	Bishop	
D437,202	S	2/2001	O'Neil	
6,247,203	B1 *	6/2001	Kuo	16/113.1
6,302,319	B1	10/2001	Peeples et al.	
D456,135	S *	4/2002	Shapiro	D3/303
D460,618	S	7/2002	Szyf	
D460,677	S	7/2002	Proot et al.	
D461,055	S	8/2002	Szyf	
D468,534	S	1/2003	Crandall	
6,502,677	B1	1/2003	Tiramani et al.	
6,612,413	B2	9/2003	Kuwayama	
6,874,604	B2 *	4/2005	Miller et al.	190/39
D507,734	S	7/2005	Willems	
D526,784	S *	8/2006	Proot	D3/318
D528,301	S	9/2006	Proot et al.	
D554,372	S	11/2007	Scicluna et al.	
D571,103	S *	6/2008	Simonian et al.	D3/282
D600,095	S	9/2009	Mattson et al.	
7,690,503	B2	4/2010	Foster et al.	
7,806,314	B2	10/2010	Sutherland	
7,909,161	B2	3/2011	Sween et al.	
D639,063	S *	6/2011	Benoit	D3/289
D643,214	S *	8/2011	Weedon et al.	D3/276
8,032,986	B2 *	10/2011	Lawrence	16/114.1
D650,584	S *	12/2011	Kim	D3/289
2001/0034923	A1	11/2001	Ho	
2001/0037923	A1 *	11/2001	Godshaw	190/110
2003/0099503	A1	5/2003	Moor	
2004/0070242	A1 *	4/2004	Illulian	297/219.1

2004/0182667	A1	9/2004	Lin	
2005/0263364	A1	12/2005	Sher	
2006/0064852	A1	3/2006	Willems	
2006/0137951	A1	6/2006	Lai	
2008/0199107	A1 *	8/2008	Nicholson	383/7
2009/0022430	A1	1/2009	Hutchison et al.	
2011/0088987	A1 *	4/2011	Santy et al.	190/115

FOREIGN PATENT DOCUMENTS

DE	20300644	U1	5/2004
DE	202005013492	U1	1/2006
EM	0553693	A2	8/1993
EM	000036710-0006		5/2003
EM	000036710-0007		5/2003
EM	000036710-0009		5/2003
EM	001625757-0001		10/2009
EM	001199392-0002		3/2010
EM	001199392-0003		3/2010
EM	001241350-0001		10/2010
EM	001241350-0002		10/2010
EM	001241368-0001		10/2010
EM	001245369-0001		11/2010
EM	001245369-0002		11/2010
EM	001261903-0001		2/2011
EM	001261903-0002		2/2011
EM	001261903-0003		2/2011
EM	001261903-0004		2/2011
EM	001901539-0001		8/2011
EM	001905993-0001		9/2011
EM	001935743-0001		10/2011
EM	001935743-0002		10/2011
EM	001935743-0003		10/2011
EM	001947599-0001		11/2011
EM	001947599-0002		11/2011
EM	001947599-0003		11/2011
EM	002024737-0001		4/2012
EM	002024737-0002		4/2012
EP	1777167	A1	4/2007
EP	2363037		9/2011
FK	2053590	A5	4/1971
FR	2013083	A1	3/1970
GB	3008506		11/2002
GB	3014894		10/2003
VN	2008038308	A1	4/2008
WO	9321078	A1	10/1993
WO	2008098116	A1	8/2008

OTHER PUBLICATIONS

Author Unknown, "Delsey Fiber Lite", (date unknown), 1 page.
 Author Unknown, Luggage Case Submitted by Saxoline/Navigator/
 Brington "Saxoline Luggage", (date unknown), 1 page.
 Author Unknown, "Travelite" catalog, 2007, 7 pages.

* cited by examiner

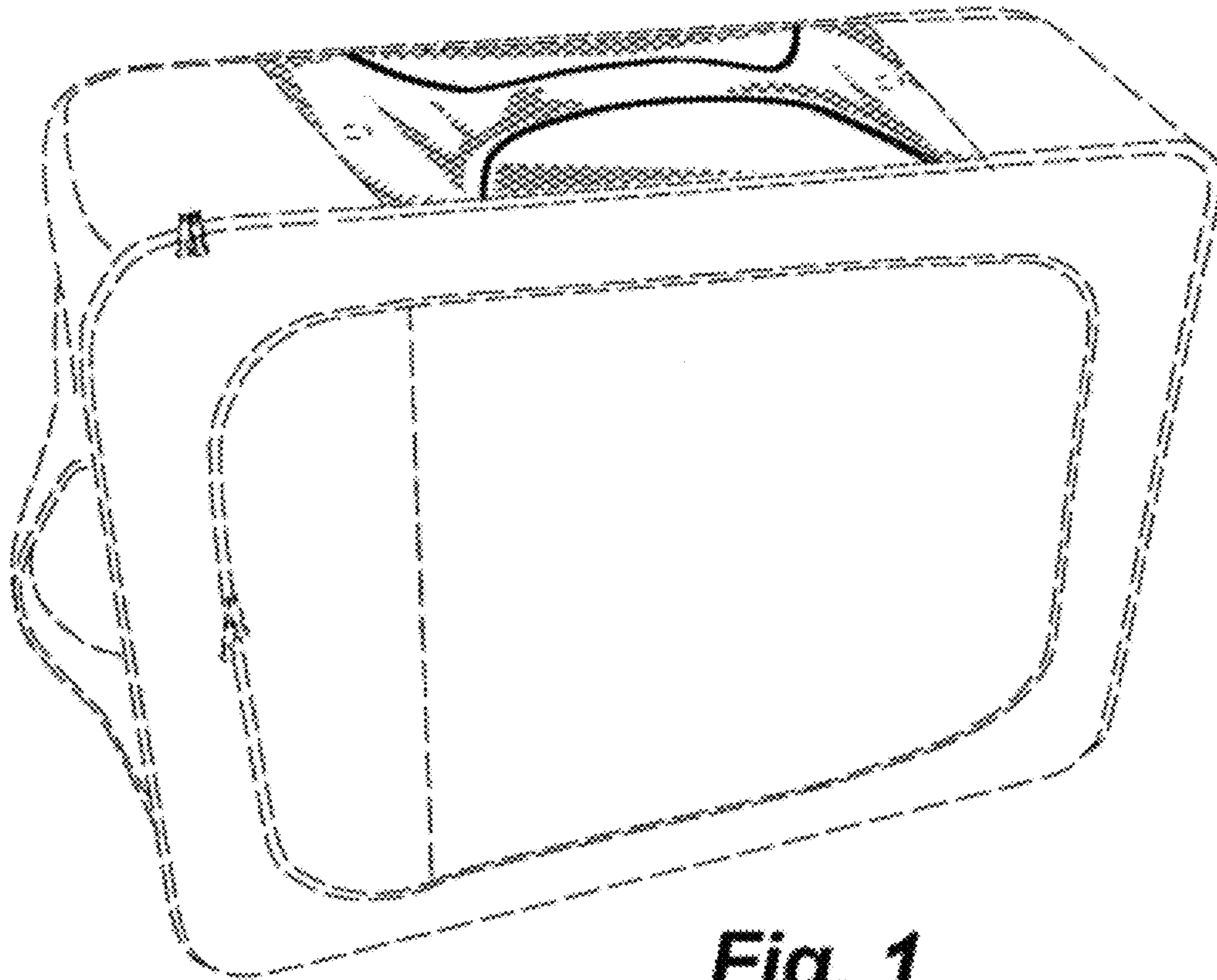


Fig. 1

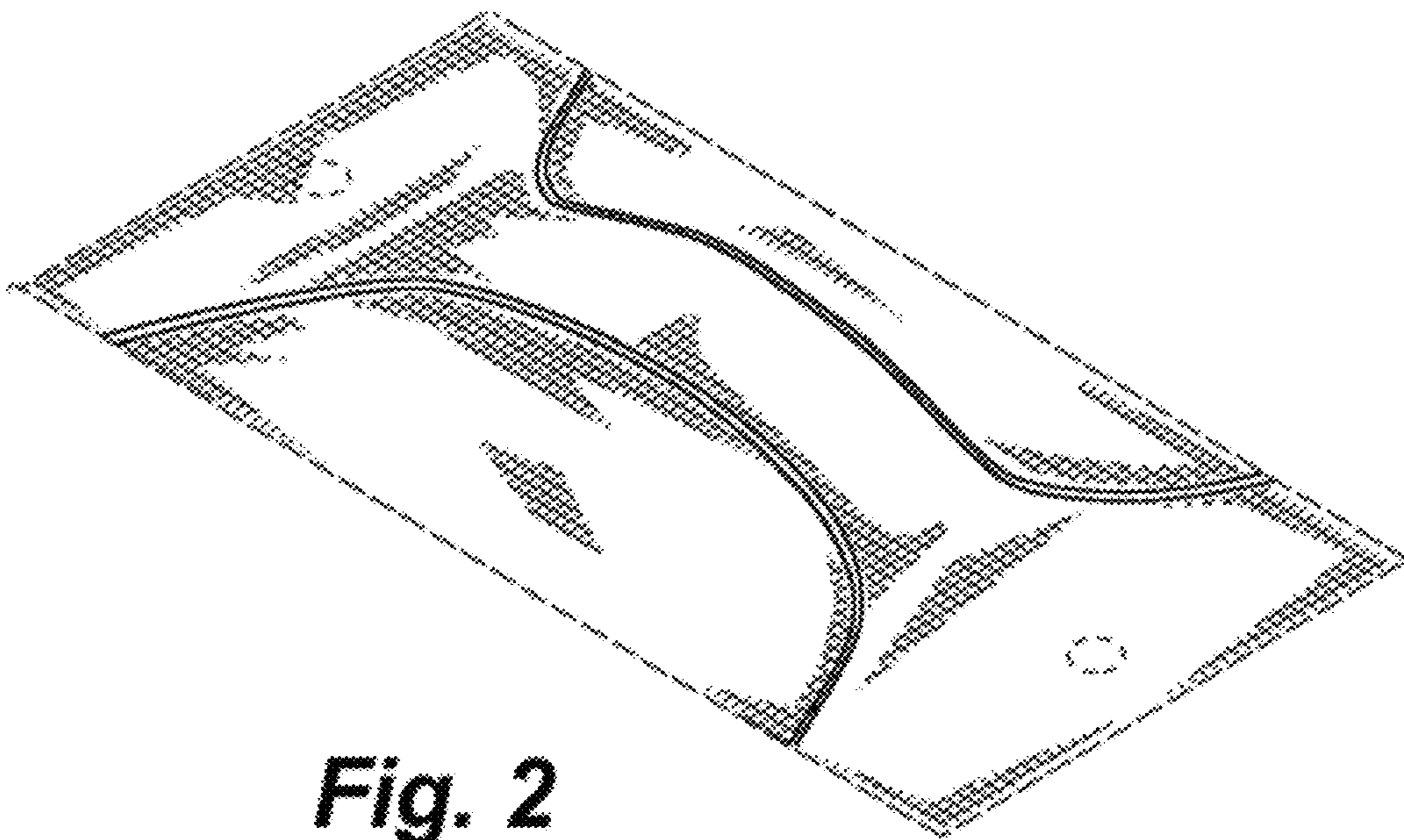


Fig. 2

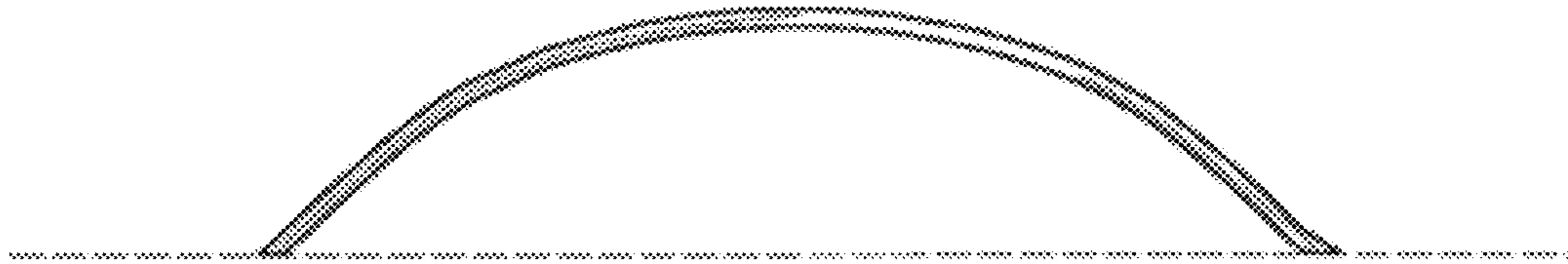


Fig. 3

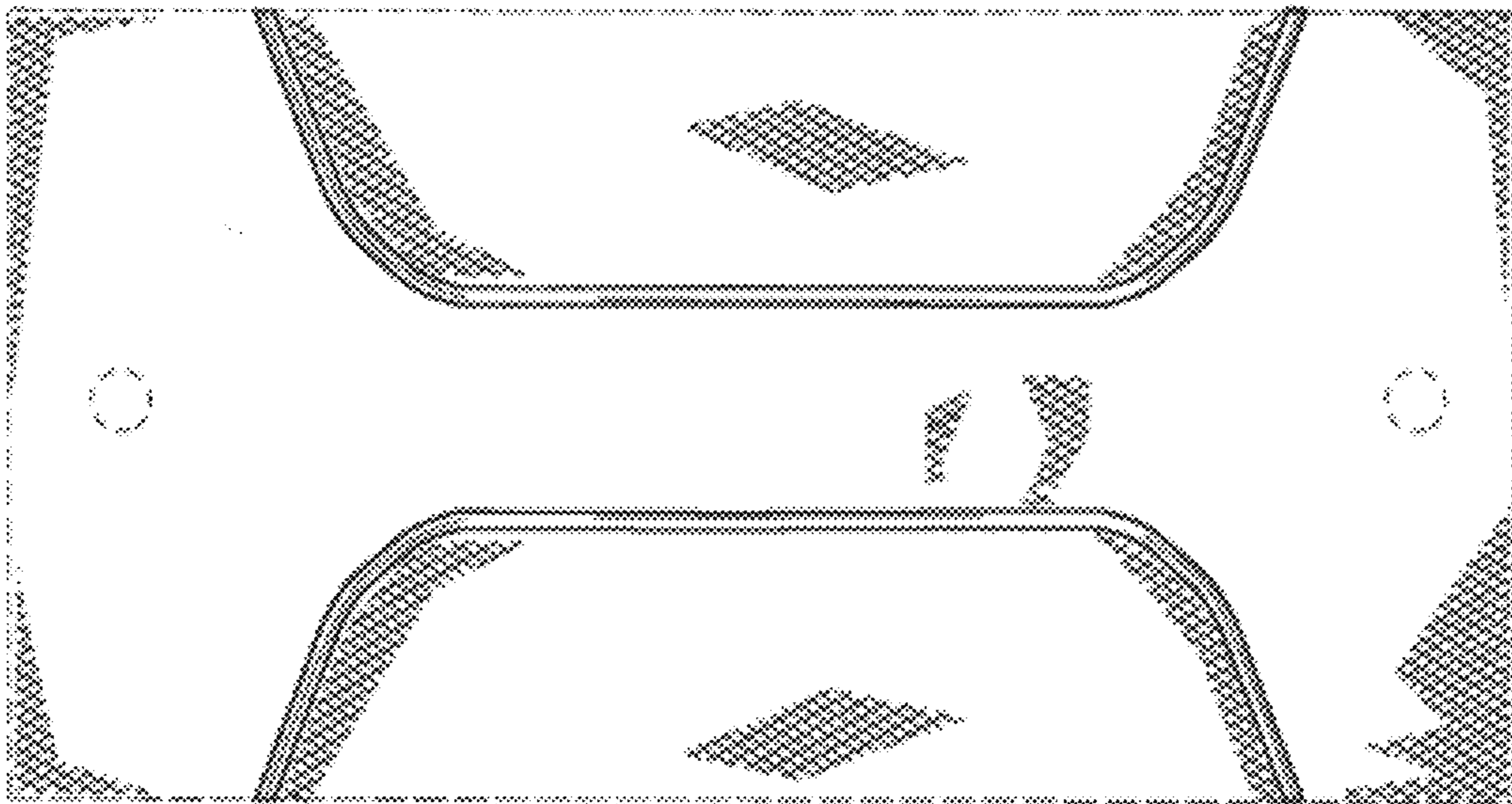


Fig. 4

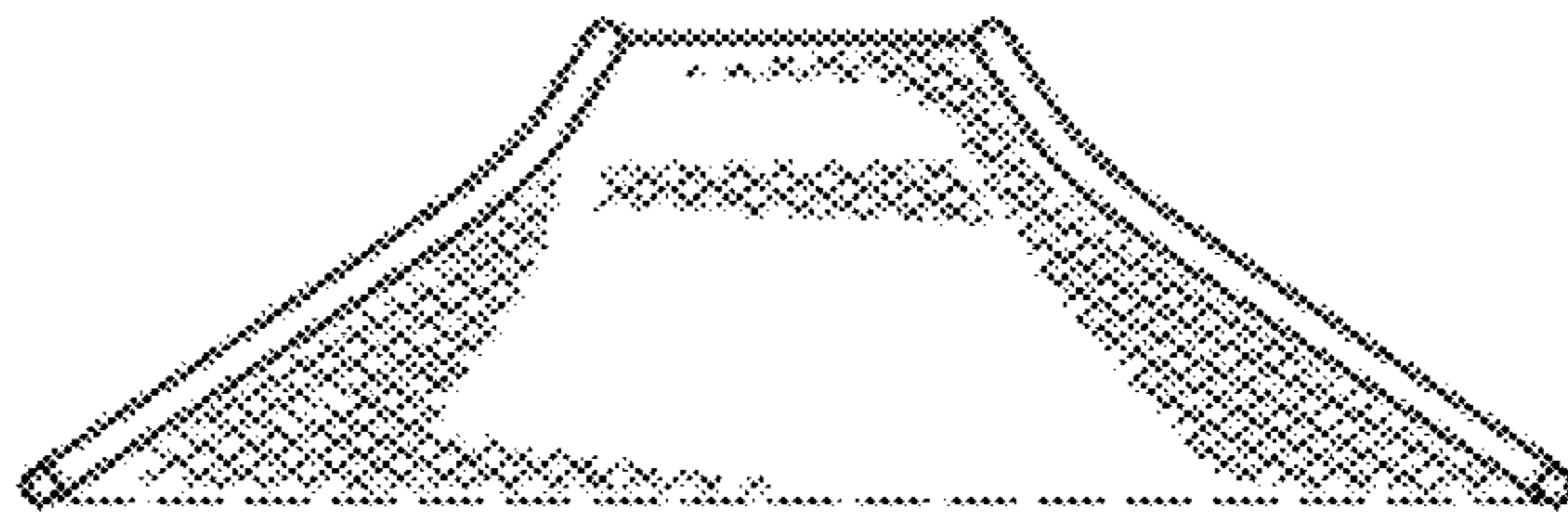


Fig. 5

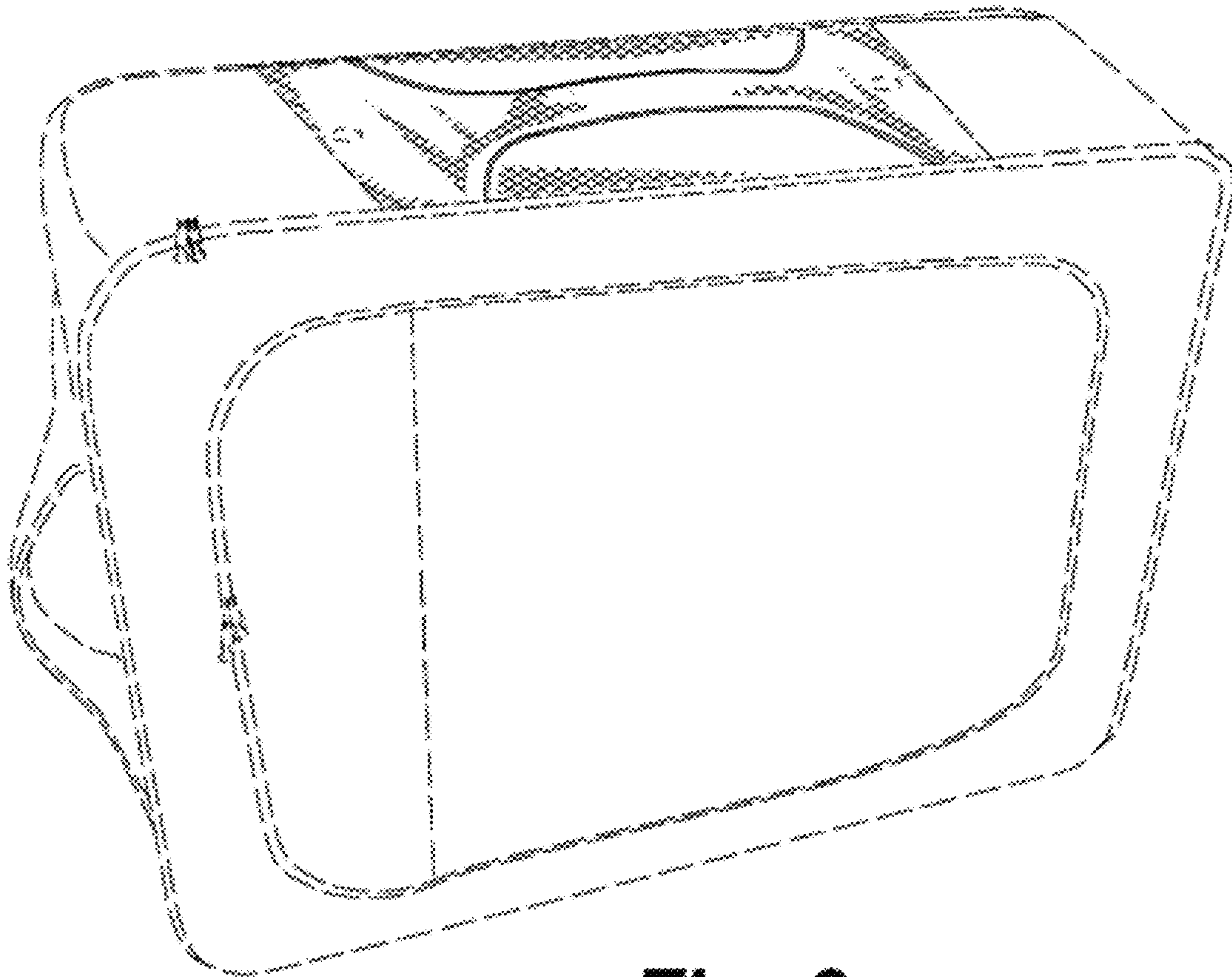


Fig. 6

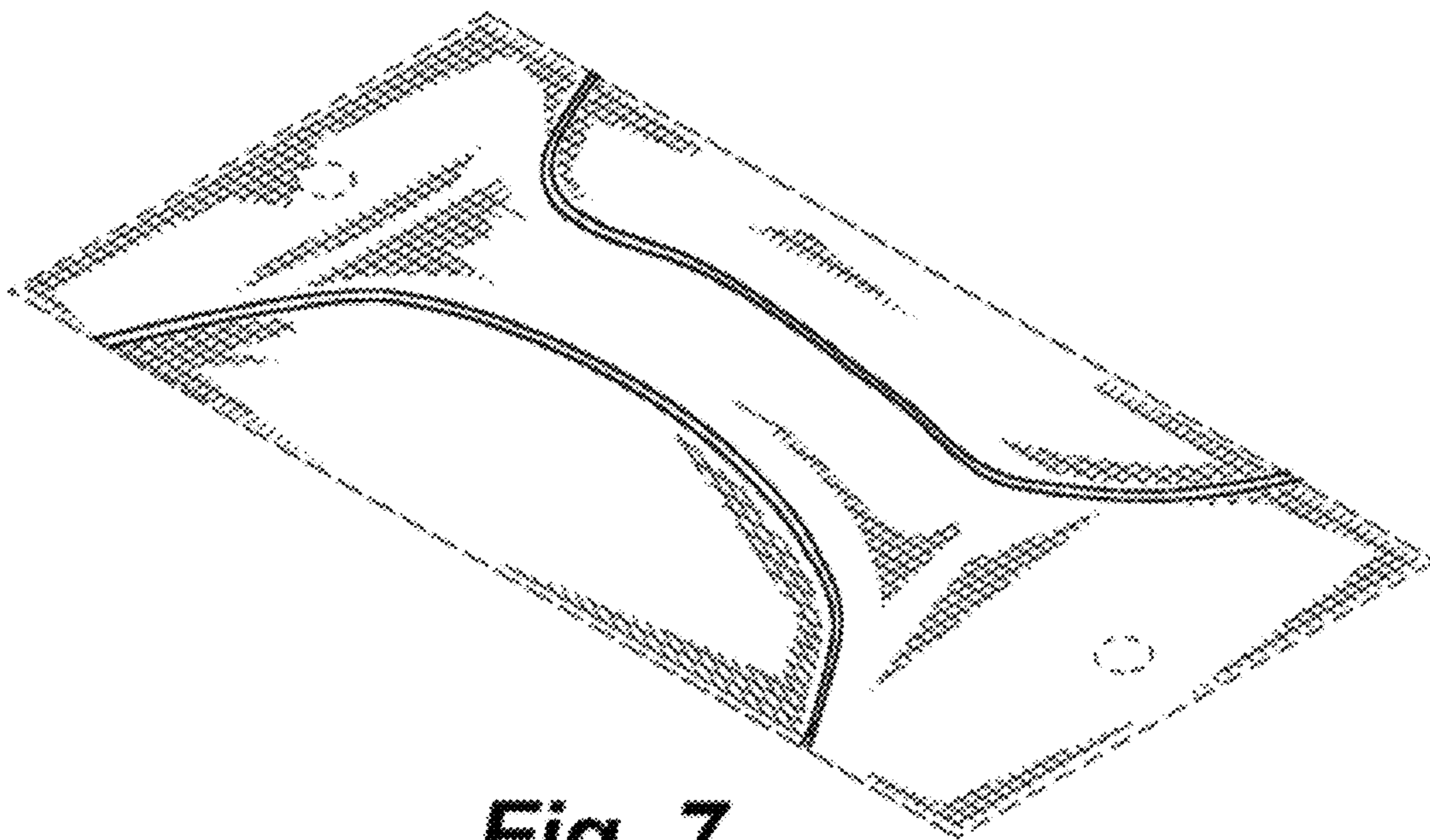


Fig. 7

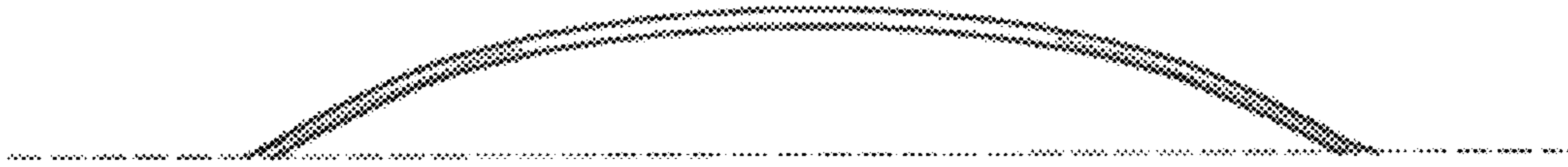


Fig. 8

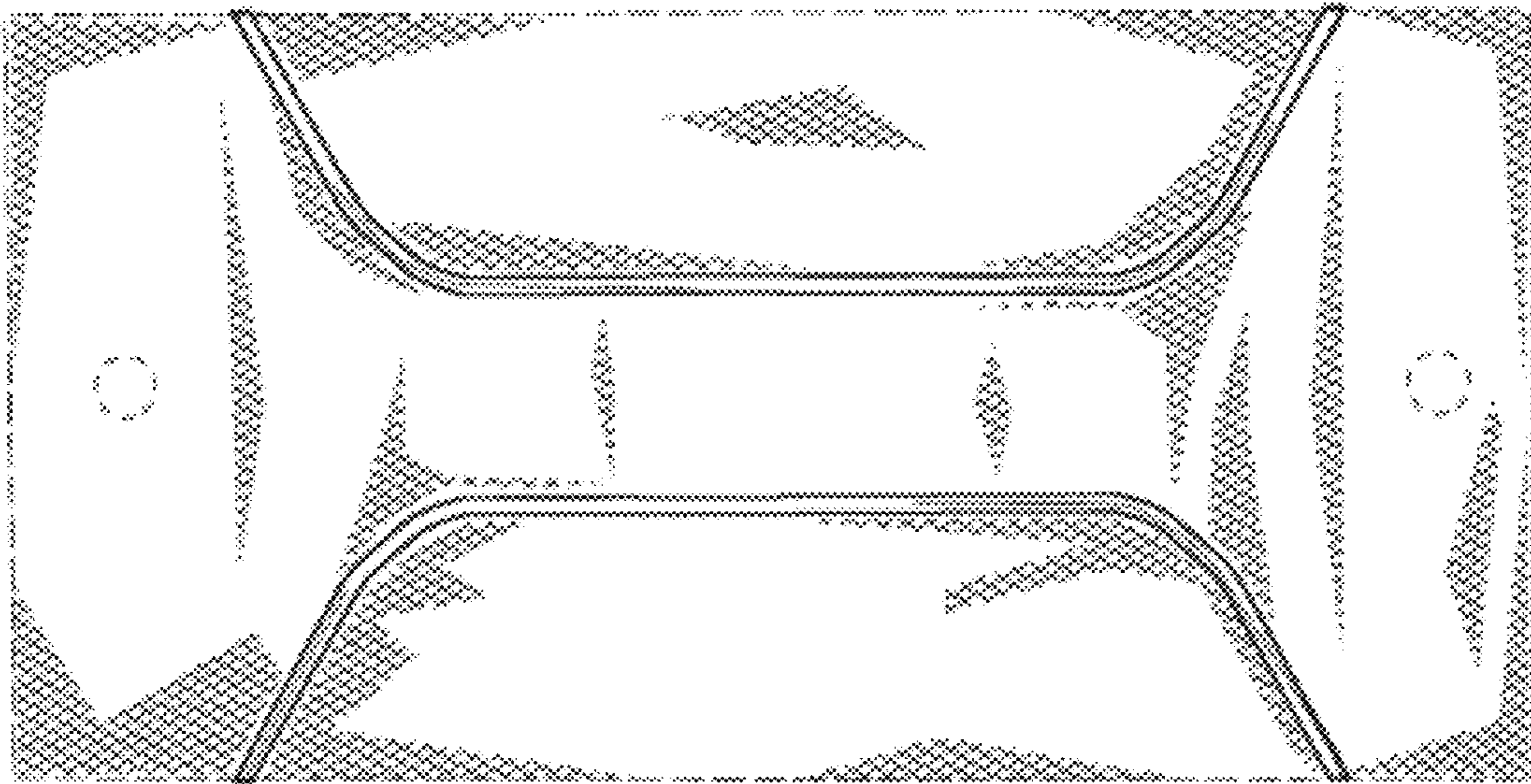


Fig. 9

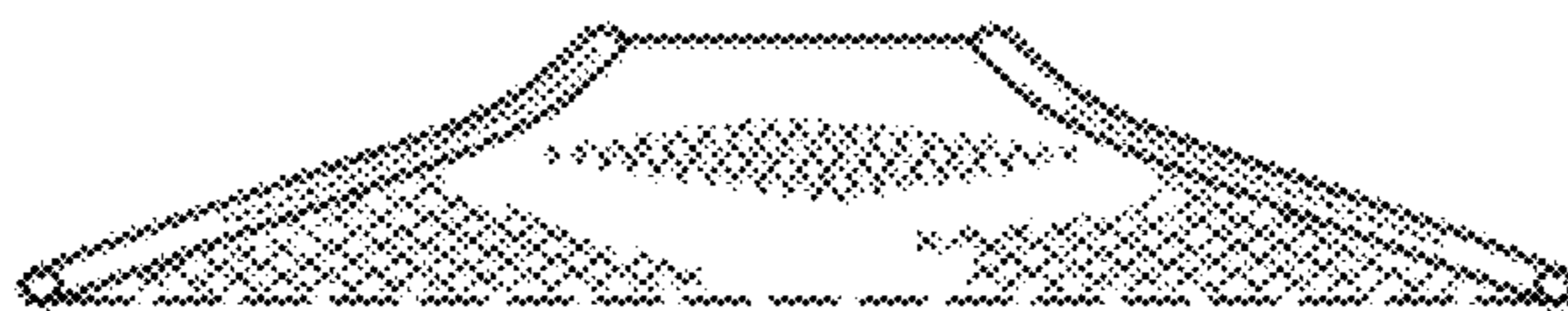


Fig. 10

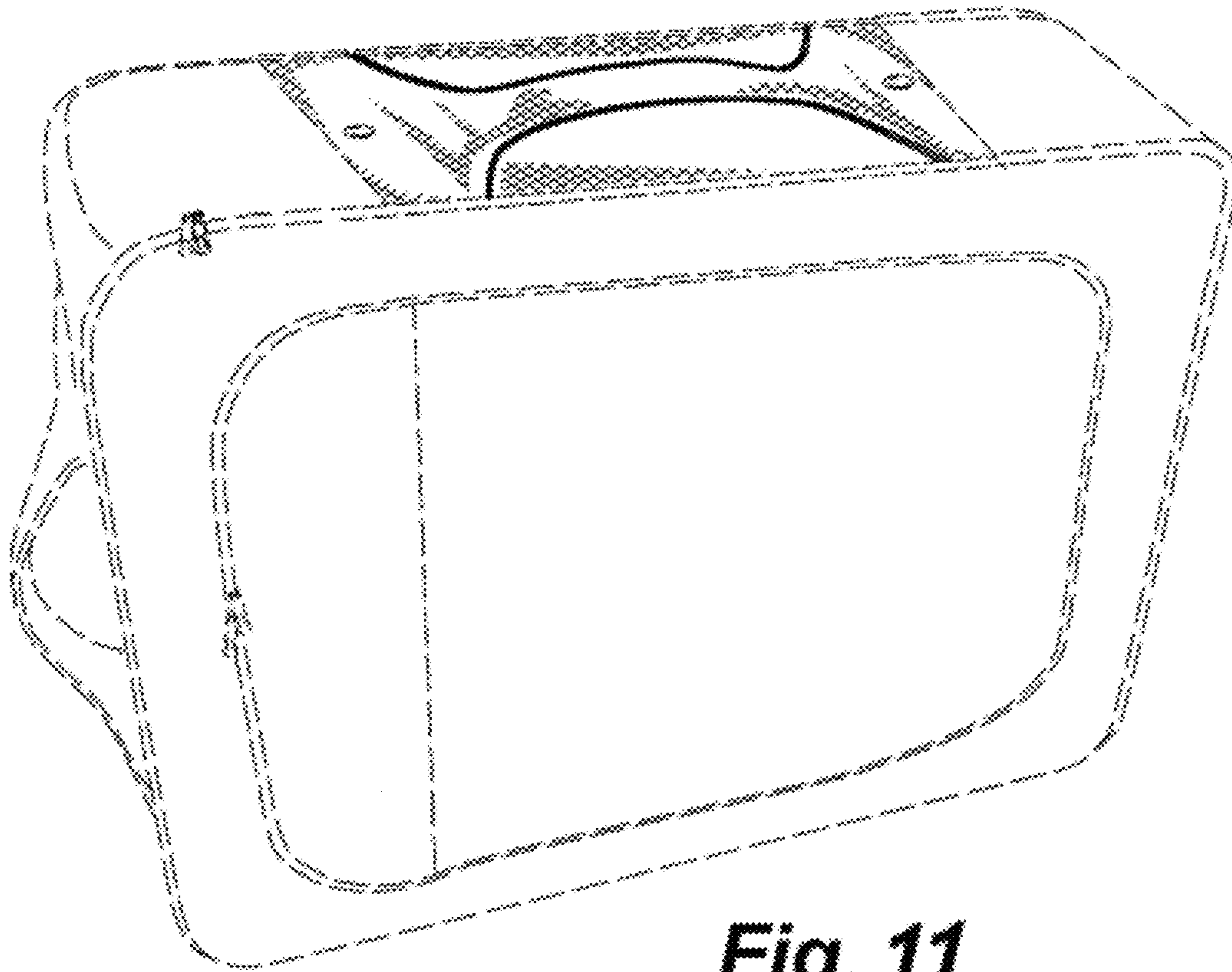


Fig. 11

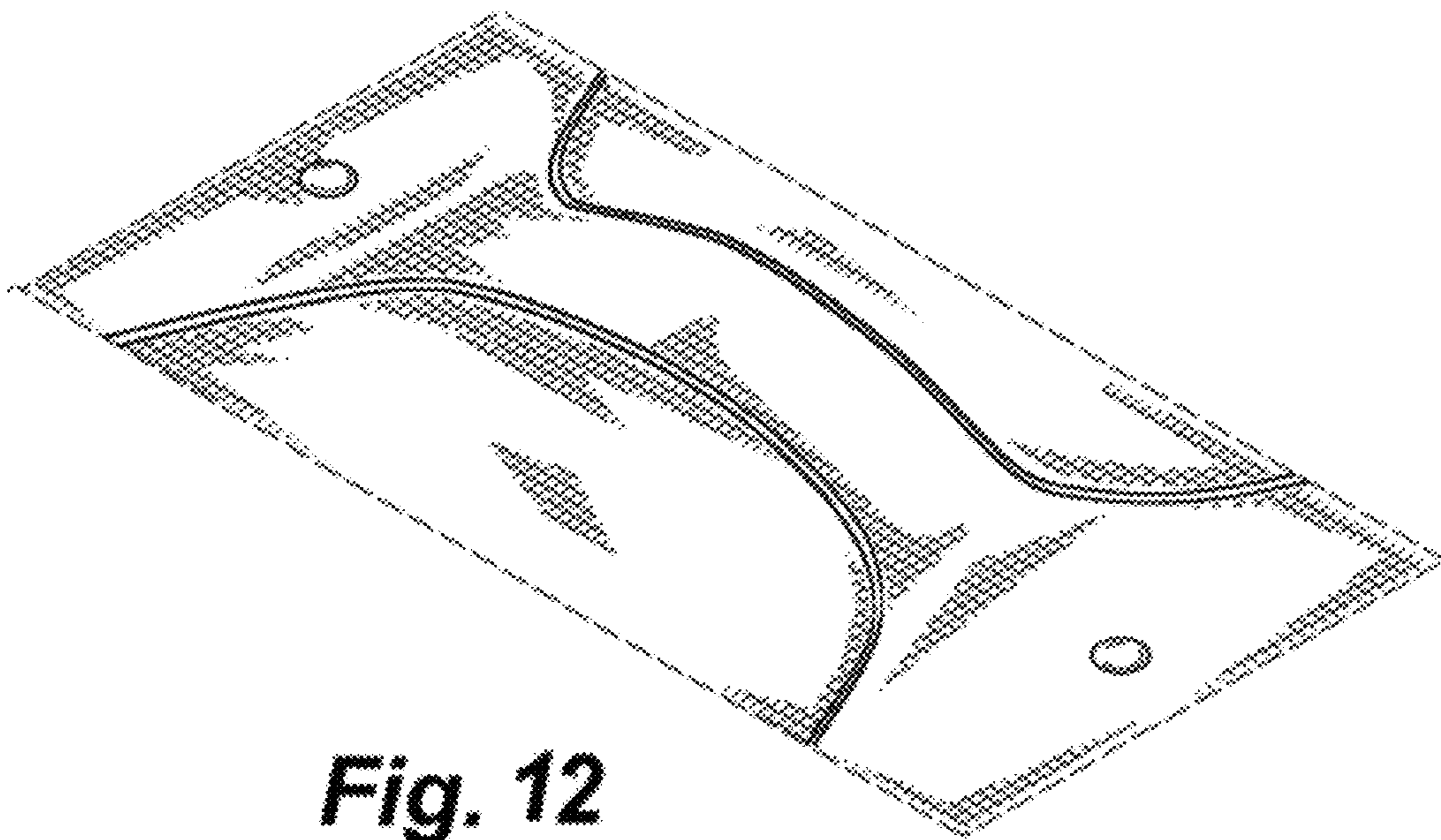


Fig. 12

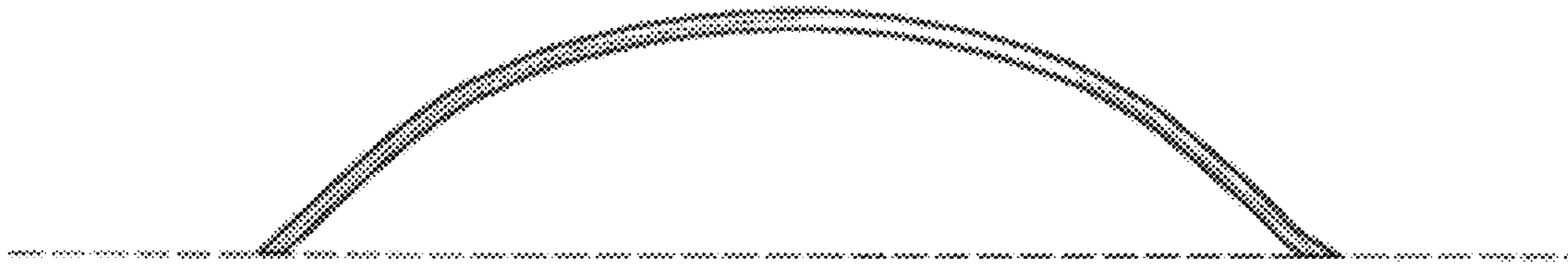


Fig. 13

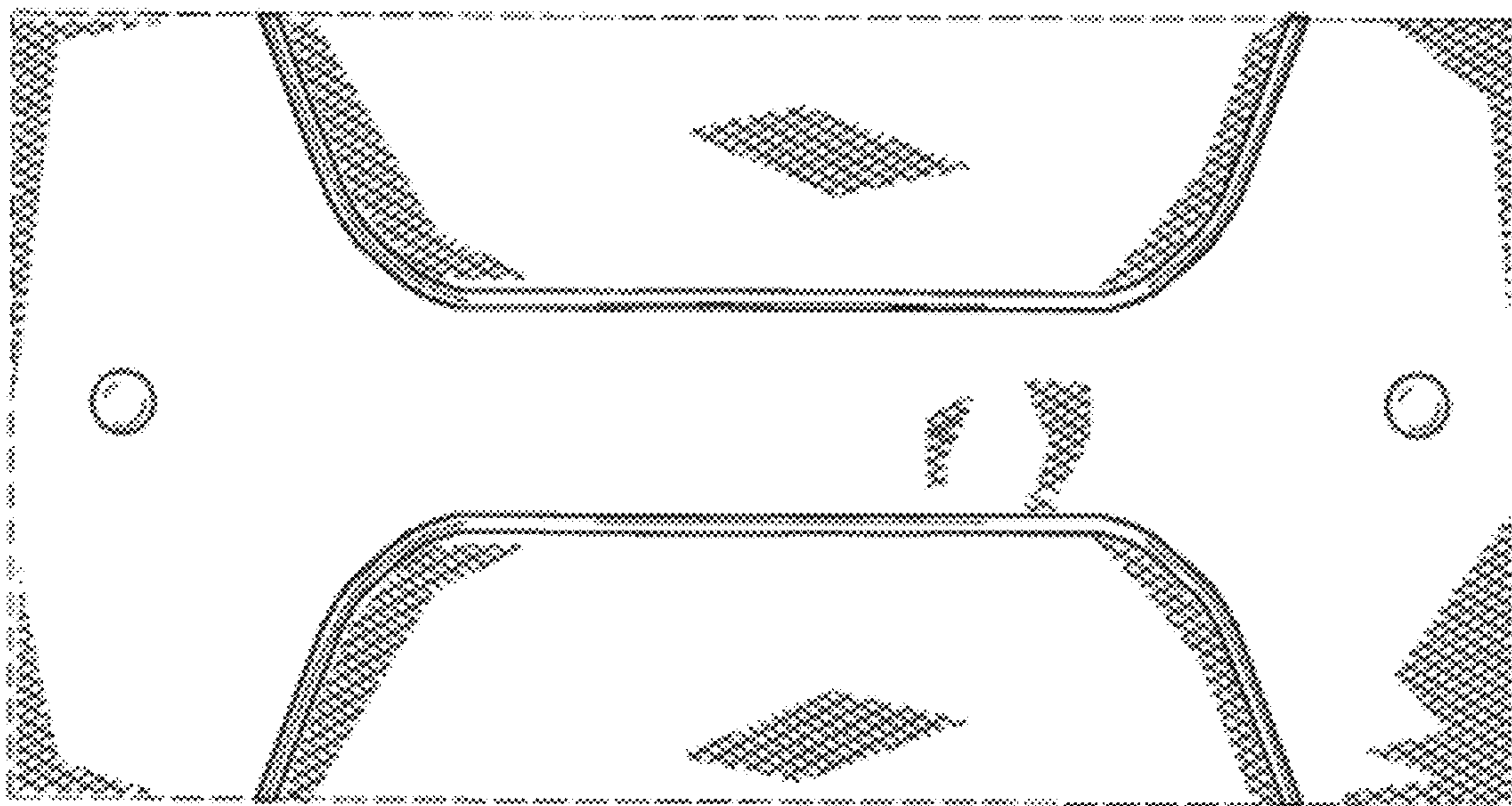


Fig. 14

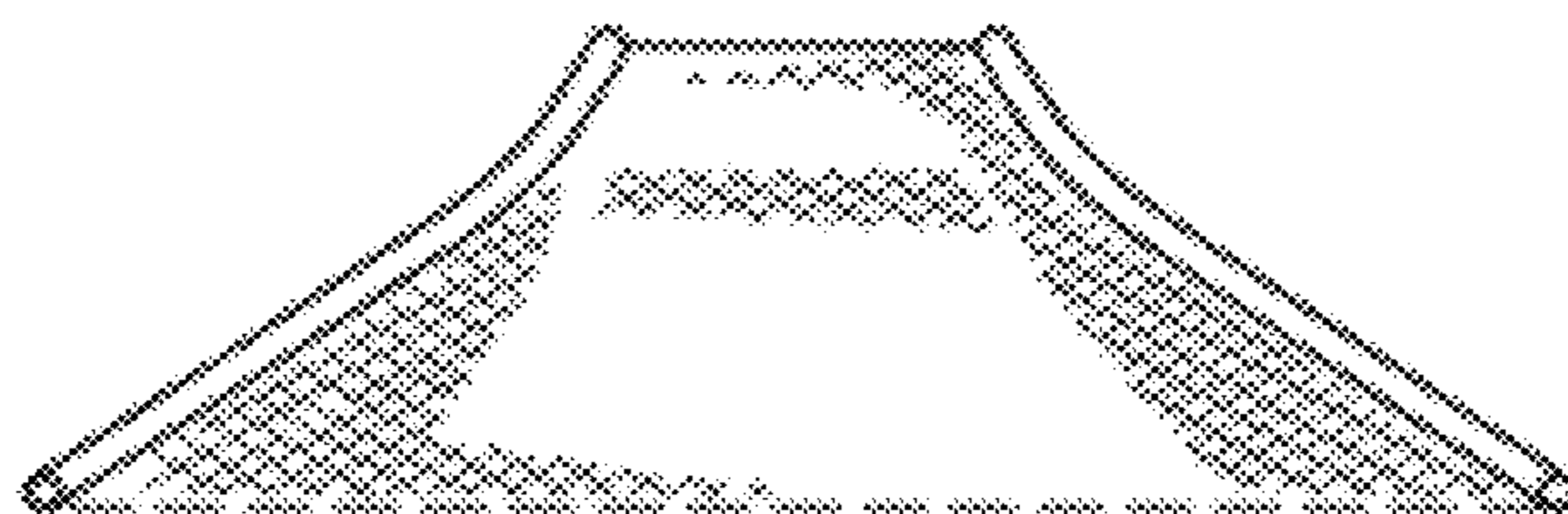


Fig. 15

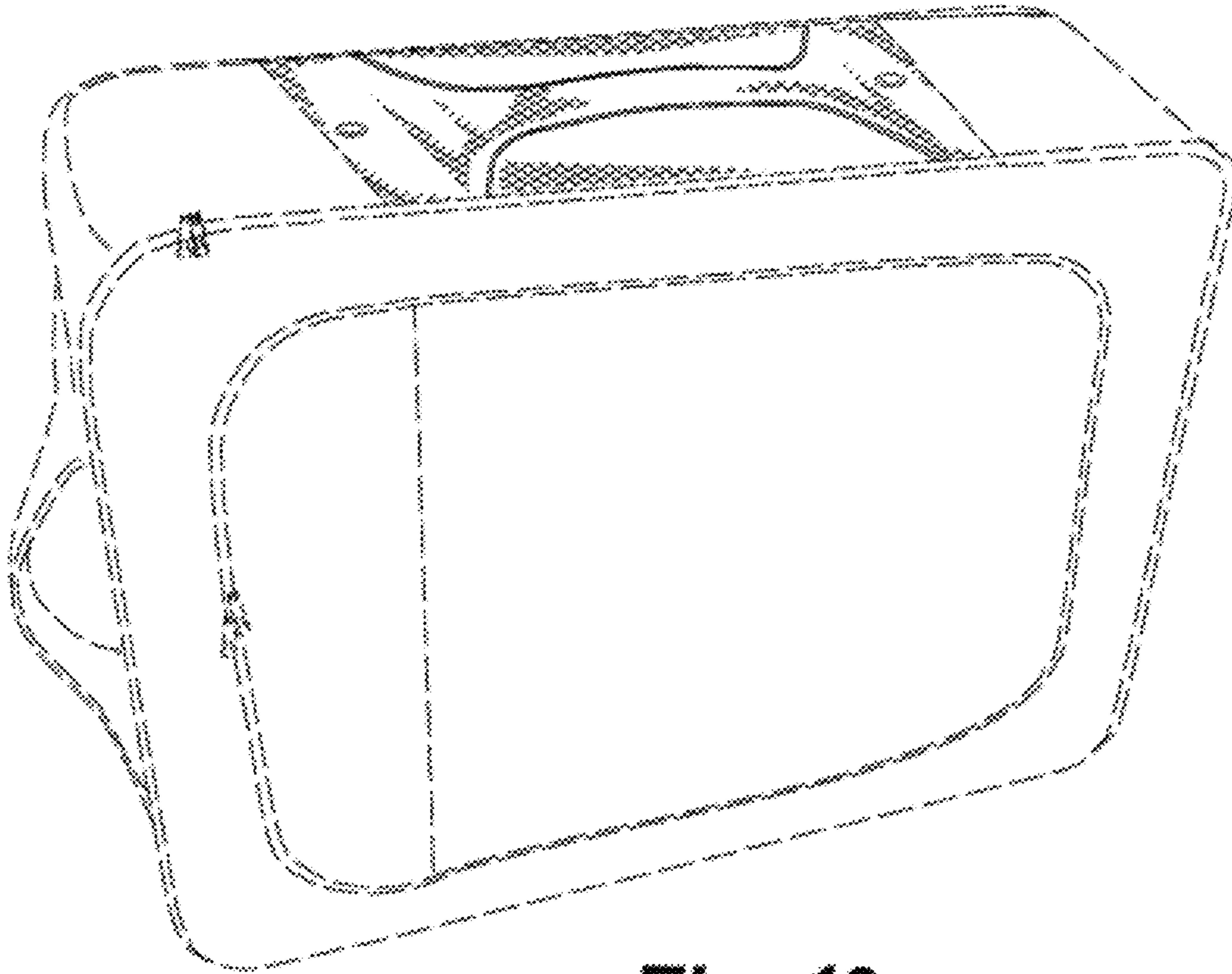


Fig. 16

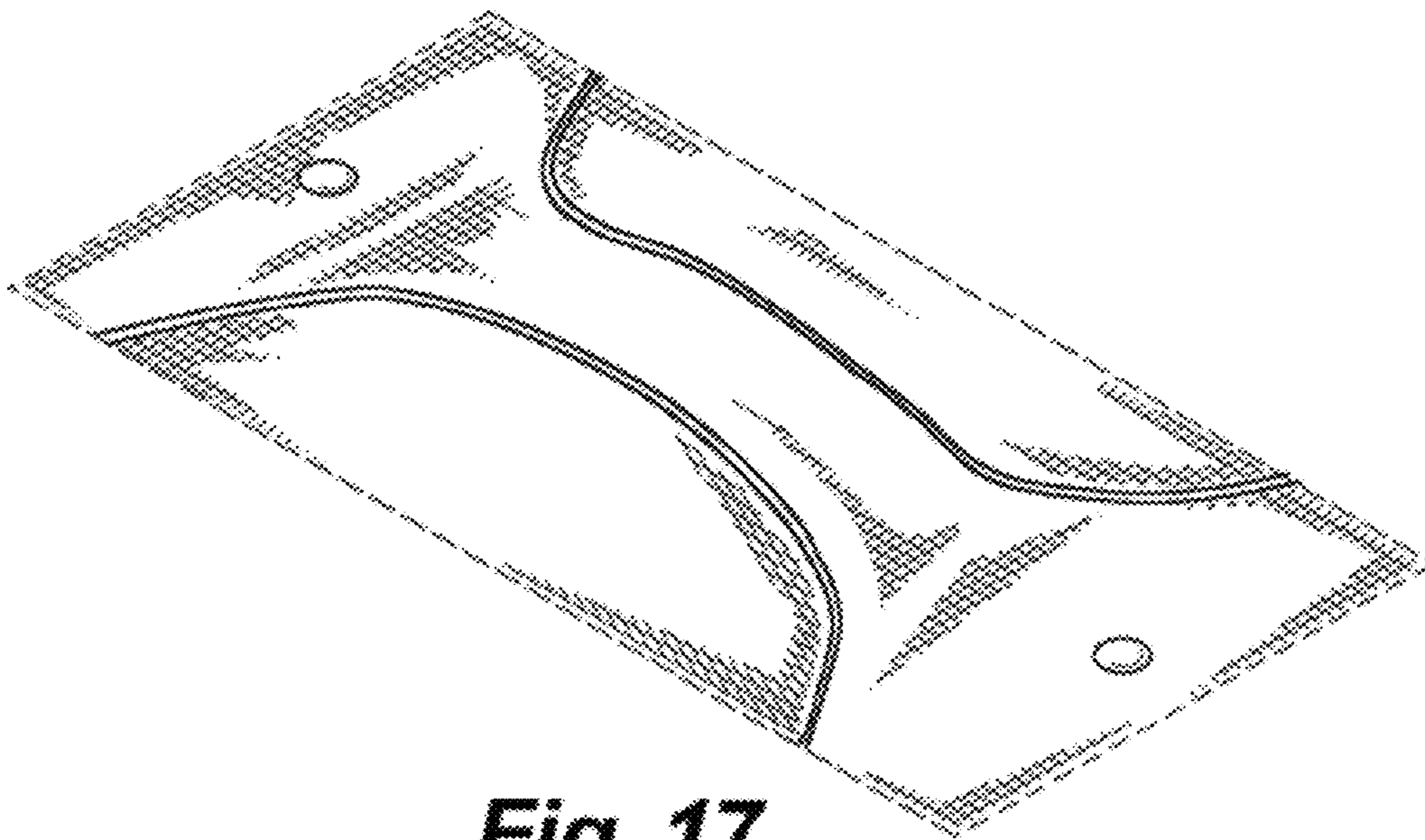


Fig. 17

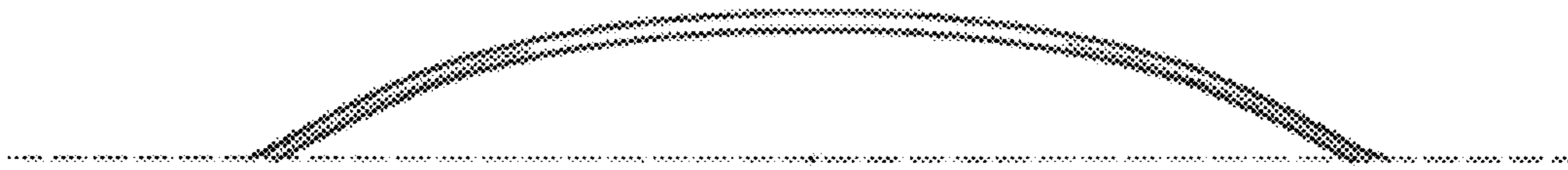


Fig. 18

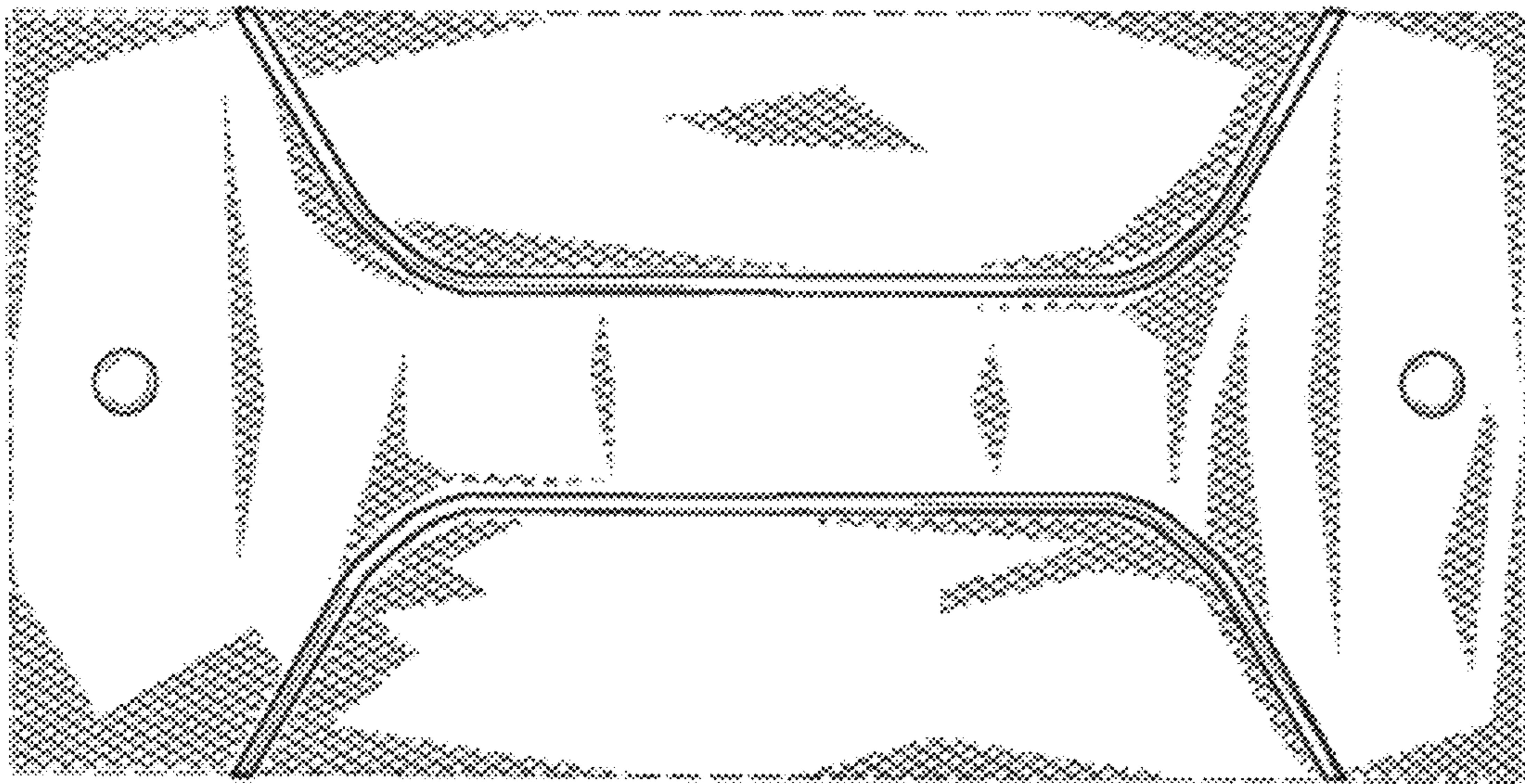


Fig. 19

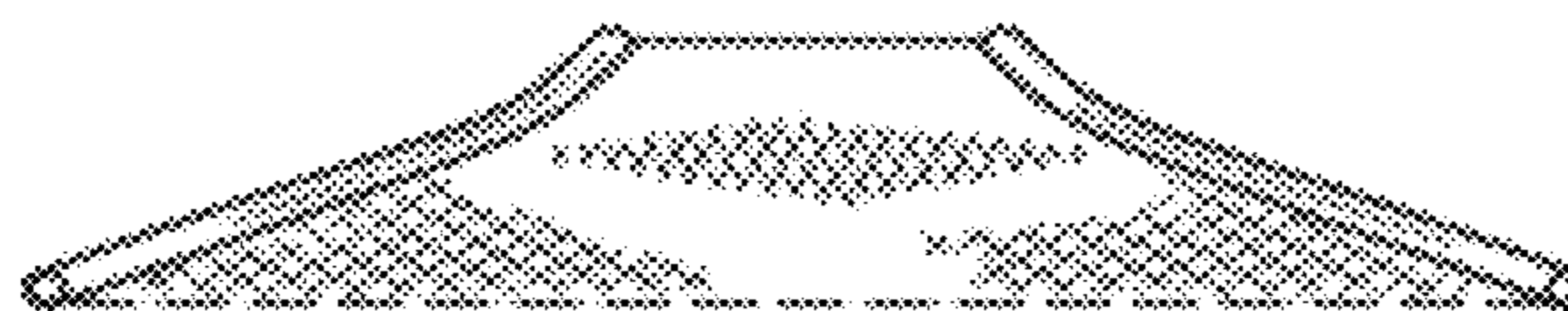


Fig. 20