



US00D678676S

(12) **United States Design Patent**
Bettua et al.

(10) **Patent No.:** **US D678,676 S**
(45) **Date of Patent:** **** Mar. 26, 2013**

(54) **PIECE OF LUGGAGE**

(75) Inventors: **Michael Bettua**, Hoboken, NJ (US);
Kiran Joseph, Chennai, IN (US)

(73) Assignee: **Max Mirani Investments, LLC**, New York, NY (US)

(**) Term: **14 Years**

(21) Appl. No.: **29/408,930**

(22) Filed: **Dec. 19, 2011**

(51) **LOC (9) Cl.** **03-01**

(52) **U.S. Cl.** **D3/276; D3/279**

(58) **Field of Classification Search** D3/273,
D3/276, 278–279, 283–285, 289; 190/13 F,
190/13 R, 14, 15 R, 15 A; 206/278, 286–287.1
See application file for complete search history.

(56) **References Cited**

U.S. PATENT DOCUMENTS

1,520,044	A	12/1924	Wilt	
3,038,513	A *	6/1962	Hamlett	D3/285
3,869,034	A	3/1975	Thornton, Jr.	
4,771,871	A	9/1988	Lambracht	
D393,153	S *	4/1998	Farrage	D3/279
6,076,671	A	6/2000	Malecki et al.	
D507,878	S *	8/2005	Kavovit	D3/289
6,976,566	B1	12/2005	Skriloff	
7,779,976	B2	8/2010	Mangano	
D628,382	S *	12/2010	Niehaus et al.	D3/276
D641,552	S *	7/2011	Sosnovsky	D3/283

D663,953 S * 7/2012 Chidiac D3/279
D666,414 S * 9/2012 Giovannoni D3/279
2011/0266107 A1* 11/2011 Hansen et al. 190/18 A

* cited by examiner

Primary Examiner — Jennifer Rivard

(74) *Attorney, Agent, or Firm* — PatentBest; Andrew McAleavey

(57) **CLAIM**

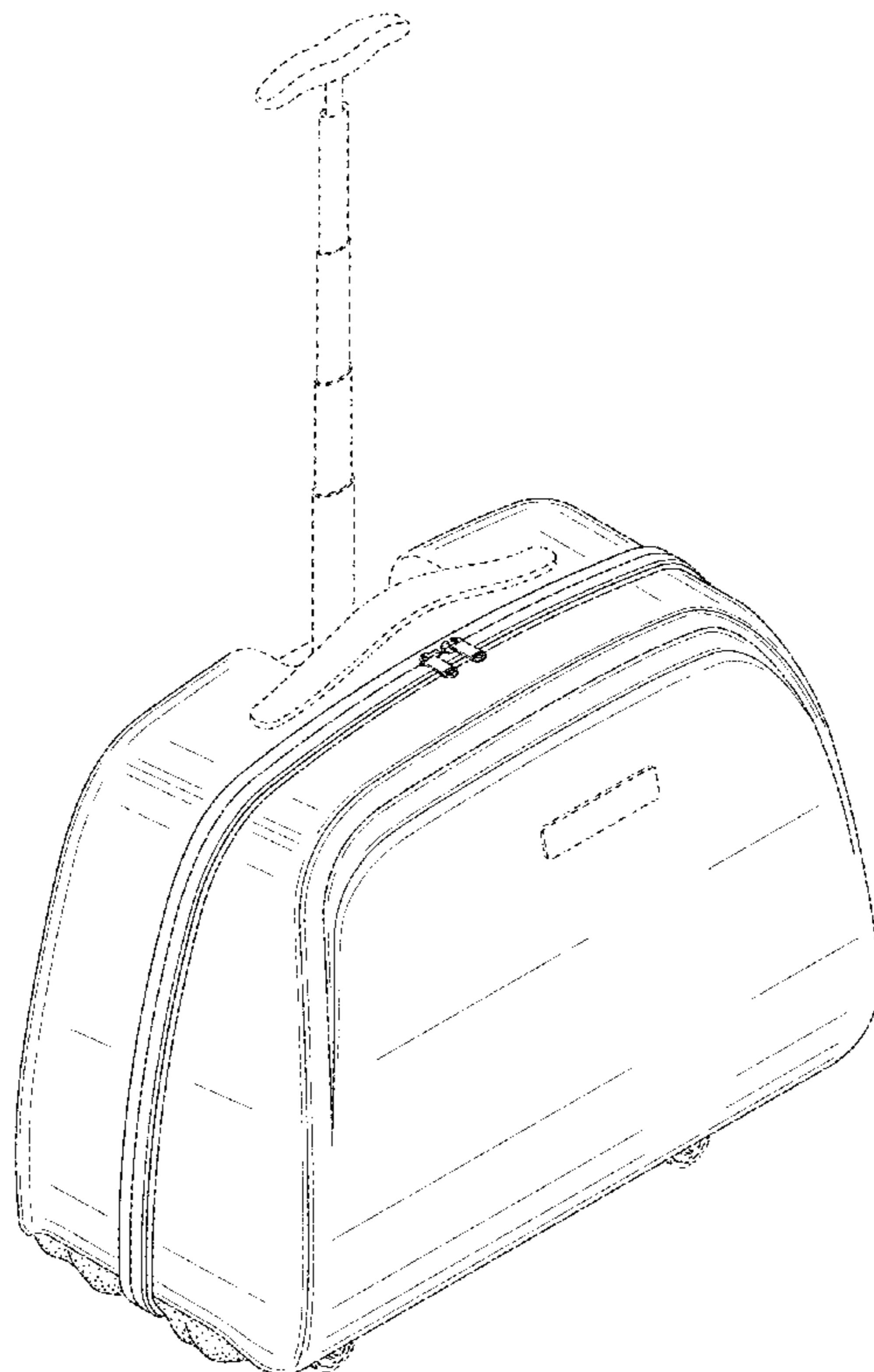
The ornamental design for a piece of luggage, as shown and described.

DESCRIPTION

FIG. 1 is a perspective view of the piece of luggage, illustrating our new design;
FIG. 2 is an elevational view of one side of the piece of luggage;
FIG. 3 is an elevational view of the other side of the piece of luggage;
FIG. 4 is a front elevational view of the piece of luggage;
FIG. 5 is a rear elevational view of the piece of luggage;
FIG. 6 is a top plan view of the piece of luggage; and,
FIG. 7 is a bottom plan view of the piece of luggage.

The broken lines immediately adjacent the shaded areas represent the bounds of the claimed design, while all other broken lines are directed to environment and are for illustrative purposes only; the broken lines form no part of the claimed design.

1 Claim, 6 Drawing Sheets



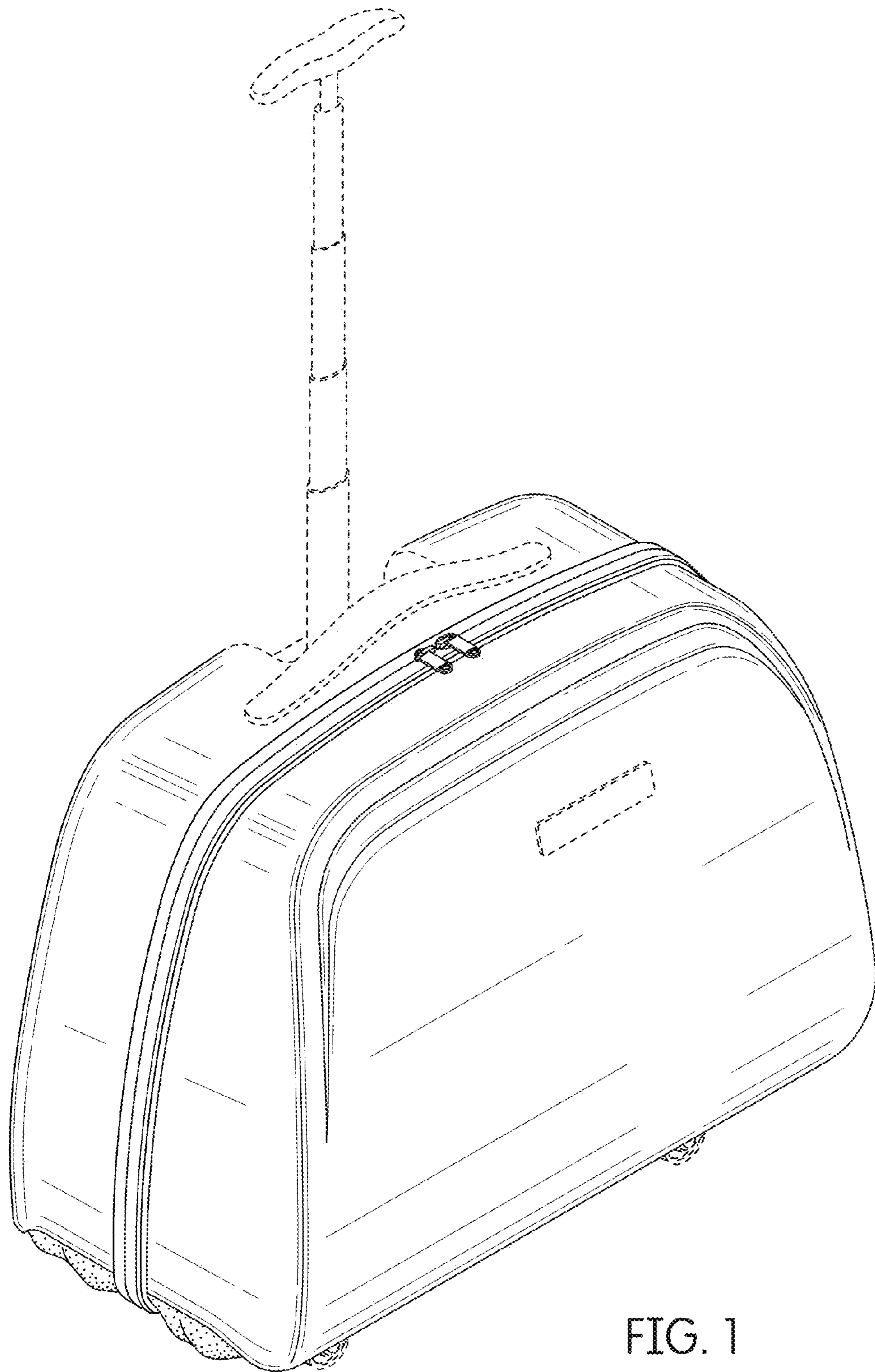


FIG. 1

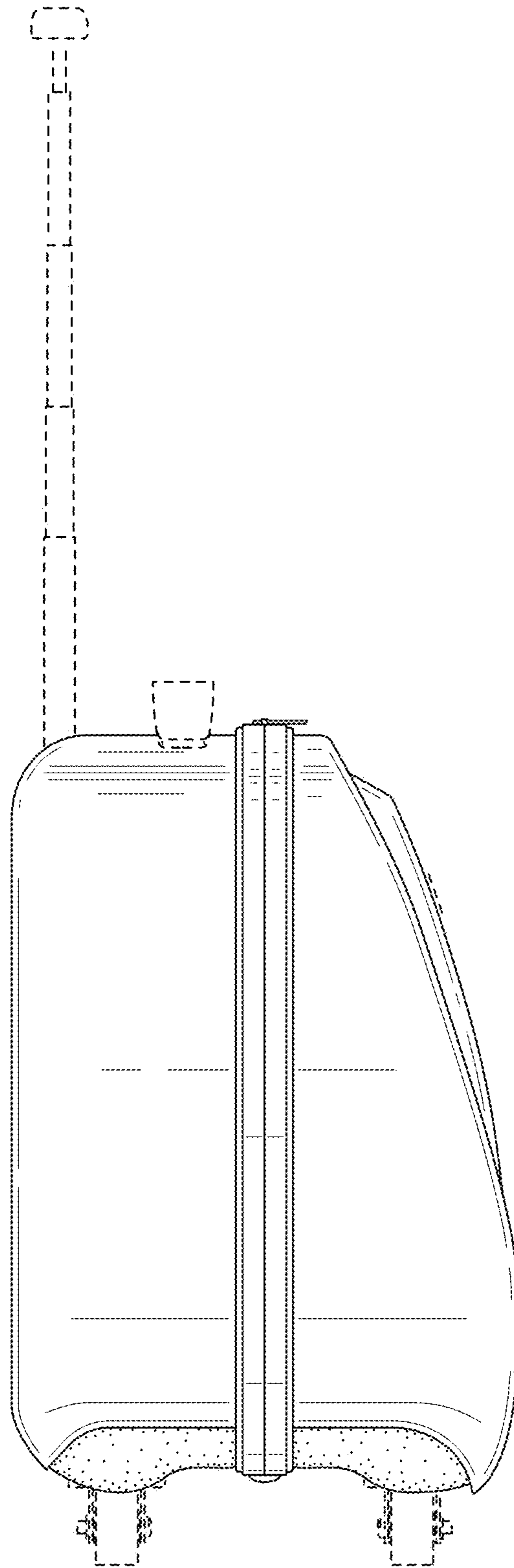


FIG. 2

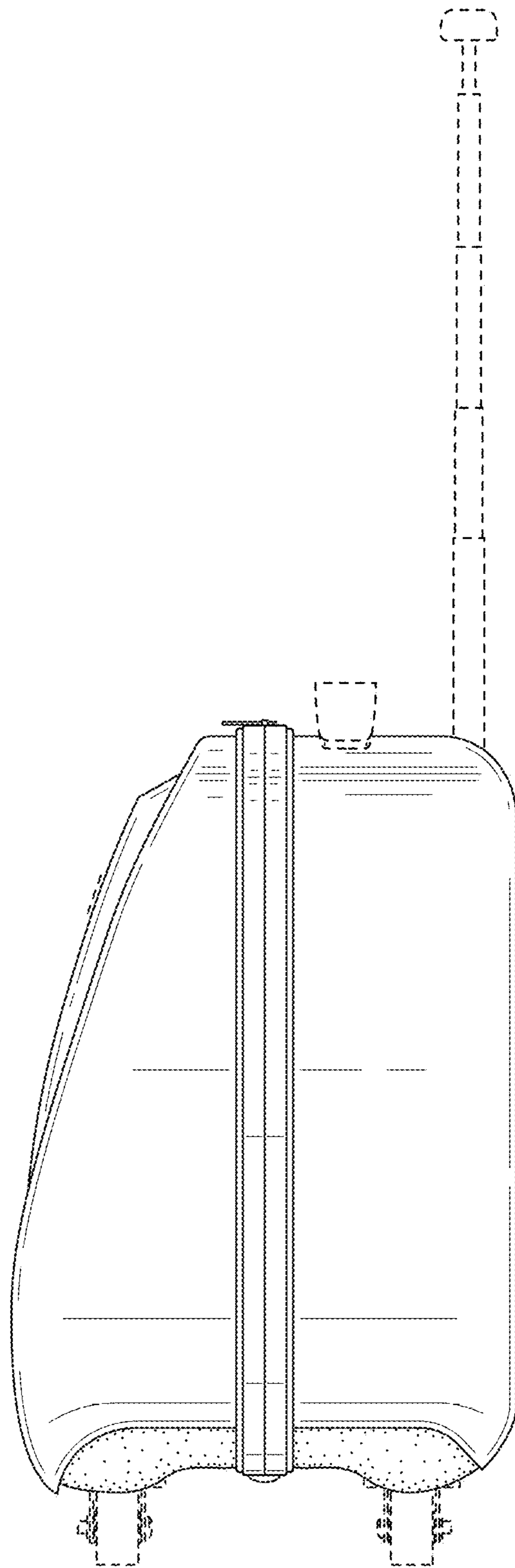


FIG. 3

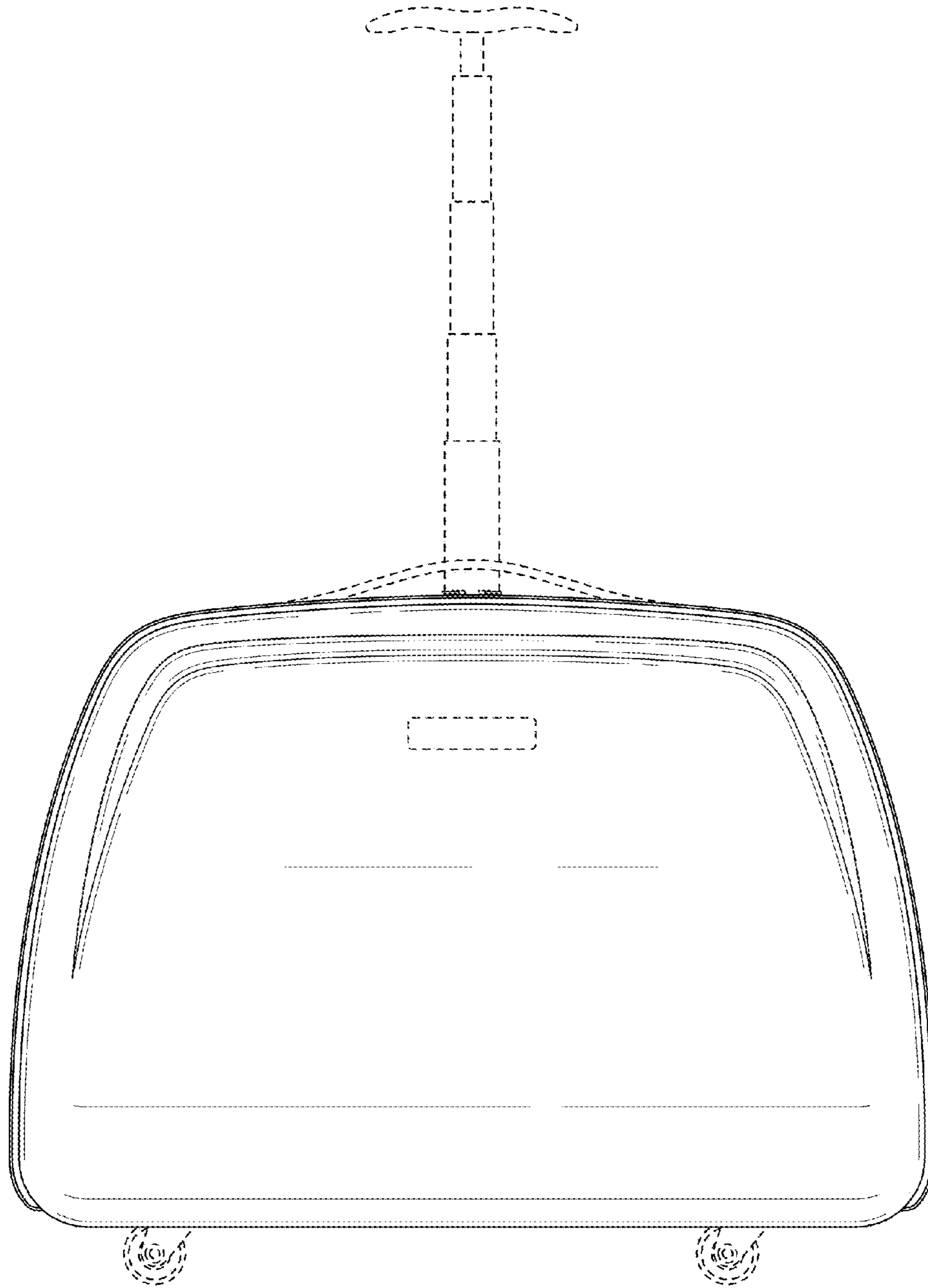


FIG. 4

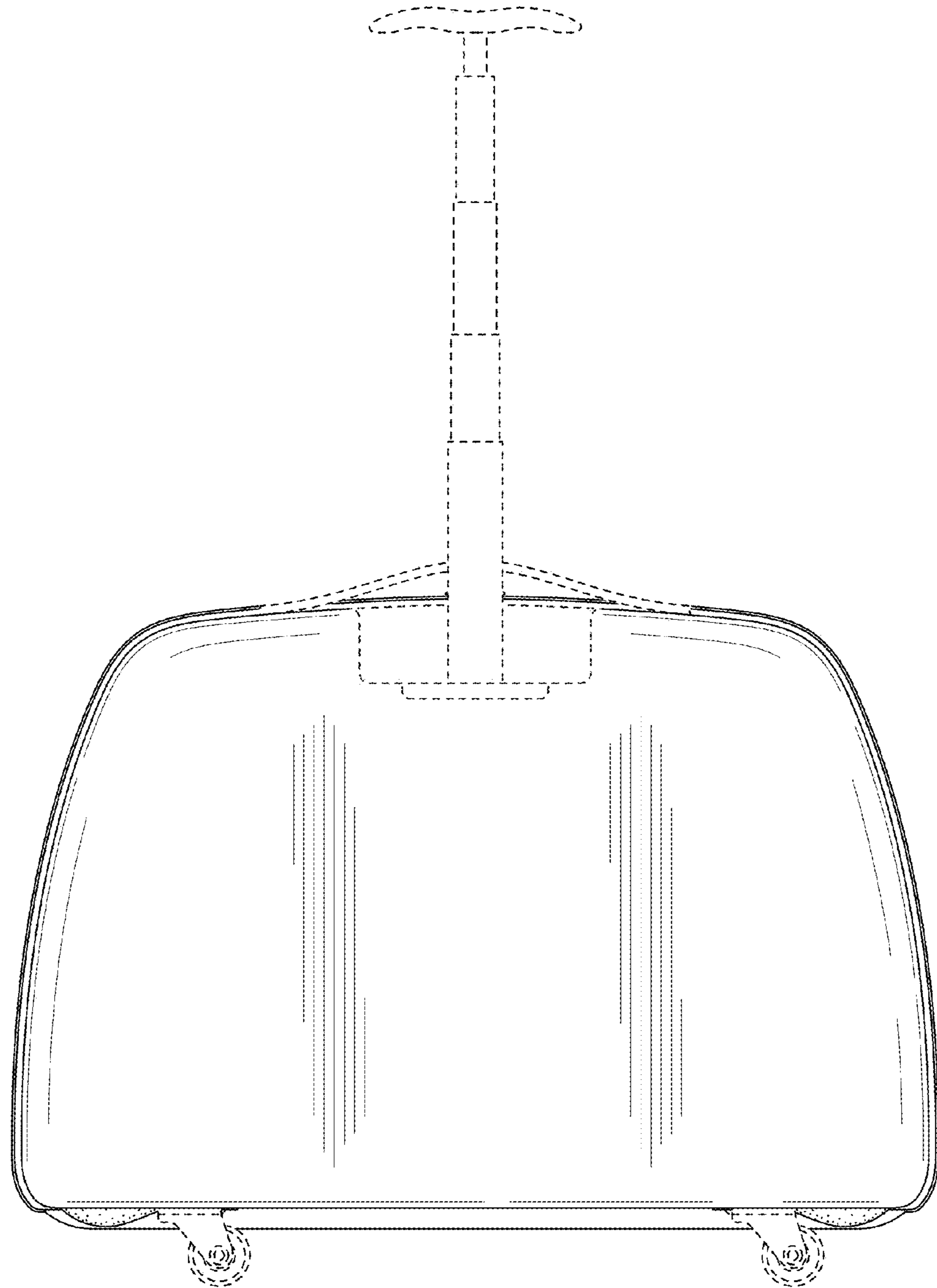


FIG. 5

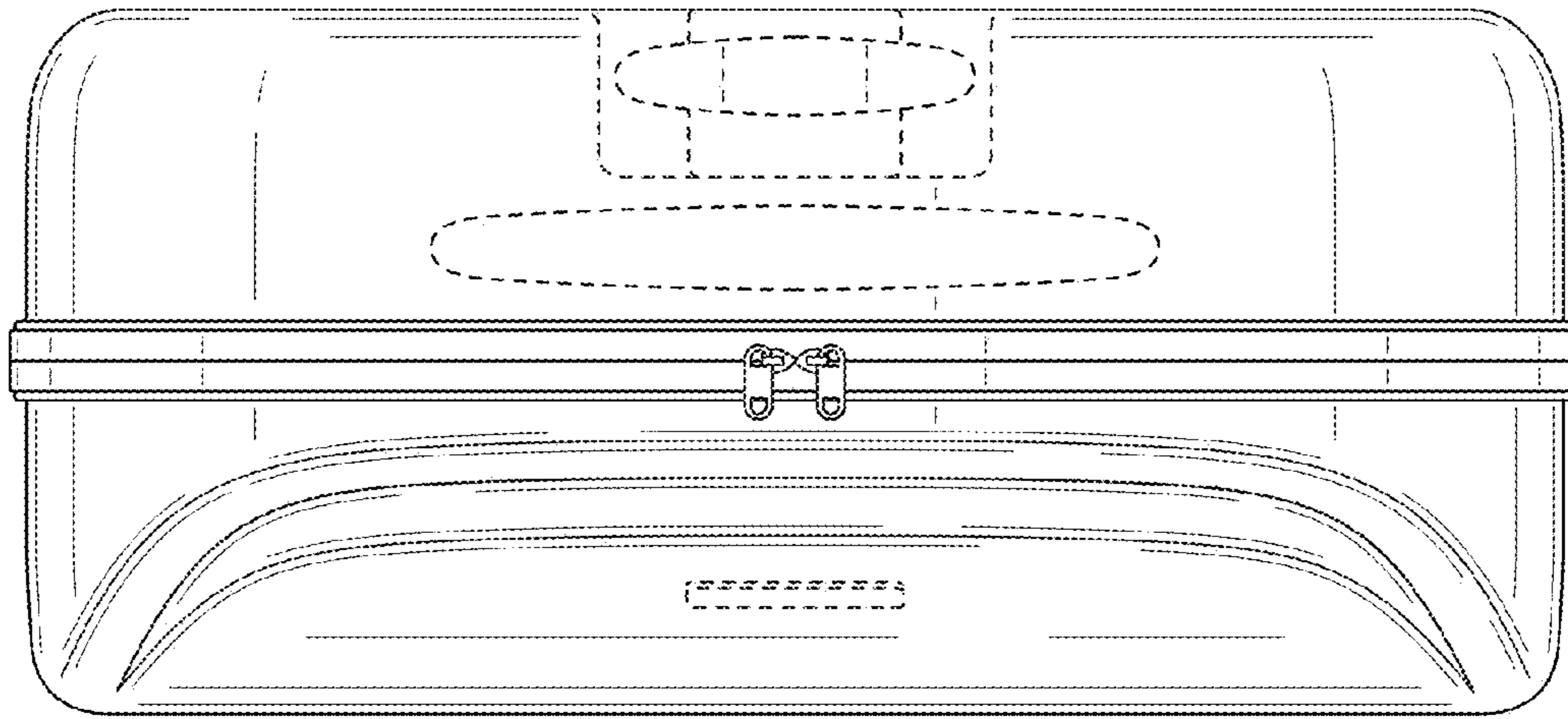


FIG. 6

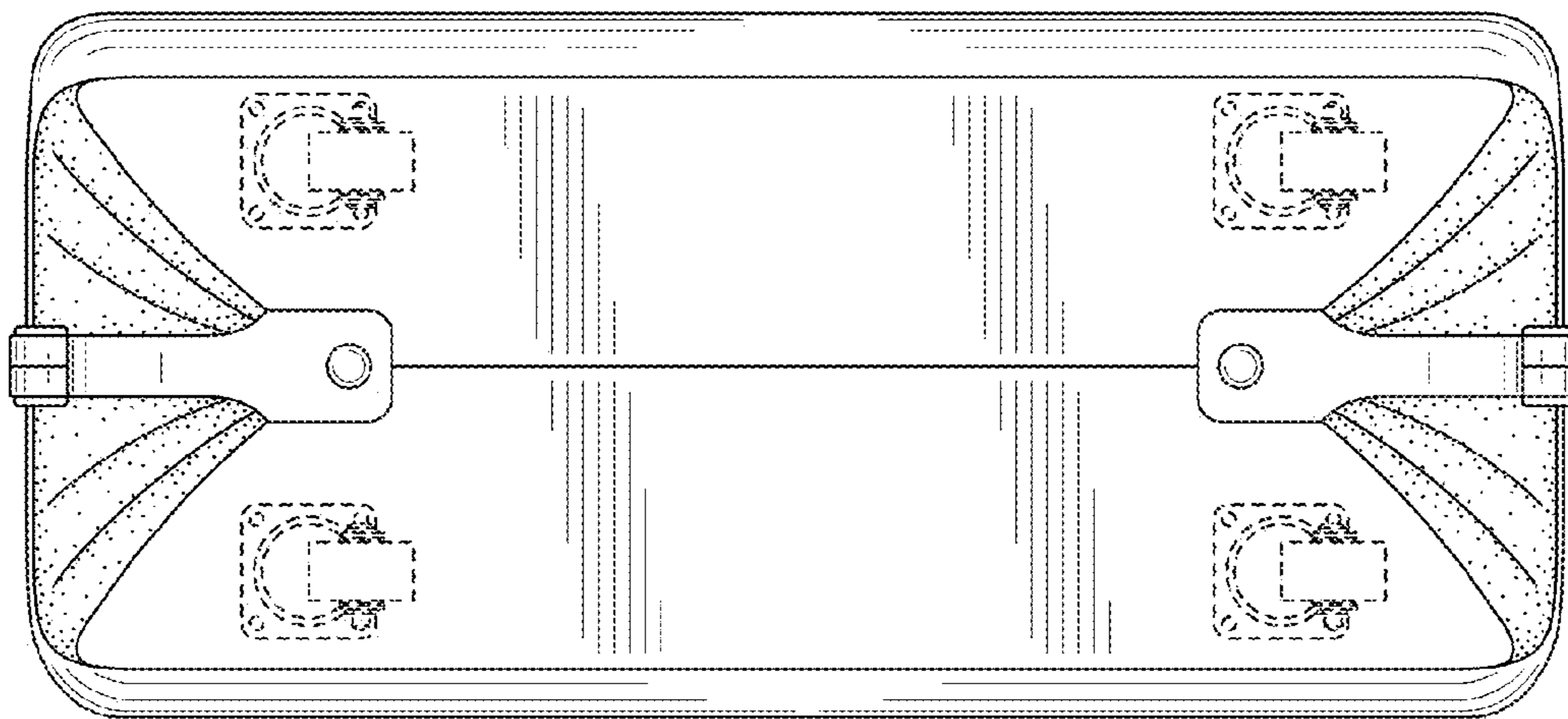


FIG. 7