



US00D678674S

(12) **United States Design Patent**  
**Ortego**

(10) **Patent No.:** **US D678,674 S**

(45) **Date of Patent:** **\*\* Mar. 26, 2013**

(54) **TACKLE BAG**

6,612,434 B1 \* 9/2003 Redzisz ..... 206/315.11  
D620,254 S \* 7/2010 Noraker ..... D3/260  
D627,161 S \* 11/2010 Tilby ..... D3/262

(76) Inventor: **Michael A. Ortego**, Miami, FL (US)

\* cited by examiner

(\*\*) Term: **14 Years**

*Primary Examiner* — Holly Baynham

(21) Appl. No.: **29/408,229**

(57) **CLAIM**

The ornamental design for a tackle bag, as shown and described.

(22) Filed: **Dec. 8, 2011**

**DESCRIPTION**

(51) **LOC (9) Cl.** ..... **03-01**

(52) **U.S. Cl.** ..... **D3/262**

(58) **Field of Classification Search** ..... D3/262;  
206/315.11

FIG. 1 is a perspective view of the tackle bag of the present invention showing the top side of the tackle bag;  
FIG. 2 is a perspective view of the tackle bag of the present invention showing the bottom side of the tackle bag; and,  
FIG. 3 is a perspective view of the present invention showing an item within the tackle bag.

See application file for complete search history.

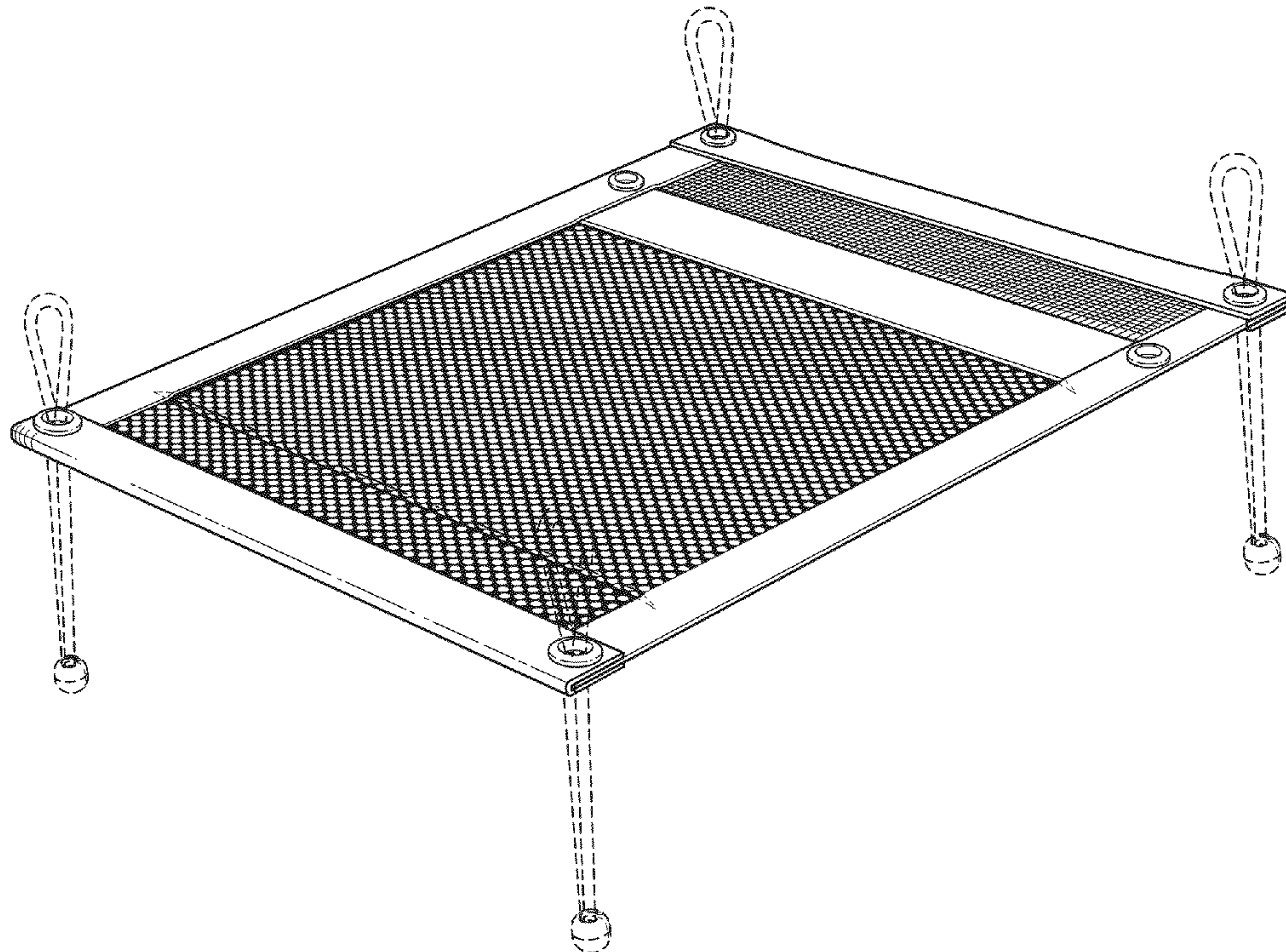
The broken lines showing tie loops are for the purposes of illustrating environment and form no part of the claimed design.

(56) **References Cited**

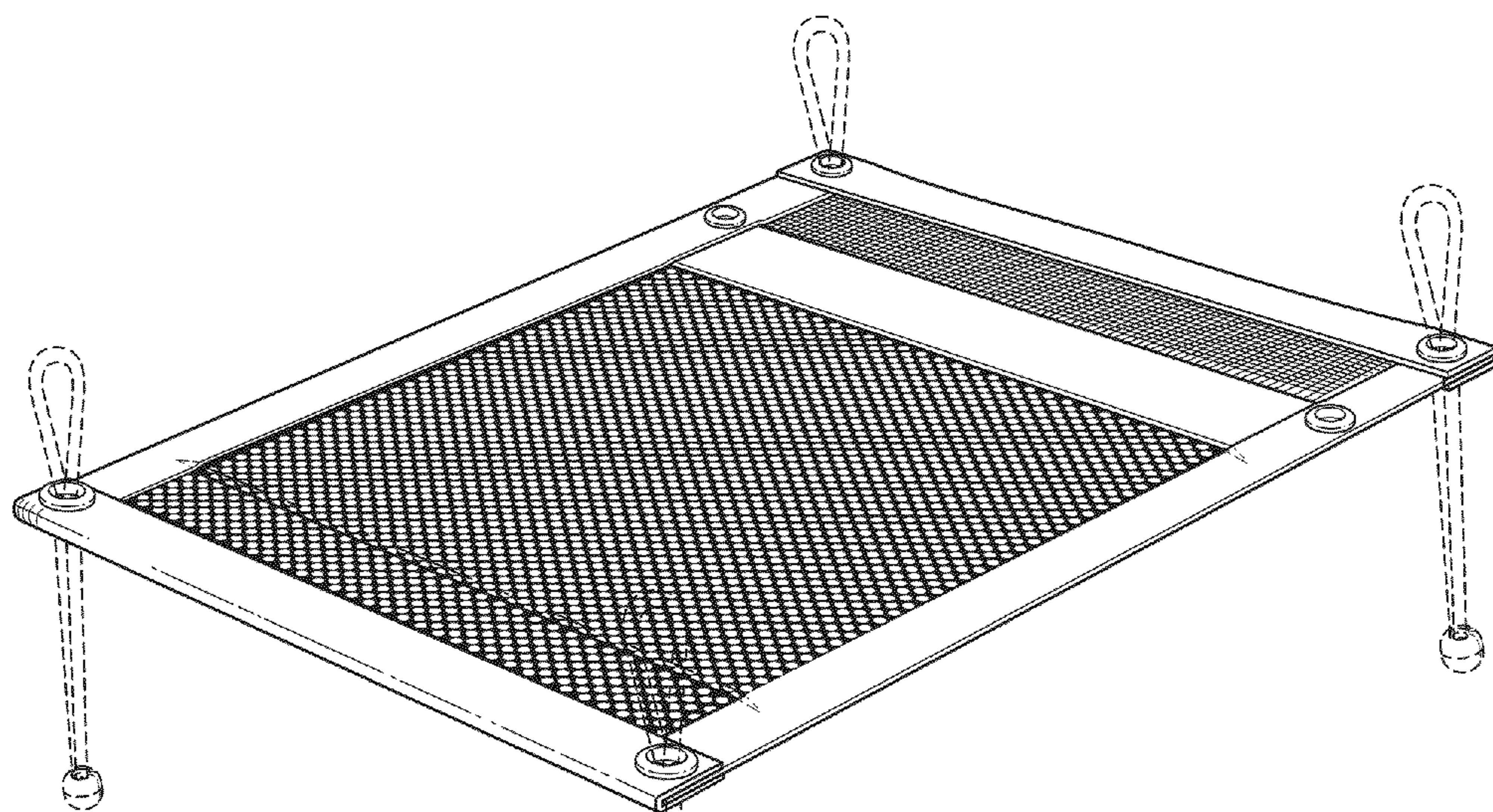
**U.S. PATENT DOCUMENTS**

3,181,751 A \* 5/1965 Wilson ..... 383/39  
4,151,938 A \* 5/1979 Barker et al. .... 224/183  
D294,083 S \* 2/1988 Collins ..... D3/284  
D347,521 S \* 6/1994 Elliott ..... D3/287

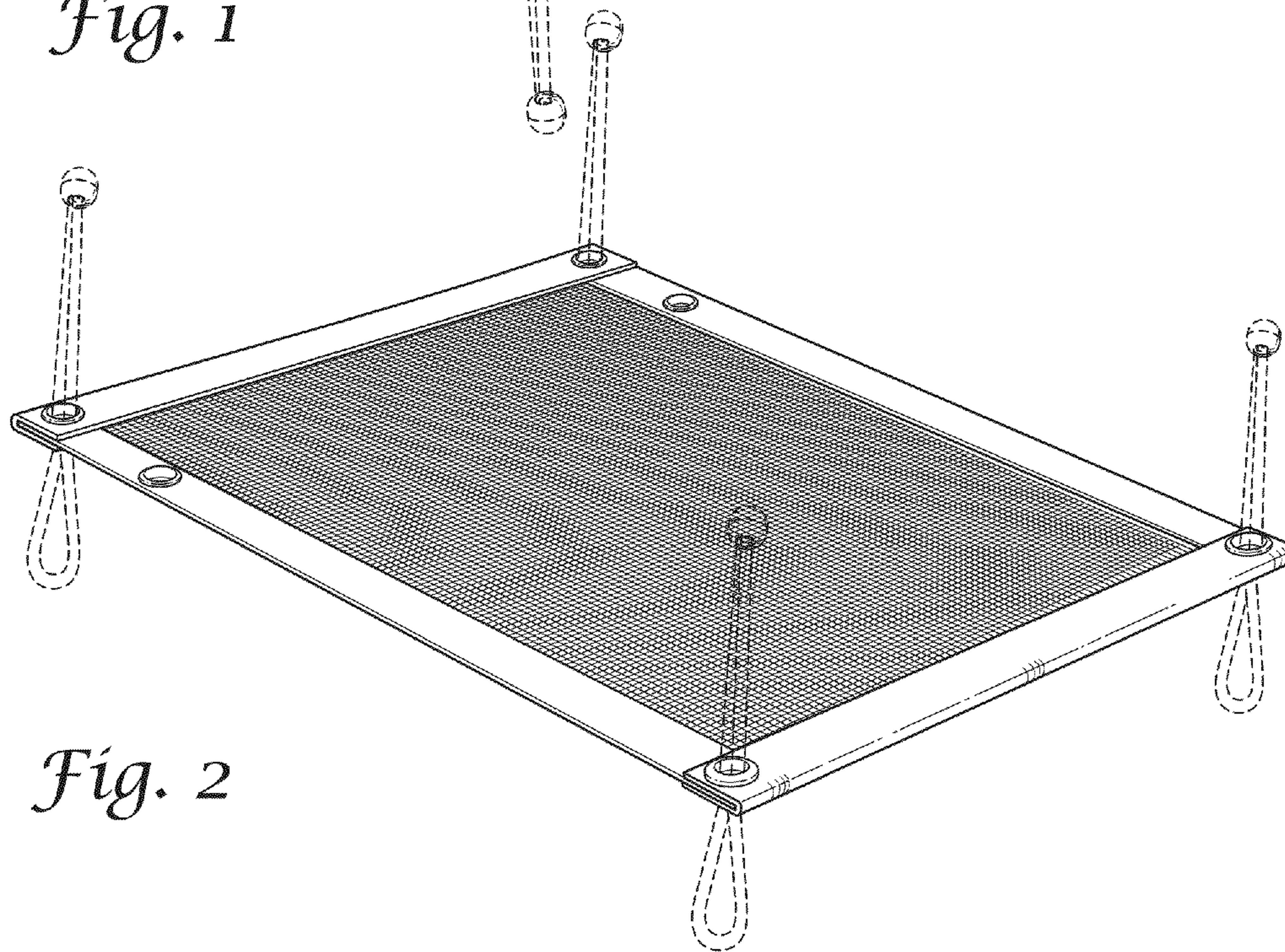
**1 Claim, 2 Drawing Sheets**





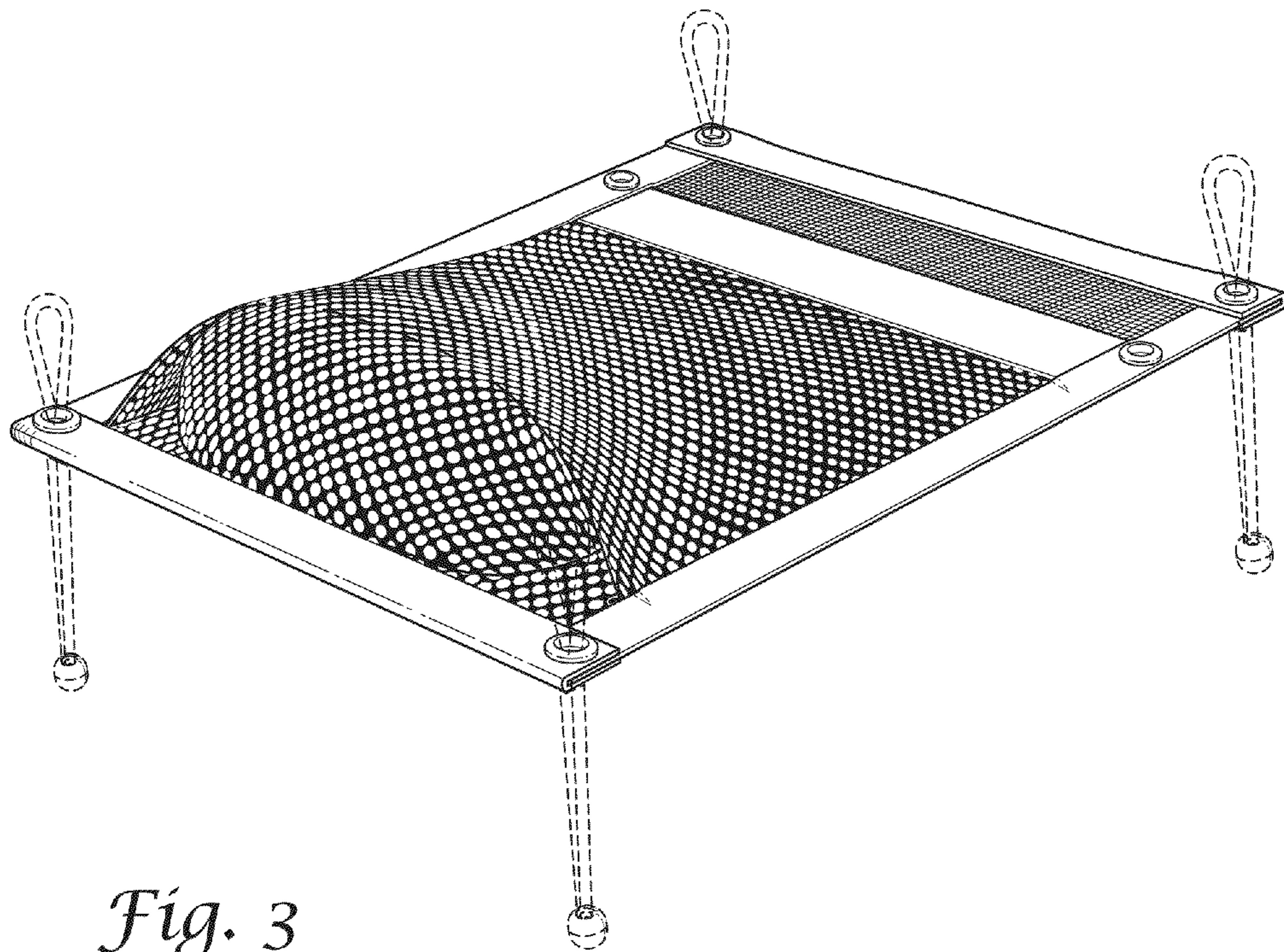


*Fig. 1*



*Fig. 2*





*Fig. 3*