



US00D678673S

(12) **United States Design Patent**
Funkner

(10) **Patent No.:** **US D678,673 S**
(45) **Date of Patent:** **** Mar. 26, 2013**

(54) **BASEBALL ACCESSORIES HOLDER**

FOREIGN PATENT DOCUMENTS

(76) Inventor: **Michael Funkner**, West Sacramento,
CA (US)

JP 1113699 A 4/1999

* cited by examiner

(**) Term: **14 Years**

Primary Examiner — Holly Baynham

(21) Appl. No.: **29/406,855**

(74) *Attorney, Agent, or Firm* — QuickPatents; Kevin Prince

(22) Filed: **Nov. 18, 2011**

(57) **CLAIM**

(51) **LOC (9) Cl.** **03-01**

I claim the ornamental design for a baseball accessories holder, as shown and described.

(52) **U.S. Cl.** **D3/254**

(58) **Field of Classification Search** D3/254,
D3/318; 206/315.1

DESCRIPTION

See application file for complete search history.

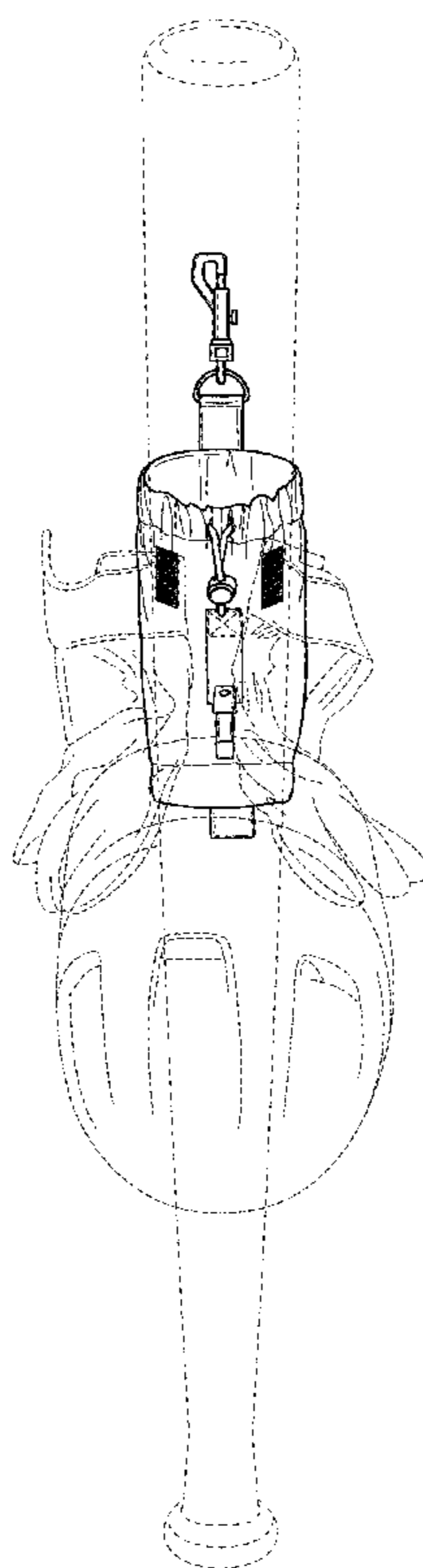
(56) **References Cited**

U.S. PATENT DOCUMENTS

4,793,532	A	12/1988	Cash	
5,074,508	A	12/1991	Powers	
5,294,005	A	3/1994	Hedges	
5,823,360	A	10/1998	Gorosave	
6,053,340	A	4/2000	Cameron	
6,659,412	B1	12/2003	Roach	
D536,870	S *	2/2007	Sabbagh et al.	D3/233
D547,059	S *	7/2007	Keller	D3/233
7,273,153	B1	9/2007	Kuniyoshi	
7,559,423	B2	7/2009	Vosloo	
7,784,624	B1	8/2010	Pinto	
2003/0062328	A1	4/2003	Millard	
2005/0194335	A1	9/2005	Hibner	
2006/0226321	A1	10/2006	Tracy	

FIG. 1 is a perspective view of a baseball accessories holder, showing my new design;
 FIG. 2 is an enlarged front elevational view thereof, illustrated in a flat configuration;
 FIG. 3 is a rear elevational view of FIG. 2;
 FIG. 4 is a left-side elevational view of FIG. 2;
 FIG. 5 is a right-side elevational view of FIG. 2;
 FIG. 6 is a top plan view of FIG. 2; and,
 FIG. 7 is a bottom plan view of FIG. 2.
 The broken lines showing a baseball bat, helmet and gloves in FIG. 1 are for the purposes of illustrating environment and form no part of the claimed design.
 The remaining broken lines represent stitching, and are part of the claimed design.

1 Claim, 4 Drawing Sheets



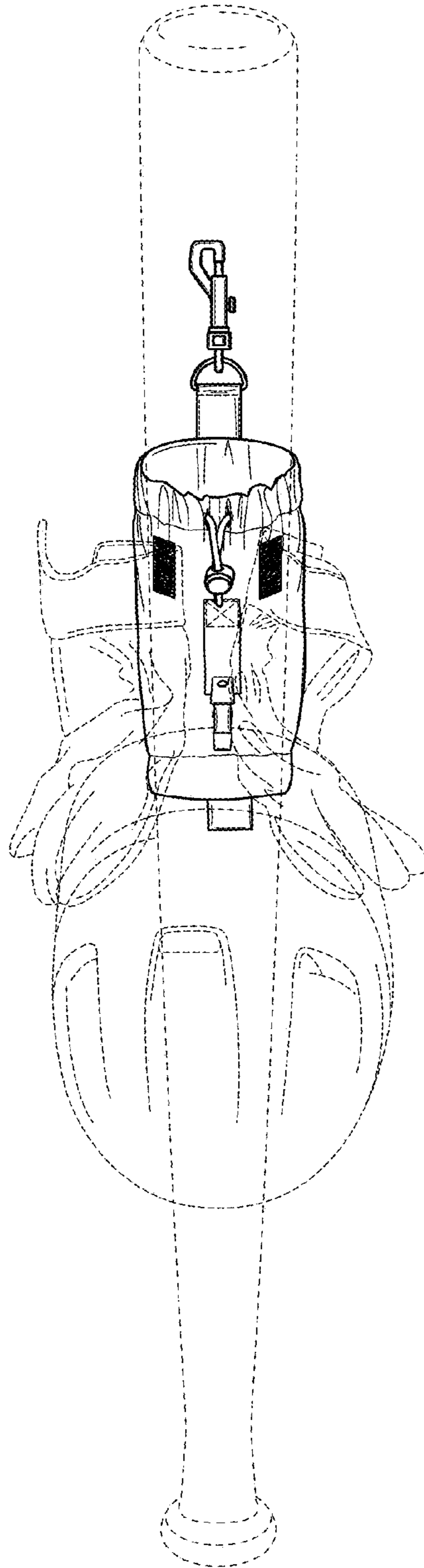


FIG. 1

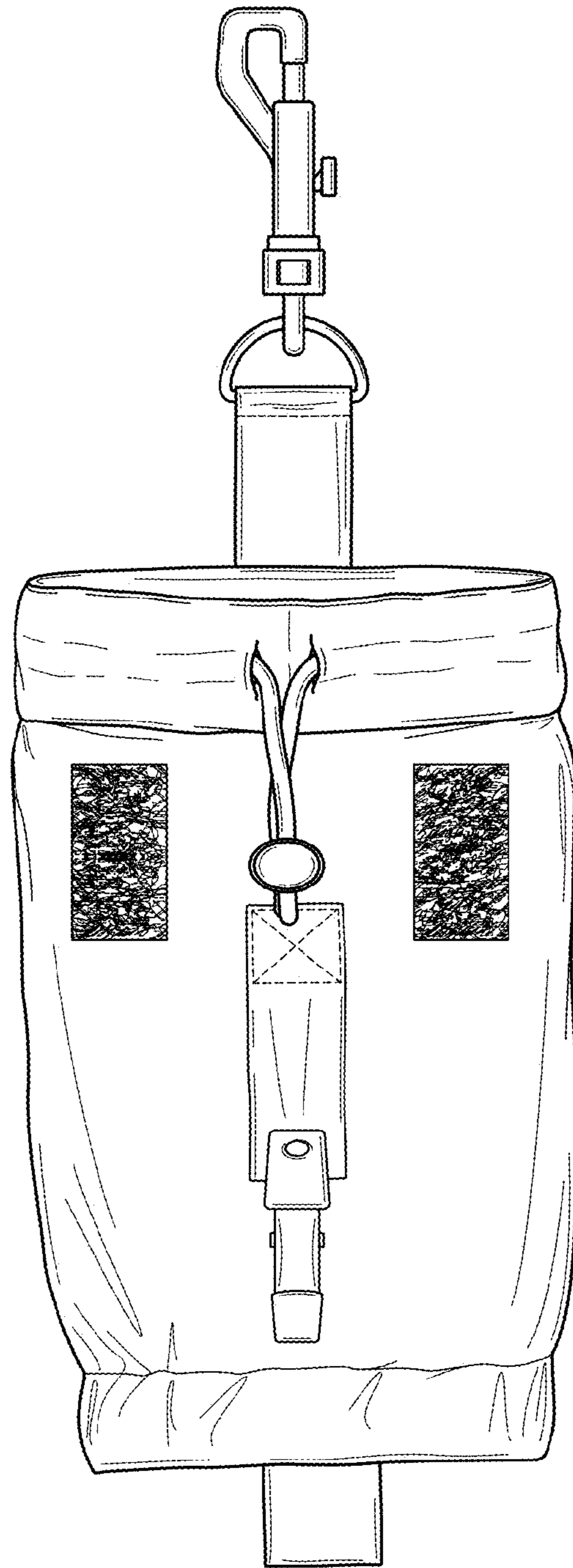


FIG. 2

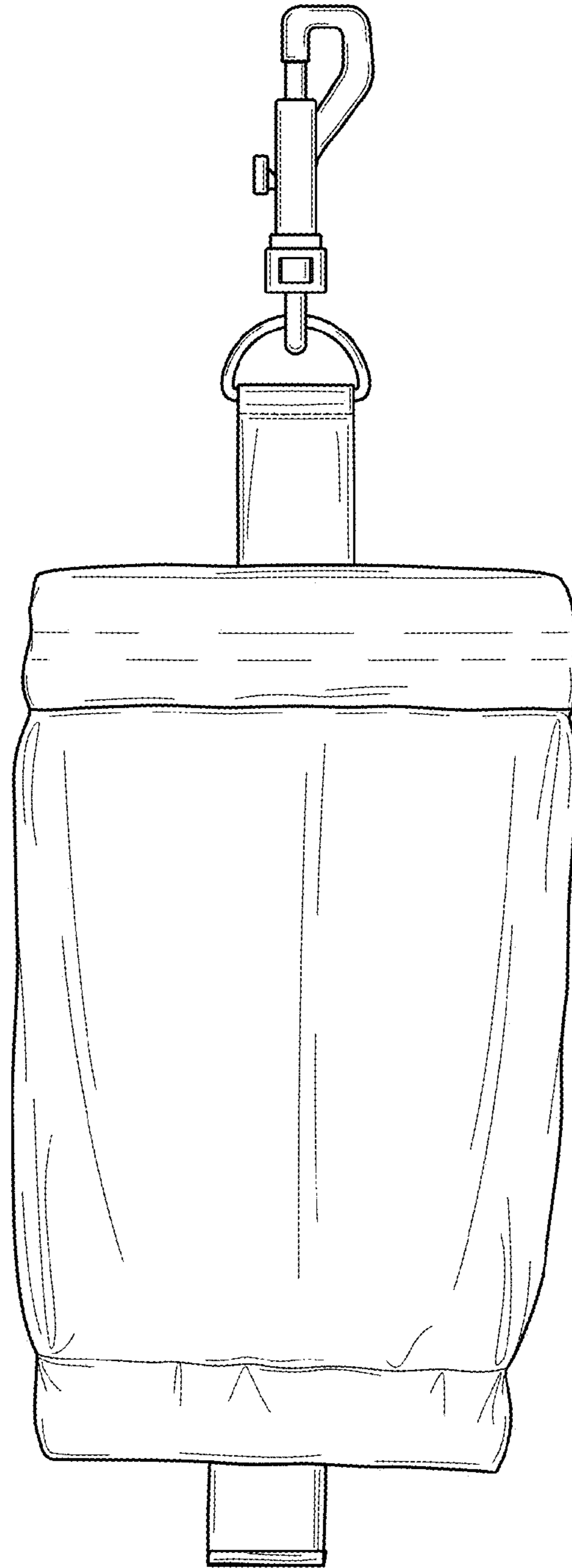


FIG. 3

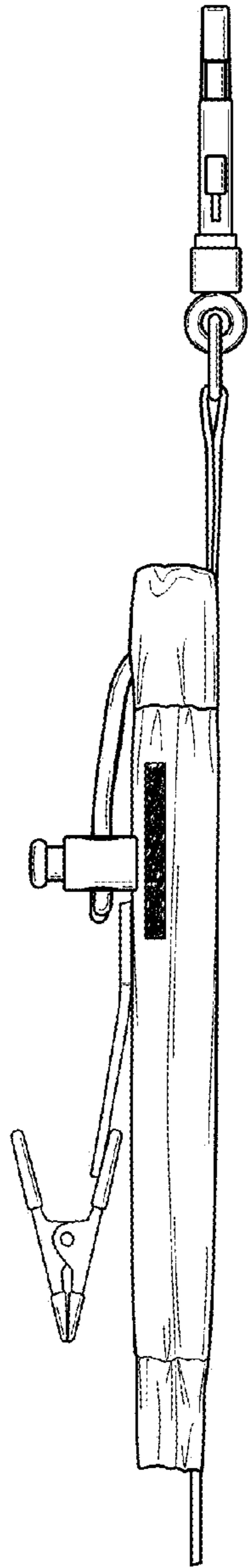


FIG. 4

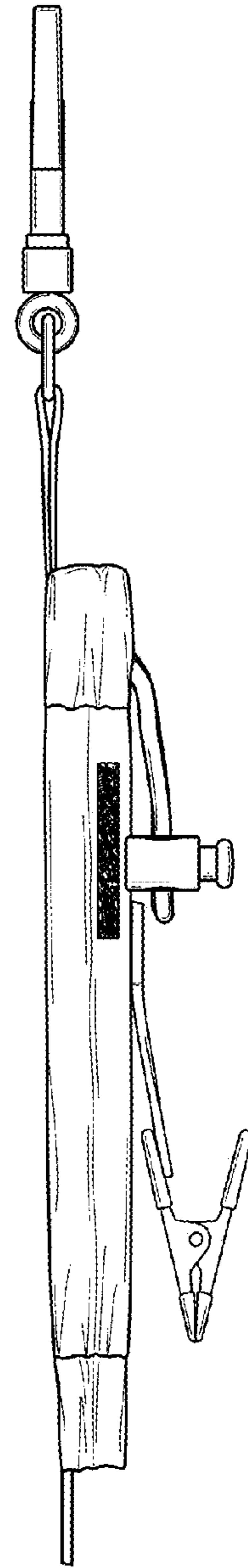


FIG. 5

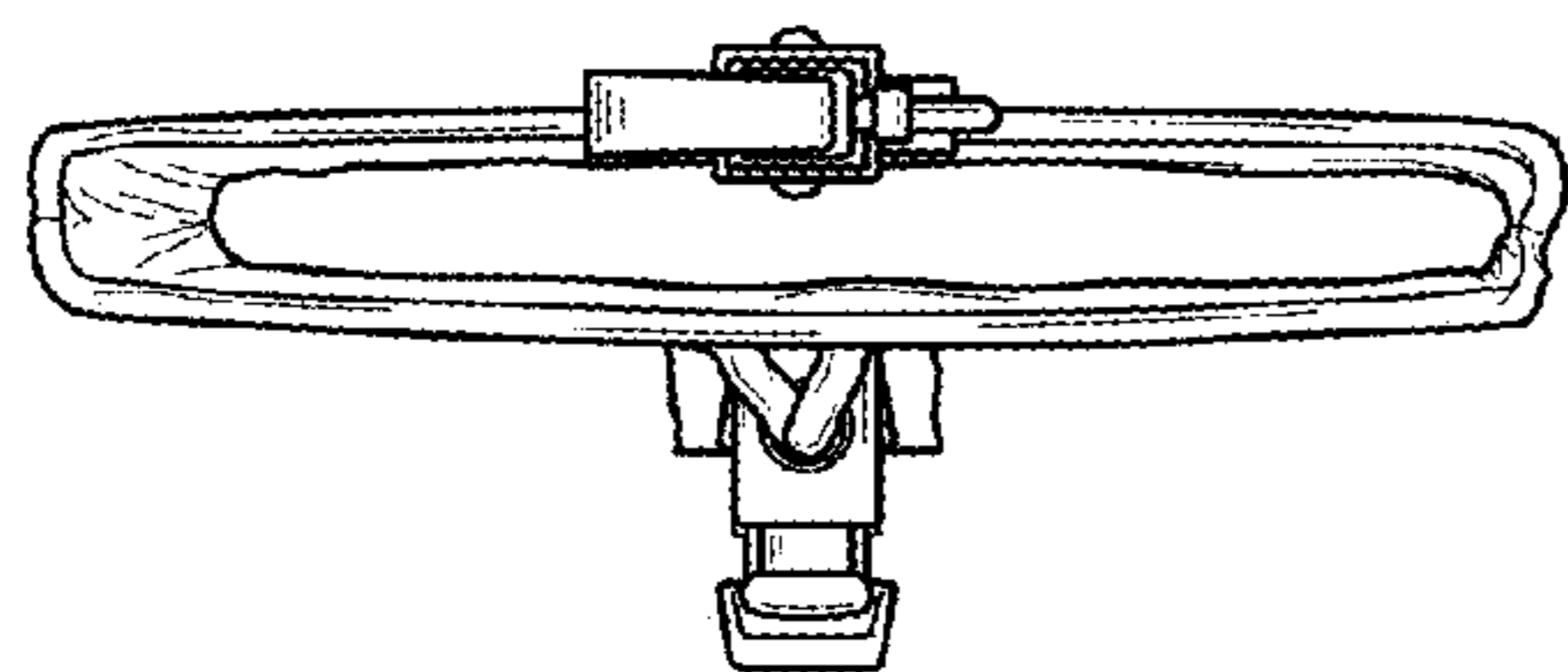


FIG. 6

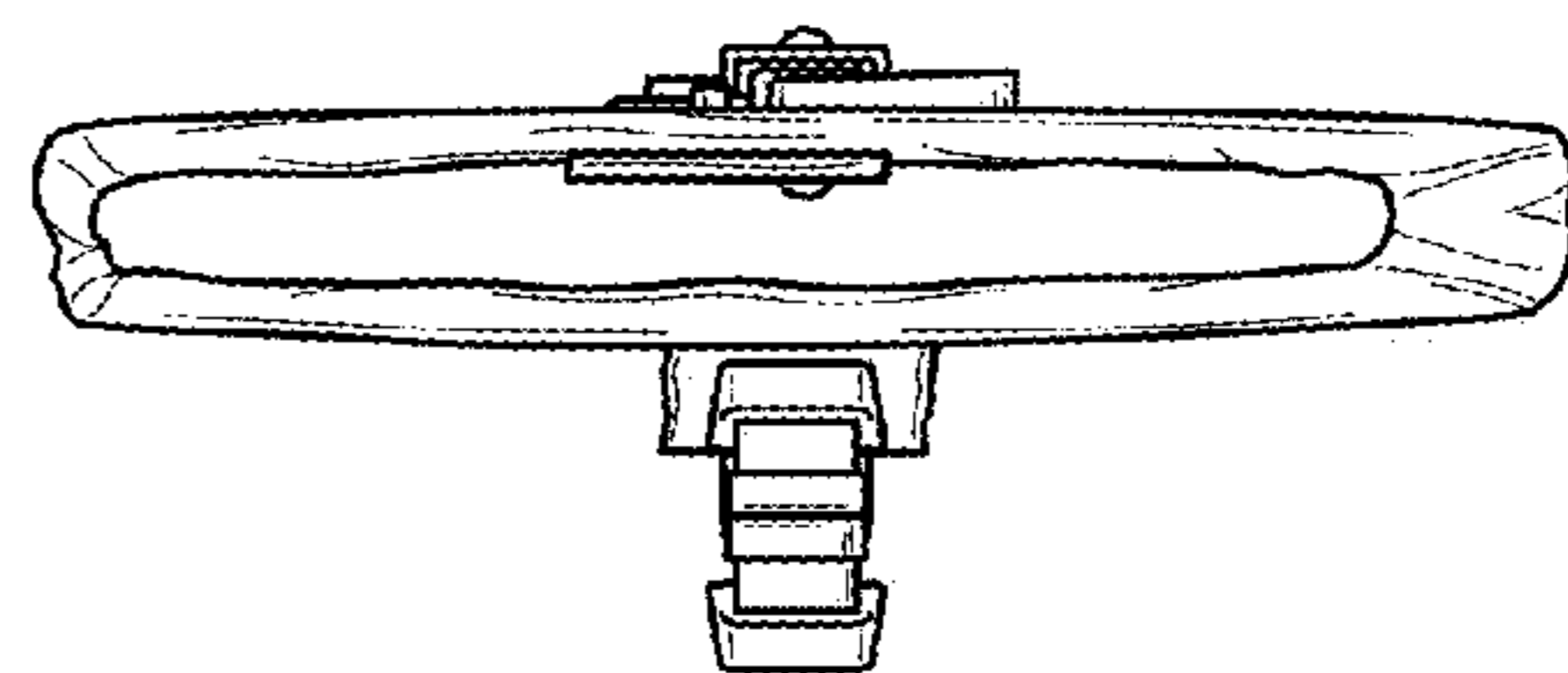


FIG. 7